

Idea RST - RST DUO

240V - 50Hz
230V - 50Hz
220V - 60Hz
208V - 60Hz
208V - 50Hz

IT Italiano
EN English
FR Français
DE Deutsch
ES Español



(IT)

(EN)

(FR)

(DE)

(ES)

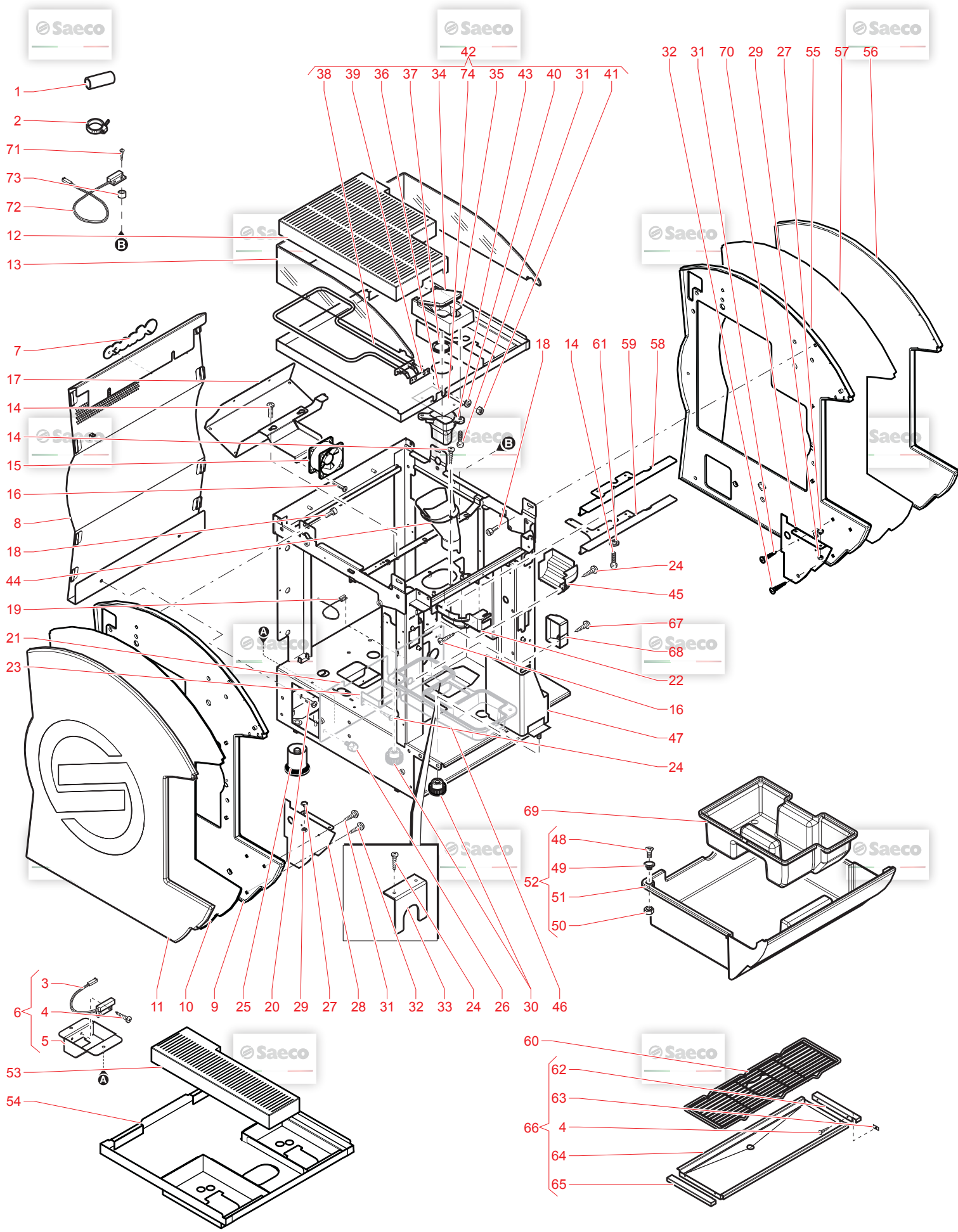
SOMMARIO

INDEX

VERZEICHNIS

INDICE

Tav. 01	Carrozeria	Bodywork	Carrosserie	Aufbau	Carrocería
Tav. 02	Erogazione	Dispensing	Distribution	Ausgabe	Dispensación
Tav. 03	Gruppo caffè 9 grammi	9-gram coffee group	Groupe café 9 grammes	Kaffeegruppe 9 Gramm	Grupo café 9 gramos
Tav. 04	Gruppo caffè 7 grammi	7-gram coffee group	Groupe café 7 grammes	Kaffeegruppe 7 Gramm	Grupo café 7 gramos
Tav. 05	Contentitore caffè e macinacaffè DX	Coffee container and coffee grinder RH	Récipient café et moulin à café de droite	Kaffebehälter und Kaffeemühle rechts	Contenedor de café y molinillo de café DCHA
Tav. 06	Contentitore caffè e macinacaffè sX	Coffee container and coffee grinder LH	Récipient café et moulin à café de gauche	Kaffebehälter und Kaffeemühle links	Contenedor de café y molinillo de café IZQDA
Tav. 07	Caldaia	Heater	Chaudière	Kessel	Caldera
Tav. 08	Rubinetto	Taps	Robinets	Ausgabehähne	Grifos
Tav. 09	Caldaia acqua e vapore	Water and steam heater	Chaudière eau et vapeur	Wasser- und Dampfkessel	Caldera de agua y vapor
Tav. 10	Pompe ed elettrovalvole	Pumps and solenoid valves	Pompes et électrovannes	Pumpen und Magnetventile	Bombas y electroválvulas
Tav. 11	Pompe ed elettrovalvole	Pumps and solenoid valves	Pompes et électrovannes	Pumpen und Magnetventile	Bombas y electroválvulas
	COFFEE	COFFEE	COFFEE	COFFEE	COFFEE
Tav. 12	Impianto idrico	Hydraulic system	Installation hydrique	Wassersystem	Instalación hídrica
Tav. 13	Impianto idrico COFFEE	Hydraulic system COFFEE	Installation hydrique COFFEE	Wassersystem COFFEE	Instalación hídrica COFFEE
Tav. 14	Componenti elettrici	Electrical parts	Composants électriques	Elektrische Komponenten	Componentes eléctricos
Tav. 15	Accessori	Accessories	Accessoires	Zubehör	Accesorios

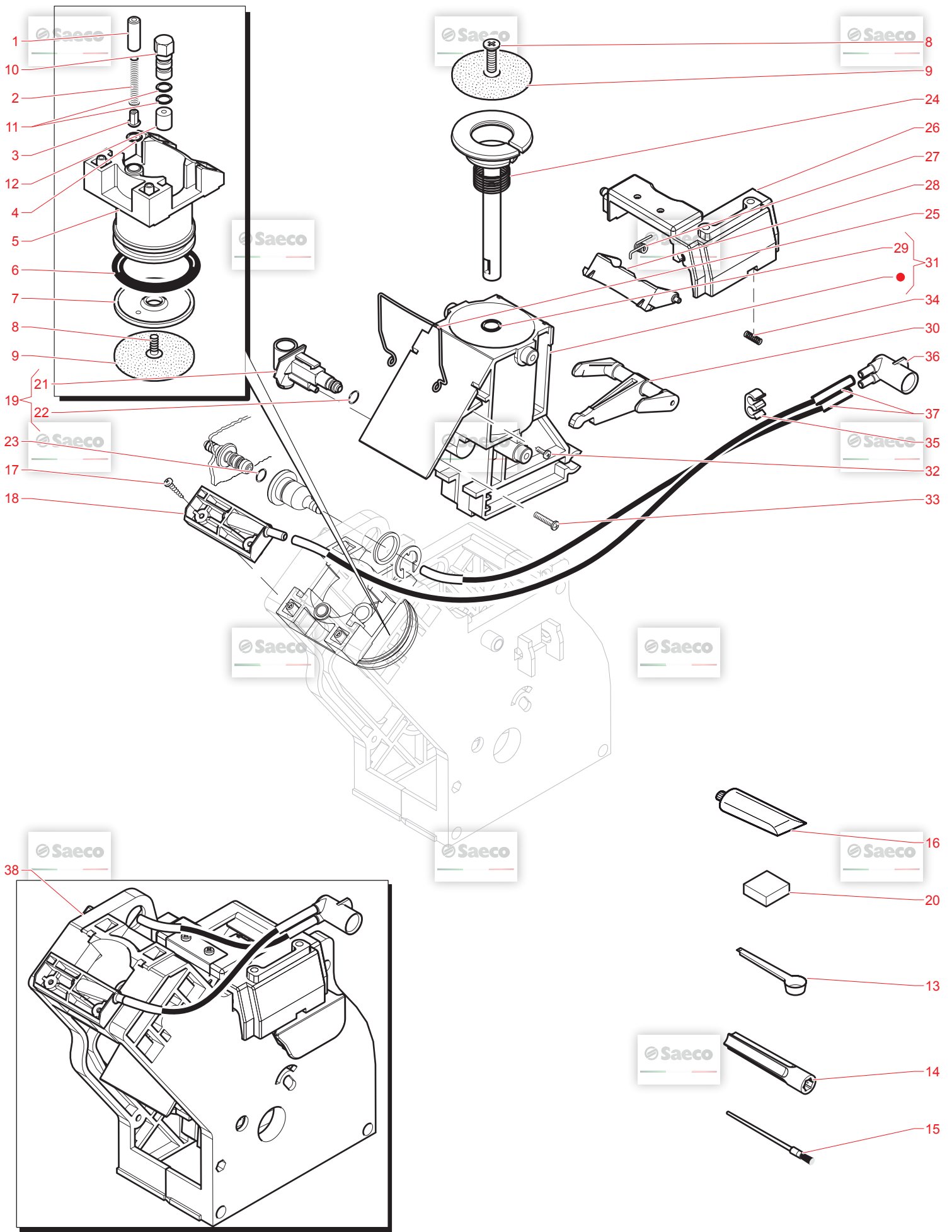


N.POSI	COD	I - DESCRIZIONE	UK - DESCRIPTION	F - DESCRIPTION	D - BEZEICHNUNG	E - DESCRIPCION	NOTE
1	DMI210	TUBO SCARICO GOMMA 16X21X1500	PIPE-1500 M.M.	PIPE-1500 M.M.	ABWASSERSCHLAUCH 16X21 L=1500	TUBO SCARICO GOMMA 16X21X1500	
2	NV999079	FASCETTA STRINGITUBO D=23-35/9	PIPE WRENCH BAIL D=23-35/9	PINCE D=23-35/9	Schlauchklemme D=23-35/9	FASCETTA STRINGITUBO D=23-35/9	
3	10305079	SENSOR CASSETTO FONDI L.540	SENSOR DUMP BOX L.540	SONDE L=540	REEDKONTAKT ZU SATZSCHUBLADE	VITE TCB 2.9X6.4 DIN 7981 BZ NIK	
4	129511903	VITE TCB 2.9X6.4 DIN 7981 BZ NIK	SCREW TCB 2.9X6.4 DIN 7981 BZ NI	VIS TCB 2.9X6.4 DIN 7981 BZ NICK	Blechschraube 2.9X6.4 NI	SUPPORTO REED CASSETTO FONDI	
5	1034.146	REED DRAWER COFFEE GROUNDS ASS.	DUMP BOX REED PLATE SUPPORT	CARTER, SONDE	Halterung für Reedschalter, MOL-R	ASS. REED CASSETTO FONDI	
6	1035079	ASS. REED CASSETTO FONDI	REED DRAWER COFFEE GROUNDS ASS.	REED DRAWER COFFEE GROUNDS ASS.	REED DRAWER COFFEE GROUNDS ASS.	ASS. REED CASSETTO FONDI	
7	1037.012	LOGO SAECO L.150	SAECO Trademark - Length 150	LOGO SAECO L=150	SAECO Logo d=150	LOGO SAECO L.150	
8	10334697	ASS.PANN.POSTER. PANTHERA	PANTHER REAR PANEL ASS.	PANNEAU ARRIERE PANTHER	PANTHER REAR PANEL ASS.	ASS.PANN.POSTER. PANTHERA	
9	10336099	FIANCO SX INTERNO CSA	CSA LEFT SIDE INSIDE	CSA LEFT SIDE INSIDE	CSA LEFT SIDE INSIDE	FIANCO SX INTERNO CSA	
10	10336357	FIANCO SX INTERNO PANTERA	LEFT SIDE INSIDE PANTERA	LEFT SIDE INSIDE PANTERA	LEFT SIDE INSIDE PANTERA	FIANCO SX INTERNO PANTERA	
11	10368093	LAMIERA TAGLIAFIAMME CSA	CSA PLATE SIZE	CSA PLATE SIZE	CSA PLATE SIZE	LAMIERA TAGLIAFIAMME CSA	
12	10368922	FIANCO E LOGO SAECO SX BLK	BLK SAECO LOGO AND SIDE LEFT	BLK SAECO LOGO AND SIDE LEFT	BLK SAECO LOGO AND SIDE LEFT	FIANCO E LOGO SAECO SX BLK	
13	10369223	FIANCO E LOGO SAECO SX BLU	BLU SAECO LOGO AND SIDE LEFT	BLU SAECO LOGO AND SIDE LEFT	BLU SAECO LOGO AND SIDE LEFT	FIANCO E LOGO SAECO SX BLU	
14	10369224	FIANCO E LOGO SAECO SX WALNUT	WALNUT SAECO LOGO AND SIDE LEFT	WALNUT SAECO LOGO AND SIDE LEFT	WALNUT SAECO LOGO AND SIDE LEFT	FIANCO E LOGO SAECO SX WALNUT	
15	10369225	FIANCO E LOGO SAECO SX RED	RED SAECO LOGO AND SIDE LEFT	RED SAECO LOGO AND SIDE LEFT	RED SAECO LOGO AND SIDE LEFT	FIANCO E LOGO SAECO SX RED	
16	10369226	FIANCO E LOGO SAECO SX WHITE	WHITE SAECO LOGO AND SIDE LEFT	WHITE SAECO LOGO AND SIDE LEFT	WHITE SAECO LOGO AND SIDE LEFT	FIANCO E LOGO SAECO SX WHITE	
17	10350982	GRIGLIA SCALDATAZZE IDEA RST	IDEA RST CUP WARMING TRY GRATE	IDEA RST CUP WARMING TRY GRATE	IDEA RST CUP WARMING TRY GRATE	GRIGLIA SCALDATAZZE IDEA RST	
18	1035079	VITE TCB M4X10 UNI 7687 ZNP	TCB SCREW M4X10 UNI 7687 ZNP	VIS TCB M4X10 UNI 7687	Schraube M4x10	VITE TCB M4X10 UNI 7687 ZNP	
19	129824002	VENTOLA SUNON KDE1206PHV3 CAVI L	FAN SUNON KDE1206PHV3 CABLE L.73	FAN SUNON KDE1206PHV3 CABLE L.73	FAN SUNON KDE1206PHV3 CABLE L.73	VENTOLA SUNON KDE1206PHV3 CAVI L	
20	U109.021	VITE AUT.TCB 3.5X22 DIN 7981 C N	screw AUT.TCB 3.5X22 DIN 7981 C	VIS AUT.TCB 3.5X22 DIN 7981 C	Linsen-Blechschr.3.5X22 DIN 7981 C	VITE AUT.TCB 3.5X22 DIN 7981 C N	
21	10350004	SUPPORTO SCHEDA FILTRO BLK	BLK DUO SUPPORT FILTER CARD	BLK DUO SUPPORT FILTER CARD	BLK DUO SUPPORT FILTER CARD	SUPPORTO SCHEDA FILTRO BLK	
22	10350416	SUPPORTO SCHEDA FILTRO DUO BLK	BLK DUO SUPPORT FILTER CARD	BLK DUO SUPPORT FILTER CARD	BLK DUO SUPPORT FILTER CARD	SUPPORTO SCHEDA FILTRO DUO BLK	
23	10202039	VITE TCB M4X12 ZN-B	SCREW TCB TORX 20 M4X12 ZN-B	VIS TCB M4X12 ZN-B	Schraube 3.5x48x28 TORX	VITE TCB M4X12 ZN-B	
24	10209258	SENSORE REED 2 POLI MOLEX L.840	REED SENSOR 2 POLE MOLEX L.840	SONDE REED 2 POLES L=840	REEDKONTAKT ZU FRONTUR	VITE TCB M4X8 UNI 7687 ZNP	
25	129823802	VITE TCB M4X8 UNI 7687 ZNP	TCB SCREW M4X8 UNI 7687 ZNP	VIS TCB M4X8 UNI 6984	SCHRAUBE M4X8	VITE TCB M4X8 UNI 7687 ZNP	
26	10077871	CHIUSURA BASAMENTO DOPPIO CONT.N	BASE CLOSING DOUBLE CONTAINER BL	PLAQUE NOIRE DE FERMETURE	ABSCHLUSSBLECH ZU SATZSCHUBLADE	PROTEZIONE INFERIORE CALD.CAFFE	
27	10079796	CARTER RIPARO MACINACAFFE NERO	COFFEEGRINDER CASING GUARD BLACK	PROTECTION MOULIN A CAFE DROITE	ABDECKUNG MAHLWERK RECHTS	PIEDE FISSO PLASTIC/INOX M10 ANT	
28	1007868	PROTEZIONE INFERIORE CALD.CAFFE	LOWER PROTECTION BOILER COFFEE B	PROTECTION CHAUDIERE	ABDECKUNG ZU ABTROPFSCHALE	FISSAGGIO CHIUSURA BASAMENTO	
29	U110.003	VITE AUT.TCB 3.5X9.5 DIN 7981 F	screw AUT.TCB 3.5X9.5 DIN 7981 F	PIED	Linsen-Blechschr. 3.5X9.5 DIN 79	SUPPORTO SX CON INSERTI BLK	
30	12000672	PIEDE FISSO PLASTIC/INOX M10 ANT	FIXING CLOSING BASE	ECROU DE FIXATION	Gerätelöse Neu IDEA	DADO ESAGONALE M4 UNI 5589 ZN	
31	1034.093	ASS. VASCA SUPERIORE SILICONATA	ASS. FIXING MAGNET	FIXATION	Magnetbefestigung kpl.	VOLANTINO ZIGRINATO D.18 BOCC.O.T	
32	1034.060	SUPPORTO SX CON INSERTI BLK	LX SUPPORT WITH INSERT BLK	ECROU HEXAGONAL M4 UNI 5589 ZN	LX SUPPORT WITH INSERT BLK	PANELVIT TSP 3.5X12 DIN 7505	
33	U302.003	DADO ESAGONALE M4 UNI 5589 ZN	GALV.NUT HEXAGONAL M4 UNI 5589 Z	VIS TCB 3.5X12	Knob WITH BUSH M5	PANELVIT TSP 3.5X12 DIN 7505 A Z	
34	12002034	VOLANTINO ZIGRINATO D.18 BOCC.O.T	KNOB WITH BUSH M5	KNOB WITH BUSH M5	Knob WITH BUSH M5	FISSAGGIO TUBO DI SCARICO	
35	129660902	PANELVIT TCB 3.5X12 DIN 7505	PANELVIT TCB SCREW 3.5X12 D 7505	VIS TCB 3.5X12	Blechschraube St 3.5x12-12.1 verz.	SPORTELLINO POLVERE NERO	
36	U142.008	PANELVIT TSP 3.5X12 DIN 7505 A Z	PANELVIT TSP 3.5X12 DIN 7505 A G	VIS TCB 3.5X12	Schraube TSP 3.5x12 DIN 7505	TRAMOGGIA CAFFE IN POLVERE	
37	1034.091	FISSAGGIO TUBO DI SCARICO	FIXING TUBE	BLOQUE TUBE	HALTERUNG ABLAUF-SCHLAUCH	ASS. VASCA SUPERIORE SILICONATA	
38	1001.022.050	SPORTELLINO POLVERE NERO	POWDER DOOR BLACK	PORTE TRAPPE DECA	Kleppe 2. Kaffeeseite schwarz	RES.SCTZ 208V 55W PROFESSIONALE	
39	1034.096.050	TRAMOGGIA CAFFE IN POLVERE	HOPPER COFFEE	TRAPPE CAFE	Trichter Kaffeepulver	RESISTENZA SCALD. 230V 55W RST	
40	1034.073	ASS. VASCA SUPERIORE SILICONATA	SILICONED TOP TANK ASS.	SILICONED TOP TANK ASS.	Siliconed Top Tank Ass.	GUARNIZIONE RESISTENZA SCALDATAZZ	
41	NM02.025	OR 6162 EPDM	OR 6162 EPDM	OR 6162 EPDM	O-Ring 6162 EPDM	ROSETTA DENT. 3.3X5.8 UNI 3703 Z	
42	1034.079.00Z	RES.SCTZ 208V 55W PROFESSIONALE	CUP WARMER HEAT ELEMENT 208V	CHAUFFE TASSE RESISTANCE 230V	CUP WARMER HEAT ELEMENT 208V	DADO M3 ALTO UNI 5587 ZINCATO	
43	1035197	RESISTENZA SCALD. 230V 55W RST	RST CUP WARMER HEAT ELEMENT 230V	RST CUP WARMER HEAT ELEMENT 230V	RST CUP WARMER HEAT ELEMENT 208V	ASS.VASCA SCALDATAZZE 208V	
44	1034.100	GUARNIZIONE RESISTENZA SCALDATAZZ	SEAL FOR HEAT ELEMENT	JOINT	Dichtung zu Heizschlange Tassenw	TRAMOGGIA CAFFE IN POLVERE	
45	U208.002	ROSETTA DENT. 3.3X5.8 UNI 3703 Z	TOOTHED WASHER 3.3X5.8 UNI 3703	ECROU M3 HIGH UNI 5587 GALVANIZED	Mutter M3 UNI 5587	TRAMOGGIA POLVERE 2 MACINACAFFE	
46	123160302	DADO M3 ALTO UNI 5587 ZINCATO	NUT M3 HIGH UNI 5587 GALVANIZED	CUP WARMING TRAY ASS.	CUP WARMING TRAY ASS.	PROTEZIONE SX MACINACAFFE	
47	1034972	ASS.VASCA SCALDATAZZE 230V	CUP WARMING TRAY ASS.	CUP WARMING TRAY ASS.	CUP WARMING TRAY ASS.	COLLETTORE SCARICHI 2 MACINACAFF	
48	1036102	ASS.VASCA SCALDATAZZE 208V	CUP WARMING TRAY ASS. 208V	CUP WARMING TRAY ASS. 208V	CUP WARMING TRAY ASS. 208V	ASS. TRAMOGGIA FONDI DOPPIO CONT.	
49	1034554	TRAMOGGIA CAFFE IN POLVERE	HOPPER COFFEE	HOPPER COFFEE	HOPPER COFFEE	VITE TSP M4.0X12 UNI 7688 ZNP	
50	U108.121	PROTEZIONE SX MACINACAFFE	POWDER 2 GRIND COFFEE HOPPER	DESCENTE CAFE	DOSETRICHTER 2 MAHLWERKE	MAGNETE D.13x4 CASSETTO FONDI	
51	1008123	COLLETTORE SCARICHI 2 MACINACAFF	UNLOADING COLLECTOR 2 GRIND COFF	RECIPIENT BE VIDANGE	ABDECKUNG MAHLWERK LINKS	DADO AUTOBLOC M4 DIN982 TYP ALTO	
52	U007.877	ASS. TRAMOGGIA FONDI DOPPIO CONT.	ASS.HOPPER DOUBLE CONTAINER	ENSEMBLE-TREMIE	KAFFEEABFUHRUNG	CASSETTO FONDI PANTERA T632	
53	U044.013	VITE TSP M4.0X12 UNI 7688 ZNP	screw TSP M4.0X12 UNI 7688 GALV	VIS M4.0X12 DIN 965 verz.	Senkschraube M4x12 DIN 965 verz.	ASS. CASSETTO FONDI GRIGGIO PANTIE	
54	1002574	MAGNETE D.13x4 CASSETTO FONDI	MAGNET D.13x4 DUMP BOX	AIMANT D.13x4 BLOC Poudre	Magnet. 13x4 zu Satzschublade	GRIGLIA DOPPIO CONTENITORE	
55	12345102	DADO AUTOBLOC M4 DIN982 TYP ALTO	GALV SELF LOCK NUT HIGH M4 DIN 9	ECROU AUTOBLOQUANT N4	Mutter M4 selbstsichernd	ASS. VASCA SUPERIORE DOPPIO CONT.	
56	1034698	CASSETTO FONDI PANTERA T632	T632 PANTHER DUMP BOX	T632 PANTHER DUMP BOX	T632 PANTHER DUMP BOX	FIANCO DX INTERNO CSA	
57	10350777	ASS. CASSETTO FONDI GRIGGIO PANTIE	GREY PANTHER DRAWER COFFEE GROUN	GREY PANTHER DRAWER COFFEE GROUN	GREY PANTHER DRAWER COFFEE GROUN	FIANCO E LOGO SAECO DX BLK	
58	1036102	GRIGLIA DOPPIO CONTENITORE	GRILL DOUBLE CONTAINER	GRILLE DOUBLE BAC	ASBTROPFWANNE ZU TASSENTISCH	FIANCO E LOGO SAECO DX WALNUT	
59	1007879	ASS. VASCA SUPERIORE DOPPIO CONT.	TRAY ASS. UPPER DOUBLE CONTAINER	TROIR SUPERIEUR DOUBLE BAC	TASSENTISCH	FIANCO E LOGO SAECO DX RED	
60	1036898	FIANCO DX INTERNO CSA	CSA RIGHT SIDE INSIDE	CSA RIGHT SIDE INSIDE	CSA RIGHT SIDE INSIDE	FIANCO E LOGO SAECO DX WHITE	
61	1036335	FIANCO DX INTERNO PANTERA	RIGHT SIDE INSIDE PANTERA	RIGHT SIDE INSIDE PANTERA	RIGHT SIDE INSIDE PANTERA		
62	1036917	FIANCO E LOGO SAECO DX BLK	BLK SAECO LOGO AND SIDE RIGHT	BLK SAECO LOGO AND SIDE RIGHT	BLK SAECO LOGO AND SIDE RIGHT		
63	1036919	FIANCO E LOGO SAECO DX BLU	BLU SAECO LOGO AND SIDE RIGHT	BLU SAECO LOGO AND SIDE RIGHT	BLU SAECO LOGO AND SIDE RIGHT		
64	1036920	FIANCO E LOGO SAECO DX WALNUT	WALNUT SAECO LOGO AND SIDE RIGHT	WALNUT SAECO LOGO AND SIDE RIGHT	WALNUT SAECO LOGO AND SIDE RIGHT		
65	1036921	FIANCO E LOGO SAECO DX RED	RED SAECO LOGO AND SIDE RIGHT	RED SAECO LOGO AND SIDE RIGHT	RED SAECO LOGO AND SIDE RIGHT		
66	1036922	FIANCO E LOGO SAECO DX WHITE	WHITE SAECO LOGO AND SIDE RIGHT	WHITE SAECO LOGO AND SIDE RIGHT	WHITE SAECO LOGO AND SIDE RIGHT		

N.POSI	COD	I - DESCRIZIONE	UK - DESCRIPTION	F - DESCRIPTION	D - BEZEICHNUNG	E - DESCRIPCION	NOTE
57	11036093	LAMIERA TAGLIAFIAMME CSA	CSA PLATE SIZE	CSA PLATE SIZE	CSA PLATE SIZE	LAMIERA TAGLIAFIAMME CSA	CSA
58	11007873	CHIUSURA TETTO DOPPIO CONTENITOR	ROOF CLOSING DOUBLE CONTAINER BL	PLAQUE DE FIXATION NOIRE	ABSCHLUßBLECH ZU TASTATURTAFFEL	CHIUSURA TETTO BLK	DUO
59	11034633	CHIUSURA TETTO BLK	ROOF CLOSING BLACK	PLAQUE DE FIXATION NOIRE	ROOF CLOSING BLACK	CHIUSURA TETTO BLK	
60	11009557	GRIGLIA A FILO SOTTOTAZZA	GRATE	GRILLE	ABTROPFGITTER	GRATE	
61	U207.002	ROSETTA PIANA 4.3X9 UNI 6592 ZNP	PLAIN WASHER 4.3X9 UNI 6592 GAL	RONDELL 4.3*9 UNI6592 ZNP	Scheibe A4,3 DIN 125 verz.	ROSETTA PIANA 4.3X9 UNI 6592 ZNP	
62	11011554	FIANCO DX IDEA SLIM	RIGHT SIDE IDEA SLIM	OTECO PLATE NPL 0113 FORME A	Halteklammer OTECO NPL 0113 Form	PIASTRINA OTECO NPL 0113 FORM A	
63	NF14.004	PIASTRINA OTECO NPL 0113	OTECO PLATE NPL 0113 FORM A	RONDELLE OTECO Npl 0113 FORME A	Abtropfschale IDEA	VASCA ACQUA	
64	1034.054	VASCA ACQUA	TANK WATER	BAC RECUPERATION EAU	Abtropfschale IDEA	VASCA ACQUA	
65	11011553	FIANCO SX IDEA SLIM	LEFT SIDE IDEA SLIM				
66	11011555	ASS.VASCA ACQUA IDEA SLIM	TANK WATER ASSY. IDEA SLIM	ENS BAC RECUP EAU IDEA SLIM	Abtropfschale kpl. IDEA SLIM		
67	U109.002	VITE AUT.TCB 3.5X25 DIN 7981 C N	NIK.SCREW TCB 3.5X25 DIN 7981 C	VIS NIK TCB 3.5X25 DIN 7981 C	Linsen-Blechs.3.5x25 DIN7981 Ni.	VITE AUT.TCB 3.5X25 DIN 7981 C N	
68	1034.127.150	SUPPORTO REED GRIGIO	REED SUPPORT GREY	SUPPORT SONDE REED GRIS	Halterung Reedschalter CONCServi	SUPPORTO REED GRIGIO	
69	1037.058.050	VASCA SCARICO ACQUA NERA	WATER DRIP TRAY BLACK	PLATEAU D'EGOUTTEMENT DE L'EAU	Einsatz Tropflade MOL-RE	VASCA SCARICO ACQUA NERA	
70	11036216	SUPPORTO DX CON INSERTI BLK	RX SUPPORT WITH INSERT BLK	RX SUPPORT WITH INSERT BLK	RX SUPPORT WITH INSERT BLK	SUPPORTO DX CON INSERTI BLK	
71	U110.006	VITE AUT.TCB 2.9X13 DIN 7981 F N	screw AUT.TCB 2.9X13 DIN 7981 F	VIS AUT.TCB 2.9X13 DIN 7981 F NI	SCHRAUBE 2.9X13 DIN 7981	VITE AUT.TCB 2.9X13 DIN 7981 F N	
72	11009260	SENSORE DOPPIO CONTENITORI CAFFE	DOUBLE SENSOR COFFEE CONTAINER I	SONDE DOUBLE CONTAINER IDEA 2M	SENSORE DOPPIO CONTENITORI CAFFE	SENSORE CONTENITORE CAFFE'	DUO
73	1034.071	SENSORE CONTENITORE CAFFE'	REED SPACER	ENTRETROISE SONDE	Abstandhalter Reed-Kontakt	DISTANZIALE REED	208V
74	11036306	LAMIERA CHIUSURA CSA BLK	CLOSURE SHEET CSA BLK	CLOSURE SHEET CSA BLK	CLOSURE SHEET CSA BLK	LAMIERA CHIUSURA CSA BLK	



N.POSI COD	I - DESCRIZIONE	UK - DESCRIPTION	F - DESCRIPTION	D - BEZEICHNUNG	E - DESCRIPCION	NOTE
1	1034.011 PANNELLO ANTERIORE SX	LEFT FRONT PANEL	SUPPORT FRONTAL GAUCHE	Gehäuseblende vorne links	PANNELLO ANTERIORE SX	CAPPUCCINO /DUO
2	U110.004 VITE AUT.TCB 3.5X6.5 DIN 7981 F	screw AUT.TCB 3.5X6.5 DIN 7981 F	VIS AUT.TCB 3.5X6.5 DIN 7981 F	Schraube 3.5X6.5 DIN 7981 F	VITE AUT.TCB 3.5X6.5 DIN 7981 F	LUXE /COFFEE
3	1037.007 ASS.SPORTELLINO CAPPUCCINATORE	CAPPUCCINO MAKER HATCH	PORTE AVEC SUPPORT CAPPUCCINO	Tur.kpit. Idea Cappuccino	CAPPUCCINO MAKER HATCH	
3	1038.A02 ASS.SPORTELLINO LUXE	LUXE FRONTAL DOOR ASSEMBLY	ENS. PORTE IDEA DE LUXE	LUXE FRONTAL DOOR ASSEMBLY	ASS. SPORTELLINO LUXE	
3	11000187 NSF MAKER HATCH	NSF MAKER HATCH				
4	9972.189 TUBO SILICONE 6X10 L.345MM	SILICONE TUBE 6X10 L.345MM		Siliconschlauch 6x9 L=345 mm	FASCETTA STRINGITUBO D=11/11,6	Cappuccino
5	NV99.087 ASS. EV PINZA	CLAMP SOLENOID ASS.	ANNEAU	CLAMP SOLENOID ASS.	ASS. EV PINZA	CAPPUCCINO /DUO
6	11035034 TUBO SCREW M4X10 UNI 7687 ZNP	TCB SCREW M4X10 UNI 7687 ZNP	VIS TCB M4X10 UNI 7687	Schraube M4x10	VITE TCB M4X10 UNI 7687 ZNP	CAPPUCCINO /DUO
7	129824002 ELETTROVALVOLA PINZA TUBO 12W 24	SOLENOID VALVE PINCHCOCK-TUBE	ELECTROVALVINE	Elektroventil	ELETTROVALVOLA PINZA TUBO 12W 24	CAPPUCCINO /DUO
8	11029223 ASS.PIASTRINA ELETTROVALVOLA	SOLENOID VALVE PLATE	PLAQUE SUPPORT SOLENOIDE	BEFESTIGUNGSBLECH ZU ELEKTROVENT	ASS.PIASTRINA ELETTROVALVOLA	
9	1022.007 OR ORM 0073-24 SILICONE FDA	OR ORM 0073-24 SILICONE FDA	JOINT OR ORM 0073-24 SILICONE FD	O-Ring 0073-24 Silikon	OR ORM 0073-24 SILICONE FDA	
10	12000393 RACCORDO ADATTATORE X CAPPUCC.	CONN ADAPTER	RACCORD	Raccord zu Adapter Cap.	RACCORDO ADATTATORE X CAPPUCC.	
11	1037.085 CANOTTO CAFFE'	COFFEE PIPE	CANAL CAFE	Verbindungsstützen Kaffeauslauf	CANOTTO CAFFE'	Cappuccino
12	1037.084.050 PERNO FISSAGGIO INFERIORE	LOWER FIXING PIN	AXE DE FIXATION INFERIEURE	Schraube Kaffeauslauf MOL-RE	PERNO FISSAGGIO INFERIORE	
13	1037.054 OR ORM 0080-15 TERMOIL	OR ORM 0080-15 TERMOIL	JOINT OR ORM 0080-15 TERMOIL	O-Ring ORM 0080-15 EPDM	OR ORM 0080-15 TERMOIL	
14	NM02.013 GUARNIZIONE CANOTTO CAFFE'	SEAL PIN COFFEE	GARNITURE CANAL CAFE	Dichtung zu Befestigungsbolzen	GUARNIZIONE CANOTTO CAFFE'	
15	1037.053 ASS.CANOTTO	TUBE ASS.	ENS CANAL	Verbindungsstützen kpit. Cappucc	ASS.CANOTTO	
16	1037.082.050 VITE TCB 2.9X6.4 DIN 7981 BZ NIK	SCREW TCB 2.9X6.4 DIN 7981 BZ NI	VIS TCB 2.9X6.4 UNI 7981 BZ NICK	Blechschraube 2.9X6.4 Ni	VITE TCB 2.9X6.4 DIN 7981 BZ NIK	
17	129519003 MAGNETE D.13 H.4.5 M5 MASCHIO	MAGNET D.13 H.4.5 M5 MALE	AIMANT D.13 H.4.5 M5 Male	Magnet d=13 h=4.5 M5	MAGNETE D.13 H.4.5 M5 MASCHIO	
18	9991.206 U302.003 DADO ESAGONALE M4 UNI 5689 ZN	GALV NUT HEXAGONAL M4 UNI 5689 Z	ECROU HEXAGONAL M4 UNI 5689 ZN	Mutter M4 UNI 5689 ZN	DADO ESAGONALE M4 UNI 5689 ZN	
19	1034.016 MANIGLIA SPORTELLINO CROMATA	KNOB DOOR	BOUTON DE PORTE	Türgriff chrom CONCERTO, MOL-RE	MANIGLIA SPORTELLINO CROMATA	
20	1034.060 ASS. FISSAGGIO CALAMITA	ASS.FIXING MAGNET	FIXATION	Magnetbefestigung kpit.	ASS. FISSAGGIO CALAMITA	
21	123160502 DADO M5 ALTO UNI 5587-68 ZINC.	GALVANIZED NUT M5 HIGH UNI 5587-	ECROU CHAUDIERE SAECO	Mutter M5 UNI 5587-68	DADO M5 ALTO UNI 5587-68 ZINC.	
22	1022.018 ASS.RASCHIATORE X TUBO CAPPUCCIN	SCRAPER ASS.FOR CAPPUCCINAT. TUB	ENS RACLOIR POUR TUBE CAPPUCCINO	Reinigungsdraht für Milchschaugs	ASS.RASCHIATORE X TUBO CAPPUCCIN	
23	1035.002 PANNELLO ANTERIORE DX	RIGHT FRONT PANEL	PANNEAU DROITE FRONTAL	Gehäuseblende vorne rechts	PANNELLO ANTERIORE DX	
24	11007860 TAPPO CROMATO PINZA CAPPUCCINATO	CAP	CAPUCHON	CAP	TAPPO CROMATO PINZA CAPPUCCINATO	
25	1037.065 PANNELLO ANTERIORE DX BASSO	RIGHT FRONT PANEL	SUPPORT FRONTAL DROIT	Gehäuseblende vorne rechts unten	PANNELLO ANTERIORE DX BASSO	
26	1037.033.050 CHIUSURA CAPPUCCINATORE NERO	CLOSING CAPPUCCINATORE BLACK	FERMOIR CAPPUCCINATORE NOIR	Oberteil zu Kaffeauslauf	CHIUSURA CAPPUCCINATORE NERO	
27	1037.044.050 ASS.LEVA REGOLAZIONE CREMA	LEVER ASS.	ENS LEVIER REGLAGE CREME	Regulierhebel Cappuccinatore MOL	ASS.LEVA REGOLAZIONE CREMA	
28	NM02.035 OR ORM 0040-20 EPDM	OR ORM 0040-20 EPDM	JOINT OR ORM 0040-20 EPDM	O-Ring 0040-20 EPDM	OR ORM 0040-20 EPDM	
29	1037.036.050 TAPPO CAPPUCCINATORE MODIFICATO	CAPPUCCINATORE CAP MODIF.	COUPELLE CAPPUCCINATORE	Deckel Cappuccinatore MOL-RE	TAPPO CAPPUCCINATORE MODIFICATO	
30	NM02.034 OR ORM 0350-20 EPDM	OR ORM 0350-20 EPDM	JOINT OR ORM 0350-20 EPDM	O-Ring 0350-20 EPDM	OR ORM 0350-20 EPDM	
31	1037.034.050 CORPO CAPPUCCINATORE NERO	BLACK CAPPUCCINATORE CASING	CHAMBRE CAPPUCCINATORE NOIRE	Cappuccinatore MOL-RE	CORPO CAPPUCCINATORE NERO	
32	1037.057.050 ASS.REGOLAZIONE TEMP.SERIG.NERO	TEMPERATURE ADJUSTMENT UNIT W. B	ENSEMBLE REGULATION TEMPERATURE	Temperaturregler kpit. beschrift	ASS.REGOLAZIONE TEMP.SERIG.NERO	
33	1037.051.050 RACCORDO LATTE	CAPPUCCINATORE CONNECTOR	RACCORD	Raccord zu Schlauch Cappucc.	RACCORDO LATTE	
34	1037.050.050 CHIUSURA EROGATORE	DISTRIBUTOR COVER	COUVERCLE CANAL CAFE	Deckel Kaffeauslauf MOL-RE	CHIUSURA EROGATORE	
35	1037.001.050 CORPO EROGATORE	DISPENSING CASING	CANAL CAFE INFERIEUR	Kaffeauslauf MOL-RE	CORPO EROGATORE	
36	11001135 EROGATORE GRUPPO 6 GR.	DISPENSING UNIT 6 GR.	SORTIE GROUPE 6GR.	DISPENSING UNIT 6 GR.	EROGATORE GRUPPO 6 GR.	9 GR
37	1037.083.050 ASS.COPERTURA INFERIORE EROGATOR	LOWER DISPENSER COVER ASSY.	CANAL CAFE	Abdeckung unten Kaffeauslauf	ASS.COPERTURA INFERIORE EROGATOR	CAPPUCCINO /DUO
38	1037.035.050 ASS.CAPPUCCINATORE NERO	BLACK CAPPUCCINATORE ASS.	ENS CAPPUCCINATORE NOIR	Cappuccinatore kpit. schwarz	ASS.CAPPUCCINATORE NERO	
39	1037.059 COPERTURA EROGATORE CROMATO	DISPENSER COVER	COUVERCLE SORTIE ARGENT	Abdeckung Kaffeauslauf verchrom	COPERTURA EROGATORE CROMATO	
39	1038.002 COPERTURA EROGATORE CROMATO	DISPENSER COVER	COUVERCLE DE SORTIE	Abdeckung Kaffeauslauf verchrom	COPERTURA EROGATORE CROMATO	
40	12000431 SCOVOLINO C/OCCHELLO D.12	BRUSH D.12	BROSSE D.12	Schlauchbürste D=12	SCOVOLINO C/OCCHELLO D.12	
41	12000430 OR 2015 SILICONE PTFE/FDA	BRUSH D.6	BROSSE D.6	O-Ring 2015 SILIKON	OR 2015 SILICONE PTFE/FDA	
42	140328059 PROLUNGA CAPPUCCINATORE	PROLONGATEUR EXTENDER	PROLONGATEUR CAPPUCCINATORE	Auslaufstützen Cappuccinatore	PROLUNGA CAPPUCCINATORE	
43	1037.019.050 TUBO SILICONE 3X5.5 L=2000 MM	SILICONE TUBE 3X5.5 L.2000 MM	TUBE SILICONE 3X5.5 L=2000 MM	Siliconschlauch 3x5.5 l=2m	TUBO SILICONE 3X5.5 L=2000 MM	
44	9972.096					



N.POSI	COD	I - DESCRIZIONE	UK - DESCRIPTION	F - DESCRIPTION	D - BEZEICHNUNG	E - DESCRIPCION	NOTE
1	11003166	DISTANZIALE 16MM VALVOLA GRUPPO	SPACE 16MM UNIT VALVE 7/9GR.	ENTRETOISE VALVE GROUPE 7/9GR	DISTANZSTÜCK VENTIL 16MM BRÜHGR	DISTANZIALE 16MM VALVOLA GRUPPO	
2	9161.222	MOLLA CONICA INOX	SS CONICAL SPRING	RESSORT CONIQUE	FEDER ZU CREMAVENTIL	MOLLA CONICA INOX	
3	9161.320	VALVOLA X GRUPPO CAFFE' BIANCA	VALVE FOR UNIT	VALVE DE GROUPE CAFFE	Ventilhahkugel Brühgruppe	VALVOLA X GRUPPO CAFFE' BIANCA	
4	NM02.013	OR ORM 0080-15 TERMOIL	OR ORM 0080-15 TERMOIL	JOINT ORM 0080-15 TERMOIL	O-Ring ORM 0080-15 EPDM	OR ORM 0080-15 TERMOIL	
5	9161.241.150	CONTROPISTONE GRIGIO X 9GR.	COUNTERPISTON GREY FOR 9GR	JOINTORMPISTON GRIS 9GR.	Kolben d=50mm. Brühgruppe 18g	CONTROPISTONE GRIGIO X 9GR.	
6	NM01.065	OR ORM 0420-40 SILIC.ROSSO FDA 6	OR ORM 0420-40 RED SILIC.FDA 6S/	JOINT ORM 0420-40 SILICONE FDA 6	O-RING 0420-40 SILIKON	OR ORM 0420-40 SILIC.ROSSO FDA 6	
7	9161.247.150	ANELLO GRIGIO X PISTONE 9GR.	GREY RING FOR PISTON 9GR	ANNEAU PISTON 9GR	Scheibe grau zu Kolben	ANELLO GRIGIO X PISTONE 9GR.	
8	129852821	VITE TSP M3X14 UNI 7688 INOX	TSP SCREW M3X14 UNI 7688 SS	VIS TSP M3X14 UNI 7688 SS	Senkkopfschraube 3x10	VITE TSP M3X14 UNI 7688 INOX	
9	11009224	DOCCIA ELFO D.45	PERCOLATOR D.45	PERCOLATEUR D=45	SIEB D=45	DOCCIA ELFO D.45	
10	9161.447	PERNO DOCCIA	PIN	AXE ETANCHE GRILLE GROUPE	Rändelspannmutter	PERNO DOCCIA	
11	NM02.006	OR R5 TERMOIL	OR R5 TERMOIL	JOINT R5 EPDM	O-Ring R5 Siebhalterung alle Cer	OR R5 TERMOIL	
12	9161.446	DISTANZIALE PERNO DOCCIA	SPACER	ENTRETOISE	Kunststoffeinsatz für Brühsieb	DISTANZIALE PERNO DOCCIA	
13	146680659	MISURINO C/FORO GRIGIO	GREY MEASURE WITH HOLE	MESURETTE GRISE	Meßöffel	MISURINO C/FORO GRIGIO	
14	1034.083.150	UTENSILE FISSAGGIO CONT.CAFFE'	BUSH		Befestigung Bohrenbehälter		
15	127390100	PENNELLO PER PULIZIA	BRUSH FOR CLEANING	PINCEAU	Reinigungsinsel	PENNELLO PER PULIZIA	
16	421946017941	TUBETTO GRASSO DI LUBRIFICAZIONE	KLUBERLUB NH1 11-222 TUBE 5GR.	TUBE DE GRAISSE SILICONE 5GR.	KLUBERLUB NH1 11-222 TUBE 5GR.	TUBETTO GRASSO DI LUBRIFICAZIONE	
17	U140.017	PANELVIT TCB 3.0X20 DIN 7505 B Z	PANELVIT TCB 3.0X20 DIN 7505 B G	VIS TCB 3X20	Linsen-Blechschr. 3x20 DIN 7505	PANELVIT TCB 3.0X20 DIN 7505 B Z	
18	1020.060.150	FLANGIA X CONTROPISTONE GRUPPO	FLANGE FOR COUNTERPISTON UNIT	FLANGIA CONTREPISTON GROUPE	Kaffeauslaufkanal Brühgruppe	FLANGIA X CONTROPISTONE GRUPPO	
19	0301.R04.150	AS.MANICOTENTRATA ACQ.GRUPP.GRI.	GREY WATER INLET SLEEVE BREW UNI	PIPETTE ENTREE EAU GROUPE CAFE	STL - Wasserreinlaufsutzen Brühg	AS.MANICOTENTRATA ACQ.GRUPP.GRI.	
20	21002054	ACC PSA COF.OIL REMOVER 1UNIT CO	ACC PSA COF.OIL REMOVER 1UNIT CO	ACC PSA COF.OIL REMOVER 1UNIT CO	ACC PSA COF.OIL REMOVER 1UNIT CO	ACC PSA COF.OIL REMOVER 1UNIT CO	
21	9161.064.150	MANICOTTO ENTRATA ACQ.GRUPPO G	GREY WATER INLET SLEEVE BREW UNI	PIPETTE ENTREE EAU	Einlaufsutzen grau	MANICOTTO ENTRATA ACQ.GRUPPO G	
22	NM02.007	OR 2025 TERMOIL	OR 2025 IN TERMOIL	JOINT 2025 TERMOIL	O-RING 2025 EPDM	OR 2025 TERMOIL	
23	NM02.010	OR ORM 0050-20 TERMOIL	OR ORM 0050-20 TERMOIL	JOINT ORM 0050-20 TERMOIL	O-Ring 0050-20 EPDM	OR ORM 0050-20 TERMOIL	
24	9161.227.050	PISTONE COMPLETO NERO X GRUPPO	COMPLETE PISTON FOR UNIT BLACK	PISTON COMPLET NOIR POUR GROUPE	Stößel kpl. Brühgruppe 18g	PISTONE COMPLETO NERO X GRUPPO	
25	11021890	RASATORE PIEGATO GRUPPO CAFFE' 9	SCRAPER FOR COFFEE UNIT 9GR.	RACLEUR GROUPE 9GR	Abstreifbügel Brühgruppe 9gr.	RASATORE PIEGATO GRUPPO CAFFE' 9	
26	11031604	IMPUGNATURA SUPP.RASATORE GRUPPO	HANDGRIP	PIOGNEE SUP. GROUPE CAFFE	IMPUGNATURA SUPP.RASATORE GRUPPO	IMPUGNATURA SUPP.RASATORE GRUPPO	
27	9161.231	MOLLA X RASATORE GRUPPO 9GR.	SPRING FOR SCRAPER UNIT 9GR.	RESSORT GROUPE CAFFE 9GR	Torsionsfeder f. MOL	MOLLA X RASATORE GRUPPO 9GR.	
28	11031660	RASATORE PISTONE GRUPPO CAFFE'	BREW UNIT PISTON SCRAPER	RACLEUR PISTON GROUPE CAFFE'	RASATORE PISTONE GRUPPO CAFFE'	RASATORE PISTONE GRUPPO CAFFE'	
29	NM01.060	OR ORM 0120-30 SILICONE FDA	OR ORM 0120-30 SILICONE FDA	JOINT ORM 0120-30 SILICONE FDA	OR ORM 0120-30 SILICONE FDA	OR ORM 0120-30 SILICONE FDA	
30	9161.234.150	BIELLA GRIGIA X GRUPPO 9GR.	GREY CONN. ROD FOR UNIT 9GR.	BIELLE GRISE GROUPE CAFFE	Pleuel. Brühgruppe 18g. grau	BIELLA GRIGIA X GRUPPO 9GR.	
31	11009907	ASS.CONTENTITORE NERO 9G TORNITO	CONTAINER ASS.BLACK 9GR	CHAMBRE DE GROUPE 9GR	CONTAINER BLACK 9GR	ASS. CONTENITORE NERO 9G TORNITO	
32	129912521	VITE TCBR 3.5X14 PLASTINOX	SCREW TCBR TORX 10.3.5X14 PLAST.	VIS TCBR TORX 10.3.5X14 PLAST.SS	SCHRAUBE 3.4X14	VITE TCBR 3.5X14 PLASTINOX	
33	12000550	VITE TCB 3X25 PLASTINOX	SCREW TCB TORX 10.3X25 PLAST.SS	VIS TCB TORX 3x25 Plast.Ss	TORXSCHRAUBE 3X25	SREW TCB TORX 10.3X25 PLAST.SS	
34	9161.277	MOLLA X IMPUGNATURA GRUPPO 9GR.	SPRING FOR HANDGRIP UNIT 9GR	RESSORT DE POIGNEE GROUPE 9GR	Feder Brühgruppenregelung 18	MOLLA X IMPUGNATURA GRUPPO 9GR.	
35	12001616	FERMATUBO DOPPIO 6.3 FASTPOINT(4	LOCK TUBE FASTPOINT(4703AA01)	FERMETURE TUBE DOUBLE 6.3 FASTPO	LOCK TUBE FASTPOINT(4703AA01)	FERMATUBO DOPPIO 6.3 FASTPOINT(4	
36	1037.043.050	RACCORDO CAFFE'	CONNECTOR COFFEE BLACK	RACCORD CAFE	Kaffeauslauf IDEA	RACCORDO CAFFE'	
37	11025879	TUBO SILICONE NERO 3.5X6 L=290MM	BLACK SILICONE TUBE 3.5X6 L=290	TUBE SILICONE NOIR 3.5X6 L=290 M	Silikonschlauch sz. 3.5x6. l=290	TUBO SILICONE NERO 3.5X6 L=290 M	
38	11010042	GRUPPO CAFFE' TORNITO 9/15G PROF	BREW UNIT 9/15G PROFESSIONAL	GROUPE CAFE 9/15G PROFESSIONNEL	Brühgruppe 9-15 gr	GRUPPO CAFFE' TORNITO 9/15G PROF	



Idea RST

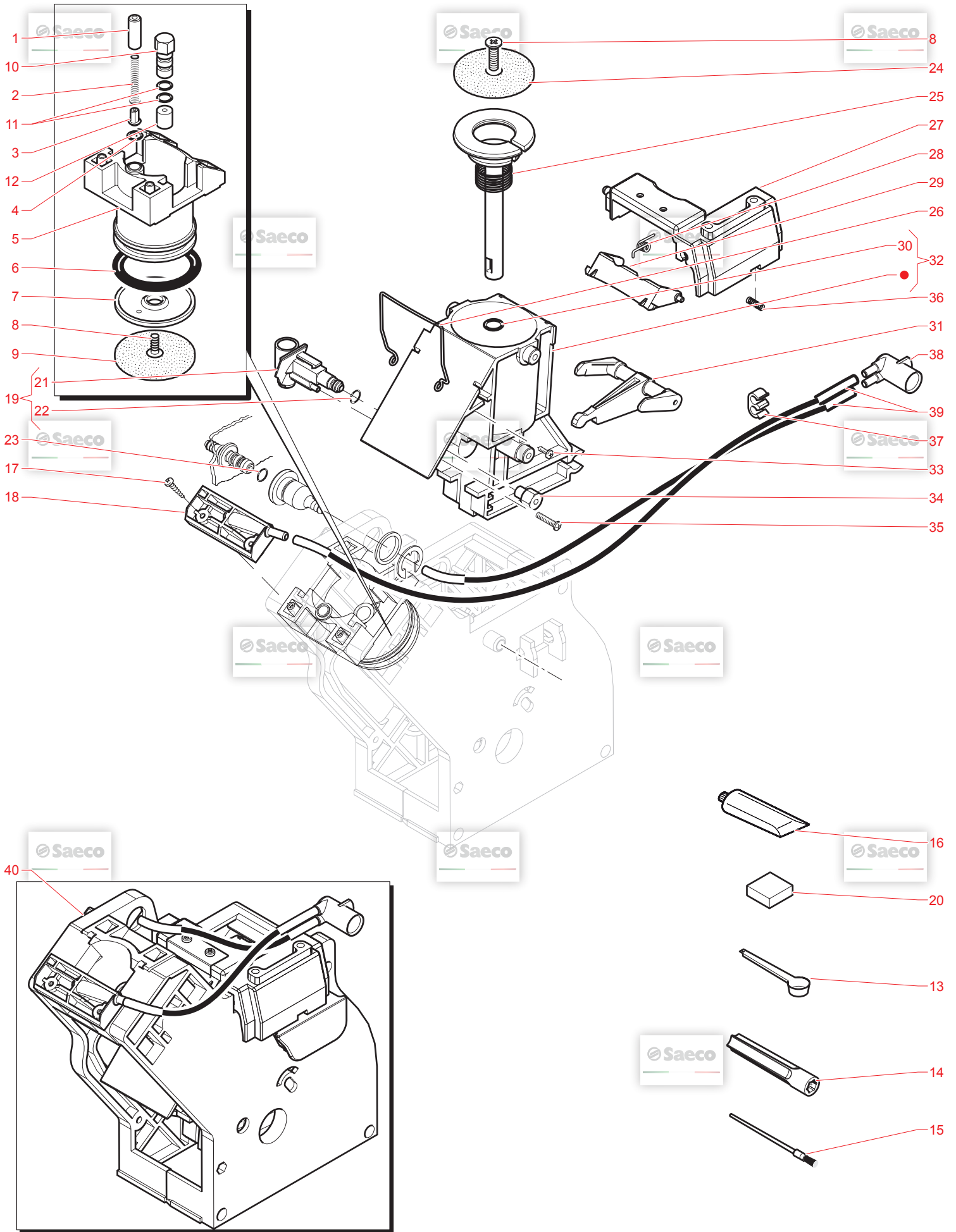
14/03/2019

03

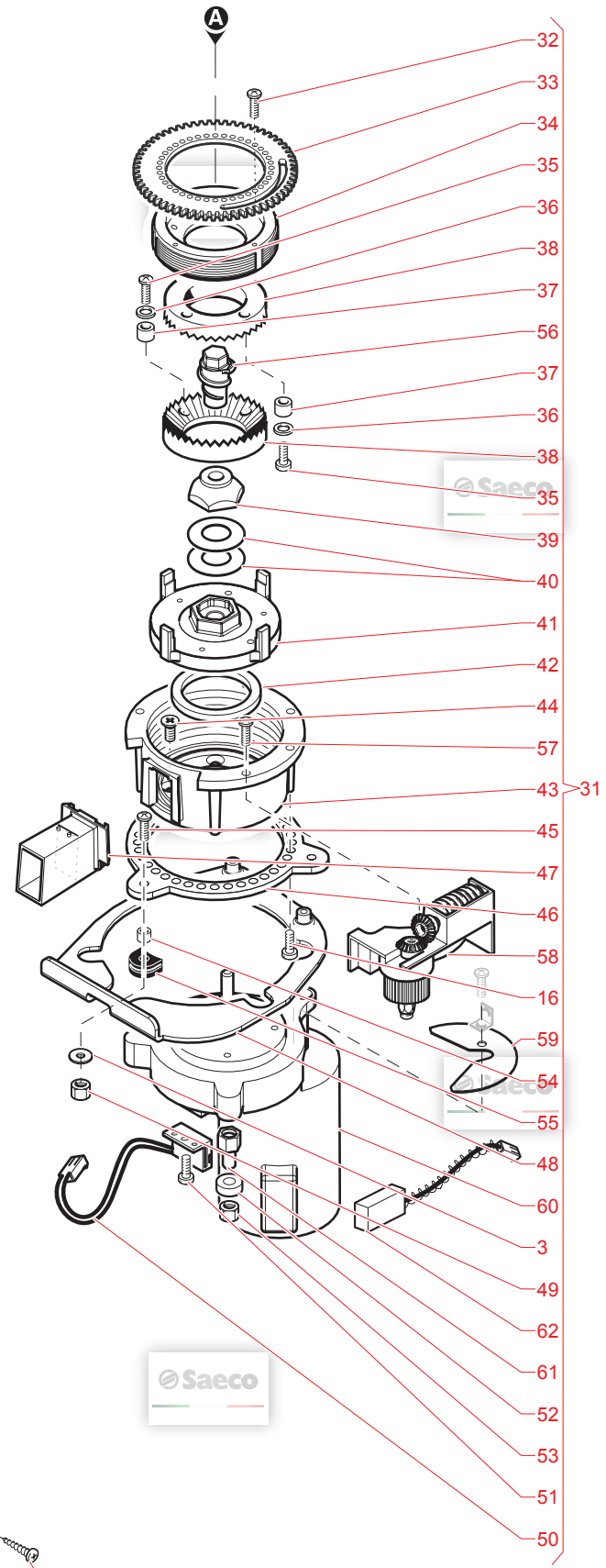
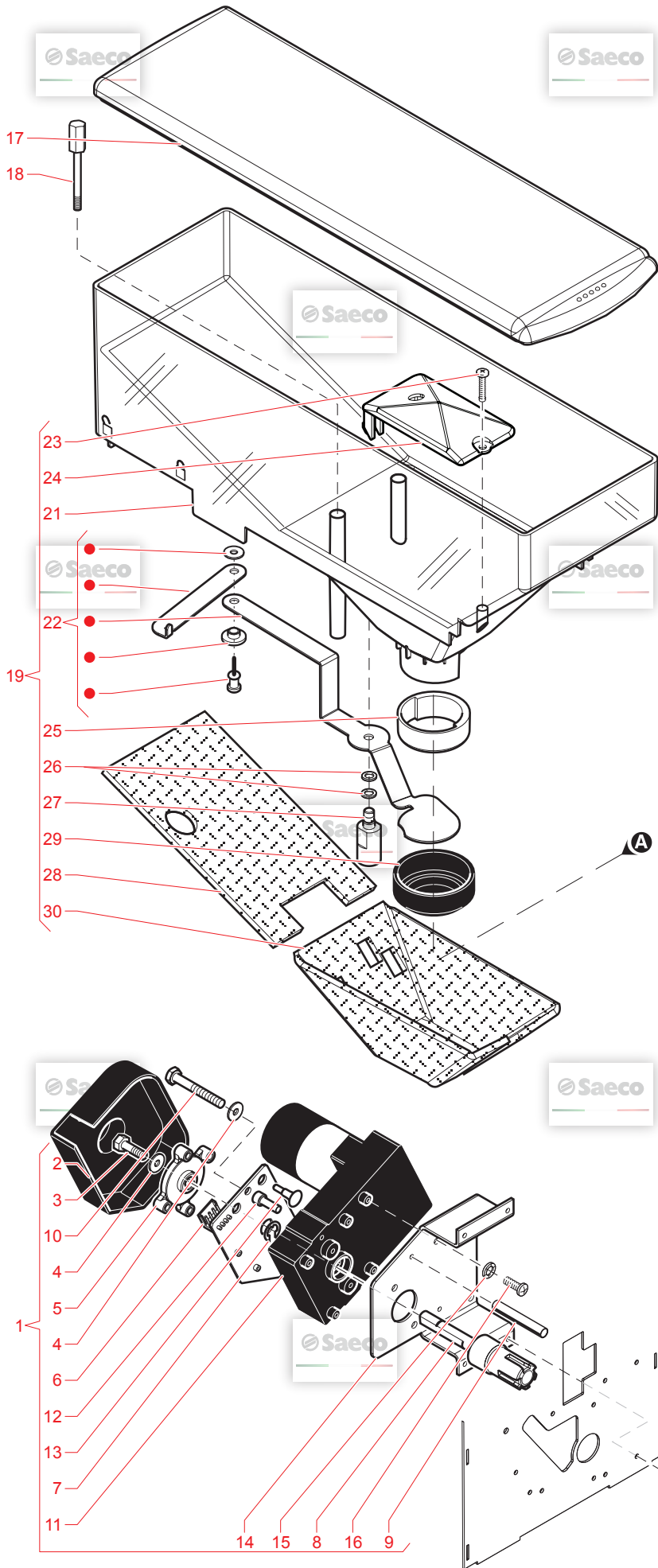
E019.054

GAGGIO MONTANO

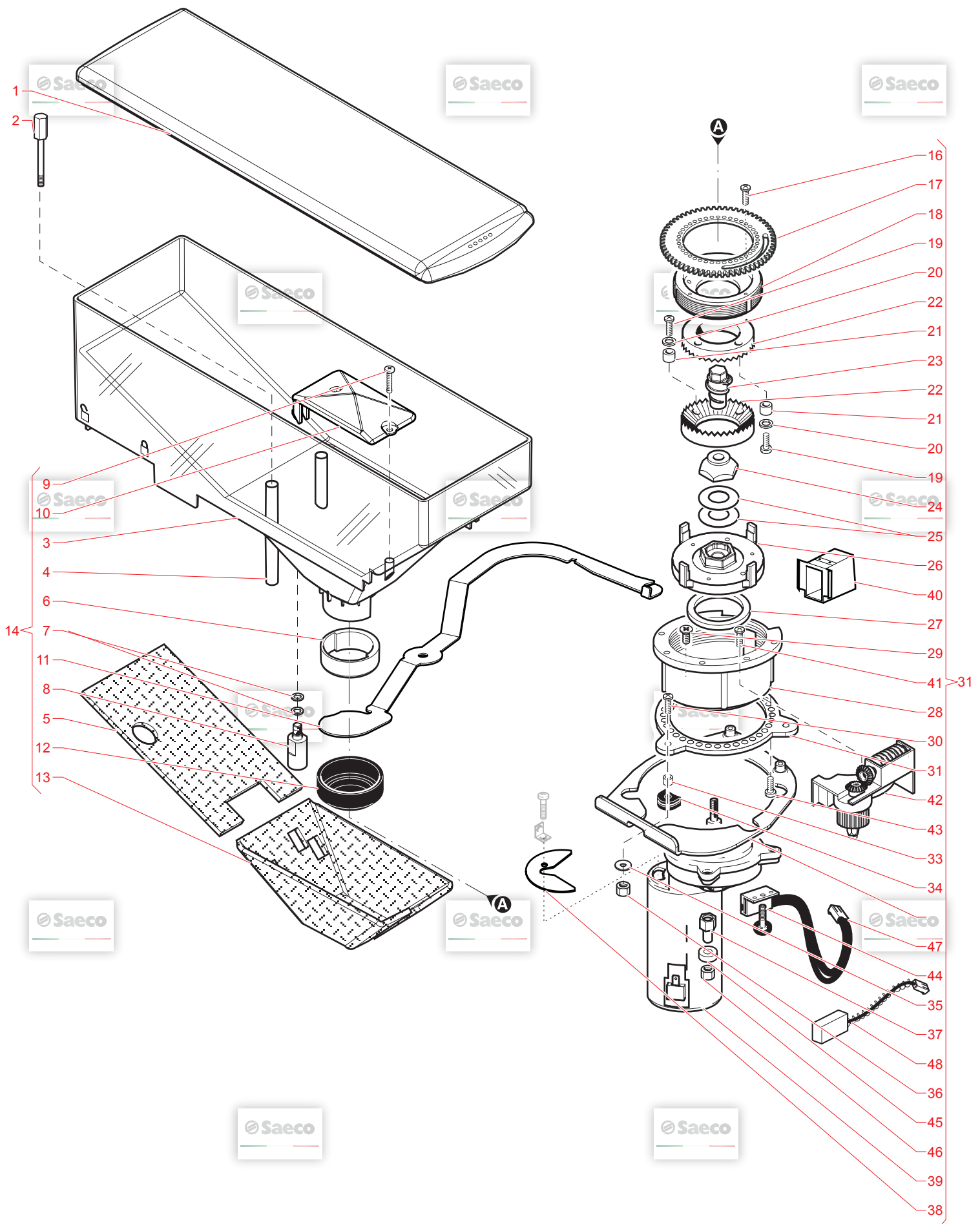
© by Saeco, a company of Evoca Group



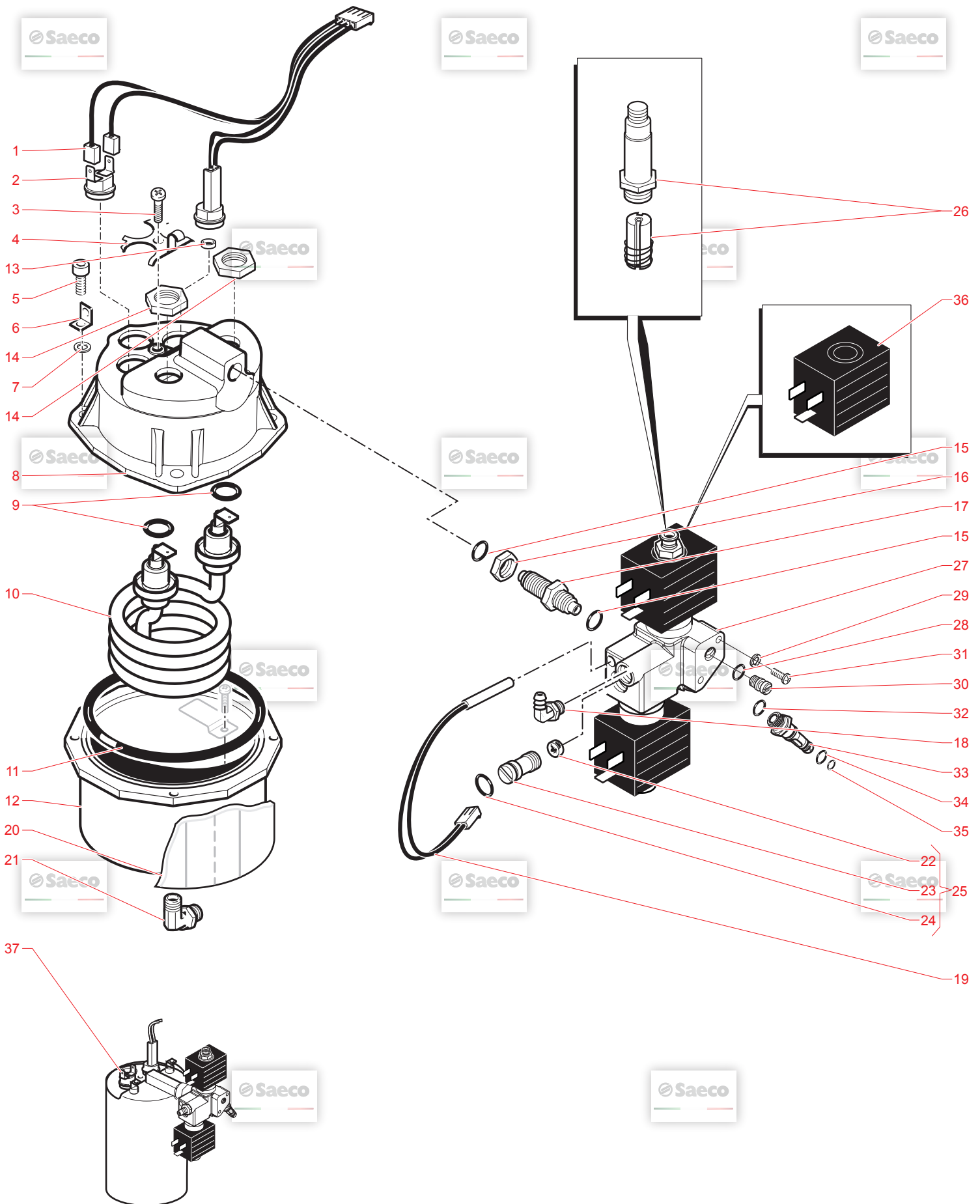
N.POSI	COD	I - DESCRIZIONE	UK - DESCRIPTION	F - DESCRIPTION	D - BEZEICHNUNG	E - DESCRIPCION
1	11003166	DISTANZIALE 16MM VALVOLA GRUPPO	SPACE 16MM UNIT VALVE 7/9GR.	ENTRETOISE VALVE GROUPE 7/9GR	DISTANZSTÜCK VENTIL 16MM BRÜHGR	DISTANZIALE 16MM VALVOLA GRUPPO
2	9161.220	MOLLA CONICA INOX	SS CONICAL SPRING	RESSORT CONIQUE	FEDER ZU CREMAVENTIL	MOLLA CONICA INOX
3	9161.322	VALVOLA X GRUPPO CAFFE' BIANCA	VALVE FOR UNIT	VALVE DE GROUPE CAFE	Ventilhäkugel Brühgruppe	VALVOLA X GRUPPO CAFFE' BIANCA
4	NM02.013	OR ORM 0080-15 TERMOIL	OR ORM 0080-15 TERMOIL	JOINT ORM 0080-15 TERMOIL	O-Ring ORM 0080-15 EPDM	OR ORM 0080-15 TERMOIL
5	11000743	CONTROPISTONE GRIGIO 7gr	COUNTERPISTON GREY 7 GR	CONTREPISTON GRIS 7GR.	COUNTERPISTON GREY 7 GR	CONTROPISTONE GRIGIO 7gr
6	140322061	OR 4112 EPDM	O-RING 4112 EPDM	JOINT 4112	O-Ring 4112 EPDM	OR 4112 EPDM
7	9161.247.150	ANELLO GRIGIO X PISTONE 9GR.	GREY RING FOR PISTON 9GR	ANNEAU PISTON 9GR	Scheibe grau zu Kolben	ANELLO GRIGIO X PISTONE 9GR.
8	129852821	VITE TSP M3X14 UNI 7688 INOX	TSP SCREW M3X14 UNI 7688 SS	VIS TSP M3X14 UNI 7688 SS	Senkkopfschraube 3x10	VITE TSP M3X14 UNI 7688 INOX
9	324000100	DOCCIA AC. INOX D=34 CON VITE	SS PERCOLATOR D=34 SCREW FOR UNI	GRILLE SUPERIEURE	Sieb mit Gewindestift ø34 bis Se	DOCCIA AC. INOX D=34 CON VITE
10	9161.447	PERNO DOCCIA	PIN	AXE ETANCHE GRILLE GROUPE	Rändelschraube	PERNO DOCCIA
11	NM02.006	OR R5 TERMOIL	OR R5 TERMOIL	JOINT R5 EPDM	O-Ring R5 EPDM	OR R5 TERMOIL
12	11003164	DISTANZIALE 7MM PERNO DOCCIA 7GR	SPACER 7MM PIN SHOWER 7GR.	ENTRETOISE AXE DOUCHETTE 7GR. 7M	SPACER 7MM PIN SHOWER 7GR.	DISTANZIALE 7MM PERNO DOCCIA 7GR
13	146680659	MISURINO C/FORO GRIGIO	GREY MEASURE WITH HOLE	MESURETTE GRISE	Mößfüßel	MISURINO C/FORO GRIGIO
14	1034.083.150	UTENSILE FISSAGGIO CONT.CAFFE'	BUSH		Befestigung Bohrenbehälter	
15	127390100	PENNELLO PER PULIZIA	BRUSH FOR CLEANING	PINCEAU	Reinigungspinsel	PENNELLO PER PULIZIA
16	421946017941	TUBETTO GRASSO DI LUBRIFICAZIONE	KLUBERLUB NH1 11-222 TUBE 5GR.	TUBE DE GRAISSE SILICONE 5GR.	KLUBERLUB NH1 11-222 TUBE 5GR.	TUBETTO GRASSO DI LUBRIFICAZIONE
17	U140.017	PANELVIT TCB 3.0X20 DIN 7505 B Z	PANELVIT TCB 3.0X20 DIN 7505 B G	VIS TCB 3X20	Linse-Blechschr. 3x20 DIN 7505	PANELVIT TCB 3.0X20 DIN 7505 B Z
18	1020.060.150	FLANGIA X CONTROPISTONE GRUPPO	FLANGE FOR COUNTERPISTON UNIT	FLANGIA CONTREPISTON GRUPPO	Kaffeekausaufkanal Brühgruppe	FLANGIA X CONTROPISTONE GRUPPO
19	0301.R04.150	AS.MANICOTENTRATA ACQ.GRUPP.GRI.	GREY WATER INLET SLEEVE BREW UNI	PIPETTE ENTREE EAU GROUPE CAFE	STL - Wasserreinlaufsutzen Brühg	AS.MANICOTENTRATA ACQ.GRUPP.GRI.
20	21002054	ACC PSA COF.OIL REMOVER 1UNIT CO	ACC PSA COF.OIL REMOVER 1UNIT CO	ACC PSA COF.OIL REMOVER 1UNIT CO	ACC PSA COF.OIL REMOVER 1UNIT CO	ACC PSA COF.OIL REMOVER 1UNIT CO
21	9161.064.150	MANICOTTO ENTRATA ACQ.GRUPPO G	GREY WATER INLET SLEEVE BREW UNI	PIPETTE ENTREE EAU	Einlaufsutzen grau	MANICOTTO ENTRATA ACQ.GRUPPO G
22	NM02.007	OR 2025 TERMOIL	OR 2025 TERMOIL	JOINT 2025 TERMOIL	O-Ring 2025 EPDM	OR 2025 TERMOIL
23	NM02.010	OR ORM 0050-20 TERMOIL	OR PERCOLATOR D=34 FOR UNIT	JOINT ORM 0050-20 TERMOIL	O-Ring 0050-20 EPDM	OR ORM 0050-20 TERMOIL
24	324000200	DOCCIA AC. INOX D=34 X GRUPPO	SS PERCOLATOR D=34 FOR UNIT	GRILLE INFERIEURE	Sieb ø34	DOCCIA AC. INOX D=34 X GRUPPO
25	11000740	PISTONE COMPLETO NERO X GRUPPO 7	COMPLETE PISTON FOR UNIT BLACK 7	COMPLETE PISTON FOR UNIT BLACK 7	COMPLETE PISTON FOR UNIT BLACK 7	PISTONE COMPLETO NERO X GRUPPO 7
26	11003213	RASATORE X GRUPPO CON DISTANZIAL	SCRAPER FOR UNIT WITH SPACER	RACLEUR GROUPE AVEC ENTRETOISE	SCRAPER FOR UNIT WITH SPACER	RASATORE X GRUPPO CON DISTANZIAL
27	11031604	IMPUGNATURA SUPP.RASATORE GRUPPO	HANDGRIP	PIOGNEE SUP GROUPE CAFE	IMPUGNATURA SUPP.RASATORE GRUPPO	IMPUGNATURA SUPP.RASATORE GRUPPO
28	9161.231	MOLLA X RASATORE GRUPPO 9GR.	SPRING FOR SCRAPER UNIT 9GR.	RESSORT GROUPE CAFE 9GR	Torsionsfeder f. MOL	MOLLA X RASATORE GRUPPO 9GR.
29	11004729	RASATORE GRIGIO X GRUPPO 9GR.MOD	SCRAPER GREY FOR 9GR. UNIT MODIF	RACLEUR GRIS POUR GROUPE 9GR. MO	Sudabstreifung mod. Brühgruppe 9	RASATORE GRIGIO X GRUPPO 9GR.MOD
30	12001146	OR ORM 0115-30 VITON VERDE 7075	OR ORM 0115-30 VITON GREEN 7075	JOINT ORM 0115-30 VERT 60 Shore	VITON DICHTUNG GN 0115-30	BIELLA GRIGIA X GRUPPO 9GR.
31	9161.234.150	BIELLA GRIGIA X GRUPPO 9GR.	GREY CONN. ROD FOR UNIT 9GR.	BIELLE GRISE GROUPE CAFE	Peuel. Brühgruppe 18g. grau	BIELLA GRIGIA X GRUPPO 9GR.
32	11009908	ASS.CONTENTITORE NERO 7G.TORNITO	CONTAINER ASS.BLACK 7GR	CHAMBRE DE GROUPE 7GR	SCHRAUBE 3.4X14	VITE TCBR 3.5X14 PLAST.INOX
33	129912321	VITE TCBR 3.5X14 PLAST.INOX	SCREW TCBR TORX 10 3.5X14 PLAST.	VIS TCBR TORX 10 3.5X14 PLAST.SS	"Nutmutter" M 1/4" mit O-Ring (261")	VITE TCBR 3.5X14 PLAST.INOX
34	12001375	TAPPO 1/4 M CIL.ESAG.C/O R (261ZB)	1/4 MALE CAP HEXAGONAL (261ZB R3	BOUCHON STANDARD 1/4 NIK	TORXSCHRAUBE 3X25	TAPPO 1/4 M CIL.ESAG.C/O R (261ZB)
35	12000550	VITE TCB 3X25 PLAST.INOX	SCREW TCB TORX 10 3X25 PLAST.SS	VIS TCB TORX 3x25 Plast.Ss	Feder Brühgruppenentriegelung 18	SCREW TCB TORX 10 3X25 PLAST.SS
36	9161.277	MOLLA X IMPUGNATURA GRUPPO 9GR.	SPRING FOR HANDGRIP UNIT 9GR	RESSORT DE POIGNEE GROUPE 9GR	LOCK TUBE FASTPOINT(4703AA01)	MOLLA X IMPUGNATURA GRUPPO 9GR.
37	12001616	FERMATUBO DOPPIO 6.3 FASTPOINT(4	LOCK TUBE FASTPOINT(4703AA01)	FERMETURE TUBE DOUBLE 6.3 FASTPO	LOCK TUBE FASTPOINT(4703AA01)	FERMATUBO DOPPIO 6.3 FASTPOINT(4
38	1037.043.050	RACCORDO CAFFE'	CONNECTOR COFFEE BLACK	RACCORD CAFE	Kaffeekauslauf IDEA	RACCORDO CAFFE'
39	11025879	TUBO SILICONE NERO 3.5X6 L=290MM	BLACK SILICONE TUBE 3.5X6 L=290	TUBE SILICONE NOIR 3.5X6 L=290 M	Silikonschlauch sz. 3.5x6. l=290	TUBO SILICONE NERO 3.5X6 L=290 M
40	11010043	GRUPPO CAFFE' TORNITO 7G PROFESS	BREW UNIT 7G PROFESSIONAL	GROUPE CAFE 7 GR PROFESSIONEL	GRUPPO CAFFE' TORNITO 7G PROFESS	GRUPPO CAFFE' TORNITO 7G PROFESS



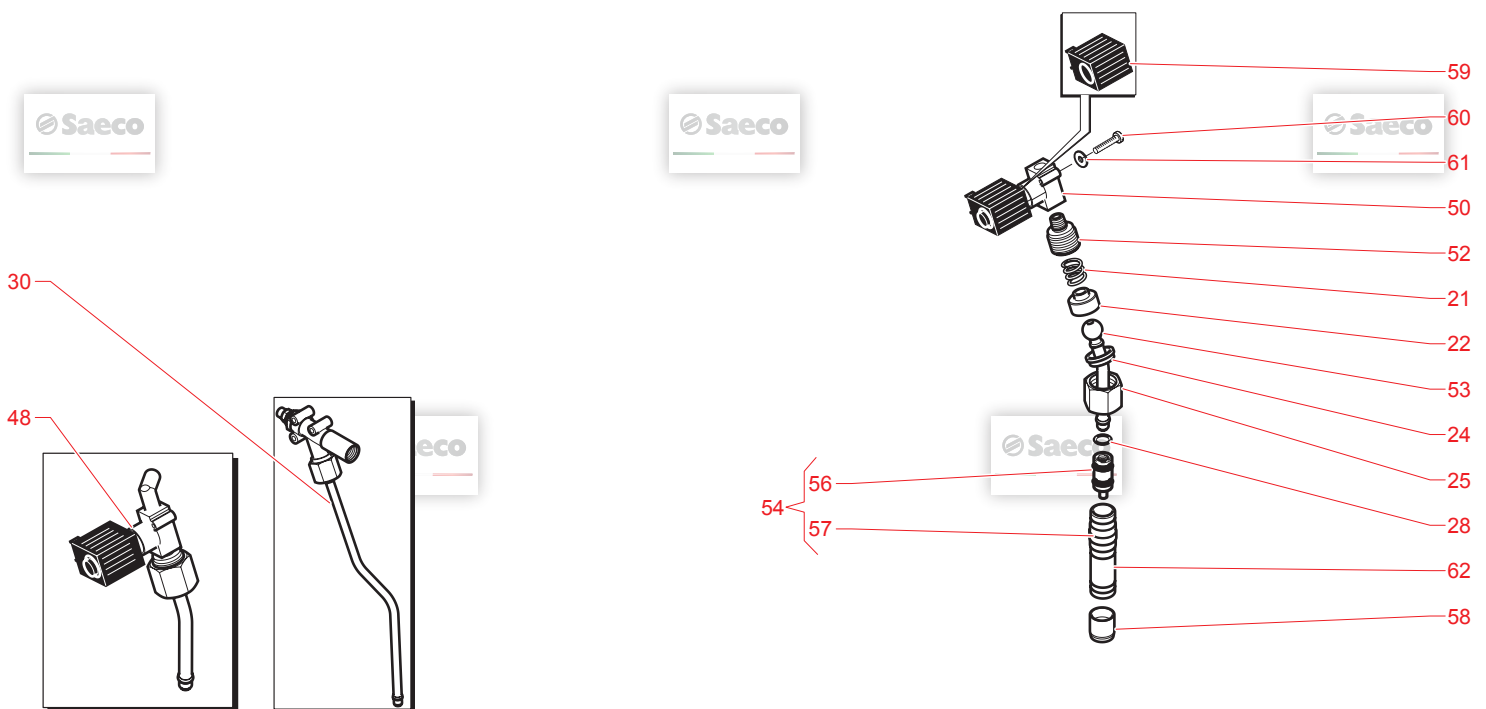
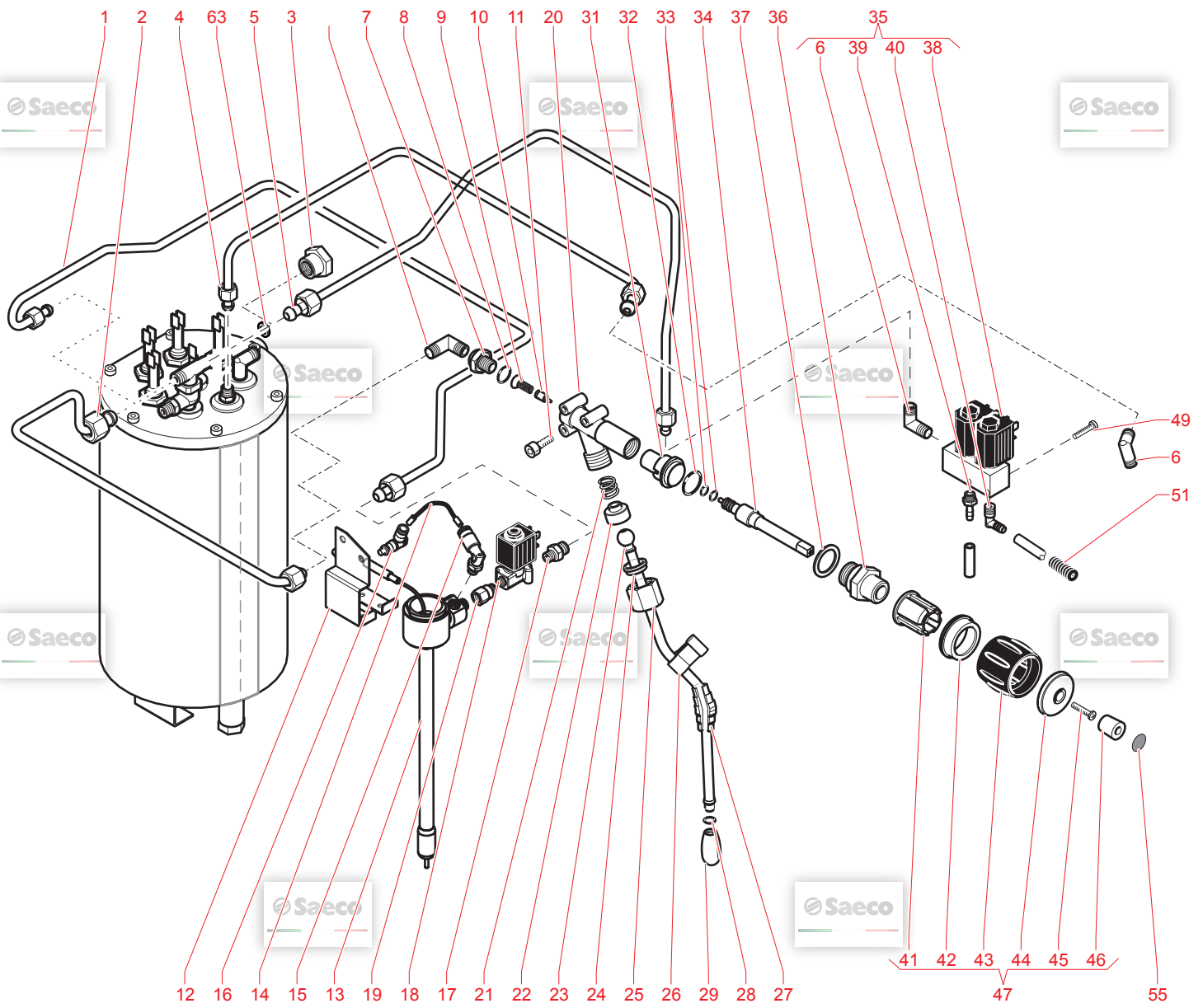
N.POSI	COD	I - DESCRIZIONE	UK - DESCRIPTION	F - DESCRIPTION	D - BEZEICHNUNG	E - DESCRIPCION	NOTE
1	11002139	ASS.MOTORIDUTTORE 24VDC FASE FIS	RATIOMOTOR ASSEMBLY 24VDC	MOTOREDUCTEUR	Brülguppenantrieb m. Montagev.	ASS.MOTORIDUTTORE 24VDC FASE FIS	
2	11002211	PROTEZIONE SCHEDA MOTORIDUTTORE	CARD PROTECTION RATIOMOTOR	CARTER MOTOREDUCTEUR	ABDECKUNG BRÜHGRUPPENANTRIEB	VITE TE M4,0X14 UNI 5739 ZNP	
3	10005010	VITE TE M4,0X14 UNI 5739 ZNP	screw TE M4,0X14 UNI 5739 GALV	VIS TE M4X0,14 UNI 5739 GALV	Schleckschraube M4x14 DIN 933	VITE TE M4,0X14 UNI 5739 ZNP	
4	U207.002	ROSETTA PIANA 4,3X9 UNI 6592 ZNP	PLAIN WASHER 4,3X9 UNI 6592 GAL	RONDELL 4,3*9 UNI6592 ZNP	Schleibe A4,3 DIN 125 verz.	ROSETTA PIANA 4,3X9 UNI 6592 ZNP	
5	11013782	ASS.CAMME SINGOLA MOTORIDUTTORE	RATIOMOTOR CAMS ASSEMBLY	ENSEMBLE CAMES MOTOREDUCTEUR	Nockenbausatz kpl. Brülguppena	ASS.CAMME MOTORIDUTTORE CAVO	
6	11002134	SCHEDA 2 SENSORI MOTORIDUTTORE	CARD 2 SENSOR RATIOMOTOR	CARTE SONDE MOTOREDUCTEUR	Sensorkarte Brülguppenantrieb	SCHEDA 2 SENSORI MOTORIDUTTORE	
7	120340804	ANELLO EL.BLOCC.ALBERI D=8 UNI 7	EL. SHAFT RETAINING RING D=8 UNI 74	CIRCLIP D=8 Uni 7436	Fachscherbe D=8 DIN 7435	ANELLO EL.BLOCC.ALBERI D=8 UNI 7	
8	11002133	GIUNTO C/ALBERO PRESSOFUSOX MOTO	JOINT WITH SHAFT FOR RATIOMOTOR	AXE MOTOREDUCTEUR	Kupplungsschelle	GIUNTO C/ALBERO PRESSOFUSOX MOTO	
9	U407.001	SPINA ELASTICA 3,0X20 UNI 6874	ELASTIC PIN 3,0X20 UNI 6874	PION ELASTIQUE 3,0x20 Uni 6875	Spannstift M3,0x20 UNI 6874	SPINA ELASTICA 3,0X20 UNI 6874	
10	10005012	VITE TE M4,0X30 UNI 5739 ZNP	screw TE M4,0X30 UNI 5739 GALV.	VIS TE M4,0X30 UNI 5739 GALV.	Schleckschraube M4x30 DIN933 v	VITE TE M4,0X30 UNI 5739 ZNP	
11	12000232	MOTORID.LIP 112B 24VDC 11RPM UCL	LIP RATIOMOTOR ST.112B 24VDC 11R	MOTOREDUCTEUR LIP ST.112b 24vdc	Brülguppenmotor 24VDC 11 RPM	MOTORID.LIP 112B 24VDC 11RPM UCL	
12	11002964	DISTANZIALE CENTRAGGIO SCHEDA 2	SPACER FOR CENTRAL CARD 2 SENSORY	PLOT DE CARTE H=9,5	Abstandhalter H=9,5	DISTANZ RICHCO CRLCBSRE-6-19 H=9	
13	NL04.014	SQUADRETTA MOTORIDUTTORE	RATIOMOTOR BRACKET	SUPPORT MOTOREDUCTEUR	HALTERUNG BRÜHGRUPPENANTRIEB	SQUADRETTA MOTORIDUTTORE	
14	1020.023	ROSETTA UNI 8842 A4 BRUNITA	WASHER UNI 8842 A4 BURNISHED	RONDELLE UNI 8842 A4	Fachscherbe A4,3 DIN 6798 verz	ROSETTA UNI 8842 A4 BRUNITA	
15	129824002	VITE TCB M4X10 UNI 7687 ZNP	TCB SCREW M4X10 UNI 7687 ZNP	VIS TCB M4X10 UNI 7687	Schraube M4x10	VITE TCB M4X10 UNI 7687 ZNP	
16	1034.4722	COPERCHIO CAFFEE/PANTHERA	PANTHER COVER COFFEE	PANTHER COVER COFFEE	PANTHER COVER COFFEE	COPERCHIO CAFFEE/PANTHERA	
17	1034.059	PERNO FISSAGGIO CONTENITORE CAFF	FIXING PIN COFFEE CONT.	AXE DE FIXATION CONTAINER CAFE	Schrauben Bohnenbehälter	PERNO FISSAGGIO CONTENITORE CAFF	
18	1034.18.230	ASS.CONTENTITORE CAFFEE	screw AUT.TCB 3,5X9,5 DIN 7981 F	ENS. CONTAINER CAFE	Linsen-Blechschr. 3,5x9,5 DIN 79	ASS.CONTENTITORE CAFFEE	
19	U110.003	VITE AUT.TCB 3,5X9,5 DIN 7981 F	COFFEE CONT.	VIS AUT.TCB 3,5X9,5 DIN 7981 F N	Bohnenbehälter transparent CONCS	VITE AUT.TCB 3,5X9,5 DIN 7981 F	
20	1034.150.230	CONTENITORE CAFFEE/ SERIGRAFATO	WHOLE GUILLOTINE	CONTAINER CAFE	Bohnenbehälter transparent CONCS	CONTENITORE CAFFEE/ SERIGRAFATO	
21	1034.A21	ASS.GHIGLIOTTINA	screw TCB M5,0X10 UNI 7687 GALV	ENSEMBLE GUILLOTINE	Verschleißscheibe kpl.	ASS.GHIGLIOTTINA	
22	U043.008	VITE TCB M5,0X10 UNI 7687 ZNP	PROTECTION COFFEE	VIS TCB M5	Linsenschraube M5x10 DIN 7985 ve	VITE TCB M5,0X10 UNI 7687 ZNP	
23	11030189	PROTEZIONE CAFFEE CIASOLA	PROTECTION COFFEE	PROTECTION CAFE	Fingerschutz zu Bohnenbehälter	PROTEZIONE CAFFEE CIASOLA	
24	1034.069.150	BOCCOLA GHIGLIOTTINA GRIGIO RAL7	BUSH GUILLOTINE	BAGUE	Hülse zu Verschleißscheibe grau	BOCCOLA GHIGLIOTTINA GRIGIO RAL7	
25	NV99.097	RONDELLA SPESORAMENTO 6X12X0,5	SHIMMING WASHER 6X12X0,5	RONDELLE 6X12X0,5	Unterlegscheibe 6X12X0,5	RONDELLA SPESORAMENTO 6X12X0,5	
26	1034.053	ASS.VITE FISSAGGIO GHIGLIOTTINA	ASS.SCREW FIXING GUILLOTINE	VIS DE FIXATION GUILLOTINE	Befestigungsschr. Verschleißssch.	ASS.VITE FISSAGGIO GHIGLIOTTINA	
27	1034.053	ASS.VITE FISSAGGIO GHIGLIOTTINA	ASS.SCREW FIXING GUILLOTINE	VIS DE FIXATION GUILLOTINE	Befestigungsschr. Verschleißssch.	ASS.VITE FISSAGGIO GHIGLIOTTINA	
28	1047.003	PANNELLO ISOLANTE UL	COFFEE CONTAINER SEAL	PANNEAU ISOLANT SUP BAC CAFE	Dichtung zu Bohnenbehälter	PANNELLO ISOLANTE UL	
29	9181.362	PANNELLO ISOLANTE UL	PANEL	PANNEAU ISOLANT INF BAC CAFE	PANEL	PANNELLO ISOLANTE UL	
30	1047.004	PANNELLO ISOLANTE UL	PANEL	PANNEAU ISOLANT INF BAC CAFE	PANEL	PANNELLO ISOLANTE UL	
31	11000059	ASS.MACINACAFFE/ BRONZO DX 230V	NSF 208V RIGHT GRINDER	ENSEMBLE MOULIN DROIT 230V	Mahlwerk kpl. 230V rechts	ASS.MACINACAFFE/ BRONZO DX 230V	
32	11026307	ASS.MACINACAFFE/ BRONZO DX 230V	COFFEE GRIND BRONZE RIGHT 230V	COFF GRINDER WITH REGOL. 230VDC	COFF GRINDER WITH REGOL. 230VDC	ASS.MACINACAFFE/ BRONZO DX 230V	
33	11034973	ASS.MACINACAFFE/ 208V NSF	NSF COFFEE GRINDER 208DC ASS.	NSF COFFEE GRINDER 208DC ASS.	NSF COFFEE GRINDER 208DC ASS.	ASS.MACINACAFFE/ 208V NSF	
34	11036995	VITE TCB M3,0X8 UNI 7687 ZNP	screw TCB M3,0X8 UNI 7687 GALV.	VIS TCBM3X8UNI 7687 ZNP	Linsenschraube M3x8 DIN 7985 ver	VITE TCB M3,0X8 UNI 7687 ZNP	
35	U043.007	VITE TCB M3,0X8 UNI 7687 ZNP	TOOTHED WHEEL Z 62 BLACK	ROUE DENTEE Z62	Verstellung Mahleinsteil. z=62.	VITE TCB M3,0X8 UNI 7687 ZNP	
36	9141.055.050	RUOTA DENTATA Z62 NERO	ADJUSTMENT RING NUT TEA			RUOTA DENTATA Z62 NERO	
37	9141.057	GHIERA REGOLAZIONE	ADJUSTMENT RING NUT	BAGUE DE REGLAGE	Gewindering d=74mm, l=17mm, Mess	GHIERA REGOLAZIONE	
38	12001176	VITE TCB C/FLANGIA M3X10 INOX BN5	SCREW TCB M3X10 INOX BN5952	VIS TCB M3X10 Inox Bt5953	SCHRAUBE M3X10 INOX BN5952	VITE TCB C/FLANGIA M3X10 INOX BN5	
39	9141.058	VITE TCB C/FLANGIA M3X10 INOX BN5	OR ORM 0050-10 NBR	JOINT OR ORM 50-10	O-Ring ORM 0050-10 NBR	VITE TCB C/FLANGIA M3X10 INOX BN5	
40	NM03.027	DISTANZIALE x MACINA IN CERAMICA	SPACER FOR GRIND IN CERAMIC	ENTRETOISE MOULIN	ABSTANDSHÜLSE	DISTANZIALE x MACINA IN CERAMICA	
41	11005111	MACINA D. 64 IN CERAMICA	GRINDER D.64 CERAMIC	MEULE CERAMIQUE D 64	Keramikmahlscheiben D=64	MACINA D. 64 IN CERAMICA	
42	11000186	CONTRODADO	TEA LOCKNUT			CONTRODADO	
43	9141.058	MOLLA TAZZA 8,2X16X0,4 DIN 2093	LOCK NUT	CONTRE ECROU	Konternut	MOLLA TAZZA 8,2X16X0,4 DIN 2093	
44	12000394	VENTOLINA 4 MOLLE A TAZZA	CUP SPRING 8,2X16X0,4 DIN 2093	RONDELLE RESSORT 8,2x16x0,4 DIN	SPRENGRING 8,2X16X0,4 DIN 2093	VENTOLINA 4 MOLLE A TAZZA	
45	11003839	CUSCINETTO ASSIALE EKKO COMPACT	FAN 4 SPRING CUP	SUPPORT DE MEULES	ZENTRIERUNG DER MAHLSCHHEIBEN	CUSCINETTO ASSIALE EKKO COMPACT	
46	NM07.001	CALOTTINA	AXIAL BEARING EKKO COMPACT	COUSSINET	Lager 44x34x4	CALOTTINA	
47	U044.002	VITE TSPC M4,0X10 UNI 7688 ZNP	screw TSPC M4,0X10 UNI 7688 GALV	VIS M4	Manikammer	VITE TSPC M4,0X10 UNI 7688 ZNP	
48	129825002	FLANGIA NERO	TCB SCREW M4X20 UNI 7687 ZNP	VIS TCB M4X8 UNI 7687	Linsenschraube M4x20 DIN 7985 ve	FLANGIA NERO	
49	9141.054.050	ASS.CANALINO USCITA CAFFEE/ NERO	BLACK FLANGE	FLASQUE NOIRE	Flansch zu Mahlwerksmotor, schwa	ASS.CANALINO USCITA CAFFEE/ NERO	
50	9141.068.050	ASS.AUTOBLOC.M4 DIN982 TYP ALTO	COFFEE OUTLET CHANNEL ASS. BLACK	CANAL CAFE	Kaffeepulverauslauf Mahlwerk	ASS.AUTOBLOC.M4 DIN982 TYP ALTO	
51	11007823	DADO AUTOBLOC.M4 DIN982 TYP ALTO	DOUBLE COFFEE GRINDER SUPPORT BL	SUPPORT MOULIN	BEFESTIGUNGSSBLECH ZU MAHLWERK	DADO AUTOBLOC.M4 DIN982 TYP ALTO	
52	123453102	ASS.SENSORE MACINACAFFE/ IDEA CS	GAUGE SELF LOCK NUT HIGH M4 DIN 9	ECROU AUTOBLOQUANT M4	Mutter M4 selbstsichernd	ASS.SENSORE MACINACAFFE/ IDEA CS	
53	10244859	ASS.SENSORE MACINACAFFE/ IDEA CS	COFFEEGRINDER SENSOR IDEA, CSA	SENSEUR MOULIN CAFE MODUL CSA	Sensor mit Kabel S40. MOL CSA	ASS.SENSORE MACINACAFFE/ IDEA CS	
54	11034713	VITE TAPT.TCB M4,0X8 DIN 7500C Z	COFFEEGRINDER SENSOR IDEA RST	VIS TCB M4X8	Sensor mit Kabel IDEA RST	VITE TAPT.TCB M4,0X8 DIN 7500C Z	
55	U127.005	MAGNETE 4 POLI	screw TAPT.TCB M4,0X8 DIN 7500C	AIMANT 4 POLES	Linsen-Blechschr. 4x8 DIN 7500	MAGNETE 4 POLI	
56	12001283	DADO M5 IN PLASTICA NNE-34814-15	NUT M5 NNE-34814-15	ECROU PLASTIQUE M5 NNE-34814-15	MagnService Mühlomotor MOL	DADO M5 IN PLASTICA NNE-34814-15	
57	9141.003	DISTANZIALE X GOMMINO	SPACER FOR RUBBER	RONDELLE D'ECARTEMENT	Befestigungsmutter M5	DISTANZIALE X GOMMINO	
58	9141.005	PERNO MANIOPOLA	KNOB PIN	AIGUILLE D'ARRÊTOIR	Distanzhülse	PERNO MANIOPOLA	
59	11037027	VITE DI INCREMENTO	WORM SCREW	VIS ENTRAÎNEMENT CAFE	Reststift l=19 mm Mahlwerk	VITE DI INCREMENTO	
60	129670202	VITE PANELVIT TCB 3,5X16 TESTA D	WORM SCREW	VIS TCB 3,5X16 TESTA D=8 ZNP	Bohmeneinschnecke, Messing	VITE DI INCREMENTO	
61	11023724	ASS.REGOLAZ. MACINACAFFE/ MODULA	MODULAR GRINDER ADJUST.ASS.	REGLAGE MOUTURE COMPL.MOD	Mahlgradeinstellung kpl. MOL	ASS.REGOLAZ. MACINACAFFE/ MODULA	
62	11026235	MOTORIDUTTORE MACINACAFFE/ 230VD	COFFEEGRINDER DUST PROTECTION	PROTECTION MOULIN A CAFE	Staubabdeckung Mahlwerk	MOTORIDUTTORE MACINACAFFE/ 230VD	
63	11026236	MOTORIDUTTORE MACINACAFFE/ 208VD	RATIOMOTOR COFFEE GRIND 230VDC	MOTEUR MOULIN A CAFE 230V DC	Mahlwerksmotor 230V	MOTORIDUTTORE MACINACAFFE/ 208VD	
64	11024370	SUPPORTO MAGNETE IDEA	RATIOMOTOR COFFEE GRIND 208VDC	MAGNET SUPPORT IDEA	Mahlwerksmotor 208V	SUPPORTO MAGNETE IDEA	
65	20006810	SPAZZOLA AMETEK 053300025.1 X 91	MOTOR BRUSH AMETEK 053300025.1 9	BROCHE DE MOTEUR AMETEK 05330002	Halterung MagnService Mühlomotor	SPAZZOLA AMETEK 053300025.1 X 91	



N.POSI COD	I - DESCRIZIONE	UK - DESCRIPTION	F - DESCRIPTION	D - BEZEICHNUNG	E - DESCRIPCION
1	11034722	PANTHER COVER COFFEE	PANTHER COVER COFFEE	PANTHER COVER COFFEE	COPERCHIO CAFFE' PANTHERA
2	1034.059	FIXING PIN COFFEE CONT.	AXE DE FIXATION CONTAINER CAFE	AXE DE FIXATION CONTAINER CAFE	PERNO FISSAGGIO CONTENITORE CAFF
3	15001180	LABEL 2 SOLUBLES COFFEE CONTAINNE	CONTAINER CAFE	CONTAINER CAFE	CONTENITORE CAFFE' SERIGRAFATO
4	1034.150.230	COFFEE CONT.	PANNEAU ISOLANT SUP BAC CAFE	PANNEAU ISOLANT SUP BAC CAFE	PANNELLO ISOLANTE UL
5	1047.003	PANEL	BAGUE	BAGUE	BOCCOLA GHIGLIOTTINA
6	1034.069.150	BUSH GUILLOTINE	RONDELLE 6X12X0.5	RONDELLE 6X12X0.5	RONDELLA SPESORAMENTO 6X12X0.5
7	NV99.097	SHIMMING WASHER 6X12X0.5	ASS SCREW FIXING GUILLOTINE	VIS DE FIXATION GUILLOTINE	ASS VITE FISSAGGIO GHIGLIOTTINA
8	1034.053	ASS SCREW FIXING GUILLOTINE	VIS TBC M5	VIS TBC M5	VITE TBC M5,0X10 UNI 7687 ZNP
9	U043.008	screw TBC M5,0X10 UNI 7687 GALV	PROTECTION COFFEE	PROTECTION COFFEE	PROTEZIONE CAFFE' C/ASOLA
10	11030159	GUILLOTINE COFFEE	PROTECTION LEFT 2 COFFEE GRIND	PROTECTION LEFT 2 COFFEE GRIND	GHIGLIOTTINA SX 2 MACINACAFFE'
11	11008176	PROTECTION COFFEE SEAL	COFFEE CONTAINER SEAL	COFFEE CONTAINER SEAL	GUARNIZIONE CONTENITORE CAFFE'
12	9181.362	PANEL	PANNEAU ISOLANT INF BAC CAFE	PANNEAU ISOLANT INF BAC CAFE	PANNELLO ISOLANTE UL
13	1047.004	LEFT ASS. CONTAINER COFFEE	ENS. CONTAINER CAFE GAUCHE	ENS. CONTAINER CAFE GAUCHE	ASS. CONTENITORE CAFFE' SINISTRO
14	11008413	NSF 208V LEFT GRINDER ASSEMBLY	ENSEMBLE MOULIN GAUCHE 230V	ENSEMBLE MOULIN GAUCHE 230V	ASS. MACINACAFFE' BRONZO SX 230V
15	11000058	COFFEE GRIND BRONZE LX 230V	VIS TCB M3X10 UNI 7687 ZNP	VIS TCB M3X10 UNI 7687 ZNP	VITE TBC M3,0X8 UNI 7687 ZNP
16	11026305	screw TBC M3,0X8 UNI 7687 GALV.	TOOTHED WHEEL Z 62 BLACK	ROUPE DENTEE Z62	RUOTA DENTATA Z62 NERO
17	U441.055.050	ADJUSTMENT RING NUT TEA	ADJUSTMENT RING NUT	BAGUE DE REGLAGE	GHIERA REGOLAZIONE
18	11037026	ADJUSTMENT RING NUT	SCREW TBC M3X10 INOX Bn5952	VIS TBC M3X10 INOX Bn5952	VITE TBC+FLANGIA M3X10 INOX BN5
19	9141.057	OR ORM 0050-10 NBR	SPACER FOR GRIND IN CERAMIC	JOINT OR ORM 50-10	OR ORM 0050-10 NBR
20	NM03.027	SPACER FOR GRIND IN CERAMIC	GRINDER D.64 CERAMIC	ENTRETOISE MOULIN	DISTANZIALE x MACINA IN CERAMICA
21	11005111	WORM SCREW	WORM SCREW	MEULE CERAMIQUE D 64	MACINA D. 64 IN CERAMICA
22	9141.078	TEA LOCKNUT	WORM SCREW	VIS ENTRAINEMENT CAFE	VITE DI INCREMENTO
23	11037027	LOCK NUT	CUP SPRING 8.2x16x0.4 DIN 2093	CONTRE ECROU	CONTRODADO
24	11000186	FAN 4 SPRING CUP	AXIAL BEARING EKKO COMPACT	RONDELLE RESSORT 8.2x16x0.4 DIN	MOLLA TAZZA 8.2x16x0.4 DIN 2093
25	12000394	CAP	DOUBLE COFFEE GRINDER SUPPORT BL	COUSSINET	VENTOLINA 4 MOLLE A TAZZA
26	11003839	screw TSPC M4,0X10 UNI 7688 GALV	BLACK FLANGE	VIS M4	CUSCINETTO ASSIALE EKKO COMPACT
27	NM07.001	TCB SCREW M4X20 UNI 7687 ZNP	RUBBER FOR COFFEE GRINDER	VIS TCB M4X8 UNI 7687	CALOTTA
28	9141.053	DOUBLE COFFEE GRINDER SUPPORT BL	PLAIN WASHER 4.3X9 UNI 6592 GAL	FLASQUE NOIRE	VITE TSPC M4,0X10 UNI 7688 ZNP
29	U044.002	RUBBER FOR COFFEE GRINDER	GALV SELF LOCK NUT HIGH M4 DIN 9	RONDELLE D'ECARTEMENT	VITE TCB M4X20 UNI 7687 ZNP
30	129825002	MAGNET SUPPORT IDEA	COFFEE GRINDER DUST PROTECTION	SILENT BLOC CAFE MOULU	FLANGIA NERO
31	9141.054.050	MOTOR MOTOR COFFEE GRIND 230VDC	RATION MOTOR COFFEE GRIND 230VDC	ECROU AUTOBLOC M4	ASS. SUPPORTO MACINACAFFE' DOPPIO
32	11007823	ASS. SUPPORTO MACINACAFFE' DOPPIO	COFFEE OUTLET CHANNEL ASS. BLACK	SUPPORT AIMANT	DISTANZIALE X GOMMINO
33	9141.003	FLANGIA NERO	TCB PANELVIT SCREW 3.5X16 TESTA	MOTEUR MOULIN A CAFE	GOMMINO X MACINACAFFE'
34	9991.005	DISTANZIALE X GOMMINO	RIGHT GRINDER ADJUST ASS.	MOTEUR MOULIN A CAFE 230V/DC	GOMMINO X MACINACAFFE'
35	U207.002	GOMMINO X MACINACAFFE'	TCB SCREW M4X10 UNI 7687 ZNP	MOTEUR MOULIN A CAFE 230V/DC	GOMMINO X MACINACAFFE'
36	123453102	DADO AUTOBLOC M4 DIN982 TYP ALTO	screw TAPT.TCB M4,0X8 DIN 7500C	ECROU AUTOBLOC M4	DADO AUTOBLOC M4 DIN982 TYP ALTO
37	11024370	SUPPORTO MAGNETE IDEA	4 POLE MAGNET	SUPPORT AIMANT	SUPPORTO MAGNETE IDEA
38	11023724	PROTEZIONE POLVERE MACINACAFFE'	NUT M5 NNE -34814-15	PROTECTION MOULIN A CAFE	PROTEZIONE POLVERE MACINACAFFE'
39	11026235	MOTORIDUTTORE MACINACAFFE' 230VD	COFFEE GRINDER SENSOR IDEA. CSA	MOTEUR MOULIN A CAFE	MOTORIDUTTORE MACINACAFFE' 230VD
40	11026236	MOTORIDUTTORE MACINACAFFE' 208VD	MOTOR BRUSH AMETEK 053300025.1 9	MOTEUR MOULIN A CAFE	MOTORIDUTTORE MACINACAFFE' 208VD
41	9141.068.050	ASS. CANALINO USCITA CAFFE' NERO	TCB PANELVIT SCREW 3.5X16 TESTA	CANAL CAFE	ASS. CANALINO USCITA CAFFE' NERO
42	129670202	VITE PANELVIT TCB 3.5X16 TESTA D	RIGHT GRINDER ADJUST ASS.	VIS TCB 3.5X16 TESTA D=8 ZNP	VITE PANELVIT TCB 3.5X16 TESTA D
43	11000184	VITE TCB M4X10 UNI 7687 ZNP	TCB SCREW M4X10 UNI 7687 ZNP	VIS TCB M4X10 UNI 7687	VITE TCB M4X10 UNI 7687 ZNP
44	U127.005	VITE TAPT.TCB M4,0X8 DIN 7500C Z	screw TAPT.TCB M4,0X8 DIN 7500C	VIS TCB M4X8	VITE TAPT.TCB M4,0X8 DIN 7500C Z
45	9141.066	MAGNETE 4 POLI	4 POLE MAGNET	AIMANT 4 POLES	MAGNETE 4 POLI
46	12001283	DADO M5 IN PLASTICA NNE-34814-15	NUT M5 NNE -34814-15	ECROU PLASTIQUE M5 NNE-34814-15	DADO M5 IN PLASTICA NNE-34814-15
47	11024859	ASS. SENSORE MACINACAFFE' IDEA CS	COFFEE GRINDER SENSOR IDEA. CSA	SENSEUR MOULIN CAFE MODUL CSA	ASS. SENSORE MACINACAFFE' IDEA CS
48	20006810	SPAZZOLA AMETEK 053300025.1 X 91	MOTOR BRUSH AMETEK 053300025.1 9	BROCHE DE MOTEUR AMETEK 05330002	SPAZZOLA AMETEK 053300025.1 X 91



N.POSI COD	I - DESCRIZIONE	UK - DESCRIPTION	F - DESCRIPTION	D - BEZEICHNUNG	E - DESCRIPCION
1	11008149	ASS.SONDA +THERMOSTATO CAFFE' IDE	ASS.PROBE+COFFEE THERMOSTAT IDEA	ENSEMBLE SONDE + THERMOSTAT 2M	ASS. SONDA + THERMOSTATO CAFFE' IDE
2	NE09.010	THERMOSTAT 135°NC FASTON 90° C/RO	THERMOSTAT 135°NC FAST, 90°+WASH	THERMOSTAT INT08L 90°	THERMOSTAT 135°NC FASTON 90° C/RO
3	12001052	VITE TCEI M4.0X6 UNI 5931 8.8 ZI	SCREW TCEI M4.0X6 DIN 912 ZIN	VIS TCEI M4.0X6 UNI 5931 ZIN	VITE TCEI M4.0X6 UNI 5931 8.8 ZI
4	226830200	MOLLA FERMA 3 THERMOSTATI	RETAIN SPRING 3 THERM. + THERMAL	RESSORT THERMOSTATIQUE	MOLLA FERMA 3 THERMOSTATI
5	U023.020	VITE TCEI M6X20 UNI 5931 8.8 ZIN	SCREW TCEI M6X20 UNI 5931 ZIN	VIS M6X20	VITE TCEI M6X20 UNI 5931 8.8 ZIN
6	NE15.031	LINGUETTA MASCHIO PIANA 6.3 D.6.	MALE TONGUE PLAIN 6.3 D.6.3	LANGUETTE DE TERRE 6.3 D.6.3	LINGUETTA MASCHIO PIANA 6.3 D.6.
7	U204.001	ROSETTA ELAS. 6.4X11.4 UNI 1751	ELAS. WASHER 6.4X11.4 UNI 1751 Z	RONDELLE	ROSETTA ELAS. 6.4X11.4 UNI 1751
8	11002771	CORPO SUPERIORE CALDAIA TEA	UPPER CASING BOILER TEA	CORPS SUPERIEUR CHAUDIERE	CORPO SUPERIORE CALDAIA TEA
9	11000972	OR 3050 FKM 80 FD PEROXIDICA	OR 3050 FKM 80 FD PEROXIDICA	OR 3050 FKM 80 FD PEROXIDI	OR 3050 FKM 80 FD PEROXIDICA
10	11007591	RES.CALD. 230V 1400W INC.800	RES.CALD. V230 W1400 INC.800	RESISTANCE 230V 1400W INC.800	RES.CALD. 230V 1400W INC.800
11	11007592	RES.CALD. 240V 1400W INC.800	RES.CALD. V240 W1400 INC.800	RESISTANCE 230V 1400W INC.800	RES.CALD. 240V 1400W INC.800
12	11010351	RES.CALD. 208V 1400W INC.800	RES.CALD. V208 W1400 INC.800	RESISTANCE 208V 1400W INC.800	RES.CALD. 208V 1400W INC.800
13	11004.010	OR ORM 0730-40 FPM 70 +5 IRHD N	OR ORM 0730-40 FPM 70+5 IRHD BL	JOINT DE CHAUDIERE OR ORM 0730-4	OR ORM 0730-40 FPM 70 +5 IRHD N
14	9011.222	CORPO INFERIORE M6 TEA	LOWER BODY M6 TEA	CORPS INFERIEUR DE CHAUDIERE M6	CORPO INFERIORE M6 TEA
15	11004424	DISTANZ.SENSORE PHILIPS M5000 AL	ALUM.SPACER FOR PHILIPS SENSOR M	ENTRETOISE ALU	DISTANZ.SENSORE PHILIPS M5000 AL
16	9991.029	DADO X RESISTENZA	NUT FOR RESISTOR	ECROU DE LA RESISTANCE	DADO X RESISTENZA
17	140321462	OR 2018 SILICONE	OR 2018 SILICONE	ECROU 1/8"	OR 2018 SILICONE
18	9991.017	DADO 1/8"	NUT 1/8"	RACCORD	DADO 1/8"
19	9991.119	NIPPL0 1/8X1/8 CON OR	NIPPL0 1/8X1/8 WITH OR	RACCORD	NIPPL0 1/8X1/8 CON OR
20	9181.401	RESCA ANGOLO M 1/8 TUBO 6 TEA	ANGULAR TOOTHED M 1/8 TUBO 6 TEA	RACCORD ANGLE M 1/8 TUBE 6 TEA	RESCA ANGOLO M 1/8 TUBO 6 TEA
21	1020.817	ASS.CABLAGGIO PTC GRUPPO	PTC UNIT HARNISS ASS.	CABLAGE PTC	ASS.CABLAGGIO PTC GRUPPO
22	11004800	ISOLANTE CALDAIA AMBRA	AMBRA BOILER ISOLATOR	ISOLANT CHAUDIERE AMBRA	ISOLANTE CALDAIA AMBRA
23	11032112	RACCORDO AL M-CIL M-CON 1/8 TEA	COUPLING TO L M-CIL M-CON 1/8 TE	RACCORD AL M-CIL M-CON 1/8 TEA	RACCORDO AL M-CIL M-CON 1/8 TEA
24	9991.118	FILTRO GIGLER	GIGLER FILTER	FILTRE GIGLER	FILTRO GIGLER
25	9041.211	TAPPO GIGLER TEA	GIGLER TEA PLUG	BOUCHON GIGLEUR TEA	TAPPO GIGLER TEA
26	1030.R11	OR ORM 0090-20 VITON VERDE	OR ORM 0090-20 VITON GREEN	JOINT VITON 90-20	OR ORM 0090-20 VITON VERDE
27	1037.R05	KIT TAPPO GIGLER	KIT CAP GIGLER	KIT GIGLER	KIT TAPPO GIGLER
28	9121.100.00P	KIT ELETTROVALVOLA 3 VIE ODE	KIT ELECTROVALVE 3 WAY	KIT ELECTROVANNE 3 VOIES	KIT ELETTROVALVOLA 3 VIE ODE
29	U208.003	ELETTROVALV. 3 VIE 24V 50/60HZ T	ELECTROVALVE 3 WAYS 24V 60HZ TEA	ELECTROVANNE 3 VOIES 24V 50/60HZ	ELETTROVALV. 3 VIE 24V 50/60HZ T
30	9041.101	ROSETTA DENT. 5,1X9 BRU	TOOTHED WASHER 5,1X9 BRU	RONDELLE 5,1X9,9 BRU	ROSETTA DENT. 5,1X9 BRU
31	U043.021	TAPPO X SUPPORTO CALDAIA	BOILER SUPPORT CAP	BOUCHON SUPPORT CHAUDIERE	TAPPO X SUPPORTO CALDAIA
32	9041.101	VITE TCBC M5.0X8 UNI 7687 ZNP	screw TCBC M5.0X8 UNI 7687 GALV.	VIS TCBCM5X8 UNI 7687 ZNP	VITE TCBC M5.0X8 UNI 7687 ZNP
33	9011.184	PERNO CALDAIA	BOILER PIN	JOINT ORM 0080-20 SILICONE	PERNO CALDAIA
34	9011.184	OR ORM 0090-20 SILICONE	OR ORM 0090-20 SILICONE	PIPETTE CHAUDIERE MODULAR	OR ORM 0090-20 SILICONE
35	9011.184	OR ORM 0050-20 SILICONE	OR ORM 0050-20 IN SILICONE	JOINT OR ORM 50-20	OR ORM 0050-20 SILICONE
36	1020.R01	BOBINA EL.VALVOLA CARICO E GRUPPO	AND UNIT	BOBINE ELECTROVANNE	BOBINA EL.VALVOLA CARICO E GRUPPO
37	11009205	ASS.CALDAIA IDEA 2M 230V	BOILER ASSEMBLY 2M 230V	CHAUDIERE COMPLETE 230V	ASS.CALDAIA IDEA 2M 230V
38	11009651	ASS.CALDAIA IDEA 2M 208V UL	BOILER ASSEMBLY IDEA 2M 208V UL	CHAUDIERE COMPLETE 208V UL	ASS.CALDAIA IDEA 2M 208V UL
39	11009769	ASS.CALDAIA IDEA 2M 240V	BOILER ASSEMBLY IDEA 2M 240V	CHAUDIERE COMPLETE 240V	ASS.CALDAIA IDEA 2M 240V



N.POSI	COD	I - DESCRIZIONE	UK - DESCRIPTION	F - DESCRIPTION	D - BEZEICHNUNG	E - DESCRIPCION	NOTE
1	11035308	TUBO VAPORE AS RST	AS RST TUBE STEAM	AS RST TUBE STEAM	AS RST TUBE STEAM	TUBO VAPORE AS RST	AS
2	11034599	ASS.TUBO VAPORE 2 MACINACAFFE'	TUBE STEAM 2 GRIND COFFEE	TUBE STEAM 2 GRIND COFFEE	TUBE STEAM 2 GRIND COFFEE	ASS.TUBO VAPORE 2 MACINACAFFE'	DUO
3	12001163	TAPPO STANDARD F 1/4 GAS TEA	STANDARD CAP F 1/4 GAS TEA	BOUCHON STANDARD F 1/4 GAS TEA	STANDARD CAP F 1/4 GAS TEA	TAPPO STANDARD F 1/4 GAS TEA	LUXE
4	11008142	ASS.TUBO ACQUA CALDA 2 MACINACAF	ASS.TUBE HOT WATER 2 GRIND COFFEE	ENSEMBLE TUBE TUBE CAPPUCCINATORE	ENSEMBLE TUBE TUBE CAPPUCCINATORE	ASS.TUBO ACQUA CALDA 2 MACINACAF	CAPPUCCINO / DUO
5	11008141	ASS.TUBO CAPPUCCINATORE 2 MACINAC	ASS.TUBE CAPPUCCINATOR 2 GRIND	ENSEMBLE TUBE CAPPUCCINATORE	ENSEMBLE TUBE CAPPUCCINATORE	RACCORDO A L M-CIL M-CON 1/8 TEA	
6	12031112	RACCORDO A L M-CIL M-CON 1/8 TEA	COUPLING TO L M-CIL M-CON 1/8 TE	RACCORDO A L M-CIL M-CON 1/8 TEA	RACCORDO A L M-CIL M-CON 1/8 TE	RACCORDO A L M-CIL M-CON 1/8 TEA	
7	11011440	RACCORDO USCITA RUBINETTO TEA	CONNECTOR FAUCET OUTLET TEA	RACCORDO	RACCORDO	RACCORDO USCITA RUBINETTO TEA	
8	NM01.054	OR 2056 SILICONE	OR 2056 SILICONE	RACCORDO CORPS DE ROBINET TEA	RACCORD CORPS DE ROBINET TEA	RACCORDO USCITA RUBINETTO TEA	
9	9181.249	MOLLA X SPILLO RUBINETTO	SPRING FOR FAUCET PIN	RESSORT PISTON ROBINET	RESSORT PISTON ROBINET	RACCORDO USCITA RUBINETTO TEA	
10	11009018	AS.PISTONCINO C/GOLA L=15.1 OTT	TEABRASS PISTON L=15.1 ASSY.	ENS PISTON L=15.1	ENS PISTON L=15.1	RACCORDO USCITA RUBINETTO TEA	
11	U046.008	VITE TEZF M6.0X16 GALV	screw TEZF M6.0X16 GALV	VIS TEF M6.0X16 GALV	VIS TEF M6.0X16 GALV	RACCORDO USCITA RUBINETTO TEA	
12	11035169	SUPPORTO AUTO STEAM BLK	BLK AUTO STEAM SUPPORT	BLK AUTO STEAM SUPPORT	BLK AUTO STEAM SUPPORT	SUPPORTO AUTO STEAM BLK	AS
13	11035351	TUBO VAPORE CON SONDA NTC 3K3 ID	RST IDEA AUTOMATIC STEAM PIPE NT	RST IDEA AUTOMATIC STEAM PIPE NT	RST IDEA AUTOMATIC STEAM PIPE NT	TUBO VAPORE CON SONDA NTC 3K3 ID	AS
14	9971.012	TUBO TEFLOON 4X6 L.150 MM	TEFLON TUBE 4X6 L.150 MM	"REGOLATORE ARIA M5 X TUBO D.6"	"REGOLATORE ARIA M5 X TUBO D.6"	TUBO TEFLOON 4X6 L.150 MM	AS
15	N2010.014	"RACCORDO 1/8" D.6 ORIENTABILE"	"CONNECTOR 1/8" D.6 REVOLVING"	"RACCORD DROIT 1/8" M x 1/4" M TEA"	"RACCORD DROIT 1/8" M x 1/4" M TEA"	"RACCORDO 1/8" D.6 ORIENTABILE"	AS
16	11001619	REGOLATORE ARIA M5 X TUBO D.6	AIR REGULATOR M5 PIPE D.6	ELECTROVANNE 2 VOIES	ELECTROVANNE 2 VOIES	REGOLATORE ARIA M5 X TUBO D.6	AS
17	11027824	"RACCORDO DIRITTO 1/8" M x 1/4" M T"	"COUPLING 1/8" M x 1/4" M TEA"	"RACCORDO DIRITTO 1/8 GAS MIF TEA"	"RACCORDO DIRITTO 1/8 GAS MIF TEA"	"RACCORDO DIRITTO 1/8" M x 1/4" M T"	AS
18	17001282	EV ODE 2 VIE 21JUN1R4V20-X031	LFBRESS 2W.EV 21JUN1R4V20-X031	CONNECTOR 1/8 GAS MIF TEA CAPS	CONNECTOR 1/8 GAS MIF TEA CAPS	EV ODE 2 VIE 21JUN1R4V20-X031	AS
19	11031852	RACCORDO DIRITTO 1/8 GAS MIF TEA	CONNECTOR 1/8 GAS MIF TEA CAPS	FAUCET BODY TEA	FAUCET BODY TEA	RACCORDO DIRITTO 1/8 GAS MIF TEA	AS
20	11011441	CORPO RUBINETTO TEA	FAUCET BODY TEA	SEMI SPHERE CONTRAST VALVE	SEMI SPHERE CONTRAST VALVE	CORPO RUBINETTO TEA	AS
21	9181.285	MOLLA CONTRASTO SEMISFERE	UPPER SEMI-SPHERE	UPPER SEMI-SPHERE	UPPER SEMI-SPHERE	MOLLA CONTRASTO SEMISFERE	AS
22	9181.261	SEMISFERA SUPERIORE	UPPER SEMI-SPHERE	UPPER SEMI-SPHERE	UPPER SEMI-SPHERE	SEMISFERA SUPERIORE	AS
23	9181.391	CANNETTA VAPORE	STEAM STEEL	TUBE VAPEUR	TUBE VAPEUR	CANNETTA VAPORE	AS
24	9181.262	SEMISFERA INFERIORE	LOWER SEMI-SPHERE	DEMISPHERE INFERIEUR	DEMISPHERE INFERIEUR	SEMISFERA INFERIORE	AS
25	9181.263	DADO X RUBINETTO	NUT FOR FAUCET	ECROU ROBINET	ECROU ROBINET	DADO X RUBINETTO	AS
26	WG4400303000	IMPUGNATURA TUBO VAPORE SAECO	GRIP STEAM TUBE	ATTACHE DE TUBE	ATTACHE DE TUBE	IMPUGNATURA TUBO VAPORE SAECO	AS
27	9181.121.050	IMPUGNATURA X TUBO NERO	HANDGRIP FOR BLACK TUBE	POIGNEE TUBE NOIR	POIGNEE TUBE NOIR	IMPUGNATURA X TUBO NERO	AS
28	140321462	OR 2018 SILICONE	O-RING 2018 SILICONE	JOINT 2018	JOINT 2018	OR 2018 SILICONE	AS
29	9181.393	SPRUZZATORE VAPORE	STEAM NOZZLE	BUSE VAPEUR EAU CHAUDE	BUSE VAPEUR EAU CHAUDE	SPRUZZATORE VAPORE	AS
30	11035083	ASS.RUBINETTO VAPORE RST	RST MODULAR STEAM FAUCET ASS.	RST MODULAR STEAM FAUCET ASS.	RST MODULAR STEAM FAUCET ASS.	ASS.RUBINETTO VAPORE RST	AS
31	11034584	ASS.RUBINETTO VAPORE DUO RST	RST MODULAR STEAM FAUCET ASS	RST MODULAR STEAM FAUCET ASS	RST MODULAR STEAM FAUCET ASS	ASS.RUBINETTO VAPORE DUO RST	AS
32	11034585	BOCCOLA MANOPOLA	BUSH	BUSH	BUSH	BOCCOLA MANOPOLA	AS
33	NM01.019	OR 2025 SILICONE	OR 3075 SILICONE	JOINT 3075	JOINT 3075	OR 2025 SILICONE	AS
34	11011681	ASTA RUBINETTO 2 MACINACAFFE' TE	FAUCET ROD 2 GRIND COFFEE TEA	AXE DE ROBINET	AXE DE ROBINET	ASTA RUBINETTO 2 MACINACAFFE' TE	AS
35	11008412	ASS.ELETTROV.CAPPUCCINATORE 2 MA	SOLENOID VALVE ASS.CAPPUCCINATOR	ENSEMBLE ELECTROVANNE CAPPUCCINA	ENSEMBLE ELECTROVANNE CAPPUCCINA	ASS.ELETTROV.CAPPUCCINATORE 2 MA	AS
36	9181.413	TAPPO RUBINETTO	TAPPO RUBINETTO	MANCHON DE ROBINET	MANCHON DE ROBINET	TAPPO RUBINETTO	AS
37	9181.383	RONDELLA TAPPO RUBINETTO	WASHER FAUCET CAP	RONDELLE RACCORD ROBINET	RONDELLE RACCORD ROBINET	RONDELLA TAPPO RUBINETTO	AS
38	11033102	EV DOPPIA 2 VIE 24V TIPO 9000 TE	EV DOUBLE 2 WAYS 24V TYPE 9000 T	EV DOUBLE 2 VOIES 24V TYPE 9000	EV DOUBLE 2 VOIES 24V TYPE 9000	EV DOPPIA 2 VIE 24V TIPO 9000 TE	AS
39	NR07.013	RESCA STANDARD M 1/8X06 NIK	STD TOOTHED CONN. M 1/8X06 NICK	RESCA STANDARD	RESCA STANDARD	RESCA STANDARD M 1/8X06 NIK	AS
40	9181.401	RESCA ANGOLO M 1/8 TUBO 6 TEA	ANGULAR TOOTHED M 1/8 TUBO 6 TEA	RACCORD ANGLE M 1/8 TUBE 6 TEA	RACCORD ANGLE M 1/8 TUBE 6 TEA	RESCA ANGOLO M 1/8 TUBO 6 TEA	AS
41	1040.101.050	SUPPORTO POMELLO VAPORE	SUPPORT	SUPPORT BOUTON VAPEUR	SUPPORT BOUTON VAPEUR	SUPPORTO POMELLO VAPORE	AS
42	1040.097	POMELLO VAPORE CROMATO	STEAM KNOB CHROMED	ANNEAU CHROME	ANNEAU CHROME	POMELLO VAPORE CROMATO	AS
43	1040.099.050	BOCCOLA POMELLO VAPORE	BUSH STEAM KNOB	BOUTON VAPEUR	BOUTON VAPEUR	BOCCOLA POMELLO VAPORE	AS
44	1040.098	TAPPO POMELLO VAPORE CROMATO	CAP KNOB STEAM	CAPUCHON BOUTON VAPEUR CHROME	CAPUCHON BOUTON VAPEUR CHROME	TAPPO POMELLO VAPORE CROMATO	AS
45	U023.003	VITE TCEI M4.0X10 UNI 5931 BRU	screw TCEI M4.0X10 UNI 5931 BURN	VIS TCEI M4.0X10 UNI 5931 BURIN.	VIS TCEI M4.0X10 UNI 5931 BURIN.	VITE TCEI M4.0X10 UNI 5931 BRU	AS
46	11003692	TAPPO RUBINETTO VAPORE	FAUCET CAP STEAM	CAPUCHON	CAPUCHON	TAPPO RUBINETTO VAPORE	AS
47	11035041	ASS. MANOPOLA VAPORE IDEA	IDEA STEAM KNOB ASSEMBLY	IDEA STEAM KNOB ASSEMBLY	IDEA STEAM KNOB ASSEMBLY	ASS. MANOPOLA VAPORE IDEA	AS
48	9180.015	ASS.RUBINETTO ACQUA	MODULAR WATER FAUCET ASS.	ROBINET COMPLET EAU	ROBINET COMPLET EAU	ASS.RUBINETTO ACQUA	AS
49	U005.012	VITE TE M4.0X30 UNI 5739 ZNP	screw TE M4.0X30 UNI 5739 GALV.	VIS TE M4.0X30 UNI 5739 GALV.	VIS TE M4.0X30 UNI 5739 GALV.	VITE TE M4.0X30 UNI 5739 ZNP	AS
50	9121.114.00P	ELETTROVALVOLA ACQUA CALDA 2 VIE	HOT WATER SOL.VALVE 2 WAY UL TEA	ELECTROVANNE EAU CHAUDE 2 VOIES	ELECTROVANNE EAU CHAUDE 2 VOIES	ELETTROVALVOLA ACQUA CALDA 2 VIE	AS
51	0701.082	MOLLA X TUBO PRODOTTO 2	SPRING FOR TUBE PRODUCT 2	RESSORT ET TUBE PRODUIT 2	RESSORT ET TUBE PRODUIT 2	MOLLA X TUBO PRODOTTO 2	AS
52	11011445	RACCORDO RUBINETTO H2O TEA	FAUCET CONNECTOR H2O TEA	RACCORD ROBINET H2O TEA	RACCORD ROBINET H2O TEA	RACCORDO RUBINETTO H2O TEA	AS
53	9181.392	CANNETTA ACQUA	WATER STEEL	EMBOUT	EMBOUT	CANNETTA ACQUA	AS
54	1020.008	KIT CANOTTO	TUBE KIT	INDICATEUR ADHESIF	INDICATEUR ADHESIF	KIT CANOTTO	AS
55	WGADM0794/003	TARGHETTA ADES.VAPOR.SILVER RESI	Adhesive Steam Nameplate	EMBOUIT EAU CHAUDE TEA	EMBOUIT EAU CHAUDE TEA	TARGHETTA ADES.VAPOR.SILVER RESI	AS
56	1020.R07	ASS.BOCCOLA LUBRIFING TEA	LUBRIFORING BUSH ASS. TEA	NON UTILISE PAR LA FRANCE ET BE	NON UTILISE PAR LA FRANCE ET BE	ASS.BOCCOLA LUBRIFING TEA	AS
57	9181.312	CANOTTO TUBO ACQUA UL TEA	WATER TUBE SLEEVE UL TEA	AERATOR/REGULATOR NEOPERL	AERATOR/REGULATOR NEOPERL	CANOTTO TUBO ACQUA UL TEA	AS
58	NV98.053	AERATORE/REGOLATORE NEOPERL	AERATOR/REGULATOR NEOPERL	BOBINE DE VALVE	BOBINE DE VALVE	AERATORE/REGOLATORE NEOPERL	AS
59	0801.R01	BOBINA EL.VALVOLA DA 10P 24V 50H	SOLENOID VALVE COIL DA 10 P 24 V	ZN-B TCB SCREW M4X16	ZN-B TCB SCREW M4X16	BOBINA EL.VALVOLA DA 10P 24V 50H	AS
60	12002052	VITE TCB M4X16 ZN-B	ZN-B TCB SCREW M4X16	RONDELLE UNI 8842 A4 BRUSHED	RONDELLE UNI 8842 A4	VITE TCB M4X16 ZN-B	AS
61	128310404	ROSETTA UNI 8842 A4 BRUNITA	WASHER UNI 8842 A4 BRUSHED	POIGNEE DE DOUILLE	POIGNEE DE DOUILLE	ROSETTA UNI 8842 A4 BRUNITA	AS
62	9181.281.050	IMPUGNATURA CANOTTO	SLEEVE HANDGRIP			IMPUGNATURA CANOTTO	AS
63	NG03/021	DISCO GUARNIZ.RAME D.11 X 1.5	COPPER GASKET DISK D.11 X 1.5			DISCO GUARNIZ.RAME D.11 X 1.5	AS

N.POSI	COD	I - DESCRIZIONE	UK - DESCRIPTION	F - DESCRIPTION	D - BEZEICHNUNG	E - DESCRIPCION	NOTE
1	9040.024.00A	ASS.CALDAIA ACQUA E VAPORE 230V	BOILER ASS. CAPPUCINATORE 230V	CHAUDIERE EAU VAPEUR	Thermoblock Heißw./Dampf 230V k	ASS.CALDAIA ACQUA E VAPORE 230V	
2	9040.024.00Z	ASS.CALDAIA ACQUA E VAPORE 208V	BOILER ASS. CAPPUCINATORE 208V	NON UTILISEE PAR LA FRANCE ET BE	Thermoblock Heißw./Dampf 208V k	OR 4055 FKM 80 FD PEROXIDICA	208V
3	NM04.016	OR 4055 FKM 80 FD PEROXIDICA	BOILER TUBE ASS.	ENS. TUBE CHAUDIERE	O-Ring 4055 Heizung MOL PEROXID	ASS.TUBO CALDAIA	
4	9041.215	ASS.TUBO CALDAIA	WATER BOILER INSULATOR	ISOLATION CHAUDIERE	Thermoblock-Unterteil	ISOLANTE CALDAIA ACQUA	
5	1034.130	ISOLANTE CALDAIA ACQUA	PIPE COIL	SERPENTIN EAU	Durchlaufröhr Heißwasser	SERPENTINA ACQUA 4 SPIRE	208V
6	9041.213.00A	RESISTENZA SUPERIORE 1500W 230V	UPPER HEAT ELEMENT 1500W 230V	RESISTANCE INF IDEA	HEIZUNG DAMPFKESSEL OBEN 230V/15	RESISTENZA SUPERIORE 1500W 230V	
7	9041.213.00Z	RESISTENZA SUPERIORE 1500W 208V	UPPER HEAT ELEMENT 1500W 208V	NON UTILISEE PAR LA FRANCE ET BE	HEIZUNG DAMPFKESSEL OBEN 230V/15	RESISTENZA SUPERIORE 1500W 230V	
8	9041.214.00A	RESISTENZA INFERIORE 1500W 230V	LOWER HEAT ELEMENT 1500W 230V	RESISTANCE IDEA	Heizung Dampfkessel unten 230V/1	RESISTENZA INFERIORE 1500W 230V	
9	9041.214.00Z	RESISTENZA INFERIORE 1500W 208V	LOWER HEAT ELEMENT 1500W 208V	NON UTILISEE PAR LA FRANCE ET BE	Heizung Dampfkessel unten 230V/1	VITE TE M6.0X12 UNI 5739 ZNP	
10	12001880	"VALV.SIC.CONV.D7/CS 3bar 1/4"-1/2"	screw TE M6.0X12 UNI 5739 GALV.	VIS TE M6.0X12 UNI 5739 GALV.	Sechskantschr.M6x12 DIN 933 verz	"VALV.SIC.CONV.D7/CS 3bar 1/4"-1/2"	
11	12000169	"SAFETY VALVE D7/CS 3bar 1/4"-1/2"	STRAIGHT CONND.8x1/4 BRASS NICK	CONNECTEUR D.8x1/4	"SAFETY VALVE D7/CS 3BAR 1/4"-1/2"	"Verschraubung gerade 1/4"-1/2" TE"	
12	11025154	RACCORDO STANDARD A T FFM 1/4 TE	STANDARD CONN. T FFM 1/4 TE	RACCORD STANDARD FFM 1/4 TE	"Verschraubung - T 1/4"-1/2" TE"	RACCORDO AL MM 1/4-1/4 TE	
13	11011448	RACCORDO A L MM 1/4-1/4 TE	"L"-CONNECTOR MM 1/4-1/4 TE;"L"	RACCORD A L MM 1/4-1/4 TE	Winkelanschluss 1/4 - 1/4 TE	RONDELLA RAME 1/4	
14	NV99.019	RONDELLA RAME 1/4	COPPER WASHER 1/4	RONDELLE	Unterlegscheibe Kupfer 1/4"	RONDELLA RAME 1/4	
15	NR07.061	TAPPO STANDARD M 1/4 GAS	STANDARD CAP M 1/4 GAS	BOUCHON M 1/4 GAS	"NUTMUTTER M 1/4"-1/2"	MOLLA FERMATERMOSTATO	
16	NE09.010	TERMOSTATO 135°NC FASTON 90° C/RO	THERMOSTAT RETAINING SPRING	RESSORT MAINTIENT THERMOSTAT	Thermostathalterfeder	TERMOSTATO 135°NC FASTON 90° C/RO	
17	9991.029	DADO X RESISTENZA	NUT FOR RESISTOR	THERMOSTAT INT08L 909	Thermostat 135° C PR	DADO X RESISTENZA	
18	U023.004	VITE TCEI M6.0X12 UNI 5931 ZIN	screw TCEI M6.0X12 UNI 5931 GALV	ECROU DE LA RESISTANCE	Sechskantschraube zur Heizschlange	VITE TCEI M6.0X12 UNI 5931 ZIN	
19	U208.006	ROSETTA DENT. 6.4X11 UNI 3703 BR	TOOTHED WASHER 6.4X11 UNI 3703	RONDELLE DOUBLE 1/8-1/8 TE	Schraube M6x12 UNI 5931 GALV.	ROSETTA DENT. 6.4X11 UNI 3703 BR	
20	9041.188	ASS.COPECHIO CALDAIA	BOILER LID ASS.	COUVERCLE DE CHAUDIERE	Zahnscheibe ø6.4x11	ASS.COPECHIO CALDAIA	
21	NM04.015	OR 4425 FKM 80 FD PEROXIDICA	OR 4425 FKM 80 FD PEROXIDICA	JOINT OR 4425 FKM	Deckel zu Thermoblock	OR 4425 FKM 80 FD PEROXIDICA	
22	11011450	RACCORDO SPECIALE A T TEA	T SPECIAL CONNECTOR TEA	RACCORD TEA	Verschraubung TEA	RACCORDO SPECIALE A T TEA	
23	11011419	RACCORDO DOPPIO 1/8-1/8 TEA	DOUBLE CONNECTOR 1/8-1/8 TEA	RACCORD DOUBLE 1/8-1/8 TEA	"Verschraubung 1/8"x1/8" TEA"	RACCORDO DOPPIO 1/8-1/8 TEA	
24	11034560	ASS.TUBO VALVOLA SFIATO	TUBE LEAK VALVE	TUBE VAPEUR LAITON	Rohr kpl. zu Entlüftungsventil	ASS.TUBO VALVOLA SFIATO	
25	1020.004	ATTREZZO TARATURA PRESSOSTATO	PRESSURE SWITCH CALIBRATING TOOL	MANOMETRE PRESSION MODULA	Druckprüfer Modular	ATTREZZO TARATURA PRESSOSTATO	
26	NE08.004	PRESSOSTATO MATER XP110	PRESSURE SWITCH MATER XP110	PRESSOSTAT SAECO MODULAR	Pressostat P100 1-2,5 bar	PRESSOSTATO MATER XP110	
27	1034.A11	ASS.VALVOLA SFIATO	VENT VALVE	VALVE DE DECOMPRESSION	Kit Entlüftungsventil	ASS.VALVOLA SFIATO	
28	11030453	"RESCA F1/2" Ch.24 D.J.TUBO 7.8"	"CONNECTOR F1/2" Ch.24 D.J.TUBE 7.8"	"RACCORD F 1/2" Ch.24 D.J.TUBO 7.8"	"Raccord F 1/2" Ch.24 D.J.TUBO 7.8"	"RESCA F1/2" Ch.24 D.J.TUBO 7.8"	
29	9181.398	ASS.TUBO PRESSOSTATO	TUBE	TUBE	Leitung zu Pressostat	ASS.TUBO PRESSOSTATO	
30	11011449	RACCORDO A L MMM 1/4-1/4-1/4 TEA	"L"-CONNECTOR MMM 1/4-1/4-1/4 TE"	"RACCORD T-1/4"-1/4"-1/4" TEA"	"Raccord T-Form 1/4"-1/4"-1/4" TE"	RACCORDO A L MMM 1/4-1/4-1/4 TEA	
31	9041.208	TAPPO VALVOLA DEPRESSIONE	VACUUM VALVE CAP	BOUCHON VALVE DEPRESSION	Ventilkappe Modular Messing	TAPPO VALVOLA DEPRESSIONE	
32	NM01.016	OR 3068 SILICONE	OR 3068 SILICONE	JOINT 3068	O-Ring 3068 Silicon	OR 3068 SILICONE	
33	9040.008	ASS.VALVOLA DEPRESSIONE	VACUUM VALVE ASS.	VALVE DE DEPRESSION	Reduzierventil	ASS.VALVOLA DEPRESSIONE	
34	9181.368	RACCORDO A L MF 1/4-1/4 TEA	"L"-CONNECTOR MF 1/4-1/4 TE;"L"	RACCORD EN L MF 1/4-1/4 TEA	"Raccord L-Form MF 1/4W-1/4" TEA"	RACCORDO A L MF 1/4-1/4 TEA	
35	9040.009	ASS.SONDA LIVELLO MODULAR	MODULAR LEVEL PROBE ASS.	ENS.SONDE NIVEAU MODULAR	Niveausonde MOL	ASS.SONDA LIVELLO MODULAR	
36	11032112	RACCORDO A L M-CIL M-CON 1/8 TEA	COUPLING TO L M-CIL M-CON 1/8 TE	RACCORD A L M-CIL M-CON 1/8 TEA	COUPLING TO L M-CIL M-CON 1/8 TE	RACCORDO A L M-CIL M-CON 1/8 TEA	



Idea RST

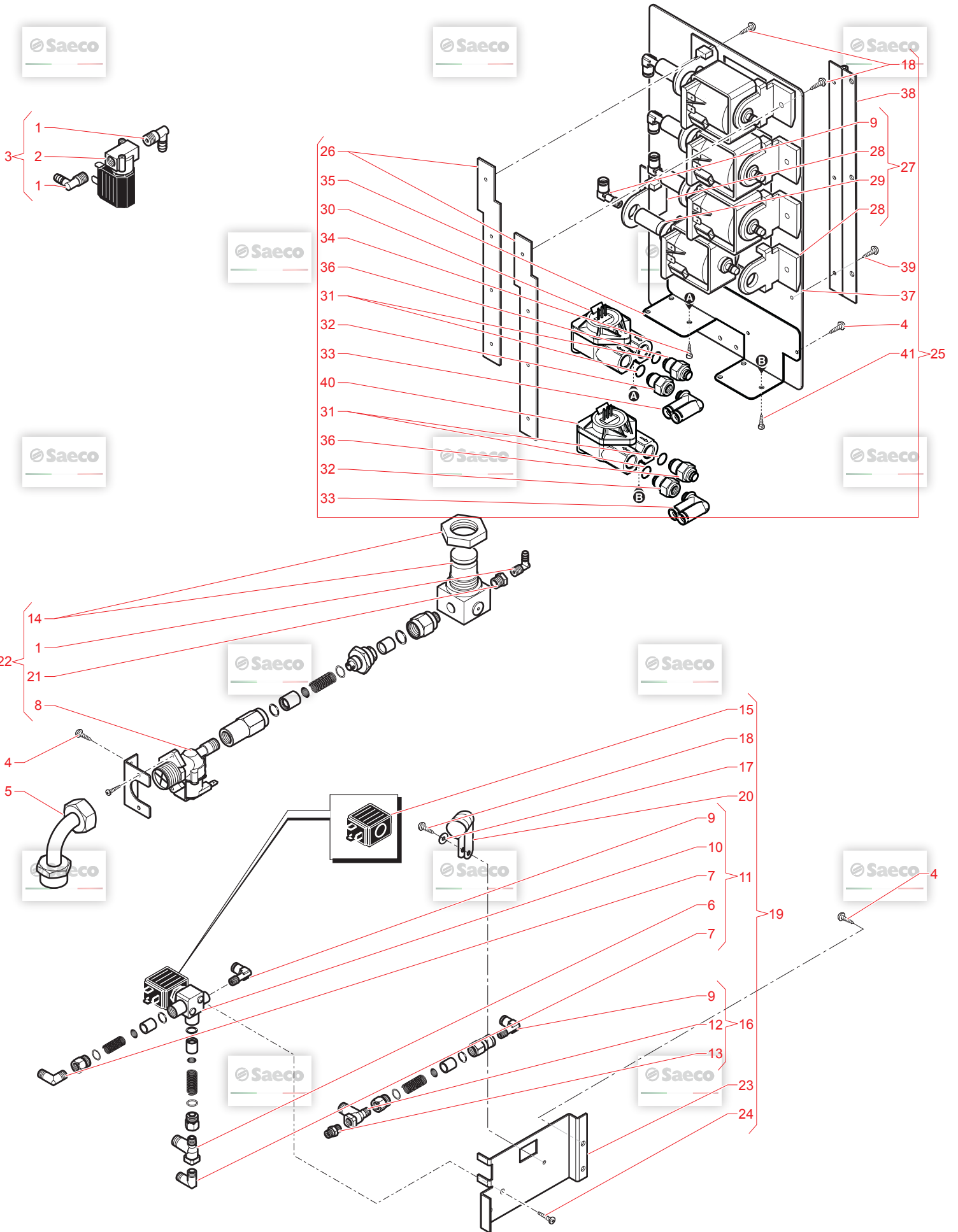
14/03/2019

09

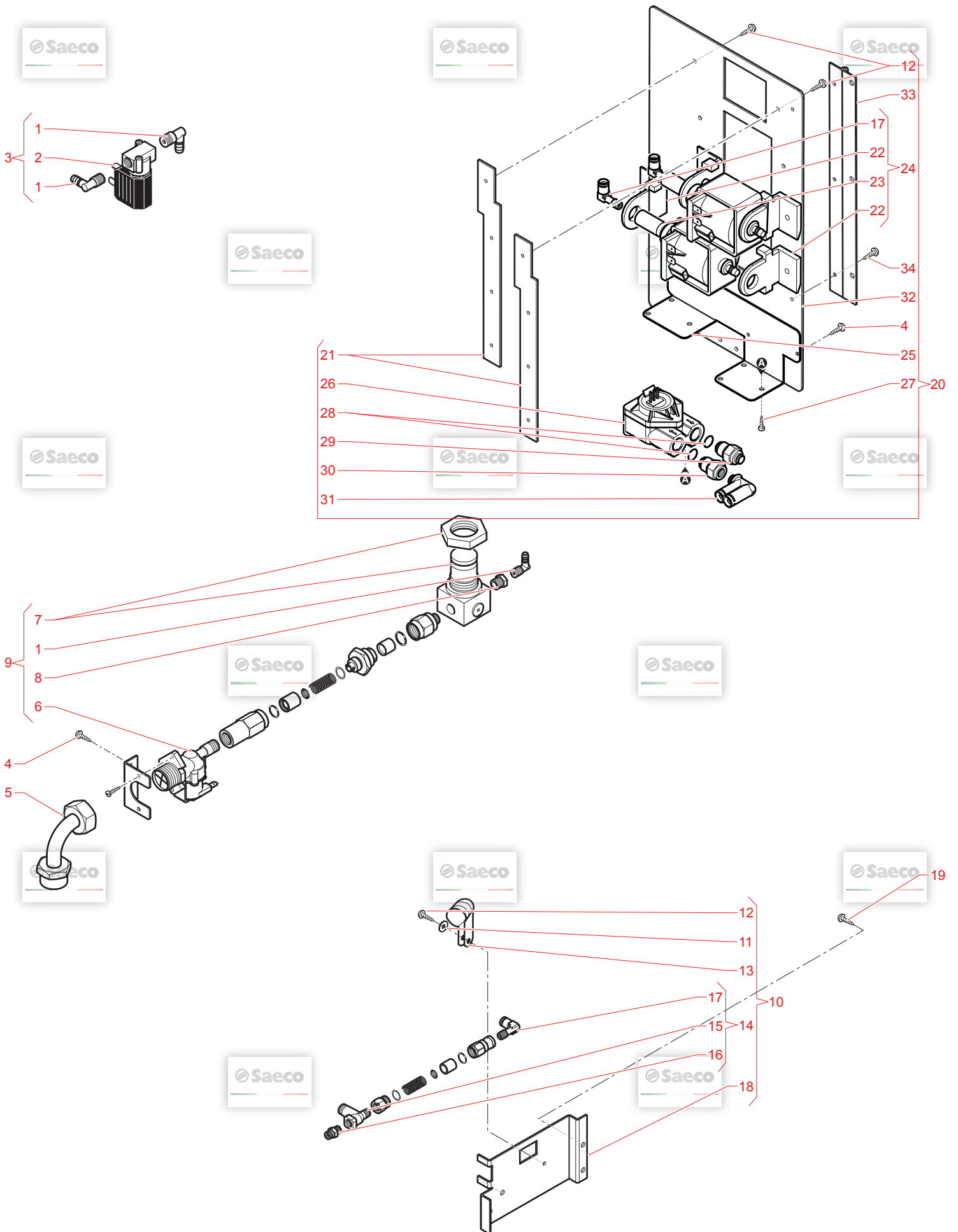
E019.054

GAGGIO MONTANO

© by Saeco, a company of Evoca Group



N.POSI COD	I - DESCRIZIONE	UK - DESCRIPTION	F - DESCRIPTION	D - BEZEICHNUNG	E - DESCRIPCION	NOTE
1	9181.401	ANGULAR TOOTHED M 1/8 TUBO 6 TEA	RACCORD ANGLE M 1/8 TUBE 6 TEA	Winkelstück 1/8-6mm	RESCA ANGOLO M 1/8 TUBO 6 TEA	220V
2	11032924	"EV.2VIE-24VDC-7W-F/1/8"-D.1.2-1"	"EV.2VIE-24VDC-7W-F/1/8"-D.1.2-1"	"EV.2VIE-24VDC-7W-F/1/8"-D.1.2-1"	"EV.2VIE-24VDC-7W-F/1/8"-D.1.2-1"	220V
3	11035078	ASS. EV ACQUA FREDDA	SOLENOID COLD WATER ASSEMBLY	SOLENOID COLD WATER ASSEMBLY	ASS. EV ACQUA FREDDA	220V
4	U110.004	VITE AUT.TCB 3.5X6.5 DIN 7981 F	VIS AUT.TCB 3.5X6.5 DIN 7981 F	Schraube 3.5X6.5 DIN7981 F	VITE AUT.TCB 3.5X6.5 DIN 7981 F	
5	9181.396	RACCORDO INGRESSO A 90° MF 3/4-3/4	INTAKE CONNECTOR 90° MF 3/4-3/4	RACCORD 90° MF 3/4-3/4	RACCORDO INGRESSO A 90° MF 3/4-3/4	
6	9181.308	ASS.VALVOLA ESPANSIONE 6-8 TEA	EXPANSION VALVE ASS.6-8 TEA	VALVE DE SECURITE 6-8 BAR TEA	ASS.VALVOLA ESPANSIONE 6-8 TEA	
7	11032112	RACCORDO AL M-CIL M-CON 1/8 TEA	COUPLING TO L M-CIL M-CON 1/8 TEA	RACCORD AL M-CIL M-CON 1/8 TEA	RACCORDO AL M-CIL M-CON 1/8 TEA	
8	9121.058.00W	ELETTROVALVOLA RPE 3/4-1/4 24V A	SOLENOID VALVE RPE 3/4-1/4 24V A	ELECTROVALV RPE 3/4-1/4 24V AC	ELETTROVALVOLA RPE 3/4-1/4 24V A	
9	9181.348	"RACCORDO 1/8" CONICO A 90° OTT/T"	"TEA/BRASS CONNECTOR 1/8" CONICAL"	"RACCORD CONIQUE 1/8" 90°"	"RACCORDO 1/8" CONICO A 90° OTT/T"	
10	11011451	ELETTROV. CARICO 2 VIE 24V 50/60 H	SOLENOID VALVE 2-WAY 24V 50/60 H	ELECTROVALV 2 VOIES 24V 50/60HZ	SOLENOID VALVE 2-WAY 24V 50/60 H	
11	1034.A05.00P	ASS.ELETTROVALVOLA CARICO	SOLENOID VALVE ASS.CAPPUCCINATOR	BLOC ELECTROVALVANE	ASS.ELETTROVALVOLA CARICO	
12	9181.407	ASS.VALVOLA ESPANSIONE 16-18 UL	EXPANSION VALVE ASS. 16-18 UL TEA	VALVE EXPANSION 16-18 UL TEA	ASS.VALVOLA ESPANSIONE 16-18 UL	
13	11011419	RACCORDO DOPPIO 1/8-1/8 TEA	DOUBLE CONNECTOR 1/8-1/8 TEA	RACCORD DOUBLE 1/8-1/8 TEA	RACCORDO DOPPIO 1/8-1/8 TEA	
14	NV99.007	RID.PRESS.1BAR.1/4 MRABIT 520800	PRESS. REDUCER. 1BAR 1/4 MRABIT AND UNIT	DETENTEUR 1 BAR 1/4	RID.PRESS.1BAR 1/4 MRABIT 520800	
15	1020.R01	BOBINA EL. VALVOLA CARICO E GRUPPO	BOBINE ELECTROVALVANE	BOBINE ELECTROVALVANE	AEL VALVOLA CARICO E GRUPPO	
16	1034.A04	ASS.DISTRIBUTORE CAFFE' TEA	COFFEE DISPENSER TEA	ENS DISTRIBUTION CAFE TEA	ASS.DISTRIBUTORE CAFFE' TEA	
17	NF11.100	FASCETTA RICHO TIPO SPN-10	CLIP SPN 10	CLIP spn 10	FASCETTA RICHO TIPO SPN-10	
18	U110.002	VITE AUT.TCB 3.5X13 DIN 7981 F Z	screw AUT.TCB 3.5X13 DIN 7981 F	VIS TCB 3.5X13	VITE AUT.TCB 3.5X13 DIN 7981 F Z	
19	1034.A06.00P	ASS.VALVOLE	ENS. VANNES	ENS. VANNES	ASS.VALVOLE	
20	U201.005	ROSETTA PIANA 4,3X12 DIN 7349 ZN	PLAIN WASHER 4,3X12 DIN 7349 GAL	"REDUCTION 4,3X12 DIN 7349 ZNP	ROSETTA PIANA 4,3X12 DIN 7349 ZN	
21	9181.404	"RIDUZIONE MF 1/4"X1/8" TEA"	"REDUCTION MF 1/4"X1/8" TEA"	"REDUCTION MF 1/4"X1/8" TEA"	"RIDUZIONE MF 1/4"X1/8" TEA"	
22	1034.A03.00W	ASS.REGOLATORE DI PRESSIONE	PRESSURE REGULATOR ASS.	ENS. REGULATEUR DE PRESSION	ASS.REGOLATORE DI PRESSIONE	
23	1034.087	SUPPORTO ELETTROVALVOLA ACQUA	BLACK TURBINE SUPPORT	SUPPORT DEBITMETRE	SUPPORTO ELETTROVALVOLA ACQUA	
24	129823802	VITE TCB M4X8 UNI 7687 ZNP	TCB SCREW M4X8 UNI 7687 ZNP	VIS TCB M4X8 UNI 6854	VITE TCB M4X8 UNI 7687 ZNP	
25	11036798	ASS.PIASTRA POMPE 230V + TURBINA	PLATE PUMPS 230V + TURBINE	ENSEMBLE POMPE PLAQUE DEBITMETRE	ASS.PIASTRA POMPE 230V + TURBINA	
26	11036822	ASS.PIASTRA POMPE 208V + TURBINA	PLATE PUMPS 208V + TURBINE	ENSEMBLE POMPE PLAQUE DEBITMETRE	ASS.PIASTRA POMPE 208V + TURBINA	
27	11036823	ASS.PIASTRA POMPE 220V + TURBINA	PLATE PUMPS 220V + TURBINE	ENSEMBLE POMPE PLAQUE DEBITMETRE	ASS.PIASTRA POMPE 220V + TURBINA	
28	1034.033	PIATTO FISSAGGIO POMPE	PLATE FIXING PUMPS	PLAQUE FIXATION POMPE	PIATTO FISSAGGIO POMPE	
29	11032094	ASS.POMPA IDEA 230V	PUMP IDEA 230V	ENSEMBLE POMPE	ASS.POMPA IDEA 230V	
30	11032095	ASS.POMPA IDEA 220V 60HZ	PUMP IDEA 220V 60HZ	ENSEMBLE POMPE	ASS.POMPA IDEA 220V 60HZ	
31	11032096	ASS.POMPA IDEA 208V 60HZ	PUMP IDEA 208V 60HZ	ENSEMBLE POMPE	ASS.POMPA IDEA 208V 60HZ	
32	149205850	SUPP.POMPA TYP ULKA C/SMUSSO NER	BLACK TYPE ULKA PUMP W/BEVEL SUP	SUPPORT POMPE ULKA	SUPP.POMPA TYP ULKA C/SMUSSO NER	
33	12002320	POMPA ULKA EX5GW 220 VOLT	ULKA PUMP EX5GW 220 VOLT	ULKA PUMP EX5GW 220 VOLT	POMPA ULKA EX5GW 220 VOLT	
34	187702958	POMPA A VIBRAZIONE 230VOLT	PUMP 230 VOLT	PUMP 230 VOLT	POMPA A VIBRAZIONE 230VOLT	
35	9070.035.00Z	POMPA ULKA EAP5 220V 60HZ	ULKA PUMP EAP5 220V 60HZ	ULKA PUMP EX5 220V / 60HZ	POMPA ULKA EAP5 220V 60HZ	
36	20020210	TURBINA GICAR PLASTICA D.2	PLASTIC GICAR FLOWMETER D.2	PLASTIC GICAR FLOWMETER D.2	TURBINA GICAR PLASTICA D.2	
37	NM01.049	OR ORM 0070-20 SILICONE	OR ORM 0070-20 SILICONE	OR RING ORM 0070-20	OR ORM 0070-20 SILICONE	
38	9181.407	RAC.TURBINA MF 1/4 1/8 OT/TEA	TEA/BRASS CONNECTOR TURBINE MF 1/4 1/8 TEA	RACCORD TURBINE MF 1/4 1/8 TEA	RAC.TURBINA MF 1/4 1/8 OT/TEA	
39	11008823	RAC.90° DOPPIO FAST LOCK OT/TEA	TEA/BRASS 90° CONNECTOR DOUBLE F	RACCORD 90° DOUBLE	RAC.90° DOPPIO FAST LOCK OT/TEA	
40	U109.011	VITE AUT.TCB 3.9X9.5 DIN 7981 C	screw AUT.TCB 3.9X9.5 DIN 7981 C	VIS TCB3.9X9.5DIN7981CNK	VITE AUT.TCB 3.9X9.5 DIN 7981 C	
41	11036796	SUPPORTO FISSAGGIO TURBINE	SUPPORT FIXING FLOWMETER	SUPPORT FIXING FLOWMETER	SUPPORTO FISSAGGIO TURBINE	
42	9181.407	RAC.TURBINA R.I.OT/TEA	TEA/BRASS CONNECTOR WATER SYSTEM	RACCORD	RAC.TURBINA R.I.OT/TEA	
43	1034.025	PIASTRA POMPE	PUMP PLATE	SUPPORT DE POMPE	PIASTRA POMPE	
44	1034.027	CERNIERA	HINGE	CHARNIERE	CERNIERA	
45	11002003	VITE AUT.TCB 3.5X9.5 DIN 7981 F	screw AUT.TCB 3.5X9.5 DIN 7981 F	VIS AUT.TCB 3.5X9.5 DIN 7981 F	VITE AUT.TCB 3.5X9.5 DIN 7981 F	
46	U200.011	TURBINA GICAR OTTONE/PLASTICA D.	BRASS/PLASTIC GICAR FLOWMETER D.	TURBINE GICAR LAITON/PLASTIQUE D	TURBINA GICAR OTTONE/PLASTICA D.	
47	129824002	VITE TCB M4X10 UNI 7687 ZNP	TCB SCREW M4X10 UNI 7687 ZNP	VIS TCB M4X10 UNI 7687	VITE TCB M4X10 UNI 7687 ZNP	



N.POSI COD	I - DESCRIZIONE	UK - DESCRIPTION	F - DESCRIPTION	D - BEZEICHNUNG	E - DESCRIPCION	NOTE
1	9181.401	ANGULAR TOOTHED M 1/8 TUBO 6 TEA	RACCORD ANGLE M 1/8 TUBE 6 TEA	Winkelstück 1/8-6mm	RESCA ANGOLO M 1/8 TUBO 6 TEA	220V
2	11032924	"EV.2VIE-24VDC-7W-F/1/8"-D.1.2-1"	"EV.2VIE-24VDC-7W-F/1/8"-D.1.2-1"	"EV.2VIE-24VDC-7W-F/1/8"-D.1.2-1"	"EV.2VIE-24VDC-7W-F/1/8"-D.1.2-1"	220V
3	11035078	SOLENOID COLD WATER ASSEMBLY	SOLENOID COLD WATER ASSEMBLY	SOLENOID COLD WATER ASSEMBLY	ASS. EV ACQUA FREDDA	220V
4	U110.004	screw AUT.TCB 3.5X6.5 DIN 7981 F	VIS AUT.TCB 3.5X6.5 DIN 7981 F	Schraube 3.5X6.5 DIN7981 F	VITE AUT.TCB 3.5X6.5 DIN 7981 F	
5	9181.396	INTAKE CONNECTOR 90° MF 3/4-3/4	SOLENOID VALVE RPE 3/4-1/4 24V A	Raccord 90° 3/4"-3/4" zu Druckm.	RACCORDO INGRESSO A 90° MF 3/4-3/4	
6	9121.058.00W	SOLENOID VALVE RPE 3/4-1/4 24V A	ELECTROVALVE RPE 3/4-1/4 24V AC	Elektroventil 3/4 - 1/4 24V AC	ELETTROVALVOLA RPE 3/4-1/4 24V A	
7	NV99.007	PRESS. REDUCER 1BAR 1/4 MRABIT	"REDUCTION MF 1/4"X1/8" TEA	REDUCTION MF 1/4 X 1/8	RID.PRESS.1BAR 1/4 MRABIT 520800	
8	9181.404	"REDUCTION MF 1/4"X1/8" TEA"	"REDUCTION MF 1/4"X1/8" TEA-REDUC"	"REDUCTION MF 1/4"X1/8" TEA"	"RIDUZIONE MF 1/4"X1/8" TEA"	
9	1034.A03.00W	PRESSURE REGULATOR ASS.	ENS. REGULATEUR DE PRESSION	Druckreduzierer kpl. CONC.Servi	ASS.REGOLATORE DI PRESSIONE	
10	1036.A02.00P	PLAIN WASHER 4,3X12 DIN 7349 GAL	RONDELLE 4,3X12 DIN 7349 ZNP	Schelbe 4,3x12 DIN 7349 verz.	ROSETTA PIANA 4,3X12 DIN 7349 ZN	
11	U201.005	screw AUT.TCB 3.5X13 DIN 7981 F	VIS TCB 3.5X13	Linsen-Blechschr. 3.5X13 DIN 798	VITE AUT.TCB 3.5X13 DIN 7981 F Z	
12	U110.002	CLIP RICHCO SPN-10	CLIP ssm 10	Sicherheitsklemme SPN-10	FASCETTA RICHCO TIPO SPN-10	
13	NF11.100	COFFEE DISPENSER TEA	ENS DISTRIBUTION CAFE TEA	Verteller kpl. Kaffee CONC.Servi	ASS.DISTRIBUTORE CAFFE' TEA	
14	1034.A04	EXPANSION VALVE ASS. 16-18 UL TE	VALVE EXPANSION 16-18 UL TEA	Expansionsventil TEA beschichtet	ASS.VALVOLA ESPANSIONE 16-18 UL	
15	9181.307	DOUBLE CONNECTOR 1/8-1/8 TEA	RACCORD DOUBLE 1/8-1/8 TEA	"Verschraubung 1/8"x1/8" TEA"	RACCORDO DOPIO 1/8-1/8 TEA	
16	11011419	"TEA/BRASS CONNECTOR 1/8" CONICAL"	"RACCORD CONIQUE 1/8" 90°"	"Raccord 90 1/8" conisch"	"RACCORDO 1/8" CONICO A 90° OTT/T"	
17	9181.348	BLACK TURBINE SUPPORT	SUPPORT DEBITMETRE	WINKELBLECH SCHWARZ ZUTURBINE	SUPPORTO ELETTROVALVOLA ACQUA	
18	1034.087	screw AUT.TCB 3.5X6.5 DIN 7981 F	VIS AUT.TCB 3.5X6.5 DIN 7981 F	Schraube 3.5X6.5 DIN7981 F	VITE AUT.TCB 3.5X6.5 DIN 7981 F	
19	U110.004	PUMPS 230V	ENSEMBLE POMP 230V	Montageplatte mit 2 Pumpen 230V	ASS.POMPE 230V	
20	11036860	PUMPS 220V 60HZ	ENSEMBLE POMP 220V 60HZ	Montageplatte mit 2 Pumpen 220V	ASS.POMPE 220V 60HZ	220V
21	1034.033	PLATE FIXING PUMPS	PLAQUE FIXATION POMPE	Befestigungsblech zu Pumpen	PIATTO FISSAGGIO POMPE	
22	149205850	BLACK TYPE ULKA PUMP W/BEVEL SUP	SUPPORT POMPE ULKA	GLUMMHALTER PUMPE	SUPP.POMPA TYP ULKA C/SMUSSO NER	
23	12002320	ULKA PUMP EX5GW 220 VOLT	ULKA PUMP EX5GW 220 VOLT	ULKA PUMP EX5GW 220 VOLT	POMPA ULKA EX5GW 220 VOLT	220V
24	187720958	PUMP 230 VOLT	PUMP 230 VOLT	Pumpe	POMPA A VIBRAZIONE 230VOLT	
25	11032095	PUMP IDEA 220V 60HZ	ENSEMBLE POMPE	Pumpe	ASS.POMPA IDEA 230V	
26	1036796	SUPPORT FIXING FLOWMETER	SUPPORT FIXING FLOWMETER	SUPPORT FIXING FLOWMETER	ASS.POMPA IDEA 220V 60HZ	
27	129824002	BRASS/PLASTIC GICAR FLOWMETER D.	TURBINE GICAR/LAITON/PLASTIQUE D	TURBINA GICAR OTTONE/PLASTICA D.	TURBINA GICAR OTTONE/PLASTICA D.	
28	NM01.049	TCB SCREW M4X10 UNI 7687 ZNP	VIS TCB M4X10 UNI 7687	Schraube M4x10	VITE TCB M4X10 UNI 7687 ZNP	
29	9181.407	OR ORM 0070-20 SILICONE	JOINT OR ORM.0070-20	O-Ring ORM 0070-20	OR ORM 0070-20 SILICONE	
30	9181.406	TEA/BRASS CONNECTOR WATER SYSTEM	RACCORD	Raccord zu Flowmeter TEA beschic	RAC.TURBINA R.I OT/TEA	
31	11008823	TEA/BRASS CONNECTOR TURBINE MF 1	RACCORD TURBINE MF 1/4 1/8 TEA	"Raccord zu Turbine MF 1/4" 1/8" "	RAC.TURBINA MF 1/4 1/8 OT/TEA	
32	1034.027	PIASTRA POMPE	RACCORD 90° DOUBLE	Doppelraccord 90° TEA beschichte	RAC.90° DOPIO FAST LOCK OT/TEA	
33	U110.003	HINGE	SUPPORT DE POMPE	Scharnier	PIASTRA POMPE	
34	U110.003	screw AUT.TCB 3.5X9.5 DIN 7981 F	VIS AUT.TCB 3.5X9.5 DIN 7981 F N	Linsen-Blechschr. 3.5X9.5 DIN 79	VITE AUT.TCB 3.5X9.5 DIN 7981 F	

N.POSI COD	I - DESCRIZIONE	UK - DESCRIPTION	F - DESCRIPTION	D - BEZEICHNUNG	E - DESCRIPCION
1	11035035	ASS.CANALINO RACCOGLIGOCCE RST	DUCT DRIP RST ASSEMBLY	DUCT DRIP RST ASSEMBLY	ASS.CANALINO RACCOGLIGOCCE RST
2	9972.185	TUBO SILICONE 6X10 L.440MM	TUBE SILICONE 6X10 L.440 MM	Silikon-schlauch 6x9 L=440 mm	
3	12000661	CAPP.SILIC.DI:4,5 DE:7,5 L:12 EC	CACHE SILICONE DI:4,5 DE:7,5 L:12	Silikon-kappe	
4	U140.017	PANELVIT TCB 3,0X20 DIN 7505 B G	VIS TCB 3X20	Linsen-Blechschr. 3x20 DIN 7505	PANELVIT TCB 3,0X20 DIN 7505 B Z
5	NE05.050	MICROINTERRUTTORE	MICRO CONTACT	Mikroschalter Brdggruppe, MOL	MICROINTERRUTTORE
6	1034.088.050	CANALINO RACCOGLIGOCCE NERO	DRIP CHANNEL SEAL	CANAL ECOULEMENT	CANALINO RACCOGLIGOCCE NERO
7	1020.038	GUARNIZIONE CANALINO RACCOGLIGOC	GARNITURE CANAL EAUJ USEEES	Dichtung zu Wasserlaufkanal	GUARNIZIONE CANALINO RACCOGLIGOC
8	NV99.003	TUBO FLESSIBILE FF 3/4 L=1800 90	TUYAU FLEX FF3/4 L1800 90	Schlauch FF 3/4" 90° L=1800	TUBO FLESSIBILE FF 3/4 L=1800 90
9	9991.145	RACCORDO IN GOMMA 90° X ELETTROV	CONN. IN RUBBER 90 DEG. FOR SOL.	Gummiraccord 90° z.El.-Magneten	RACCORDO IN GOMMA 90° X ELETTROV
10	9972.055	TUBO SILICONE 7X11 L.2000MM	SILICONE TUBE 7X11 L.2000MM	Silikon-schlauch 8x12 L=2000	TUBO SILICONE 8X12 L=2000 MM
11	11008128	ASS.TUBO SERPENTINA 2 MACINACAFF	COILED TUBE 2 COFFEE GRIND	ASS.TUBO SERPENTINA 2 MACINACAFF	ASS.TUBO SERPENTINA 2 MACINACAFF
12	11008129	ASS.TUBO CARICO VAPORE 2 MACINAC	ASS.STEAM TUBE 2 COFFEE GRIND	KUPFERLTG. DAMPF	ASS.TUBO CARICO VAPORE 2 MACINAC
13	11008140	ASS.TUBO CALDAIA CAFFE' 2 MACINA	ASS.TUBE BOILER COFFEE 2 GRIND	TUBE CHAUDIERE	
14	U043.008	VITE TCBC.M5,0X10 UNI 7687 ZNP	screw TCBC M5,0X10 UNI 7687 GALV	VIT TCBC M5	VITE TCBC M5,0X10 UNI 7687 ZNP
15	11008124	RACCORDO SCARICHI 2 MACINACAFFE'	UNLOADING CONNECTION 2 GRIND COF	SUPPORT BUSES DECOMPRESSION	
16	9979.A86	ASS.TUBO TEFLON 4X2 L.350 7-7	TEFLON ASS. TUBE 4X2 L.350 7-7	TUBE TEFLON	ASS.TUBO TEFLON 4X2 L.350 7-7
17	NV99.004	RACCORDO A T.MORONI 8026047 D=8	CONNECTOR T.MORONI 8026047 D=8	RACCORD EN T 8026047 D=8	RACCORDO A T.MORONI 8026047 D=8
18	NV99.077	FASCETTA STRINGITUBO D=9,8/10,6	TUBE-TIGHTENING CLAMP D=9,8/10,6	ATTACHE D=9,8/10,6 10799.41.00	FASCETTA STRINGITUBO D=9,8/10,6
19	9979.A84	ASS.TUBO TEFLON 4X2 L.265 7-7	TEFLON TUBE 4X2 L.265 7-7 ASSY.	TUBE TEFLON	ASS.TUBO TEFLON 4X2 L.265 7-7
20	9979.A85	ASS.TUBO TEFLON 4X2 L.215 7-7	TEFLON TUBE 4X2 L.215 7-7 ASSY.	TUBE TEFLON	ASS.TUBO TEFLON 4X2 L.215 7-7
21	NV99.087	FASCETTA STRINGITUBO D=11/11,6	BAND D=11/11,6	ANNEAU	FASCETTA STRINGITUBO D=11/11,6
22	9011.144	FORCELLA X TUBO D=4 INOX	SS FORK FOR TUBE D=4	AGRAFE TUYAU	FORCELLA X TUBO D=4 INOX
23	140328059	OR 2015 SILICONE PTFE/FDA	OR 2015 SILICONE PTFE/FDA	JOINT OR 2015 SILICONE ROUGE	OR 2015 SILICONE PTFE/FDA
24	NV99.091	RACCORDO A T PORTAGOMMA PRES BLO	T CONNECTOR	RACCORD EN T	RACCORDO A T PORTAGOMMA PRES BLO
25	1034.A22	ASS.TUBI POMPA	PUMP TUBES ASS.	ENS TUBE POMPE	ASS.TUBI POMPA



NOTE

Idea RST

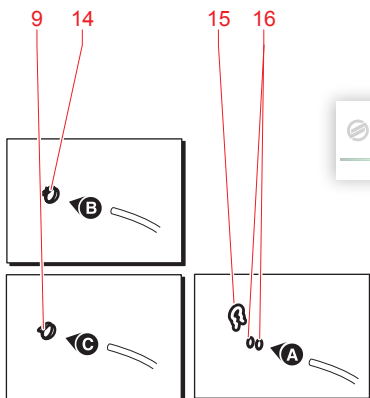
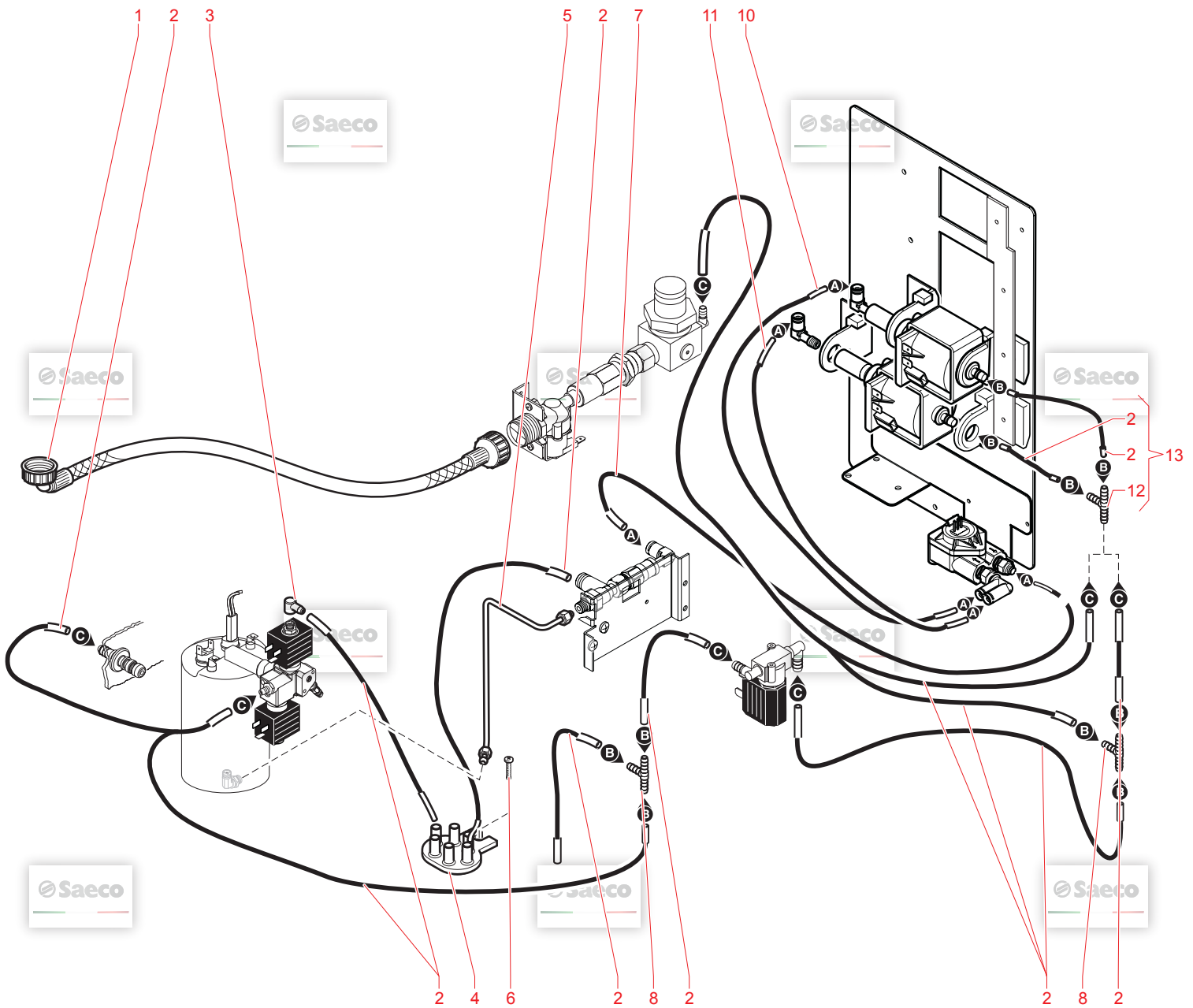
14/03/2019

12

E019.054

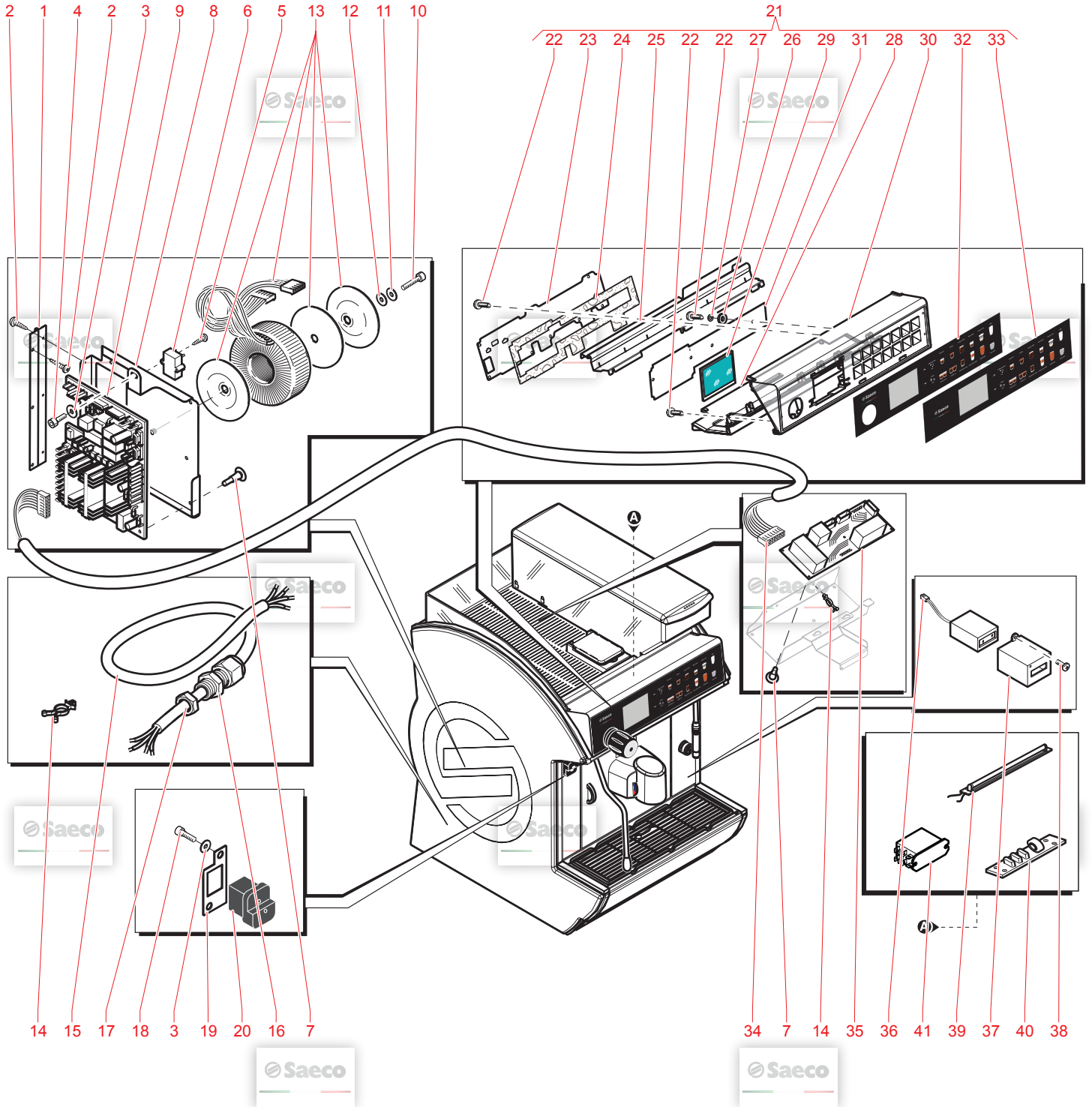
GAGGIO MONTANO

© by Saeco, a company of Evoca Group



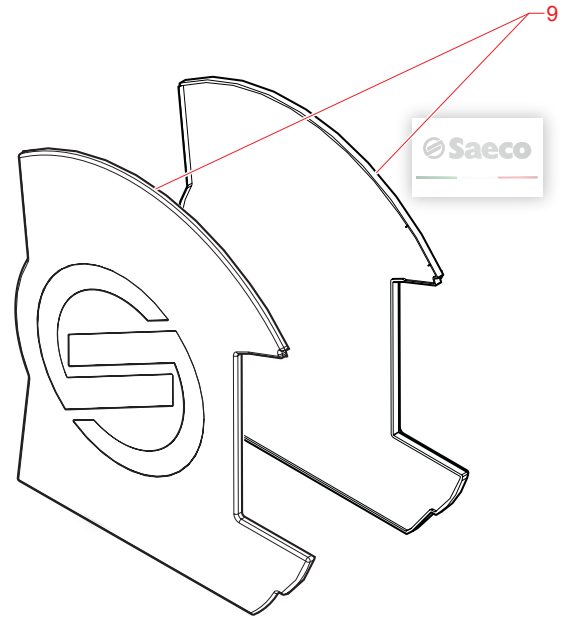
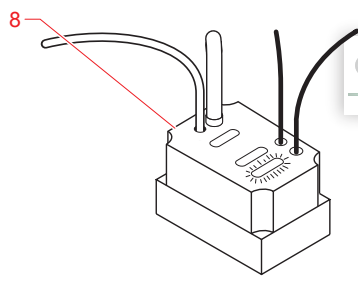
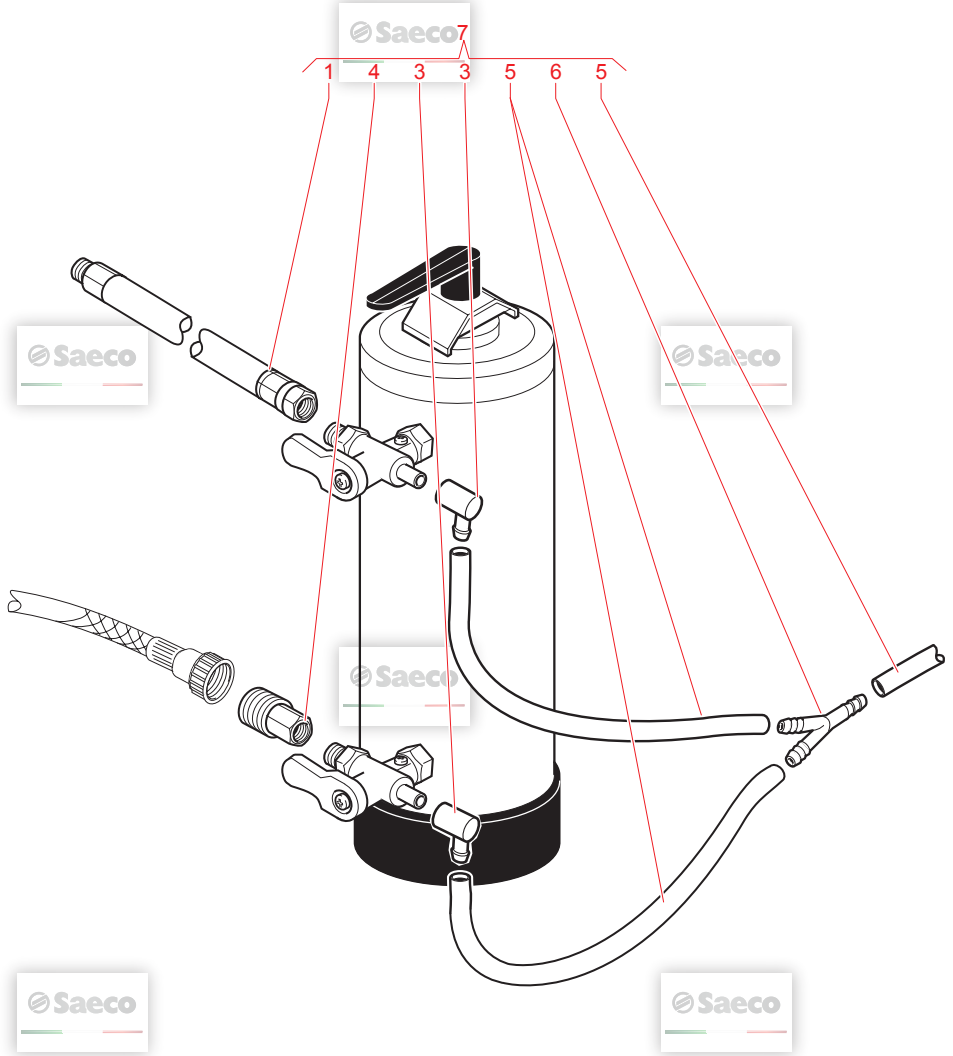
N.POSI COD	I - DESCRIZIONE	UK - DESCRIPTION	F - DESCRIPTION	D - BEZEICHNUNG	E - DESCRIPCION
1	NV99.003 TUBO FLESSIBILE FF 3/4 L=1800 90	FLEXIBLE TUBE FF 3/4 L=1800 90°	TUYAU FLEX. FF3/4 L.1800 9	Schlauch FF 3/4" 90° l=1800	TUBO FLESSIBILE FF 3/4 L=1800 90
2	9972.185 TUBO SILICONE 5X10 L.440MM	SILICONE TUBE 5X10 L.440MM	TUBE SILICONE 6X9 L.440 MM	Silikonerschlauch 6x9 L=440 mm	
3	9991.145 RACCORDO IN GOMMA 90° X ELETTROV	CONN. IN RUBBER 90 DEG. FOR SOL.	RACCORD 90°	Gummiraccord 90° z EI.-Magneten	RACCORDO IN GOMMA 90° X ELETTROV
4	11008124 RACCORDO SCARICHI 2 MACINACAFFE	UNLOADING CONNECTION 2 GRIND COF	SUPPORT BUSES DECOMPRESSION	ANSCHLUSS ÜBERLAUF	
5	11008140 ASS.TUBO CALDAIA CAFFE 2 MACINA	ASS.TUBE BOILER COFFEE 2 GRIND	TUBE CHAUDIERE	KUPFERLTG. ZU DAMPFBOILER	
6	U043.008 VITE TCBC M5,0X10 UNI 7687 ZNP	screw TCBC M5,0X10 UNI 7687 GALV	VIS TCBC M5	Linseenschraube M5x10 DIN 7985 ve	VITE TCBC M5,0X10 UNI 7687 ZNP
7	9979.A86 ASS.TUBO TEFLON 4X2 L.350 7-7	TEFLON ASS. TUBE 4X2 L.350 7-7	TUBE TEFLON	Teflonschlauch kpl. 4x2 l=350mm	ASS. TUBO TEFLON 4X2 L.350 7-7
8	NV99.003 TUBO FLESSIBILE FF 3/4 L=1800 90	FLEXIBLE TUBE FF 3/4 L=1800 90°	TUYAU FLEX. FF3/4 L.1800 9	Schlauch FF 3/4" 90° l=1800	TUBO FLESSIBILE FF 3/4 L=1800 90
9	NV99.077 FASCETTA STRINGIT.D=9,8/10,6 107	TUBE-TIGHTENING CLAMP D=9,8/10,6	ATTACHE D=9,8/10,6 10799.41.00	Schlauchbinder ø9,8/10,6	FASCETTA STRINGIT.D=9,8/10,6 107
10	9979.A86 ASS.TUBO TEFLON 4X2 L.350 7-7	TEFLON ASS. TUBE 4X2 L.350 7-7	TUBE TEFLON	Teflonschlauch kpl. 4x2 l=350mm	ASS. TUBO TEFLON 4X2 L.350 7-7
11	9979.A85 ASS.TUBO TEFLON 4X2 L.215 7-7	TEFLON ASS. TUBE 4X2 L.215 7-7	TUBE TEFLON	Teflonschlauch kpl. 4x2 l=215mm	ASS. TUBO TEFLON 4X2 L.215 7-7
12	NV99.091 RACCORDO A T PORTAGOMMA PRES BLO	T CONNECTOR	RACCORD EN T	Raccord T-Stück	RACCORDO A T PORTAGOMMA PRES BLO
13	1036.A04 ASS. TUBI POMPA	PUMP TUBES ASS.	ENSEMBLE TUYAU POMP	Schläuche zu Pumpen kpl.	ASS. TUBI POMPA
14	NV99.087 FASCETTA STRINGITUBO D=11/11,6	BAND D=11/11,6	ANNEAU	Schlauchbinder ø11/11,6	FASCETTA STRINGITUBO D=11/11,6
15	9011.144 FORCELLA X TUBO D=4 INOX	SS FORK FOR TUBE D=4	AGRAFE TUYAU	Sicherungsbinder Schlauch Vi. RO	FORCELLA X TUBO D=4 INOX
16	140328059 OR 2015 SILICONE PTFE/FDA	OR 2015 SILICONE PTFE/FDA	JOINT OR 2015 SILICONE ROUGE	O-RING 2015 SILIKON	OR 2015 SILICONE PTFE/FDA





N.POSI	COD	I - DESCRIZIONE	UK - DESCRIPTION	F - DESCRIPTION	D - BEZEICHNUNG	E - DESCRIPCION	NOTE
1	1034.027	CERNIERA	HINGE	CHARNIERE	Scharnier	CERNIERA	
2	U110.004	VITE AUT.TCB 3.5X6.5 DIN 7981 F	screw AUT.TCB 3.5X6.5 DIN 7981 F	VIS AUT.TCB 3.5X6.5 DIN 7981 F	Schraube 3,5x6,5 DIN7981F	VITE AUT.TCB 3.5X6.5 DIN 7981 F	
3	U201.005	ROSETTA PIANA 4.3X12 DIN 7349 ZN	PLAIN WASHER 4.3X12 DIN 7349 GAL	RONDELLE 4.3X12 DIN 7349 ZNP	Schlebe 4.3x12 DIN 7349 verz.	ROSETTA PIANA 4.3X12 DIN 7349 ZN	
4	U110.003	VITE AUT.TCB 3.5X9.5 DIN 7981 F	screw AUT.TCB 3.5X9.5 DIN 7981 F	VIS AUT.TCB 3.5X9.5 DIN 7981 F	Linsen-Blechschr. 3.5x9,5 DIN 79	VITE AUT.TCB 3.5X9.5 DIN 7981 F	
5	NE13.033	FILTRO ANTIDISTURBO MOTORE MACINAC	FILTER	FILTRE	Entstärkfilter ZA MOL	FILTRO ANTIDISTURBO MOTORE MACINAC	
6	NL04.014	DISTANZ.RICHOCCO CRLCBSRE-6-19 H=9	SPACER CARD H=9.5	PLOT DE CARTE H=9.5	Abstandhalter H=9,5	DISTANZ.RICHOCCO CRLCBSRE-6-19 H=9	
7	1034.499	ASS. PIASTRALATERALE BLK	CPU CARD POWER IDEA RST	ASS. BLK SIDE PLATE	ASS. BLK SIDE PLATE	ASS. PIASTRALATERALE BLK	
8	1034.498	SCHEDA CPU POWER IDEA RST	PLATE CPU POWER IDEA RST	PLATINE CPU IDEA RST	Steuertafel CPU, IDEA RST	SCHEDA CPU POWER IDEA RST	
9	U043.031	VITE TCBC M5.0X40 UNI 7687 ZNP	screw TCBC M5.0X40 UNI 7687 GALV	VIS TCBC M5.0X40 UNI 7687 GALV.	Linsen-Blechsch. M5x40 DIN 7985 ve	VITE TCBC M5.0X40 UNI 7687 ZNP	
10	128310504	ROSETTA UNI 8842 A5 BRUNITA	WASHER UNI 8842 A5 BURN.	RONDELLE 5 UNI 3703	Fächerschlebe A5 3 DIN 6798 brdn	ROSETTA UNI 8842 A5 BRUNITA	
11	U207.009	ROSETTA PIANA 5.5X15 UNI 6593 ZN	PLAIN WASHER 5.5X15 UNI 6593 GA	RONDELLE 5.5X15 UNI 6593 ZN	Schlebe 5,5x15, verzinkt	ROSETTA PIANA 5.5X15 UNI 6593 ZN	
12	1034.719	TRASFORM. TOROIDALE 80VA IDEA RS	TOROIDAL TRANSFORMER 80VA DEARS	TRANSFO TOROIDAL 80VA IDEA RST	Transformator 80VA,DEA RST	TRASFORM. TOROIDALE 80VA IDEA RS	
13	NE17.008	FERMACAVO RICHOCCO STL J - 450 - 0	RICHOCCO CABLE RETAINER STL	PASSE CABLE	Kabelhalterung fixierbar RICHOCCO	FERMACAVO RICHOCCO STL	
14		CAVO ALIMENTAZIONE RST	POWER CABLE	SERRE CABLE	Netz Kabel	CAVO ALIMENTAZIONE RST	
15	NE17.010	PRESSACAVO ELEKTROZUBEHOH NERO	ELEKTROZUBEHOR CABLE CLAMP BLACK	ECROU	Zugentlastung ELEKTROZUBEHOH	PRESSACAVO ELEKTROZUBEHOH NERO	
16	NE17.012	GHIERA BLOCCAGGIO ELEKTROZUBEHOH	ELEKTROZUBEHOR LOCKING RING NUT	ECROU	Konternut zur Zugentl. ELEKTRO	GHIERA BLOCCAGGIO ELEKTROZUBEHOH	
17	U023.003	VITE TCEI M4.0X10 UNI 5931 BRU	Screw TCEI M4.0X10 UNI 5931 BURN	VIS TCEI M4.0X10 UNI 5931 BURN.	Zylinderschraube M4x10 DIN 912 b	VITE TCEI M4.0X10 UNI 5931 BRU	
18	1020.066.470	PIASTRINA X INTERRUPTORE NERO	BLACK SWITCH PLATE	PLAQUE POUR INTER	Montagswinkel zu Netzschalter, s	PIASTRINA X INTERRUPTORE NERO	
19	12001912	INTER.BIPOLE.EVEREL SXA4388211000	BIPOL SWITCH EVEREL SXA438821100	INTER.BIPOLE.EVEREL SXA4388211000	Hauptschalter bipolar SXA4388211	INTER.BIPOLE.EVEREL SXA4388211000	
20	11034.4964	ASS. FRONTALE LUXE 220/60	220/60 LUXE FRONT ASSEMBLY	220/60 LUXE FRONT ASSEMBLY	INTERN. LUXE FRONT ASSEMBLY	ASS. FRONTALE LUXE 220/60	
21	11034.4966	ASS. FRONTALE LUXE INTERN.	INTERN. LUXE FRONT ASSEMBLY	INTERN. LUXE FRONT ASSEMBLY	INTERN. LUXE FRONT ASSEMBLY	ASS. FRONTALE LUXE INTERN.	
21	11034.4967	ASS. FRONTALE CAPP INTERN.	INTERN. CAPP FRONT ASSEMBLY	INTERN. CAPP FRONT ASSEMBLY	INTERN. CAPP FRONT ASSEMBLY	ASS. FRONTALE CAPP INTERN.	
21	11034.4968	ASS. FRONTALE CAPP 220/60	220/60 CAPP FRONT ASSEMBLY	220/60 CAPP FRONT ASSEMBLY	220/60 CAPP FRONT ASSEMBLY	ASS. FRONTALE CAPP 220/60	
21	11035.109	ASS. FRONTALE CAPP AS RST	RST CAPP AS FRONT ASSEMBLY	RST CAPP AS FRONT ASSEMBLY	RST CAPP AS FRONT ASSEMBLY	ASS. FRONTALE CAPP AS RST	
21	11035.215	ASS. FRONTALE CAPP AS INTERN.	INTERN. AS CAPP FRONT ASSEMBLY	INTERN. AS CAPP FRONT ASSEMBLY	INTERN. AS CAPP FRONT ASSEMBLY	ASS. FRONTALE CAPP AS INTERN.	
21	11035.401	ASS. FRONTALE DUO 220/60	220/60 DUO FRONT ASSEMBLY	220/60 DUO FRONT ASSEMBLY	220/60 DUO FRONT ASSEMBLY	ASS. FRONTALE DUO 220/60	
21	11035.405	ASS. FRONTALE DUO INTERN.	INTERN. DUO FRONT ASSEMBLY	INTERN. DUO FRONT ASSEMBLY	INTERN. DUO FRONT ASSEMBLY	ASS. FRONTALE DUO INTERN.	
21	11034.906	ASS. FRONTALE COFFEE 220/60	220/60 COFFEE FRONT ASSEMBLY	220/60 COFFEE FRONT ASSEMBLY	220/60 COFFEE FRONT ASSEMBLY	ASS. FRONTALE COFFEE 220/60	
21	11035.407	ASS. FRONTALE COFFEE INTERN.	INTERN. COFFEE FRONT ASSEMBLY	INTERN. COFFEE FRONT ASSEMBLY	INTERN. COFFEE FRONT ASSEMBLY	ASS. FRONTALE COFFEE INTERN.	
21	11036.089	ASS. FRONTALE CAPP CSA	CSA CAPP FRONT ASSEMBLY	CSA CAPP FRONT ASSEMBLY	CSA CAPP FRONT ASSEMBLY	ASS. FRONTALE CAPP CSA	
22	129660902	VITE PANELVIT TCB 3.5X12 D.7505	PANELVIT TCB SCREW 3.5X12 D.7505	VIS TCB 3.5X12	Blechschraube St. 3.5x12-21,verzi	VITE PANELVIT TCB 3.5X12 D.7505	
23	10351.100	CHIUSURA ELETTRONICA FRONTALE	CLOSED FRONTAL ELECTRONIC	CLOSED FRONTAL ELECTRONIC	CLOSED FRONTAL ELECTRONIC	CHIUSURA ELETTRONICA FRONTALE	
24	1034.4566	GUARNIZIONE COPERCHIO ELETTRONIC	SEAL COVER	SEAL COVER	SEAL COVER	GUARNIZIONE COPERCHIO ELETTRONIC	
25	11034.4636	ASS.FISSAGGIO VASCA	TANK FIXING	TANK FIXING	TANK FIXING	ASS.FISSAGGIO VASCA	
25	11035.395	ASS.FISSAGGIO VASCA DUO	DUO TANK FIXING	DUO TANK FIXING	DUO TANK FIXING	ASS.FISSAGGIO VASCA DUO	
26	145840365	GUARNIZIONE X TUBO VAPORE SNODAT	SEAL FOR ARTICULA. STEAM TUBE	GARNITURE TUBE VAPEUR	Dichtung HMD-Hann VVES	GUARNIZIONE X TUBO VAPORE SNODAT	
27	U207.002	ROSETTA PIANA 4.3X9 UNI 6592 ZNP	PLAIN WASHER 4.3X9 UNI 6592 GAL	RONDELLE 4.3X9 UNI 6592 ZNP	Schlebe 4,3x9 DIN 125 verz.	ROSETTA PIANA 4.3X9 UNI 6592 ZNP	
28	1034.4552	CHIUSURA INF.FRONTALE IDEA RST P	LOWER CLOSED FRONT PANEL IDEA RS	LOWER CLOSED FRONT PANEL IDEA RS	LOWER CLOSED FRONT PANEL IDEA RS	CHIUSURA INF.FRONTALE IDEA RST P	
29	11032.399	"DISPLAY TFT 3.5"" 320X240"	"3.5"" TFT DISPLAY 320X240"	"DISPLAY TFT 3.5"" 320X240"	"DISPLAY TFT 3.5"" 320X240"	"DISPLAY TFT 3.5"" 320X240"	
30	1034.4551	FRONTALE IDEA RST PANTHERA	FRONT PANEL IDEA RST PANTHERA	FRONT PANEL IDEA RST PANTHERA	FRONT PANEL IDEA RST PANTHERA	FRONTALE IDEA RST PANTHERA	
31	11034.568	AS. SCHEDA ELETT. FRONTALE+SW UI	ELECTRONIC CARD+SW UI IDEA RST	ELECTRONIC CARD+SW UI IDEA RST	ELECTRONIC CARD+SW UI IDEA RST	AS. SCHEDA ELETT. FRONTALE+SW UI	
32	11034.547	ASS. COPERTURA FRONTALE LUXE 220	220/60 LUXE FRONT COVER ASSEMBLY	220/60 LUXE FRONT COVER ASSEMBLY	220/60 LUXE FRONT COVER ASSEMBLY	ASS. COPERTURA FRONTALE LUXE 220	
32	11034.4957	ASS. COPERTURA FRONTALE CAPP INT	INTERN. CAPP COVER FRONT ASS.	INTERN. CAPP COVER FRONT ASS.	INTERN. CAPP COVER FRONT ASS.	ASS. COPERTURA FRONTALE CAPP INT	
32	11034.4958	ASS. COPERTURA FRONTALE CAPP 220/	220/60 CAPP COVER FRONT ASS.	220/60 CAPP COVER FRONT ASS.	220/60 CAPP COVER FRONT ASS.	ASS. COPERTURA FRONTALE CAPP 220/	
32	11034.4963	ASS. COPERTURA FRONTALE LUXE INT	INTERN. LUXE FRONT COVER ASSEMBL	INTERN. LUXE FRONT COVER ASSEMBL	INTERN. LUXE FRONT COVER ASSEMBL	ASS. COPERTURA FRONTALE LUXE INT	
32	11035.383	ASS. COPERTURA FRONTALE DUO 220/	220/60 DUO FRONT COVER ASSEMBLY	220/60 DUO FRONT COVER ASSEMBLY	220/60 DUO FRONT COVER ASSEMBLY	ASS. COPERTURA FRONTALE DUO 220/	
32	11035.384	ASS. COPERTURA FRONTALE DUO INTER	INTERN. DUO FRONT COVER ASSEMBLY	INTERN. DUO FRONT COVER ASSEMBLY	INTERN. DUO FRONT COVER ASSEMBLY	ASS. COPERTURA FRONTALE DUO INTER	
32	11036.088	ASS. COPERTURA FRONTALE CAPP CSA	CSA CAPP FRONT COVER ASSEMBLY	CSA CAPP FRONT COVER ASSEMBLY	CSA CAPP FRONT COVER ASSEMBLY	ASS. COPERTURA FRONTALE CAPP CSA	
33	11035.108	ASS. COPERTURA FRONTALE CAPP AS R	RST CAPP AS FRONT COVER ASSEMBLY	RST CAPP AS FRONT COVER ASSEMBLY	RST CAPP AS FRONT COVER ASSEMBLY	ASS. COPERTURA FRONTALE CAPP AS R	
33	11035.210	ASS. COPERTURA FRONTALE CAPP AS	RST INT. CAPP AS FRONT COVER ASS	RST INT. CAPP AS FRONT COVER ASS	RST INT. CAPP AS FRONT COVER ASS	ASS. COPERTURA FRONTALE CAPP AS	
33	11035.385	ASS. COPERTURA FRONTALE COFFEE 22	220/60 COFFEE FRONT COVER ASSEMB	220/60 COFFEE FRONT COVER ASSEMB	220/60 COFFEE FRONT COVER ASSEMB	ASS. COPERTURA FRONTALE COFFEE 22	
33	11035.386	ASS. COPERTURA FRONTALE COFFEE IN	INTERN. COFFEE FRONT COVER ASSEMB	INTERN. COFFEE FRONT COVER ASSEMB	INTERN. COFFEE FRONT COVER ASSEMB	ASS. COPERTURA FRONTALE COFFEE IN	
34	1020.809	FLAT CABLE 16 POLI L.550MM	FLAT CABLE 16 POLE L.550MM	NAPPE CONNECTION PLATINE PUISSAN	Flachbandkabel 16-p Leist/Steuer	FLAT CABLE 16 POLI L.550MM	
35	1030.804	SCHEDA FILTRO MODULAR 796 DS	MODULAR FILTER CARD 796 DS	COMPTEUR	Leistungsplatine Modular 796 DS	SCHEDA FILTRO MODULAR 796 DS	
36	12001.442	CONTAMPUL.ISKRA 12VDC.SI63.0 CA	IMPULSECOUNT ISKRA 12VDC SI63.0	COMPTEUR	Zähler für Zähler Keisu	CONTAMPUL.ISKRA 12VDC.SI63.0 CA	
37	9991.140.050	PORTA CONTAMPULISI KEISU GX-06R	IMPULSECOUNTERHOLDER KEISU GX-06	COMPTEUR	Blechschraube 3 x 12	PORTA CONTAMPULISI KEISU GX-06R	
38	U140.004	PANELVIT TCB 3.0X12 DIN 7505 B Z	PANELVIT TCB 3.0X12 DIN 7505 B G	VIS TCB3X12DIN7505 B ZNP	DUO RST IDEA BLUE LED SMD AVAGO	PANELVIT TCB 3.0X12 DIN 7505 B Z	
39	11035.463	LED BLU SMD AVAGO 12VDC IDEA RST	SCHEDA ELETTRONICA SENSORI 2M	PLATINE SENSEUR 2M	Sensorschraube 3 x 12	LED BLU SMD AVAGO 12VDC IDEA RST	
40	11009206	SCHEDA ELETTRONICA SENSORI 2M	RELE POTENZA 12A	RELAIS PUISSANCE 12 A	Sensorschraube 3 x 12	SCHEDA ELETTRONICA SENSORI 2M	
41	1484.605	RELE POTENZA 12A	RELAIS PUISSANCE 12 A	RELAIS PUISSANCE 12 A	Sensorschraube 3 x 12	RELE POTENZA 12A	





N.POSI COD	I - DESCRIZIONE	UK - DESCRIPTION	F - DESCRIPTION	D - BEZEICHNUNG	E - DESCRIPCION	NOTE
1	NV99.092	FLEXIBLE TUBE MF 3/8 L=500	TUBE FLEXIBLE MF 3/8 L=500	Schlauch 3/8, L=500	ACC WATER SOFTENER 8 L	240V
2	1414.001	WATER SOFTENER 8 L	ADOUICISSEUR 8 LITRE	Entkalkungsfilter 8 L	RACCORDO IN GOMMA 90° X ELETTROV	WHITE
3	9991.145	CONN. IN RUBBER 90 DEG. FOR SOL.	"REDUCTION MF 3/4" X3/8 NIK"	"Reduzierstück MF 3/4" x 3/8" NIK"	TUBO SILICONE MARRON 5X8 L.2000	RED
4	NR07.064	"REDUCTION MF 3/4" X3/8" NIK"	SILICONE TUBE 5X8 L.2000MM	"Verteilerstück 5x8, l=2mtr. bra	RACCORDO Y D=8 ART.80.26.048 KA.	WALNUT
5	9972.057	SILICONE TUBE 5X8 L.2000MM	Y CONNECTOR D=8 ART.80.26.048 KA	"Kunststoff"	KIT ADDOLCITORE 8LT	BLUE
6	14792.0800	WATER SOFTENER KIT	MODULAR PUMP KIT 230V 50HZ	ENTKALKUNGSFILTER KPLT.	KIT POMPA MODULAR 230V 50HZ	
7	1030.R06	MODULAR PUMP KIT	BOITIER KIT POMPE MODULAR 230V 5	Kit Modular für Tankversion	ACC KIT FIANCHI IDEA RST WHITE	
8	1476.000.00A	MODULAR PUMP KIT 240V 50HZ	MODULAR PUMP KIT 208V 60HZ	MODULAR PUMP KIT 240V 50HZ	ACC KIT WHITE SIDES IDEA RST	
8	1476.000.00Z	MODULAR PUMP KIT 208V 60HZ	ACC KIT RED SIDES IDEA RST	MODULAR PUMP KIT 208V 60HZ	ACC KIT RED SIDES IDEA RST	
9	21002580	ACC KIT WHITE SIDES IDEA RST	ACC KIT RED SIDES IDEA RST	ACC KIT WHITE SIDES IDEA RST	ACC KIT WALNUT SIDES IDEA RST	
9	21002581	ACC KIT RED SIDES IDEA RST	ACC KIT WALNUT SIDES IDEA RST	ACC KIT WALNUT SIDES IDEA RST	ACC KIT FIANCHI IDEA RST WALNUT	
9	21002582	ACC KIT WALNUT SIDES IDEA RST	ACC KIT BLUE SIDES IDEA RST	ACC KIT BLUE SIDES IDEA RST	ACC KIT FIANCHI IDEA RST BLUE	
9	21002583	ACC KIT BLUE SIDES IDEA RST				

Il Costruttore si riserva il diritto di modificare, senza preavviso, le caratteristiche delle apparecchiature presentate in questa pubblicazione; declina inoltre ogni responsabilità per le eventuali inesattezze imputabili ad errori di stampa e/o trascrizione contenute nella stessa.

Le istruzioni, i disegni, le tabelle e le informazioni in genere contenute nel presente fascicolo sono di natura riservata e non possono essere riprodotte ne completamente ne parzialmente od essere comunicate a terzi senza l'autorizzazione scritta del Costruttore che ne ha la proprietà esclusiva.

The manufacturer reserves the right to modify, without prior notice, the characteristics of the equipment described in this publication; and further declines to accept any responsibility for any inaccuracies contained in this publication which can be ascribed to printing and/or transcription errors.

All instructions, drawings, tables and information contained in this publication are confidential and can neither be reproduced, completely or in part, nor be transmitted to third parties without the written permit of the Manufacturer, who has the sole ownership.

Le fabricant se réserve le droit de modifier, sans préavis, les caractéristiques des appareils présentes dans cette publication; en outre, elle decline toute responsabilité pour d'éventuelles inexactitudes imputables à des erreurs d'impression et/ou de transcription.

Tous droits de reproduction, complète ou partielle, des instructions, des dessins, des tableaux et de toutes les informations contenues dans cette publication sont réservés. Aucune communication à un tiers ne peut être faite sans une autorisation par écrit du Constructeur qui en a la propriété exclusive.

Der Hersteller behält sich das Recht vor, die Eigenschaften der hier beschriebenen Geräte ohne Voranzeige zu ändern und lehnt gleichzeitig jede Verantwortung für mögliche Unrichtigkeiten ab, die auf Druckfehler oder Abschreibfehler zurückzuführen sind.

Alle Anweisungen, Zeichnungen, Tabellen und Informationen, die im allgemeinen im vorliegenden Band enthalten sind, müssen als vertraulich betrachtet werden und können weder teilweise noch vollständig reproduziert bzw an Dritte ohne die schriftliche Ermächtigung des Herstellers weitergegeben werden, der das Alleineigentum besitzt.

El Constructorse reserva el derecho de modificar, sin previo aviso, las características de los aparatos presentados en esta publicación; además declina toda responsabilidad por los eventuales inexactitudes imputables a errores de imprenta y/o transcripción contenidos en la misma.

Las introducciones, los dibujos, las tablas y las informaciones en general contenidos en este fascículo son de tipo reservado y no se pueden reproducir, completamente o en parte, ni comunicar a terceros si la autorización escrita del Fabricante, el cual tiene la propiedad exclusiva.

