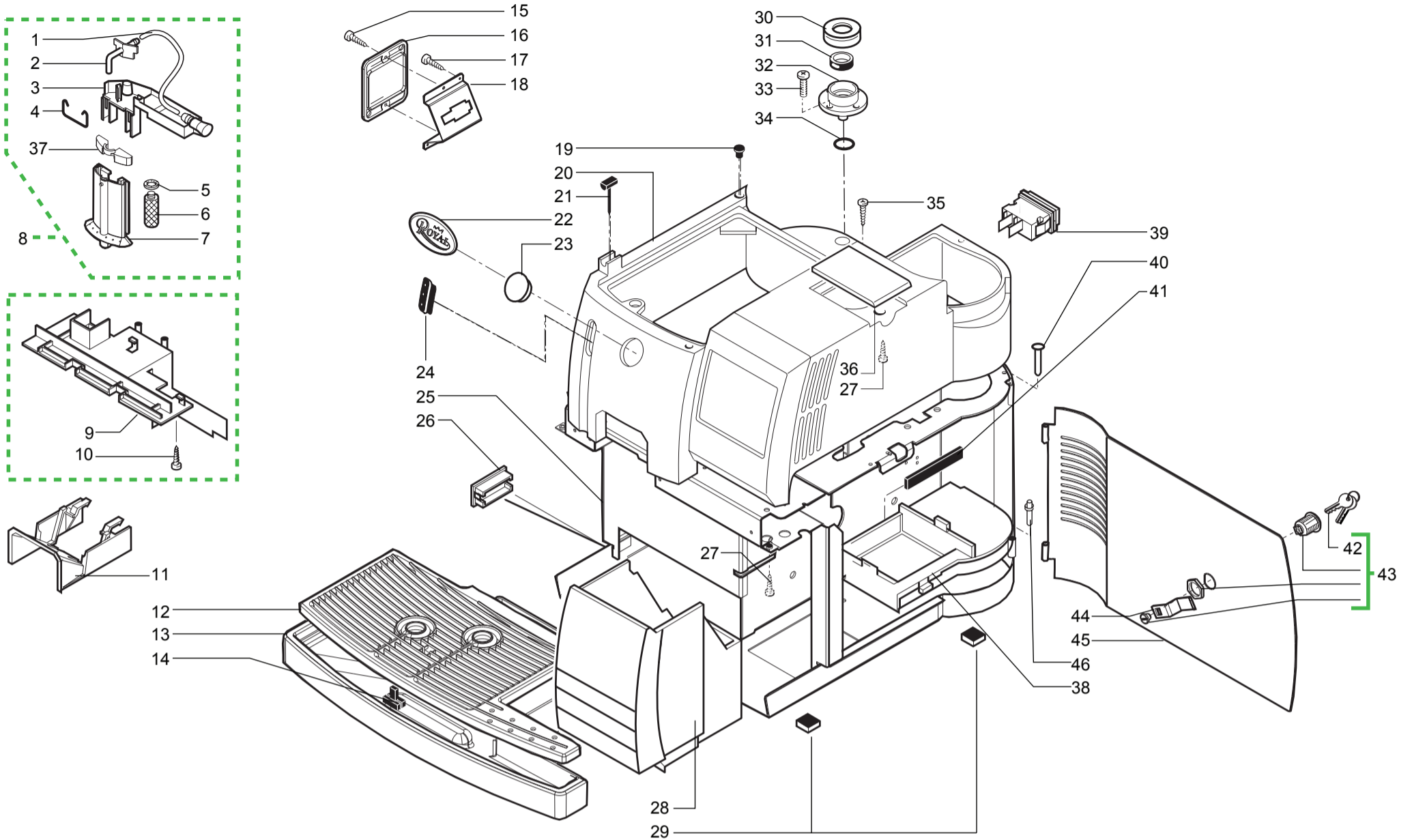
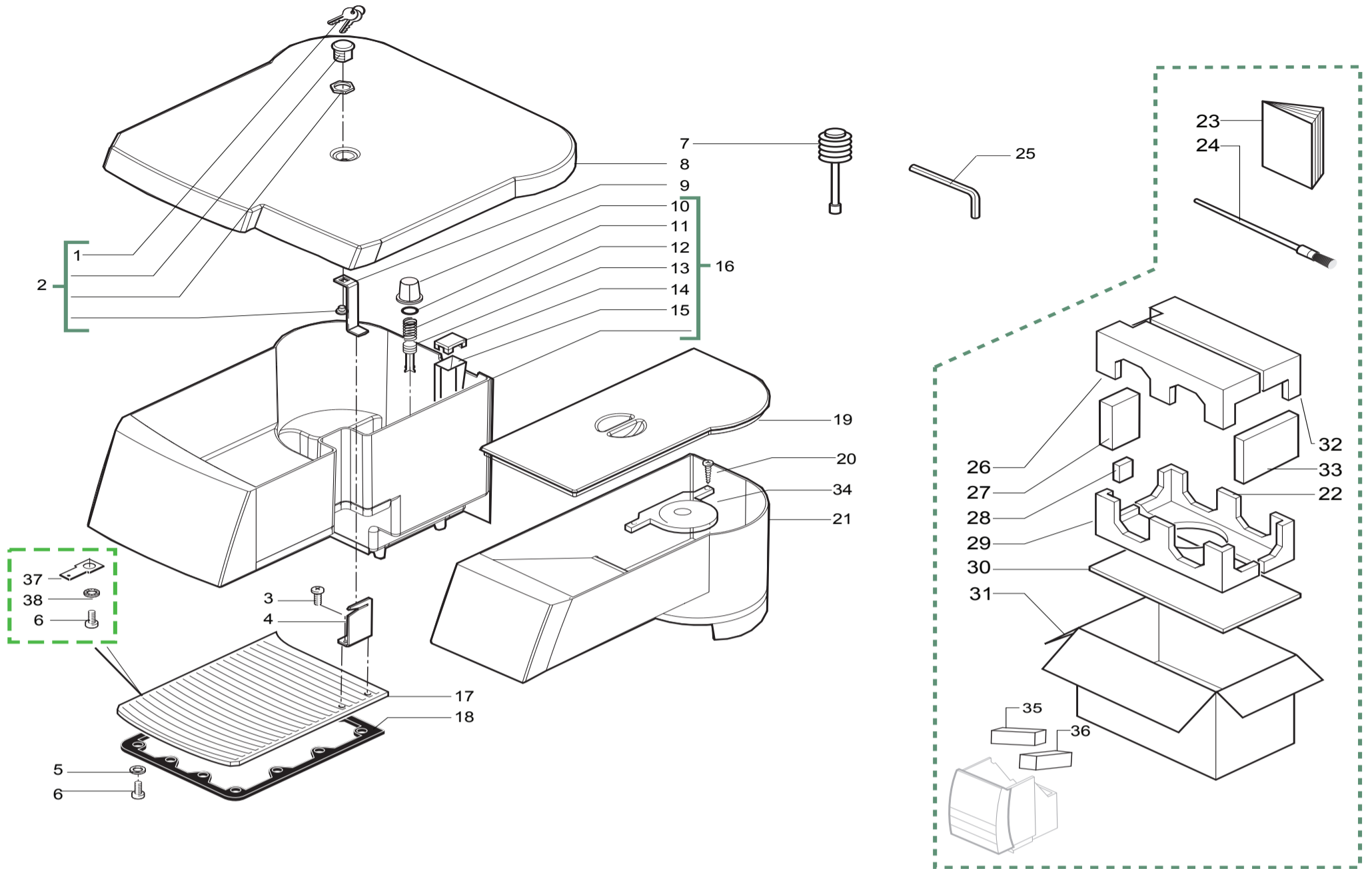


VE ROYAL OFFICE UP-GRADE
COD.0368-100001503-1581-1582-4050-4039

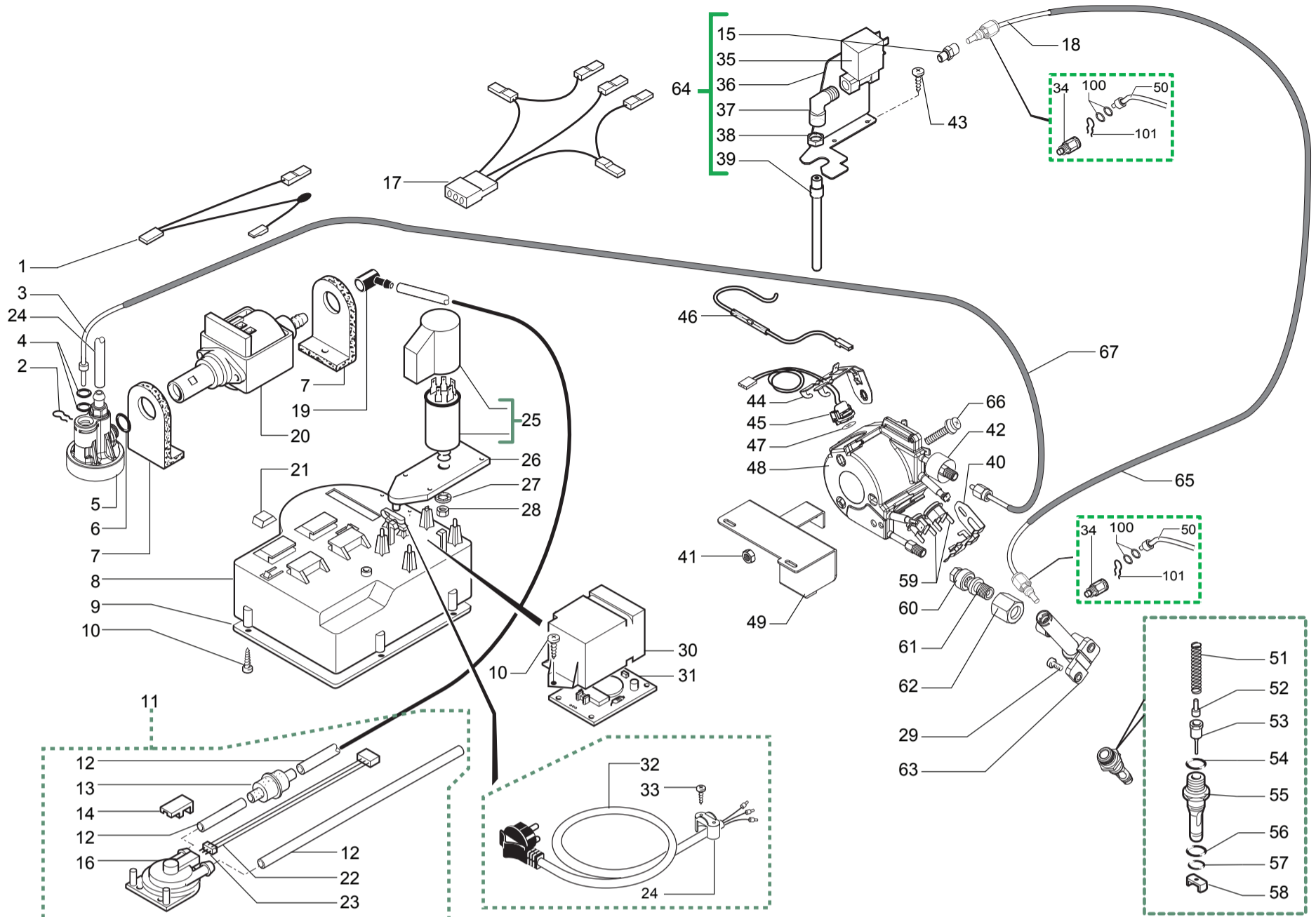


| Ref. | Code | Description | Version | Ref. | Code | Description | Version |
|------|--------------|--|---------|------|--------------|----------------------------------|---------|
| 01 | 9972.027 | SILICONE TUBE BROWN 5X8 L. 85 MM | | 36 | 0312.008.770 | DOSER LID | |
| 02 | 11003705 | CONNECTOR 90° DISPENSER BROWN | | | 0312.031.770 | DOSER LID UL SILVER | |
| 03 | 0327.010.050 | FIXED CASING DISPENSER BLACK | | 37 | 0368.005.050 | DISPENSER PLUG | |
| 04 | 0327.037 | SPRING FOR DISPENSER | | 38 | 0301.041.150 | UNIT SUPPORT PLATE GREY | |
| 05 | 0301.052 | SEAL FOR DISPENSER SCREW | | 39 | 12000641 | MOLVENO WATERPROOF GWASSY SWITCH | |
| 06 | 0301.050 | SCREW M3 FOR DISPENSER | | 40 | 0301.019 | PEG FOR DOOR SUPERAUTOM. | |
| 07 | 0333.050.760 | MOBILE DISPENSER ASS. | | 41 | 9161.140 | SEAL FOR UNIT PLATE | |
| 08 | 0333.A03.760 | DISPENSER ASS. OFFICE | | 42 | 0701.R29 | KEY KA 35 | |
| 09 | 0301.033.150 | TANK CASING GREY | | 43 | NV02.095 | DOOR LOCK VIRO | |
| 10 | 129670202 | TCB PANELVIT SCREW 3,5X16 TESTAD=8 ZNP | | 44 | 0333.037 | LOCK BRACKET | |
| 11 | 0312.009.850 | DISPENSER LID | | 45 | 0333.036.840 | DOOR ASS. ROYAL OFFICE BLUE | |
| | 0312.009.770 | DISPENSER LID SILVER | | | 0333.036.660 | DOOR ASS. OFFICE SILVER TF | |
| 12 | 0333.005.770 | PAINTED GRATE | | 46 | 0301.020 | PIN FOR DOOR SUPERAUTOMATICA | |
| 13 | 0333.006.770 | DRIP TRAY SILVER | | | | | |
| | 0333.006.850 | DRIP TRAY | | | | | |
| 14 | 145500211 | RED FLOAT FOR SEB GRAN CAFFE' | | | | | |
| 15 | U143.015 | PANELVIT TCB 3,0X12 TORX BLACK | | | | | |
| 16 | 0333.026.850 | CONNECTOR LID | | | | | |
| | 0333.026.770 | CONNECTOR LID SILVER | | | | | |
| 17 | 129511903 | SCREW TCB 2,9X6,4 DIN 7981 BZ NICK | | | | | |
| 18 | 0333.025 | CONNECTOR SUPPORT | | | | | |
| 19 | 0333.044.280 | CAP | | | | | |
| 20 | 0333.047.770 | CASING LID ROYAL SILVER S/S.OFFICE | | | | | |
| | 0333.062.770 | LID UL SAECO ROYAL OFFICE SILVER | | | | | |
| 21 | 0333.043.280 | CLOSURE RUBBER | | | | | |
| 22 | 0333.951 | OVAL DATA PLATE ROYAL | | | | | |
| 23 | 0333.022.850 | CAP FOR FAUCET HOLE | | | | | |
| 24 | 0333.021.280 | RUBBER FOR STEAM TUBE HOLE | | | | | |
| 25 | 0333.023.840 | CASING ASS. GROUNDS REMOVAL OFFICE | | | | | |
| | 0333.023.660 | CASING ASS. OFFICE SILVER TF | | | | | |
| | | UP TO S/N TV901050095161 | | | | | |
| | 11025917 | TF/SILVER CASING OFFICE REMOV.GROUNDS V2 | | | | | |
| | | FROM S/N TV901050095162 | | | | | |
| 26 | 0313.006.050 | SWITCH COVER BLACK | | | | | |
| 27 | U110.005 | SCREW AUT.TCB 3,9X9,5 DIN 7981 F | | | | | |
| 28 | 0312.032.850 | DUMP BOX BLUE | | | | | |
| | 0312.032.770 | DUMP BOX PAINTED SILVER | | | | | |
| | | UP TO S/N TV901050095161 | | | | | |
| | 11025952 | SILVER DUMP BOX V2 | | | | | |
| | | FROM S/N TV901050095162 | | | | | |
| 29 | .147623150 | BLACK SQUARE ADHESIVE FOOT 5023 | | | | | |
| 30 | 0701.031.150 | SEAL COVER GREY | | | | | |
| 31 | 145842900 | WATER CONTAIN.VALVE SEAL GACO DIM14 | | | | | |
| 32 | 0701.014.150 | SEAL CONTAINER GREY | | | | | |
| 33 | 129532521 | SCREW TSP2,9X9,5 DIN 7982 SS | | | | | |
| 34 | 140320461 | OR ORM 0080-20 IN TERMOIL | | | | | |
| 35 | U143.007 | SCREW TORX TCB 2,9X19 SS BUR | | | | | |

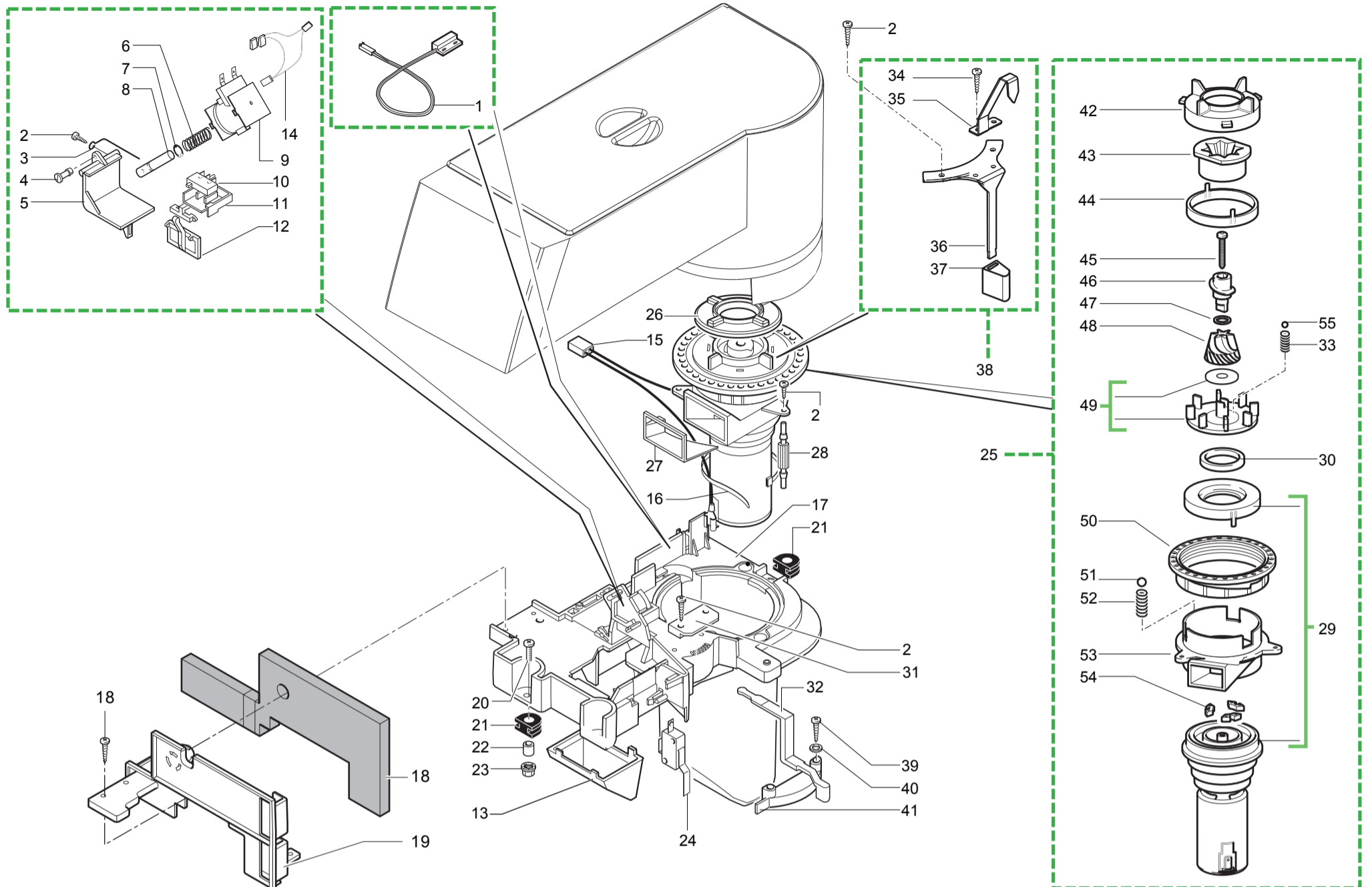


| Ref. | Code | Description | Version | Ref. | Code | Description | Version |
|------|--------------|---|-------------------------|------|--------------|--|--------------|
| 01 | 0701.R29 | KEY KA 35 | | 23 | 0368.968 | INSTR.BOOKLET OFFICE UP_GRADE NL | (B) (I) |
| 02 | NV02.095 | DOOR LOCK VIRO | | | 0368.957 | INSTR.BOOKLET OFFICE UP_GRADE P | (B) (BR) (I) |
| 03 | U127.003 | SCREW TAPT.TCB M4,0X6 DIN 7500C | | | 0368.969 | INSTR.BOOKLET OFFICE UP_GRADE P | (B) (BR) (I) |
| 04 | 0333.016 | BRACKET COUPLING SUPPORT | | | | | |
| 05 | U201.005 | PLAIN WASHER 4,3X12 DIN 7349 GAL | | 24 | 127390100 | BRUSH FOR CLEANING | |
| 06 | 129573402 | SCREW TAPT M4X10 DIN 7985 GALV | | 25 | NV99.055 | ALLEN KEY 5 | |
| 07 | 147700200 | LOADING PUMP DIAMETER 17 MM | (USA) | 26 | 0333.903 | LEFT UPPER INSERT IN PS | |
| 08 | 0333.003.770 | MAIN LID | | 27 | 0333.908 | DRIP TRAY BOX | |
| 09 | 0333.015 | COUPLING BRACKET | | 28 | 0333.905 | SPACER | |
| 10 | 224640200 | EXTERNAL FILTER FOR WATER CONT.ASSY | | 29 | 0333.901 | LEFT LOWER INSERT IN PS | |
| 11 | NM01.032 | OR ORM 0060-30 SILICONE BLACK | | 30 | 0333.909 | ONDULATED CARDB.SHEET | |
| 12 | 9161.110 | SPRING FOR PISTON FOR SUPERAUT. | | 31 | 0333.906 | EXTERNAL BOX | |
| 13 | 147660562 | GREY PISTON FOR WATER CONTAINER VALVE | | 32 | 0333.904 | RIGHT UPPER INSERT IN PS | |
| 14 | 9161.050.230 | NAT/TRANSP.CAP FOR FLOATING SPACE MAGIC | | 33 | 0333.907 | BOX MAIN LID | |
| 15 | 9161.112.150 | LEVEL FLOAT GREY | | 34 | 0312.028.230 | PROTECTION FOR COFFEE CONTAINER | BRAZIL |
| 16 | 0333.046.230 | WATER TANK ASS. | | 35 | 13001335 | PE INSERT145X50X50 FOR DUMP BOX V2 ROYAL | |
| 17 | 0333.051.050 | CUP WARMER PLATE OFFICE BLACK | | 36 | 13001336 | PE INSERT115X50X50 FOR DUMP BOX V2 ROYAL | |
| 18 | 0312.014 | CUPWARMER SEAL | | 37 | NE15.003 | MALE TONGUE PLAIN 6,3 D.5,2 | BRAZIL |
| 19 | 0333.004.050 | COFFEE CONT.LID | | 38 | 128310404 | WASHER UNI 8842 A4 BURNISHED | BRAZIL |
| 20 | 129670202 | TCB PANEL VIT SCREW 3,5X16 TESTAD=8 ZNP | | | | | |
| 21 | 0333.002.230 | COFFEE CONTAINER | | | | | |
| | 0333.066.230 | TRANSPARENT COFFEE CONTAINER UL | | | | | |
| 22 | 0333.902 | RIGHT LOWER INSERT IN PS | | | | | |
| 23 | 0368.951 | INSTR.BOOKLET OFFICE UP_GRADE I | (B) (CH) (I) (USA) (RC) | | | | |
| | 0368.963 | INSTR.BOOKLET OFFICE UP_GRADE I | (B) (CH) (I) (USA) (RC) | | | | |
| | 0368.952 | INSTR.BOOKLET OFFICE UP_GRADE D | (B) (CH) (I) (D) | | | | |
| | 0368.964 | INSTR.BOOKLET OFFICE UP_GRADE D | (B) (CH) (I) (D) | | | | |
| | 0368.953 | INSTR.BOOKLET OFFICE UP_GRADE F | (B) (CH) (I) (USA) (RC) | | | | |
| | 0368.965 | INSTR.BOOKLET OFFICE UP_GRADE F | (B) (CH) (I) (USA) (RC) | | | | |
| | 0368.954 | INSTR.BOOKLET OFFICE UP_GRADE GB | (B) (I) (USA) (RC) | | | | |
| | 0368.966 | INSTR.BOOKLET OFFICE UP_GRADE GB | (B) (I) (USA) (RC) | | | | |
| | 0368.955 | INSTR.BOOKLET OFFICE UP_GRADE E | (B) (I) | | | | |
| | 0368.967 | INSTR.BOOKLET OFFICE UP_GRADE E | (B) (I) | | | | |
| | 0368.956 | INSTR.BOOKLET OFFICE UP_GRADE NL | (B) (I) | | | | |
| | | UP TO S/N. 9004ROO0031628 | | | | | |

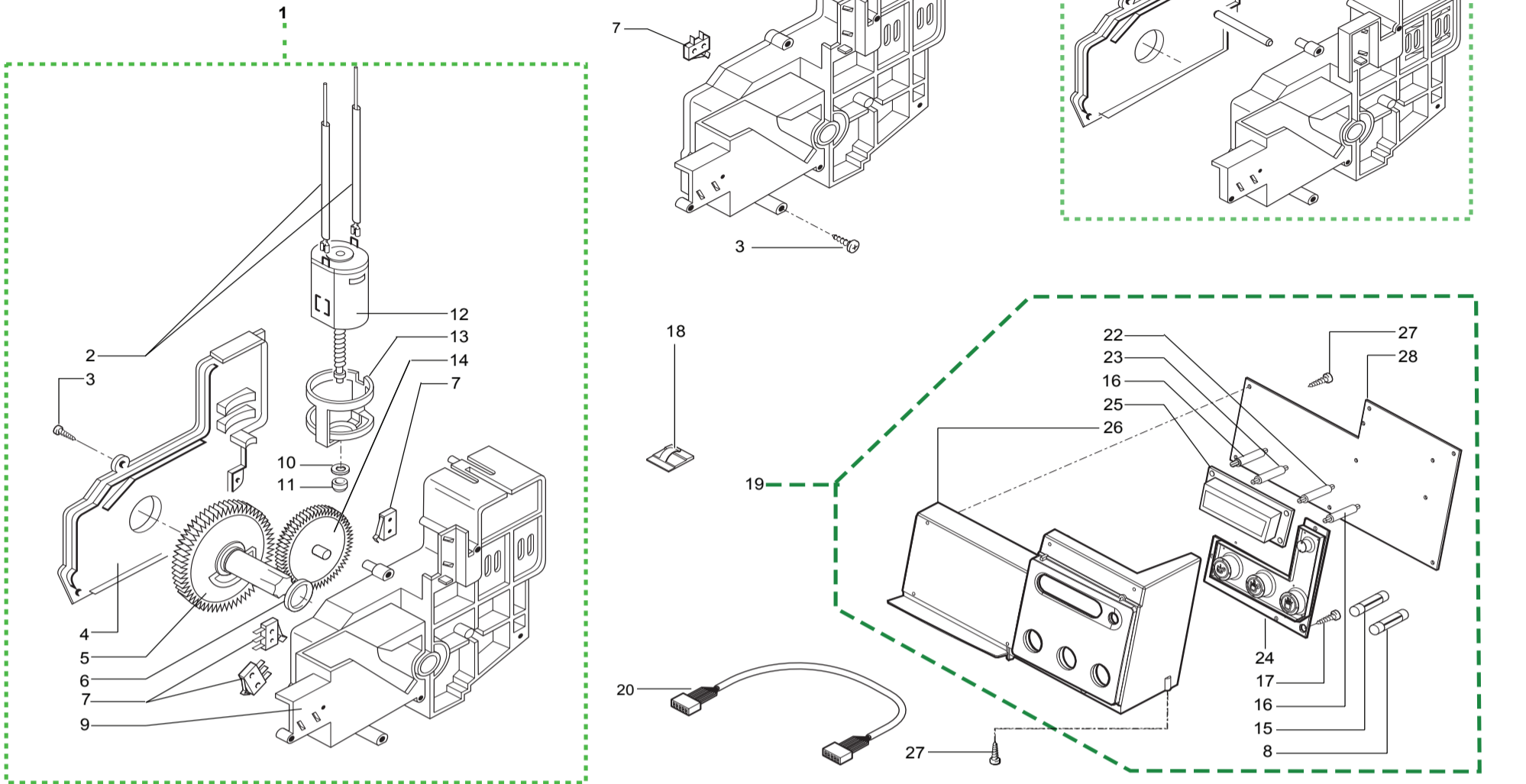
VE ROYAL OFFICE UP-GRADE
COD.0368-100001503-1581-1582-4050-4039



| Ref. | Code | Description | Version | Ref. | Code | Description | Version |
|------|--------------|--|--------------------------|------|--------------|--------------------------------------|--------------------------|
| 01 | 0368.820 | HARNESS WITH KLIXON PUMP | | 35 | 11008569 | SOLE.N.VALVE 15VA 2 WAY 1/8" FEM.TEA | 230V |
| 02 | 9011.144 | FORK FOR TUBE D.4 | | | 11008570 | SOLE.N.VALVE 15VA 2 WAY 1/8" FEM.TEA | 120V |
| 03 | 227875400 | CONNECTOR AS.TEFLON 2X4 L=330 MM | | 35 | 11008575 | SOLE.N.VALVE 15VA 2W.1/8"FEM.DN3 TEA | 100V |
| 04 | 140328059 | OR 2015 IN SILICONE PTFE/FDA | | 36 | 0333.024 | SHEET METAL PROTECTION | |
| 05 | 229452100 | COMPENS.AND SAFETY VALVE 16BAR ASSY | | 37 | NR07.021 | STANDARD CONN. L MF 1/8 NICK | |
| 06 | 140321961 | OR 2031 IN TERMOIL | | 38 | U303.002 | NUT HEXAGONAL M12X1,25UNI 5589 | |
| 07 | 149185850 | EATON PUMP SUPPORT MAGIC 4002012 | | 39 | 0333.028 | WATER DISPENSING TUBE | |
| 08 | 0301.056.150 | POWER CABLE CONT. VDE GREY | | 40 | 126838117 | 2 THERMOSTATS FIXING SPRING | |
| | 0335.008.150 | POWER SUPPLY CABLE GREY UL | | 41 | 123453902 | SELF-LOCKI.NUT M5X0,8 DIN 980 CLA.8 | |
| 09 | 0301.055.150 | LID FOR POWER CABLE CONT. GREY | | 42 | 147756562 | PROTECTION FOR FOLK SPRING TUBE D=4 | 230V-1100W |
| 10 | 129670202 | TCB PANELVIT SCREW 3,5X16 TESTAD=8 ZNP | | 43 | U110.013 | SCREW AUT.TCB 3,9X6,5 DIN 7981 F | 120V-1100W |
| 11 | 0333.A08 | TURBINE ASS. OFFICE | | 44 | 126838017 | SENSOR FIXING SPRING | 100V-1100W |
| | 0333.A11 | TURBINE ASS. OFFICE UL | | 45 | 288582300 | SENSOR ELECT.BOARD WITH CONNECTASSY. | |
| 12 | JS01.022 | SILICONE TUBE 5X10 60 SHORE IN ROLL | | 46 | 11028403 | CONNECTOR | |
| 13 | 144650300 | SUCTION FILTER GAUZE NET 500 (NEW) | | | 0333.831 | CONNECTOR 2 POLE OFFICE UL ASSY. | |
| 14 | 9161.018 | BRACKET FOR TURBINE | | 47 | 145951600 | ELECTRIC INSULATING DISK D=16 | |
| 15 | 11009009 | TEA/BRASS CONNECT.FOR TUBE TEFLON 4X2 | FROM S/N.9004ROO0028749 | 48 | 282058858 | ALUM.BOILER WITH RESISTANCE | 230V-1100W |
| 16 | 286473300 | -M-VDE TURBINE WITH SENSOR KIT | WITH PART.N°23 | | 282058855 | ALU.BOILER WITH RESISTANCE | 120V-1100W |
| 17 | 0333.834 | CONNECT. INTERFACE POWER CARD ASSY | | | 282058854 | ALUM.BOILER WITH RESISTANCE | 100V-1100W |
| 18 | 9979.B40 | TEFLON ASS. TUBE 4X2 L.250 OG-OG | FROM S/N.9004ROO0028749 | 49 | 0333.080 | BRACKET FOR BOILER OFFICE | |
| 19 | 147920150 | 90°CONNECTOR PUMP INLET | | 50 | 9979.A55 | TEFLON TUBE ASS. 4X2 L.260 7-7 | UP TO S/N.9004ROO0028748 |
| 20 | 12000140 | ULKA PUMP EP5/S GW | 230V-50HZ | 51 | 9011.132 | SPRING FOR PIN | |
| | 12000131 | ULKA PUMP EP5/S | 120V-60HZ | 52 | 11009013 | TEA/BRASS PIN FOR PISTON L=10 | |
| | 12000132 | ULKA PUMP EP5/S GW | 220V-50/60HZ | 53 | 11009019 | TEA/BRASS PISTON L=20,9 ASSY. | |
| | 12000130 | ULKA PUMP EP5/S GW | 100V-50/60HZ | 54 | 140320459 | OR ORM 0080-20 IN SILICONE PTFE/FDA | |
| 21 | 147620400 | SQUARE SELF ADH. FOOT SJ 5018 BLACK | | 55 | 9011.100 | PEG FOR VALVE IN PLASTIC | |
| 22 | 0368.817 | 3 POLE CONNECTOR | | 56 | NM01.035 | OR ORM 0090-20 SILICONE | |
| | 0317.830 | CONN. ASS. 3 POLE TURBINE PROFES.U | | 57 | NM01.057 | OR ORM 0050-20 SILICONE | |
| 23 | | PARTICULAR NOT AVAILABLE | SEE PART.N°16 | 58 | 11005099 | NATURAL CURSOR V2 FOR BOILER P119 | |
| 24 | 9991.039 | CABLE RETAINER UL | | 59 | 189428200 | THERMOSTAT 175° 1NT-08L-3794 | |
| 25 | 0301.A12.00A | CAP + FILTER ASSY | | 60 | 0333.076 | BOILER CONNECTOR OFFICE | |
| 26 | 0327.035.150 | ANTIDISTURB FILTER SUPPORT | | 61 | 0333.078 | CONN.ADAPTER | |
| 27 | U208.009 | TOOTHED WASHER 8,4X15 UNI 3703 | | 62 | 0333.077 | NUT | |
| 28 | U302.007 | NUT HEXAGONAL M8 UNI 5588 | | 63 | 0333.079 | PIN SUPPORT | |
| 29 | U043.021 | SCREW TCBC M5,0X8 UNI 7687 GALV. | | 64 | 0333.A04.00A | WATER DISPENSING VALVE ASS.230V | UP TO S/N.9004ROO0028748 |
| 30 | 9161.126.150 | COVER FOR FILTER CARD GREY | | | 0368.A14.00A | WATER DISPENSING VALVE ASS.230V | FROM S/N.9004ROO0028749 |
| | 9161.336.150 | COVER FOR FILTER CARD GREY UL | | | 0333.A04.00F | WATER DISPENSING VALVE ASS.120V | UP TO S/N.9004ROO0028748 |
| 31 | 0301.828.00F | FILTRATION CARD SUPERAUTOM. | 120V | | 0368.A14.00F | WATER DISPENSING VALVE ASS.120V | FROM S/N.9004ROO0028749 |
| | | | (B) (I) (D) | | 0333.A04.00R | WATER DISPENSING VALVE ASS.100V | UP TO S/N.9004ROO0028748 |
| 32 | NE01.061 | CABLE SCHUKO H05 GREY 1 MM | (CH) | | 0368.A14.00R | WATER DISPENSING VALVE ASS.100V | FROM S/N.9004ROO0028749 |
| | NE01.062 | CABLE CH H05 GREY 1 MM | (J) (USA) | 65 | 9972.150 | BLACK SILICONE TUBE 7,5X9,3 L=210 MM | FINO MATR.9004ROO0028748 |
| | NE01.116 | CABLE USA 3P GREY 1 MM | (BR) | 66 | 129932202 | ROUND HEAD SCREW 10.9 M5X20 GALV | FINO MATR.9004ROO0028748 |
| | 17800032 | BLACK POWER CABLE BRAZIL L=1770 | | 67 | 229431200 | BLACK SILICONE TUBE 7,5X9,3 L=250 MM | |
| 33 | U140.009 | PANELVIT TCB 3,0X16 DIN 7505 B GAL | | 100 | 140328059 | OR 2015 IN SILICONE PTFE/FDA | |
| 34 | 9011.152 | BRASS CONNECTOR 1/8" FOR TUBE D=4 | UP TO S/N.9004ROO0028748 | 101 | 9011.144 | FORK FOR TUBE D.4 | |

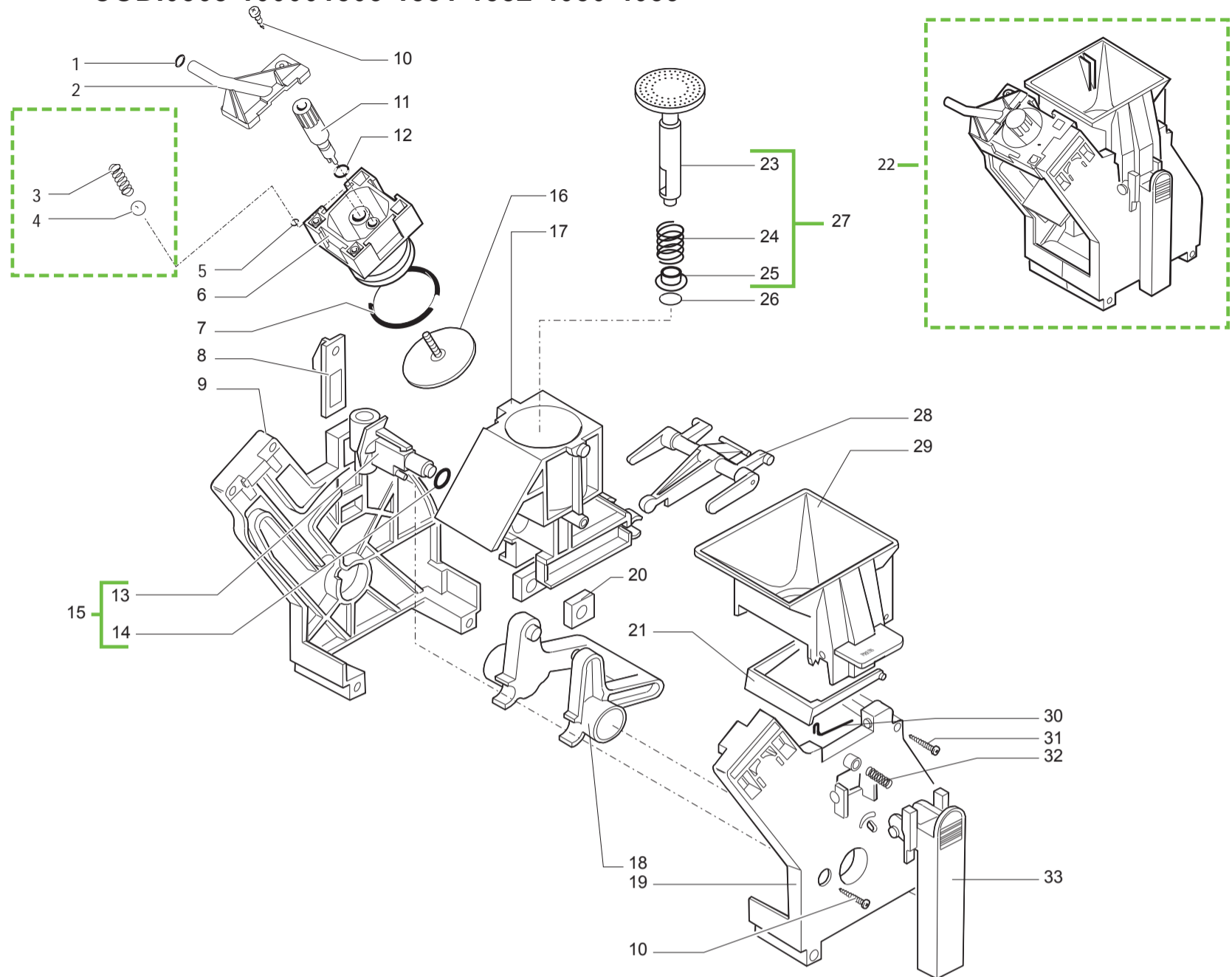


| Ref. | Code | Description | Version | Ref. | Code | Description | Version |
|------|--------------|---------------------------------------|--------------|------|--------------|---|---------|
| 01 | 0301.811 | CONNECTOR 2 POLES LEVEL ASSY. | | 38 | 0333.A07.840 | GRINDING ADJ. LEVER ASS. | |
| | 0368.818 | 2 POLE CONNECTOR | | | 0333.A07.660 | GRINDING ADJ. LEVER ASS. SILVER TF | |
| | 0317.829 | CONN. ASS. 2 POLE LEVEL UL | | 39 | 129512503 | SCREW TCB 2,9X9,5 DIN 7981 NICK | |
| 02 | U140.004 | PANELVIT TCB 3,0X12 DIN 7505 B GAL | | 40 | U201.001 | PLAIN WASHER 3,2X9 DIN 7349 GAL | |
| 03 | 9161.048 | SCRAPER ROD | | 41 | 9161.404.150 | DOSE ADJUST. SCALE GREY RAL 7016 | |
| 04 | 9161.076.150 | DOSER DOOR PIN GREY | | 42 | 149186150 | BLACK UPPER GRINDER SUPPORT MAGIC | |
| 05 | 9161.074.150 | DOSER DOOR GREY | | 43 | 9141.039 | UPPER GRINDER | |
| 06 | 126764818 | SPRING ELECTROM.BEAN DOSER MAGIC | | 44 | 142844550 | UPPER GRINDER COVER COFFEE GRIND. MAGIC | |
| 07 | U701.003 | SNAP RING 7 UNI 7434 | | 45 | 129931002 | TORX SCREW T10 TCB 3,5X40 SX ZNG | |
| 08 | 9161.041 | DOSER ELECTROMAGNET CORE | | 46 | 147470763 | INCREASE SCREW PIN COFFEE GRINDER MAGIC | |
| 09 | 9129.A21.00A | WHOLE COIL X SUPERAUT. | 230V | 47 | U201.002 | PLAIN WASHER 10X16X0,2DIN 988 GAL | |
| | 9129.A07.00F | COFFEE DOSER COIL ASS. | 120V | 48 | 9141.040 | CONICAL GRINDER | |
| 10 | NE05.017 | MICROSWITCH | | 49 | 149188750 | CONICAL GRIND. SUPP. + RING MAGIC | |
| 11 | 9161.072.150 | MICRO SUPPORT CURSOR GREY | | 50 | 146570950 | RING NUT FOR GRINDING ADJUSTMENT MAGIC | |
| 12 | 9161.073.150 | DOSE CONTROL COMPENSATOR GREY | | 51 | 128610421 | STAIL.STELL AISI 304 SPHERE D=3,2MM | |
| 13 | 9161.079.150 | POWDER COFFEE CONVEYOR GREY | | 52 | 126770117 | NEWSPRING SPHERE D=3,2 MOTOR MAGIC | |
| 14 | 0368.821 | 2 POLE CONNECTOR | | 53 | 9141.080 | MOTOR SUPPORT | |
| 15 | 0368.801 | 2 POLE CONN.COFFEE GRINDER ASSY | | 54 | 140230400 | SHOCKABS.CONICAL GRINDER SUPP.MAGIC | |
| | 0368.802 | 2 POLE CONN.COFFEE GRINDER ASSY UL | | 55 | 128610521 | STAIL.STEEL AISI 304 SPHERE D=5,5MM | |
| 16 | 144320200 | SELF LOCK STRIP L=200MM | | | | | |
| 17 | 9161.365.150 | GREY PLATE FOR COFFEE GRINDER | | | | | |
| 18 | 9161.382 | INSULATOR FOR COFFEE GRINDER | | | | | |
| 19 | 9161.366.150 | GREY/7016 SUPPORT FOR INSULATOR | | | | | |
| 20 | U043.004 | SCREW TCBC M4,0X16 UNI 7687 GALV. | | | | | |
| 21 | 9991.005 | RUBBER FOR COFFEE GRINDER | | | | | |
| 22 | 9141.003 | SPACER FOR RUBBER | | | | | |
| 23 | U324.006 | NUT M4 FLANGED INDENTED BASE | | | | | |
| 24 | NE05.037 | MICROSWITCH | | | | | |
| 25 | 9140.036.00A | STANDARD COFFEE GRINDER | 230V | | | | |
| | 9140.035.00A | STANDARD COFFEE GRINDER ITA | 230V | | | | |
| | 9140.036.00F | STANDARD COFFEE GRINDER | 120V | | | | |
| | 9140.036.00R | STANDARD COFFEE GRINDER | 100V 50/50HZ | | | | |
| 26 | 1505.020 | GASKET COFFEE GRINDER UL | | | | | |
| 27 | 1505.014 | COFFEE GRINDER SEAL | | | | | |
| 28 | 9991.103 | ANTIVIBRATION FOR COFFEEGRINDER | | | | | |
| 29 | 0301.R10.00A | SPARE MOTOR UNIT MC | 230V | | | | |
| | 1501.R09.00F | MOTOR SPARE UNIT | 120V | | | | |
| | 1501.R09.00R | MOTOR SPARE UNIT | 100V | | | | |
| 30 | 140360200 | FELT RING 40X34X5 | | | | | |
| 31 | 9161.097.150 | LEVER FIXING PLATE GREY | | | | | |
| 32 | 9161.077.150 | DOSE ADJUSTMENT LEVER DE LUXE GREY | | | | | |
| 33 | 126765517 | STEEL SPRING SPHERE D=5,5 MOTOR MAGIC | | | | | |
| 34 | 129511803 | SCREW TCB 2,9X6,4 DIN 7981 NICK | | | | | |
| 35 | 0333.045.840 | GRINDING ADJUSTMENT INDICATOR | | | | | |
| | 0333.045.660 | GRINDING ADJUSTMENT INDICATOR | | | | | |
| 36 | 0333.008 | GRINDING ADJ.LEVER | | | | | |
| 37 | 0333.009 | HANDGRIP RUBBER ADJUSTM.LEVER | | | | | |

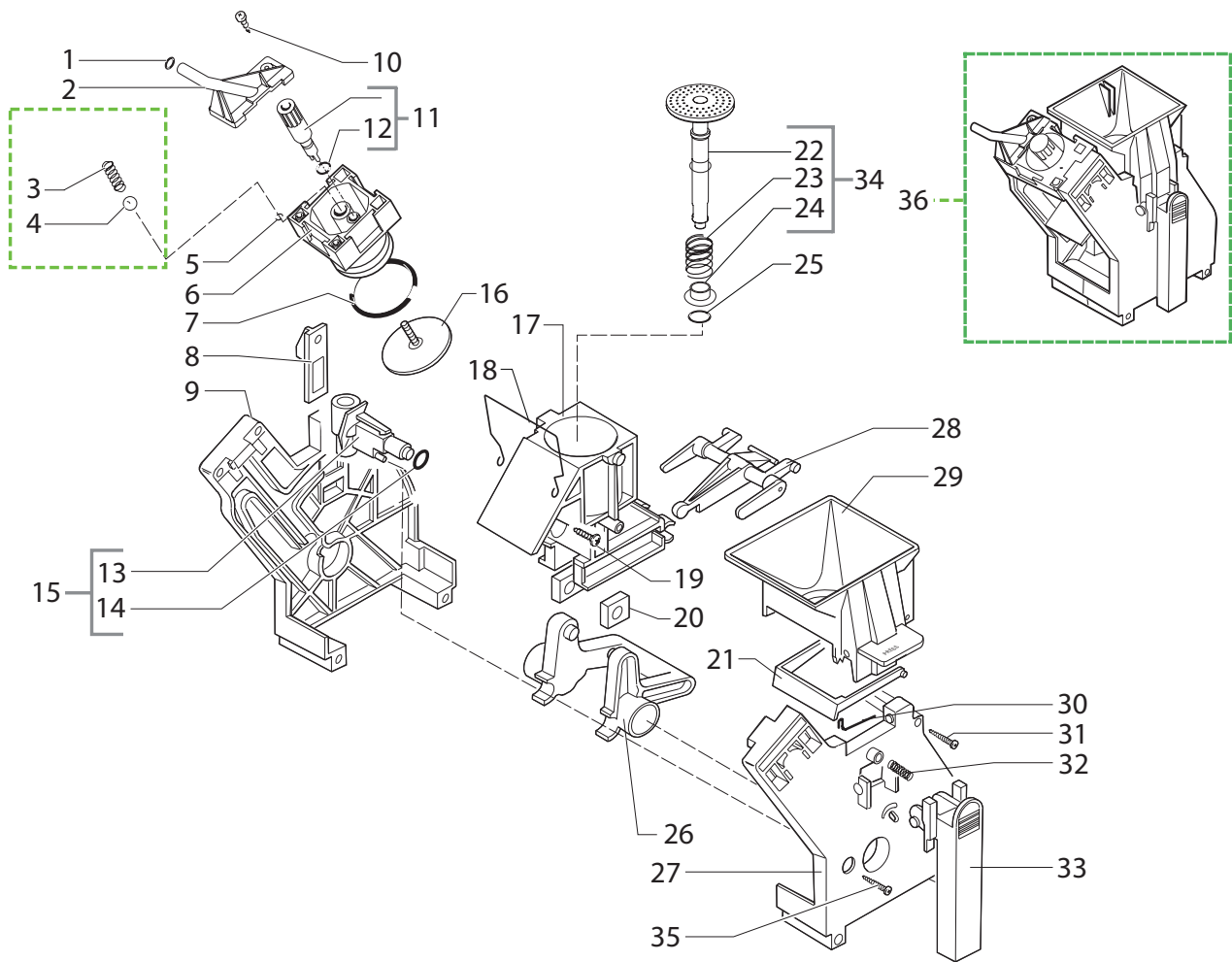


| Ref. | Code | Description | Version | Ref. | Code | Description | Version |
|------|--------------|---|---------|------|--------------|---|-------------------|
| 01 | 9120.021.150 | WIRED RATIOMOTOR OFFICE GREY ASSY. | 230V | 26 | 0333.049.770 | SILVER ELECTRONIC SUPP. ROYAL + LENS | |
| | 11005029 | WIRED RATIOMOTOR OFFICE GREY ASSY. | 120V | 26 | 0333.063.770 | ELECT. SUPP. S/SCREENED UL SILVER | |
| 02 | 0333.810 | CONN.2 POLE RATIOMOTOR OFFICE | | 27 | U140.004 | PANELVIT TCB 3,0X12 DIN 7505 B GAL | |
| 02 | 0333.821 | 2POLES CONNECT.RATIOMOTOR OFFICE ULASSY | 120V UL | 28 | 0368.804.00A | CPU CARD OFFICE UP.GRADE STD 230V | (B) (BR) (CH) (D) |
| 03 | 129670202 | TCB PANELVIT SCREW 3,5X16 TESTAD=8 ZNP | | | | UP TO S/N.9004ROO0031628 | |
| 04 | 17000719 | GREY RATIOMOTOR LID RYL | | | 0368.R12.00A | SPARE CPU CARD OFFICE UP.GRADE STD 230V | (B) (BR) (CH) (D) |
| | | FROM TO S/N TV901202001268 | | | 0368.804.00F | CPU CARD OFFICE UP.GRADE STD 120V | (J) (USA) (RC) |
| 05 | 9121.069.150 | GEAR Z=108 FOR MOUNTING PLATE M4000 | | | 0368.R12.00F | SPARE CPU CARD OFFICE UP.GRADE STD 120V | (J) (USA) (RC) |
| 06 | 9161.368 | MYLAR WASHER FOR RATIOMOTOR | | | 0368.803.00A | CPU CARD OFFICE UP.GRADE STD ITA 230V | (I) |
| 07 | NE05.038 | MICROSWITCH | | | 0368.R11.00A | SPARE CPU CARD OFFICE UP.GRADE STD ITA 230V | (I) |
| 08 | NE13.044 | FUSE 5,0X20 8A 250V DELAYED | | | | FROM S/N.9004ROO0031629 | |
| 09 | 11027899 | GREY RATIOMOTOR CASING W/DUCT V2 ASSY. | | | | UP TO S/N.9004ROO0031628 | |
| | | FROM TO S/N TV901202001268 | | | | | |
| 10 | 148380200 | WASHER BAKELIZZATE D=5,5 | | | | | (B) (BR) (CH) (D) |
| 11 | 9121.046 | SINTERED BUSH FOR MOTOR | | | | | (B) (BR) (CH) (D) |
| 12 | 11005214 | MOTOR FOR RATIOMOTOR P124 ASSY. | | | | | (J) (USA) |
| 13 | 9121.044 | ANTIVIBRATION FOR MOTOR | | | | | (USA) |
| 14 | 9121.042 | GEAR Z.12/90 | | | | | (I) |
| 15 | NE13.010 | FUSE 5,0X20 T 315MA 250V UL | | | | | (I) |
| 16 | NL04.006 | RICHCO SPACER MSPM06-01 | | | | | (RC) |
| 17 | U145.002 | screw AUT.TCB 3,0X6,0 PT WN1412 S | | | | | (RC) (J) |
| 18 | NE17.018 | ADH.CABLE RFETAI.ROUND CABLE | | | | | |
| 19 | 0368.R01.77A | SPARES ASS.ELECTRONIC OFFICE 230V | | | | | |
| | | UP TO S/N.9004ROO0031628 | | | | | |
| | 0368.R08.77A | SPARES ELECTRONIC OFFICE 230V ASSY. | | | | | |
| | | FROM S/N.9004ROO0031629 | | | | | |
| | 0368.R02.77F | SPARES ASS.ELECTRONIC OFFICE 120V | | | | | |
| | | UP TO S/N.9004ROO0031628 | | | | | |
| | 0368.R09.77F | SPARES ASS.ELECTRONIC OFFICE 120V | | | | | |
| | | FROM S/N.9004ROO0031629 | | | | | |
| | 0368.R03.77A | SPARES ASS.ELECTRONIC OFFICE 230V | | | | | |
| | | UP TO S/N. 9004ROO0031628 | | | | | |
| | 0368.R10.77A | SPARES ASS.ELECTRONIC OFFICE 230V | | | | | |
| | | FROM S/N.9004ROO0031629 | | | | | |
| | 0368.R01.77F | SPARES ASS.ELECTRONIC OFFICE 120V | | | | | |
| | | UP TO S/N. 9004ROO0031628 | | | | | |
| | 0368.R08.77F | SPARES ASS.ELECTRONIC OFFICE 120V | | | | | |
| | | FROM S/N.9004ROO0031629 | | | | | |
| 20 | 0368.808 | FLAT CONNECTION CARDS | | | | | |
| 21 | 20007052 | SPARES KIT GEARS FOR RATIOMOTOR RYL | | | | | |
| | | UP TO S/N.TV901202001267 | | | | | |
| 22 | NL04.005 | RICHCO SPACER MSPM05-01 BD | | | | | |
| 23 | NL04.004 | RICHCO SPACER MSPM07-01 BK | | | | | |
| 24 | 0333.803 | TOUCH PANEL CARD ASS. | | | | | |
| 25 | 0347.816 | DISPLAY FOR ROYAL REDESIGN | | | | | |

VE ROYAL OFFICE UP-GRADE
COD.0368-100001503-1581-1582-4050-4039



| Ref. | Code | Description | Version | Ref. | Code | Description | Version |
|------|--------------|--|---------|------|------|-------------|---------|
| 01 | NM02.017 | OR ORM 0055-15 TERMOIL | | | | | |
| 02 | 9161.034.150 | GREY COFFEE OUTLET SLEEVE | | | | | |
| 03 | 9161.222 | CONICAL SPRING | | | | | |
| 04 | 9161.320 | VALVE FOR UNIT | | | | | |
| 05 | NM02.013 | OR ORM 0080-15 TERMOIL | | | | | |
| 06 | 9161.193.150 | GREY COUNTERPISTON FOR COFFEE UNIT | | | | | |
| 07 | NM01.044 | OR ORM 0320-40 IN SILICONE PTFE/FDA | | | | | |
| 08 | 9161.067.150 | GREY PLATE FOR UNIT COUPLING | | | | | |
| 09 | 9161.070.150 | GREY REAR PLATE FOR UNIT | | | | | |
| 10 | U140.019 | PANELVIT TCB 3,0X16 DIN 7505 B SS | | | | | |
| 11 | 227470150 | PIN BLACK ASS.FOR PERCOLATOR | | | | | |
| 12 | NM02.006 | OR R5 TERMOIL | | | | | |
| 13 | 9161.064.150 | GREY WATER INLET SLEEVE BREW UNIT | | | | | |
| 14 | NM02.007 | OR 2025 TERMOIL | | | | | |
| 15 | 0301.R04.150 | SPARE SLEEVE UNIT GREY | | | | | |
| 16 | 20000400 | SPARE UNIT PERCOLATOR DE=35,8 WIT.INSERT | | | | | |
| 17 | 9161.195.150 | GREY CONTAINER FOR UNIT ASSY. | | | | | |
| 18 | 9161.066.150 | ELBOW SHAFT FOR UNIT GREY | | | | | |
| 19 | 9161.071.150 | GREY FRONT PLATE FOR UNIT | | | | | |
| 20 | 9161.094.150 | GREY DRILLED BLOCK BREW UNIT | | | | | |
| 21 | 9161.060.150 | GREY SCRAPER FOR COFFEE UNIT | | | | | |
| 22 | 11004180 | BLACK BREW UNIT NEW MAGIC-ROYAL (SEE COD. EXP.E90049 NEXT PAGE) NOTE:FOR SINGLE PARTS OF OLD GRAY BREW UNIT:SEE THIS TABLE | | | | | |
| 23 | 9161.306.150 | GREY INTEGRAL PISTON ASSY. | | | | | |
| 24 | 9161.198 | PISTON SPRING BREW UNIT M5000 | | | | | |
| 25 | 9161.191 | NEUTRAL PISTON BUSH BREW UNIT M5000 | | | | | |
| 26 | NM02.018 | OR ORM 0090-25 TERMOIL | | | | | |
| 27 | 9161.343.150 | INTERGRAL PISTON ASS. | | | | | |
| 28 | 9161.065.150 | CONNECTING ROD FOR UNIT GREY | | | | | |
| 29 | 9161.123.150 | GREY HOPPER FOR UNIT W/SILK SCREEN PRESS | | | | | |
| 30 | 9161.046 | SPRING FOR UNIT SCRAPER | | | | | |
| 31 | U109.026 | SS.SCREW AUT.TCB 3,5X19 DIN 7981 C | | | | | |
| 32 | 9161.045 | SPRING FOR UNIT HANDGRIP | | | | | |
| 33 | 9161.069.150 | GREY HANDGRIP FOR COFFEE UNIT | | | | | |



Saeco INTERNATIONAL GROUP **GRUPPO CAFFE' MAGIC-ROYAL NEW**



Cod. 11004180

| POS | CODICE | DESCRIZIONE | NOTE |
|-----|--------------|--|----------------|
| 01 | NM02.017 | OR ORM 0055-15 TERMOIL | |
| 02 | 11003797 | MANICOTTO USCITA CAF.GRUPPO MAGIC NERO | |
| 03 | 9161.222 | MOLLA CONICA | |
| 04 | 9991.168 | SFERA IN VETRO D.5 MM | |
| 05 | 11021334 | GUARN.DE=11 DI=8 SP=1,5 X CONTROPIST.NER | |
| 06 | 11003796 | CONTROPISTONE X GRUPPO CAFFE' NERO | |
| 07 | NM01.044 | OR ORM 0320-40 SILICONE PTFE/FDA | |
| 08 | 11004114 | PIASTRINA X AGGANCIO GRUPPO CAFFE' NERO | |
| 09 | 11003792 | PIASTRA POSTERIORE GRUPPO CAFFE' NERO | |
| 10 | U140.019 | PANELVIT TCB 3,0X16 DIN 7505 B INOX | |
| 11 | 227470150 | AS.PERNO X DOCCIA COMPLETO NERO | |
| 12 | NM02.006 | OR R5 TERMOIL | |
| 13 | 9161.064.050 | MANICOTTO ENTRATAACQUA NERO | |
| 14 | NM02.007 | OR 2025 IN TERMOIL | |
| 15 | 20000440 | GRUPPO RICAMBIO MANICOTTO NERO | |
| 16 | 9160.075 | AS.DOCCIA DE=35,8 ELFO C/VITE E DADO | |
| 17 | 11003075 | AS.CONT.CAF.C/BOCC.SALD.GRUP.P124 8G.NER | CON PART. N°25 |
| 18 | 11001556 | MOLLA RASATORE H=49 X GRUPPO CAF.SMART | |
| 19 | 129912521 | VITE TCBR 3,5X14 PLAST.INOX | |
| 20 | 9161.094.050 | BLOCCETTO FORATO X GRUPPO NERO | |
| 21 | 11004161 | RASATORE X GRUPPO CAFFE' NERO | |
| 22 | 11003077 | AS.PISTONE INTEGRALE GRUP.P124 8GR.NERO | |
| 23 | 9161.198 | MOLLA X PISTONE | |
| 24 | 9161.191 | BOCCOLA X PISTONE NEUTRO | |
| 25 | NM02.018 | OR METRICO 0090-25 IN TERMOIL | |
| 26 | 9161.066.050 | ALBERO A GOMITO X GRUPPO NERO | |
| 27 | 11003793 | PIASTRA ANTERIORE GRUPPO CAFFE' NERO | |
| 28 | 11003078 | BIELLA X GRUPPO P124 8GR.NERA | |
| 29 | 11003795 | TRAMOGGIA X GRUPPO CAFF.NERA SER.PRESS | |
| 30 | 9161.046 | MOLLA X RASATORE GRUPPO | |
| 31 | 12000897 | VITE TCB 3,5X20 PLAST.INOX | |
| 32 | 9161.045 | MOLLA X IMPUGNATURA GRUPPO | |
| 33 | 11003791 | IMPUGNATURA X GRUPPO CAFFE' NERA | |
| 34 | 11023086 | AS.GEN.PISTONE INTEGR.GRUP.CAF.8GR.NER. | |
| 35 | 12000550 | VITE TCB 3X25 PLAST.INOX | |
| 36 | 11004180 | GRUPPO CAFFE' MAGIC-ROYAL/NEW NERO | |

| POS | CODE | DESCRIPTION | NOTE |
|-----|--------------|--|-----------------|
| 01 | NM02.017 | OR ORM 0055-15 TERMOIL | |
| 02 | 11003797 | BLACK COFFEE OUTLET SLEEVE | |
| 03 | 9161.222 | CONICAL SPRING | |
| 04 | 9991.168 | GLASS SPHERE D.5MM | |
| 05 | 11021334 | BLK COUNTERPISTON SEAL DE=11 DI=8 SP=1,5 | |
| 06 | 11003796 | BLACK COUNTERPISTON FOR COFFEE UNIT | |
| 07 | NM01.044 | OR ORM 0320-40 SILICONE PTFE/FDA | |
| 08 | 11004114 | BLACK PLATE FOR UNIT COUPLING | |
| 09 | 11003792 | BLACK REAR PLATE FOR UNIT | |
| 10 | U140.019 | PANELVIT TCB 3,0X16 DIN 7505 B SS | |
| 11 | 227470150 | PIN BLACK ASS.FOR PERCOLATOR | |
| 12 | NM02.006 | OR R5 TERMOIL | |
| 13 | 9161.064.050 | WATER INLET SLEEVE BLACK | |
| 14 | NM02.007 | OR 2025 IN TERMOIL | |
| 15 | 20000440 | BLACK SPARE SLEEVE UNIT | |
| 16 | 9160.075 | PERCOLATOR DE=35,8 ELFO ASSY. | |
| 17 | 11003075 | COFF.CONT.WITH BEAR FOR BREW UNIT P124 | WITH PART. N°25 |
| 18 | 11001556 | SPRING H=49 FOR COFFEE BREW UNIT SMART | |
| 19 | 129912521 | SCREW TCBR TORX 10 3,5X14 PLAST.SS | |
| 20 | 9161.094.050 | DRILLED BLACK BLOCK FOR UNIT | |
| 21 | 11004161 | BLACK SCRAPER FOR COFFEE UNIT | |
| 22 | 11003077 | BLACK INTEGRAL PISTON UNIT P124 8GR.ASS | |
| 23 | 9161.198 | SPRING FOR PISTON | |
| 24 | 9161.191 | BUSH FOR PISTON NEUTRAL | |
| 25 | NM02.018 | OR ORM 0090-25 TERMOIL | |
| 26 | 9161.066.050 | ELBOW SHAFT FOR UNIT BLACK | |
| 27 | 11003793 | BLACK FRONT PLATE FOR UNIT | |
| 28 | 11003078 | BLACK CONNECTING ROD FOR UNIT P124 8GR. | |
| 29 | 11003795 | BLACK HOPPER FOR PRESS UNIT | |
| 30 | 9161.046 | SPRING FOR UNIT SCRAPER | |
| 31 | 12000897 | SCREW TCB TORX 10 3,5X20 PLAST.SS | |
| 32 | 9161.045 | SPRING FOR UNIT HANDGRIP | |
| 33 | 11003791 | BLACK HANDGRIP FOR COFFEE UNIT | |
| 34 | 11023086 | BLK 8GR.BREW UNIT NTEGR.PISTON GEN.ASSY. | |
| 35 | 12000550 | SCREW TCB TORX 10 3X25 PLAST.SS | |
| 36 | 11004180 | BLACK BREW UNIT NEW MAGIC-ROYAL | |