

# Aulika Black EVO

230V - 60Hz  
220V - 60Hz

IT	Italiano
EN	English
FR	Français
DE	Deutsch
ES	Español



(IT)

## SOMMARIO

<b>Tav. 01</b>	Telaio / Estetica
<b>Tav. 02</b>	Componenti erogazione
<b>Tav. 03</b>	Impianto elettrico
<b>Tav. 04</b>	Elettrovalvole/Caldiaie
<b>Tav. 05</b>	Circuito Idrraulico
<b>Tav. 06</b>	Coperchio superiore/Contentitori
<b>Tav. 07</b>	Macinacaffè
<b>Tav. 08</b>	Motoriduttore
<b>Tav. 09</b>	Gruppo caffè

(EN)

## INDEX

<b>Frame / aesthetics</b>
<b>Dispensing components</b>
<b>Electric system</b>
<b>Solenoid Valves/Boilers</b>
<b>Hydraulic System</b>
<b>Top cover/Containers</b>
<b>Grinder</b>
<b>Gearmotor</b>
<b>Coffee Group</b>

(FR)

## INDEX

<b>Cadre / esthétique</b>
<b>Distribution composants</b>
<b>Installation électrique</b>
<b>Electrovannes/Chaudières</b>
<b>Circuit hydraulique</b>
<b>Couverture supérieure/Conteneurs</b>
<b>Moulin à café</b>
<b>Motoréducteur</b>
<b>Groupe de café</b>

(DE)

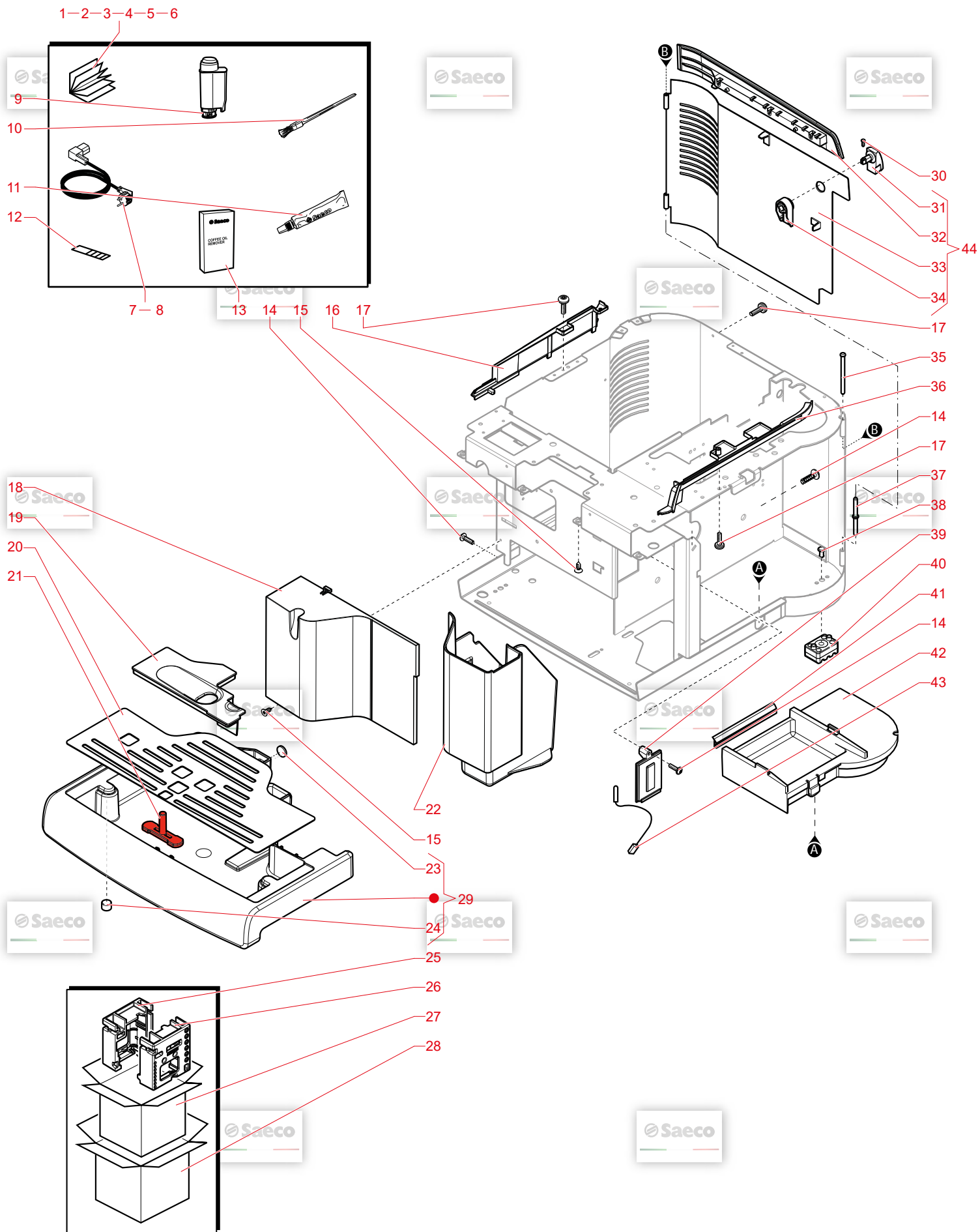
## VERZEICHNIS

<b>Rahmen / Ästhetik</b>
<b>Lieferbestandteile</b>
<b>Schaltbrett</b>
<b>Solenoidventile/Kessel</b>
<b>Wasser Leitung</b>
<b>Obere Abdeckung/Behälter</b>
<b>Kaffeemühle</b>
<b>Getriebemotor</b>
<b>Kaffeegruppe</b>

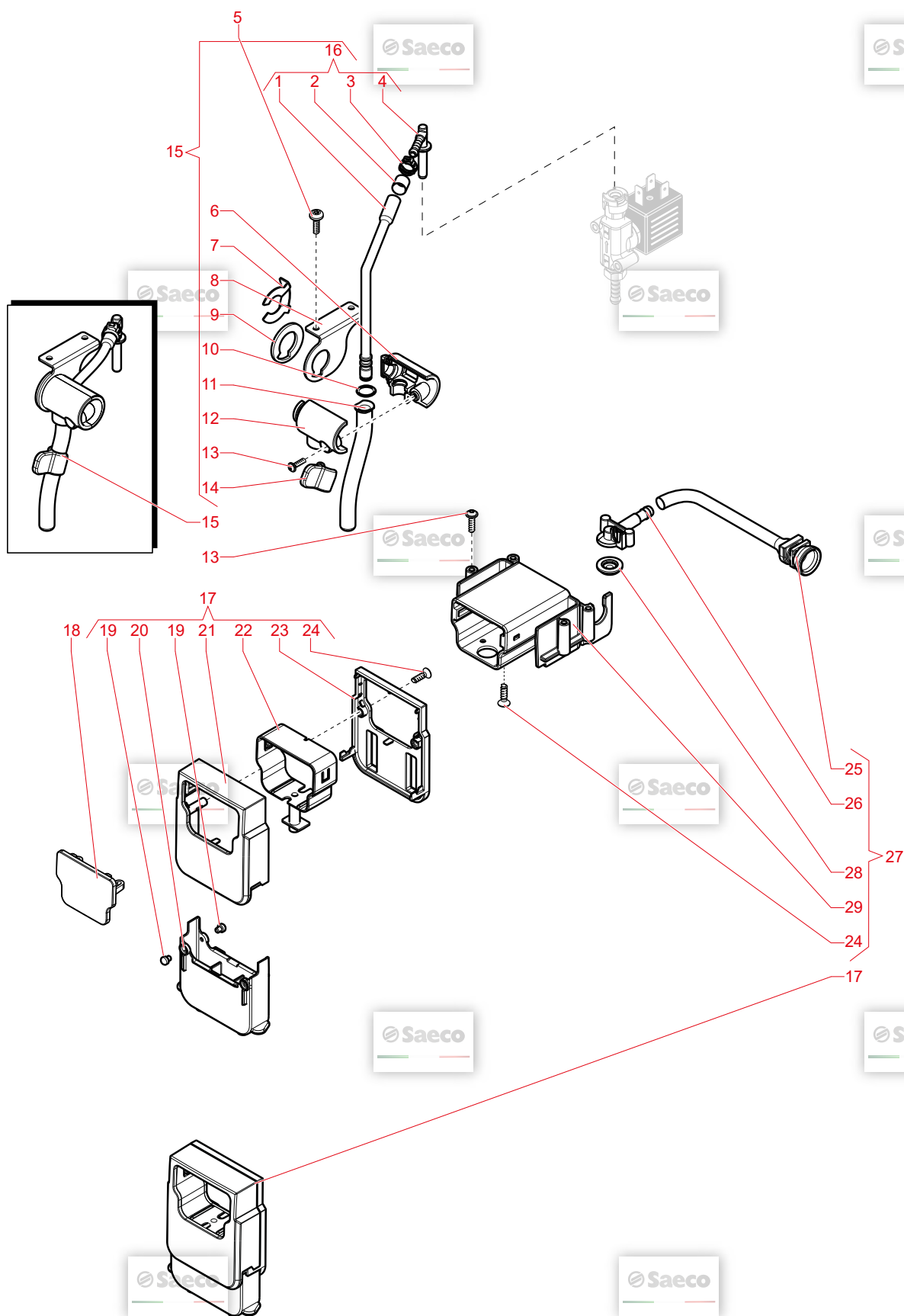
(ES)

## INDICE

<b>Marco / estética</b>
<b>Dispensación componentes</b>
<b>Instalación eléctrica</b>
<b>Válvula de solenoide/Calderas</b>
<b>Circuito idráulico</b>
<b>Cubierta superior/Contenedores</b>
<b>Molinillo de café</b>
<b>Motorreductor</b>
<b>Grupo de café</b>

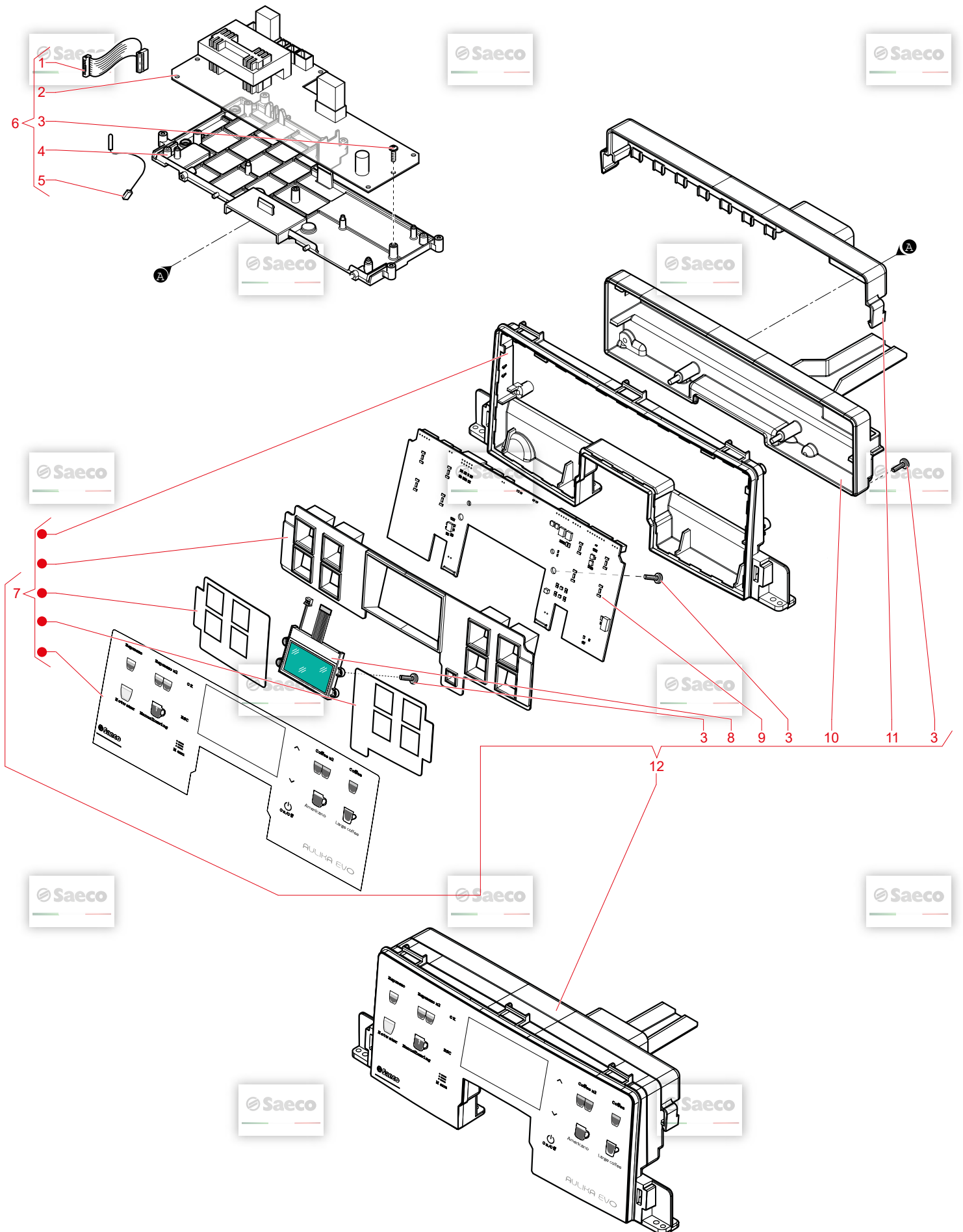


N.POSI	COD	I - DESCRIZIONE	UK - DESCRIPTION	F - DESCRIPTION	D - BEZEICHNUNG	E - DESCRIPCION	NOTE
1	263193	LIB.IST.SAE EVO.BLK RYLOIE IT					
2	263194	LIB.IST.SAE EVO.BLK RYLOIE GB					
3	263195	LIB.IST.SAE EVO.BLK RYLOIE FR					
4	263196	LIB.IST.SAE EVO.BLK RYLOIE DE					
5	263197	LIB.IST.SAE EVO.BLK RYLOIE ES					
6	263198	LIB.IST.SAE EVO.BLK RYLOIE PT					
7	183911050	CAVO AL.SCH.3X1 H05VV-F NER.L=	BLACK POWER CABLE SCHUKO L=1200	CABLE ALIMENTATION	NETZANSCHLUSSKABEL	CAVO AL.SCH.3X1 H05VV-F NER.L=12	BRA
8	170002019	LIB.IST.SAE EVO.BLK RYLOIE GB	BLACK POWER CABLE BRAZIL L=1200	NON UTILISE PAR LA FRANCE ET LE	Kabel 3X1 10AV2 NER.L=1200	BLACK POWER CABLE BRAZIL L=1200	
9	20022660	ACC BRITA WATER FILTER 1UNIT (10	ACC BRITA WATER FILTER 1UNIT (10	FILTRE BRITA INTENZA 1 UNITE (10	ACC BRITA WATER FILTER 1UNIT (10	ACC BRITA WATER FILTER 1UNIT (10	
10	127330100	PENNELLO PER PULIZIA	BRUSH FOR CLEANING	PINCEAU	Reinigungsinsel	PENNELLO PER PULIZIA	
11	145550100	GRASSO KLUBER ISOFLEX TOPAS NC	GREASE KLUBER ISOFLEX TOPAS NCA	GRAISSE KLUBER ISOFLEX TOPAS NCA	SILKONFETT KLUBER ISOFLEX	GRASSO KLUBER ISOFLEX TOPAS NCA5	
12	0301.961	STICKER TEST DUREZZA ACQUA	STICKER FOR WATER HARDNESS TEST	TEST DE DURETE D'EAU	Teststreifen Für Wasserhärte	STICKER TEST DUREZZA ACQUA	
13	21002663	ACC COF.OIL REMOVER 1UNIT CORE+W	ACC COF.OIL REMOVER 1UNIT CORE+W	ACC COF.OIL REMOVER 1UNIT CORE+W	ACC COF.OIL REMOVER 1UNIT CORE+W	ACC COF.OIL REMOVER 1UNIT CORE+W	
14	12000450	VITE TCBR 3.5X12 PLAST.ZN-N	SCREW TCBR TORX 10 3.5X12 PLAST.	VIS TCBR TORX 10 3.5X12 PLAST.ZN	Tornschraube 3,5 x 12	VITE TCBR 3,5X12 PLAST.ZN-N	
15	129635721	VITE TSP 3.5X9.5 DINT982 TORX	SCREW TSP TORX 10 AB 3.5X9.5 SHE	VIS TSP 3.5X9.5	Tornschraube 3,5 x 9,5	VITE TSP 3,5X9,5 DINT982 TORX IN	
16	11036714	INS.CHIUSSURA SX BLK CARC. RYLO	BLACK CASING LEFT CLOSING INSERT R	BLK CASING LEFT CLOSING INSERT R	BLK CASING LEFT CLOSING INSERT R	INS.CHIUSSURA SX BLK CARC. RYLOIE	
17	12001622	VITE TCB B 3.5X9.5 LAMIERA ZN-N	SCREW TCB TORX B 3.5X9.5 SCHEET	VIS TCB B 3.5X9.5 LAMIERA ZN-N	TORXSCHRAUBE 3,5X9,5	VITE TCB B 3,5X9,5 LAMIERA ZN-N	
18	263181	COP.ANT.CARC.RYL/F V.NER.5VA	BLACK DRIP TRAY COVER RYL	COUVERCLE BAC EGOUTTEMENT	Deckel sz Abtropfschale New Roya	COP.VASCA REC.ACQ.RYL NER.	
19	17000982	COP.VASCA REC.ACQ.RYL NER.	BA/SS DRIP TRAY GRATE RYL/T	GRILLE BAC RECUPERATION EAU INOX	Abtropfgitter INOX	GRIGLIA VASCA REC.ACQ.RYL/T INOX	
20	17000183	GRIGLIA VASCA REC.ACQ.RYL/T IN	RED FLOAT V2 FOR DRIP TRAY RYL	FLOTTEUR BAC EAU USEES ROUGE	RED FLOAT V2 FOR DRIP TRAY RYL	GALLEG.VASCA REC.ACQ.V2 RYL ROS.	
21	17000991	GALLEG.VASCA REC.ACQ.V2 RYL RO	UNPAINTED DUMP BOX RYL ASSY.	AS.CAS.FONDI RYL NER.D/VERN.	AS.CAS.FONDI RYL NER.D/VERN.	AS.CAS.FONDI RYL NER.D/VERN.	
22	11031200	AS.CAS.FONDI RYL NER.D/VERN.	MAGNET D=9.5 X H=1.5	AIMANT BAC A MARC MAGIC	Magnetscheibe d=9,5mm h=1,5mm	MAGNETE D=9,5 X H=1,5	
23	9991.093	MAGNETE D=9.5 X H=1.5	MAGNET FOR FLOAT SUPERAUT.	FLOTTEUR MAGNETIQUE	MAGNET	MAGNETE X GALLEGGIANTE SUPERAUT.	
24	9161.111	INS.SX SCATOLA RYL EVOIF PSE					
25	263187	INS.DX SCATOLA RYL EVOIF PSE					
26	263186	SCAT.BIA.RYL/T SAE ROYAL ONE T	WHITE BOX RYL/T SAE ROYAL ONE TO	CARTON D'EMBALLAGE	WHITE BOX RYL/T SAE ROYAL ONE TO	SCAT.BIA.RYL/T SAE ROYAL ONE TOU	
27	13001640	SCAT.BIA.RYL/T SAE ROYAL ONE T	UNPAINTED DRIP TRAY RYL ASSY.V2				
28	263185	SCAT.EST.AULIKA EVO FOC/BLK	NAIL 2X6 UNI 7591 BURN.	RIVET	Niete 2X6	CHIODO 2X6 UNI 7591 BRU	
29	11036904	AS.VASCA REC.ACQ.RYL NER.D/VER	7015/GREY DOOR CLOSURE KNOB	BLK CASING CLOSING INSERT RYL/E	Verschluss Türe ROCL grau	POMI.CHIUSURA SPORT.GRI/7015	
30	U433.001	CHIODO 2X6 UNI 7591 BRU	BLK CASING CLOSING INSERT RYL/E			INS.SPORTELLO BLK RYL/E	
31	0301.039.150	POMI.CHIUSURA SPORT.GRI/7015	GREY DOOR CLOSURE LEVER	CLANCHE PORTILLON GRISE	Verschlusshebel grau	LEVA CHIUSURA SPORT.GRI	
32	11036713	INS.SPORTELLO BLK RYL/E	NIK/BRASS PIN FOR DOOR SUPERAUT.	AXE DE PORTE	Scharnierbolzen oben	SPINA SPORT.SUPERAUT.OT/NIK	
33	263170	SPORT.CAR.RYL/EF ACC.VER.NER.	BLK CASING RIGHT CLOSING INSERT	BLK CASING RIGHT CLOSING INSERT	Scharnierbolzen unten	INS.CHIUSSURA DX BLK CARC. RYLO	
34	0301.040.150	LEVA CHIUSURA SPORT.GRI	BLACK RIGID FOOT FIXING PIN MYB9	PIVOT DE FIXATION PIED	Fixierungsnase Gehäusesfuß	SPINA SPORT.SUPERAUT.OT/NIK	
35	0301.019	SPINA SPORT.SUPERAUT.OT/NIK	GREY MOUNTING PLATE INSERT RYL	INSERT PLAQUE DE MONTAGE	GREY MOUNTING PLATE INSERT RYL	PERNO FISSAG.PIEDINO RIGIDO MYB9	
36	11036715	INS.CHIUSSURA DX BLK CARC. RYLO	BLACK/TRANSP.RIGID FOOT MYB9	PIED RIGIDE	Gehäusesfuß	INS.PIAS.MONTAG.RYL.GRI	
37	0301.020	SPINA SPORT.SUPERAUT.OT/NIK	SEAL FOR UNIT PLATE	GARNITURE GROUPE CAFE	Dichtung Brühgruppe MA, R	PIEDINO RIGIDO MYB9 NER/TRASP.	
38	11021769	PERNO FISSAG.PIEDINO RIGIDO MY	GREY BREW UNIT SUPPORT PLATE ROY	PLAQ.GROUPE CAFE GRISE	Schublade Brühgruppe MA, RO	PIAS.SUPP.GRUP.ROYAL.GRI	
39	17000240	INS.PIAS.MONTAG.RYL.GRI	3P.CONN.DUMP BOX REED SENS.V2 RY	CONNECTEURS 3 POLES	3P.CONN.DUMP BOX REED SENS.V2 RY	PIAS.SUPP.GRUP.ROYAL.GRI	
40	11021829	PIEDINO RIGIDO MYB9 NER/TRASP.					
41	9161.140	GUARNIZIONE X PIASTRA GRUPPO					
42	0301.041.150	PIAS.SUPP.GRUP.ROYAL.GRI					
43	421946004691	AS.CONN.3P.SENS.REED CAS.FOND.					
44	263209	AS.SPORT.CARC.RYL/EF ACC.NER					



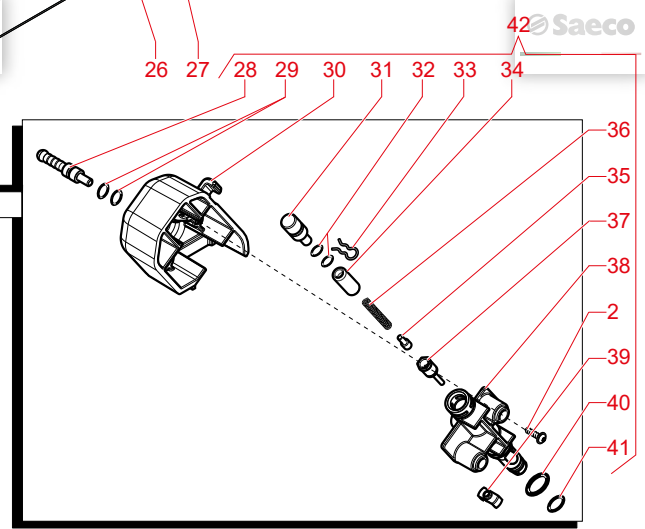
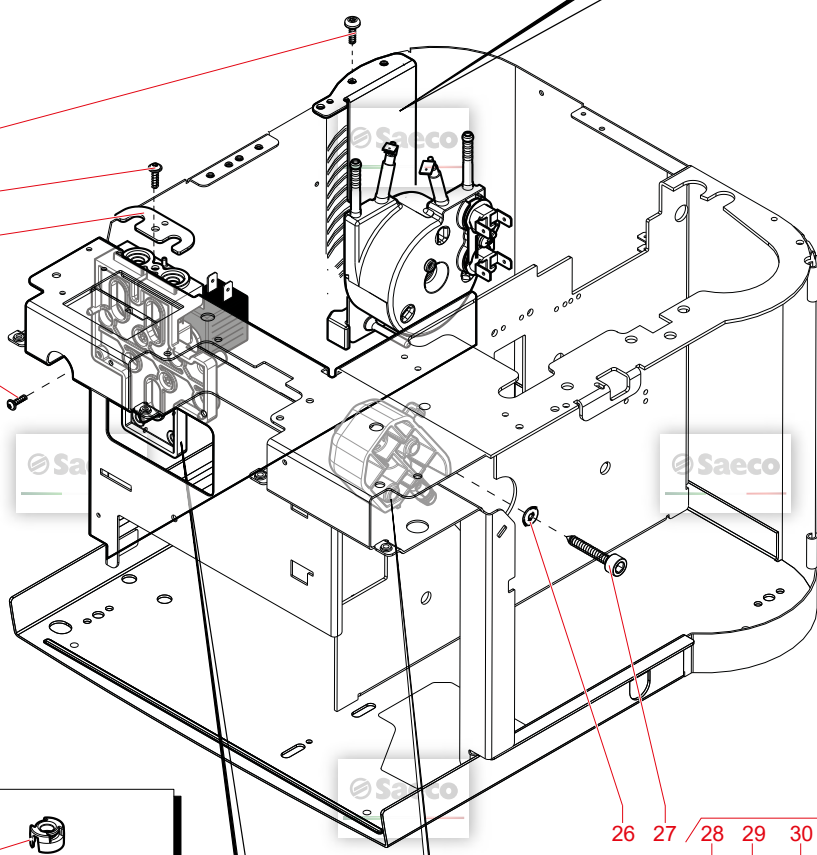
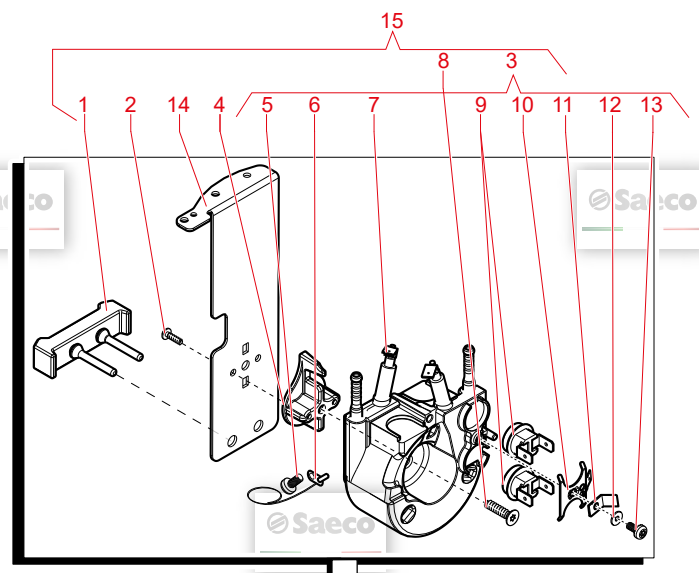
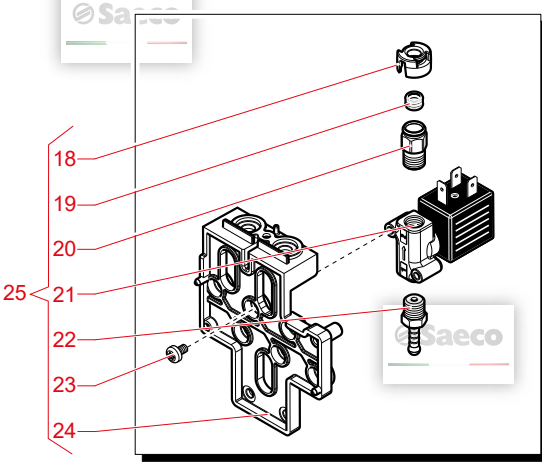
N.POSI COD	I - DESCRIZIONE	UK - DESCRIPTION	F - DESCRIPTION	D - BEZEICHNUNG	E - DESCRIPCION
1	11022989 TUBO EROG.VAPMDS SILIC.NER.	BLACK SILIC.STEAM DISPENSER TUBE	BLACK SILIC.STEAM DISPENSER TUBE	Dampfrohr schwarz Silikon	BLACK SILIC.STEAM DISPENSER TUBE
2	11025683 TUBO DI=9.5 SP=0.30 L=10 NER.	BLACK TUBE DI=9.5 SP=0.30 L=10	BLACK TUBE DI=9.5 SP=0.30 L=10	BLACK TUBE DI=9.5 SP=0.30 L=10	BLACK TUBE DI=9.5 SP=0.30 L=10
3	12000892 FASCETTA OETIKER D=9.5 16700004	OETIKER CLAMP D=9.5 16700004	AGRAFES OETIKER D=9.5 16700004	OETTINGERKLEIMME D=9.5	FASCETTA OETIKER D=9.5 16700004
4	17002197 RAC.TUBO VAP/CAPPUCCIN/STEAM TUBE CONNEX	BLACK CAPPUCCIN/STEAM TUBE CONNEX	BLACK CAPPUCCIN/STEAM TUBE CONNEX	BLACK CAPPUCCIN/STEAM TUBE CONNEX	
5	12001622 VITE TCB B 3.5X9.5 LAMIERA ZN-N	SCREW TCB TORX B 3.5X9.5 SCHEET	VIS TCB B 3.5X9.5 LAMIERA ZN-N	TORXSCHRAUBE 3.5X9.5	VITE TCB B 3.5X9.5 LAMIERA ZN-N
6	17000672 SUPPPOST.TUBO VAPRYL NER.	BLACK REAR STEAM TUBE SUPPORT RY	BLACK REAR STEAM TUBE VAPEUR	BLACK REAR STEAM TUBE SUPPORT RY	SUPPPOST.TUBO VAPRYL NER.
7	NF11.084 MOLLA A FORCELLA ACC.FOSF.	PHOSPH/STEEL FOLK SPRING	RESSORT A FOURCHE	Klemmfeder HWD - Rohr Incantito, D	MOLLA A FORCELLA ACC.FOSF.
8	17000815 STAFFA SUPP.TUBO VAPRYL ACC.	STEEL STEAM TUBE SUPPORT BRACKET	EQUERRE SUPOORT TUBE VAPEUR	STEEL STEAM TUBE SUPPORT BRACKET	STAFFA SUPP.TUBO VAPRYL ACC.
9	11001624 RONDELLA TUBO VAP.P0049 NER.	BLACK STEAM TUBE WASHER P0049	RONDELLE DE BLOCAGE TUBE VAPEUR	Unterlegscheibe zu Dampfrohr	RONDELLA TUBO VAP.P0049 NER.
10	140321961 OR 2031 NFDA NBR 70 FDA	O-RING 2031 NFDA NBR 70 FDA	O-RING 2031 NFDA NBR 70 FDA	O-RING 2031 NFDA NBR 70 FDA	OR 2031 NFDA NBR 70 FDA
11	11025760 TUBO VAPRYL OT/CROM.TF	TF/CHROM.STEAM TUBE RYL	TUBE VAPRYL OT/CROM.TF	TUBO VAPRYL OT/CROM.TF	TUBO VAPRYL OT/CROM.TF
12	17001437 SUPP.ANT.TUBO VAPRYL NER.	BLACK FRONT STEAM TUBE SUPPORT R	SUPPORT AVANT TUBE VAPEUR	BLACK FRONT STEAM TUBE SUPPORT R	SUPP.ANT.TUBO VAPRYL NER.
13	12000450 VITE TCBR 3.5X12 PLAST.ZN-N	SCREW TCBR TORX 10.3.5X12 PLAST.	VIS TCBR TORX 10.3.5X12 PLAST.ZN	TORXSCHRAUBE 3.5X12	VITE TCBR 3.5X12 PLAST.ZN-N
14	17001574 IMPUGN.TUBO VAPRYLO NER.	BLACK STEAM TUBE HANDGRIP RYLO	POIGNEE TUBE VAPEUR NOIRE	BLACK STEAM TUBE HANDGRIP RYLO	IMPUGN.TUBO VAPRYLO NER.
15	11031416 AS.TUBO VAP.V3 RYL/T OT/TEA OT	TF/CHROM.STEAM TUBE V3 RYL/T ASS	AS.TUBE VAP.V3 RYL/T OT/TEA OT/C	TF/CHROM.STEAM TUBE V3 RYL/T ASS	AS.TUBO VAP.V3 RYL/T OT/TEA OT/C
16	20007030 KIT TUBO USCITA VAPRYL NER.	BLACK OUTPUT STEAM TUBE KIT RYL	KIT TUBE VAPEUR	BLACK OUTPUT STEAM TUBE KIT RYL	KIT TUBO USCITA VAPRYL NER.
17	11036787 AS.EROG.CAF.RYL BLU	BLUE COFFEE DISPENSER RYL ASSY	BLUE COFFEE DISPENSER RYL ASSY	BLUE COFFEE DISPENSER RYL ASSY	AS.EROG.CAF.RYL BLU
18	263208 COP.SUPP.EROG.CAF.RYL/O.V.BLU	WHITE COFFEE DISPENSER SLIDER MY	PATIN EROGATION CAFE	Gleitstück im Auslauf	PATTINO EROG.CAF.MYB9 BIA.
19	11013085 PATTINO EROG.CAF.MYB9 BIA.	BLACK EXT.MOBILE PART COF.DISPEN	PARTIE MOBILE EXTERNE EROGATION	BLACK EXT.MOBILE PART COF.DISPEN	PATTINO EROG.CAF.MYB9 BIA.
20	17000246 PARTE MOBILE EST.EROG.CAF.RYL	BLK FRONT COF.DISPENSER COVER	CORPS ARRIERE EROGATION CAFE	BLACK INNER BODY COFFEE DISPENS.	PARTE MOBILE EST.EROG.CAF.RYL NE
21	11037042 COP.ANT.EROG.CAF.RYL VERN.NER.	BLACK REAR COF.DISPENSER COVER	CORPS ARRIERE EROGATION CAFE	BLACK REAR COVER COFFEE DISPENSE	COP.ANT.EROG.CAF.RYL VERN.NER.
22	17000251 CORPO INT.EROG.CAF.RYL NER.	BLACK INNER BODY COFFEE DISPENS.	VIS TSP 3X10 PLAST.INOX	TORXSCHRAUBE 3X10	CORPO INT.EROG.CAF.RYL NER.
23	17000248 COP.POS.EROG.CAF.RYL NER.	BLACK REAR COVER COFFEE DISPENSE	RACCORD PASSAGE CAFE	Raccord schwarz Kaffeezulauf	COP.POS.EROG.CAF.RYL NER.
24	12000895 VITE TSP 3X10 PLAST.INOX	SCREW TSP TORX 10.3X10 PLAST.SS	TUBE EROGATION CAFE	Kaffeerauslaufrohr schwarz	SCREW TSP TORX 10.3X10 PLAST.SS
25	17000614 RAC.INGRES.CAF.EROG.RYL NER.	BLACK DISPENSER COFF.INLET CONNE	AS.SUPP.EROG.CAF.RYL/H NER.	AS.SUPP.EROG.CAF.RYL/H NER.	RAC.INGRES.CAF.EROG.RYL NER.
26	17000616 TUBO EROG.CAF.RYL NER.	BLACK COFFEE DISPENSER TUBE RYL	TUBE EROGATION CAFE	AS.SUPP.EROG.CAF.RYL/H NER.	TUBO EROG.CAF.RYL NER.
27	11031103 AS.SUPP.EROG.CAF.RYL/H NER.	BLK COFFEE DISPENSER SUPPORT RYL	CARNITURE EROGATION CAFE	Dichtung schwarz Kaffeerauslauf	AS.SUPP.EROG.CAF.RYL/H NER.
28	17000337 GUARN.EROG.CAF.RYL NER.	BLACK SEAL FOR COFFEE DISPENSER	SUPPORT EROGATION CAFE	BLACK COFFEE DISPENSER SUPPORT R	GUARN.EROG.CAF.RYL NER.
29	17000257 SUPP.EROG.CAF.RYL NER.	BLACK COFFEE DISPENSER SUPPORT R			SUPP.EROG.CAF.RYL NER.





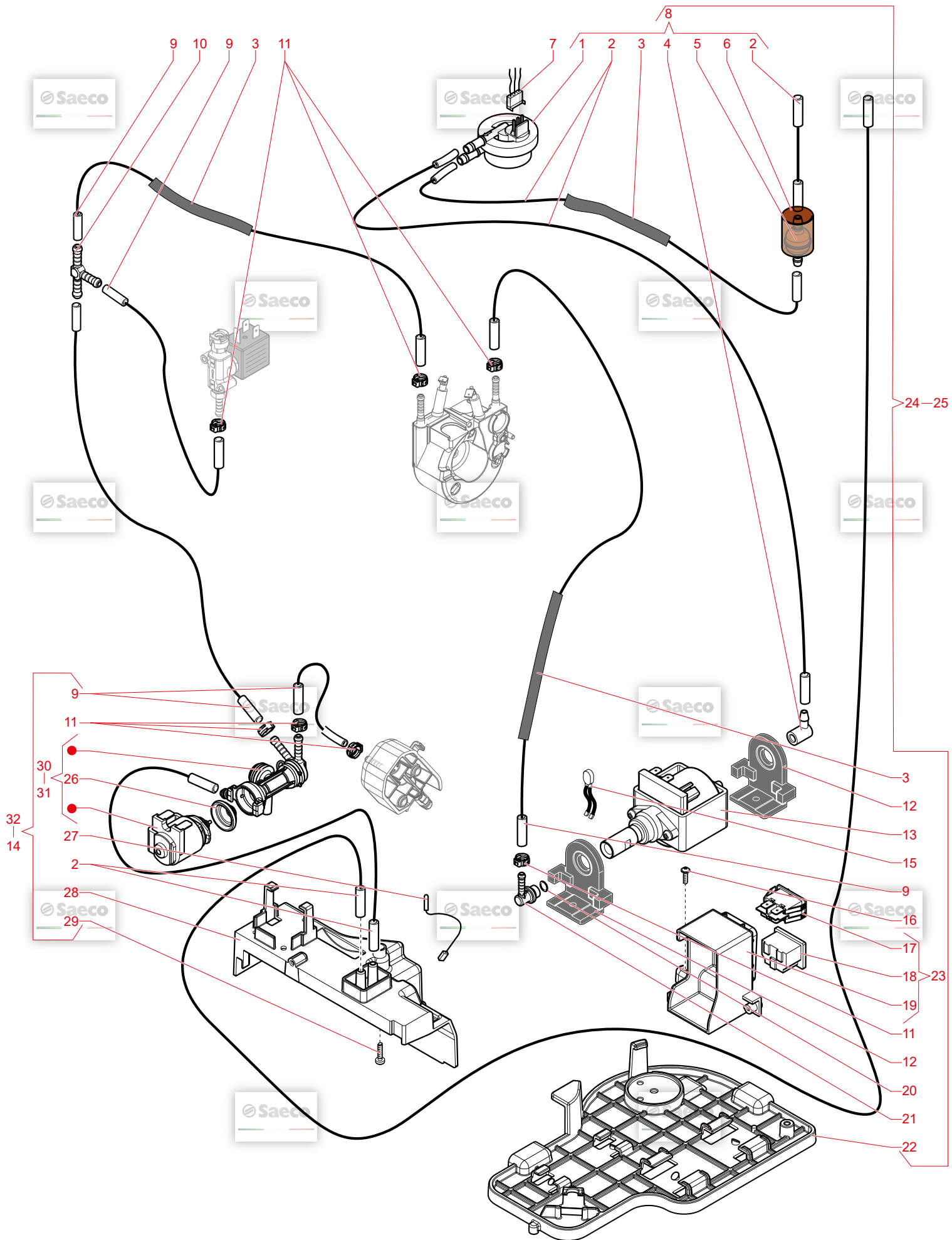
N.POSI COD	I - DESCRIZIONE	UK - DESCRIPTION	F - DESCRIPTION	D - BEZEICHNUNG	E - DESCRIPCION	NOTE
1	263204	FLAT CABLE 14P.CPU-PWR EVO RYL	PWR BOARD RYL/RYLO V2 230V	PWR BOARD RYL/RYLO V2 230V	PWR BOARD RYL/RYLO V2 230V	NOTE
2	421941307761	PWR BOARD RYL/RYLO V2 230V	SCREW TCBR TORX 10 3.5X12 PLAST.	TORXSCHRAUBE 3.5X12	VITE TCBR 3.5X12 PLASTZN-N	Saeco
3	12000450	VITE TCBR 3.5X12 PLASTZN-N	BLACK PWR BOARD SUPPORT RYL	BLACK PWR BOARD SUPPORT RYL	SUPP.SCHEDA PWR RYL NER.	Saeco
4	17000275	SUPP.SCHEDA PWR RYL NER.	WHITE DISPLAY 160x80	WHITE DISPLAY 160X80	DISP.LY 160x80 BIANCO	Saeco
5	263203	AS. CONN. 2 POLI CC	ASSY CPU+FW	ASSY CPU+FW	DISP.LY 160x80 BIANCO	Saeco
6	263212	AS.PARTI EL. RYL/E/F 230/50	CONTROL PANEL INF.COVER RYL/E	CONTROL PANEL SUP.COVER RYL/E	DISP.LY 160x80 BIANCO	Saeco
7	263223	AS.PANN. FRONT. RYL/E OFFIC V2	CONTROL PANEL INF.COVER RYL/E	CONTROL PANEL SUP.COVER RYL/E	DISP.LY 160x80 BIANCO	Saeco
8	12001779	DISPLAY 160x80 BIANCO	ASS. CPU+FW	ASS. CPU+FW	DISP.LY 160x80 BIANCO	Saeco
9	20000062	COP.INF.FRONT.COMANDI RYL/E	COP.INF.FRONT.COMANDI RYL/E	COP.INF.FRONT.COMANDI RYL/E	DISP.LY 160x80 BIANCO	Saeco
10	11037020	COP.SUP.FRONT.COMANDI RYL/E	COP.SUP.FRONT.COMANDI RYL/E	COP.SUP.FRONT.COMANDI RYL/E	DISP.LY 160x80 BIANCO	Saeco
11	11037021	AS.FRONTALINO COMANDI RYL/E	AS.FRONTALINO COMANDI RYL/E	AS.FRONTALINO COMANDI RYL/E	DISP.LY 160x80 BIANCO	Saeco
12	263216	AS.FRONTALINO COMANDI RYL/E OFF	AS.FRONTALINO COMANDI RYL/E OFF	AS.FRONTALINO COMANDI RYL/E OFF	DISP.LY 160x80 BIANCO	Saeco





N.POSI	COD	I - DESCRIZIONE	UK - DESCRIPTION	F - DESCRIPTION	D - BEZEICHNUNG	E - DESCRIPCION
1	17000471	ANTIVIBRANTE CALD.RYL.NER.	BLACK BOILER ANTIVIBRATION RYL	ANTIVIBRATION CHAUDIERE	BLACK BOILER ANTIVIBRATION RYL	ANTIVIBRANTE CALD.RYL.NER.
2	12000450	VITE TCBR 3,5X12 PLAST.ZN-N	SCREW TCBR TORX 10 3.5X12 PLAST.	VIS TCBR TORX 10 3.5X12 PLASTZN	TORXSCHRAUBE 3.5X12	AS.CALD.T.SLIM V2 C2 T190°-190°1
3	421941229822	AS.CALD.T.SLIM V2 C2 T190°-190	SLIM TCHAUD V2 C2 T190-190 1300	CHAUDIERE SLIM V2 T190°-190°1300	AS.CALD.T.SLIM V2 C2 T190°-190°1	NEU.SLIM.TUB.BOILERS SUPPORT V2
4	421944057621	SUPP.FISSAG.CALDAIE.TUB.SLIM V	NEU.SLIM.TUB.BOILERS SUPPORT V2	NEU.SLIM.TUB.BOILERS SUPPORT V2	NEU.SLIM.TUB.BOILERS SUPPORT V2	VITE TCB PHISW 4X10 UNI 8112 ZNP
5	129573402	VITE TCB PHISW 4X10 UNI 8112 Z	SCREW TAPT M4X10 DIN 7985 GALV	VITE TCB PHISW 4X10 UNI 8112 Z	Temperatura sensor NTC UL L=280 mm	SENSORE TEMPERATURA NTC UL L=280
6	190080100	SENSORE TEMPERATURA NTC UL L=2	TUB BOILER XS4 1300W 230V ASSY.	CHAUDIERE TUBULAIRE NIE XS4 1300	TUB BOILER XS4 1300W 230V ASSY.	TUB BOILER XS4 1300W 230V ASSY.
7	421944024121	AS.CALD.TUB.XS4 1300W 230V	SCREW TSP TORX 10 5X35 PLAST.SS	VIS TSP 5X35 PLAST.INOX	TUB BOILER XS4 1300W 230V ASSY.	SCREW TSP TORX 10 5X35 PLAST.SS
8	12001369	VITE TSP 5X35 PLAST.INOX	TERMOSTAT ONE SHOT 190°	TERMOSTAT ONE SHOT 190°	TERMOSTAT ONE SHOT 190°	TERMOSTATO ONE SHOT 190°
9	12001033	TERMOSTATO ONE SHOT 190°	TUB BOILER V3 UPPER THERM.FIXING	RESSORT V3 PROTECTION THERMOSTAT	HALTBÜGEL MIT PE	MOLLA FERM.TERMOS.SUP.CALD.TUB.V
10	11001751	FASTON PIEGATO 45° 6,3X0,8 OTT	BRASS BEINT FASTON 45° 6,3X0,8	RACCORD DE PROTECTION 45° 6,3X0,	Schaltzeiletranschlüß 45°	FASTON PIEGATO 45° 6,3X0,8 OTTON
11	124390520	AS.CALD.T.SLIM V2 C2 T190°-190	GALV.WASHER UNI 8842 A4	RONDELLE UNI 8842 A4 ZINC	FÄCHRSCHRAIBE A4 3 DIN6798 VERZI	ROSETTA UNI 8842 A4 ZINC.
12	128310402	ROSETTA UNI 8842 A4 ZINC.	SCREW TCB TORX 20 M4X8 AUTOFORMI	VIS CB TORX 20 M4X8 AUTOFORMING	TORXSCHRAUBE 4X8	SCREW TCB TORX 20 M4X8 AUTOFORMI
13	12001715	VITE TCB M4X8 AUTOFORM.S/TEST.	STEEL COFFEE TUBOL.BOILER SUPPOR	SUPPORT CHAUD / TUBE CAFE	STEEL COFFEE TUBOL.BOILER SUPPOR	SUPP.CALD.TUB.CAF.RYL.T ACC.
14	17000163	SUPP.CALD.TUB.CAF.RYL.T ACC.	COFFEE TUB BOILER 230V RYL/P ASS	COFFEE TUB BOILER 230V RYL/P ASS	COFFEE TUB BOILER 230V RYL/P ASS	AS.GEN.CALD.TUB.CAF.RYL/P 230V
15	11035974	AS.GEN.CALD.TUB.CAF.RYL/P 230V	SCREW TCB TORX B 3.5X9.5 SCHEET	VIS TCB B 3.5X9.5 LAMIERA ZN-N	TORXSCHRAUBE 3.5X9.5	VITE TCB B 3.5X9.5 LAMIERA ZN-N
16	12001622	VITE TCB B 3.5X9.5 LAMIERA ZN-	STEEL CONNECTORS FIXING PLATE RY	PLAQUE DE BLOCAGE	STEEL CONNECTORS FIXING PLATE RY	PIAS BLOCCAG.RACCORDI RYL ACC.
17	17000428	PIAS BLOCCAG.RACCORDI RYL ACC.	"BLK EV 1/8""GAS CONNECTOR V2 INSE"	INSERT RACCORD ELECTROVANNE V2	"BLK EV 1/8""GAS CONNECTOR V2 INSE"	"INS.RAC.1/8""GAS.ELETTROV.V2.RYL."
18	17001178	"INS.RAC.1/8""GAS.ELETTROV.V2.RYL"	"RED EV CONNECTOR 1/8""GAS SEAL V2"	CONNECTEUR ROUGE	"RED EV CONNECTOR 1/8""GAS SEAL V2"	"GUARN.RAC.1/8""GAS.ELETTROV.V2.RY"
19	17001909	"GUARN.RAC.1/8""GAS.ELETTROV.V2"	"TEA/B/BRASS ELECTROV/CONNECT 1/8""GA"	"RAC.1/8""GAS.ELETTROV.V2.RYL OT/TT"	"TEA/B/BRASS ELECTROV/CONNECT 1/8""GA"	"RAC.1/8""GAS.ELETTROV.V2.RYL OT/TT"
20	11027334	EV ODE 2 VIE 21JN1R4V20-X031	LFBRASS 2W.EV 21JN1R4V20-X031	ELECTROVANNE 2 VOIES	LFBRASS 2W.EV 21JN1R4V20-X031	LFBRASS 2W.EV 21JN1R4V20-X031
21	17001262	"RAC.DIR.1/8""G.C/RESCA.CALD.AL"	TEA/B/BRASS CONNECTOR FOR ALUM.BOI	"RACCORD LAITON 1/8""	"Raccord gerade 1/8"" Boiler messi"	"RAC.DIR.1/8""G.C/RESCA.CALD.AL OT"
22	11006304	"RAC.DIR.1/8""G.C/RESCA.CALD.AL"	BLACK ELECTROV/CONNECTOR SUPPRY	SUPPELETTROV/RAC.3/VI.E RYL.NER	BLACK ELECTROV/CONNECTOR SUPPRY	SUPPELETTROV/RAC.3/VI.E RYL.NER.
23	17000168	SUPPELETTROV/RAC.3/VI.E RYL.NER	SCREW TCB TORX 20 M4X6 ZN-B	VIS TCB TORX 20 M4X6 ZN-B	Senkschraube TCB TORX 20 M4X6 ZN	VITE TCB TORX 20 M4X6 ZN-B
24	U043.012	VITE TCB TORX 20 M4X6 ZN-B	TEA/B/BRASS ELECTROV.V4 RYL/H 24V	TEA/B/BRASS ELECTROV.V4 RYL/H 24V	TEA/B/BRASS ELECTROV.V4 RYL/H 24V	AS.ELETTROVALVOLE V4 RYL/H OT/TT
25	11035181	AS.ELETTROVALVOLE V4 RYL/H OT/TT	WASHER UNI 8842 A5 SS	RONDELLE	WASHER UNI 8842 A5 SS	ROSETTA UNI 8842 A5 INOX
26	128310521	ROSETTA UNI 8842 A5 INOX	GALVANIZED SELF-TAPPING SCREW 4,	VIS TCEI AUTOFILET 4.8X32 ZINC	Schraube 4,8 x 32 selbstschneide	VITE TCEI AUTOFILET 4.8X32 ZINC
27	11003555	VITE TCEI AUTOFILET 4.8X32 ZINC	TEA/B/BRASS CONNECTOR FOR SILICONE	ADAPTEUR DE LIASON TUBE	O-RING 2015 SILIKON	RAC.FAST LOCK DIR.TUBO SIL.RETIN
28	11000750	RAC.FAST LOCK DIR.TUBO SIL.RET	OR 2015 SILICONE PTFE/FDA	JOINT OR 2015 SILICONE ROUGE	O-RING 2015 SILIKON	OR 2015 SILICONE PTFE/FDA
29	140328059	OR 2015 SILICONE PTFE/FDA	BLACK HOT WATER PIN SUPPORT RYL	BOUCHON PIVOT	BLACK HOT WATER PIN SUPPORT RYL	SUPP.PERNO PASS.ACQ.CALDA RYL
30	17000156	SUPP.PERNO PASS.ACQ.CALDA RYL	TEA/B/BRASS HOT WATER PIN PLUG RYL	TEA/B/BRASS HOT WATER PIN PLUG RYL	TEA/B/BRASS HOT WATER PIN PLUG RYL	TAPPO PERNO PASS.ACQ.CALDA RYL O
31	11026413	TAPPO PERNO PASS.ACQ.CALDA RYL	OR ORM 0040-20 SILICONE	JOINT OR 0040-20 SILICONE	O-Ring 0040-20 Silikon	OR ORM 0040-20 SILICONE
32	140326662	OR ORM 0040-20 SILICONE	SS FORK FOR TUBE D=4	AGRAFE TUYAU	Sicherungsfeder Schlauch VI, RO	FORCELLA X TUBO D=4 INOX
33	9011.144	FORCELLA X TUBO D=4 INOX	TEA/B/BRASS BOILER PIN BUSH	BIGUE LATON	Fixierhülse zu Boiler messing	BOCC.PERNO CALD OT/TT/EA
34	11009012	BOCC.PERNO CALD OT/TT/EA	TEA/B/BRASS PIN FOR PISTON L=10	PIVOT POUR PISTON L=10 OT/TT/EA	Stift zu Ventil L=10	PERNO X PISTONCINO L=10 OT/TT/EA
35	11009013	PERNO X PISTONCINO L=10 OT/TT/EA	SS SPRING FOR PIN	RESSORT POUR EPINGLE	FEDER VENTILSTUTZEN	MOLLA PISTONCINO INOX
36	9011.132	MOLLA PISTONCINO INOX	TEA/B/BRASS PISTON L=20,9 ASSY.	ENS PISTON	VENTILSTIFT + DICHTUNG VITON	AS.PISTONCINO C/GOLA L=20,9 OT/TT
37	11009019	AS.PISTONCINO C/GOLA L=20,9 OT	HOT WATER PIN	PIPETTE CHAUDIERE	Ventilzapfen MA-RD	PERNO PASS.ACQUA CALDA
38	9161.434	PERNO PASS.ACQUA CALDA	NATURAL CURSOR V2 FOR BOILER P11	CURSEUR DE CHAUDIERE P119	GLEITSTÜCK AUSLAUFSTUTZEN	CURSOE CALD.V2 P119 PEEK NAT.
39	11005099	CURSOE CALD.V2 P119 PEEK NAT.	OR ORM 0090-20 SILICONE	JOINT OR ORM 90-20	O-RING ORM 0090-20 SILICON	OR ORM 0090-20 SILICONE
40	11001035	OR ORM 0090-20 SILICONE	OR ORM 0050-20 IN SILICONE	JOINT OR ORM 50-20	O-RING ORM 0050-20 SILICON	OR ORM 0050-20 SILICONE
41	NM01.057	OR ORM 0050-20 SILICONE	TEA/B/BRASS HOT WATER PIN RYL ASSY	ENS.PIVOT PASSAGE EAU CHAUDE	TEA/B/BRASS HOT WATER PIN RYL ASSY	AS.PERNO PASS.ACQ.CALDA RYL OT
42	11025744	AS.PERNO PASS.ACQ.CALDA RYL OT				





N.POSI COD	I - DESCRIZIONE	UK - DESCRIPTION	F - DESCRIPTION	D - BEZEICHNUNG	E - DESCRIPCION
1	NV99,089	TURBINE D=1,2 ASSY.	DEBITMETRE D=1,2	TURBINE D=1,2	AS.TURBINA D=1,2
2	11035450	SILICONE TUBE 5X10 L.2000MM	SILICONE TUBE 5X10 L.2000MM	SILICONE TUBE 5X10 L.2000MM	TUBO SILICONE 5X10 TRASP. L.2000
3	11032467	SILICONE TUBE 11X12,8 L.2000 MM	TUBE SILICONE 11X12,8	Siliconschlauch 11X12,8 l=2mtr.	TUBO SILICONE 11X12,8 L=2000 MM
4	147920150	90° INLET PUMP CONNECTOR	RACCORD 90° CAOUTCHUC	Pumpenanschlußwinkel 90° weiß Ku	RAC.INGRESSO A 90° POMPA NEU.
5	12001585	TRANS/WHITE ASPIRATION FILTER M	FILTRE D'ASPIRATION	Ansaugfilter M/D's weiß/transparen	FILTRO ASPIRAZ.MDS BIA/TRASP.
6	147756562	BLK PROTECTION FOR FOLK SPRING T	PROTECTION OF TUBE	Abdeckung zu Klemmfeder	PROTEZ.MOLLA FORCELLA TUBO D=4
7	421946001551	6P CONN FLOWMETER V3 RYL UL ASSY	CONNECTEUR 6 POLES	6P CONN.FLOWMETER V3 RYL UL ASSY	6P.CONN.FLOWMETER V3 RYL UL ASSY
8	263226	PINK 5X8,9 SILICONE TUBE L=2000MM	TUBO SIL.RETIN.5X8,9 L=2000MM RO	TUBO SIL.RETIN.5X8,9 L=2000MM RO	TUBO SIL.RETIN.5X8,9 L=2000MM RO
9	11027788	T CONNECTOR FOR BOILER P604	RACCORD EN T CHAUD P604	T-Raccord Boilerausgang P604 neu	RAC.A T USCITA CALD P604 NEU.
10	11007493	OETIKER CLAMP D=9,5 16700004	AGRAFES OETIKER D=9,5 16700004	OETTINGERKLEMMME D=9,5	FASCETTA OETIKER D=9,5 16700004
11	12000892	BLACK PUMP SUPPORT GMYB	SUPPORT POMPE NOIR GMYB	Support Pompe	SUPP.POMPA GMYB NER.
12	11022857	PUMP 230V-50HZ	PUMP 230V-50HZ	PUMP 230V-50HZ	POMPA 230V-50HZ PLASTICA
13	12000140	AS.PROT+VALV.SCARICO RYL/H 220/60			AS.PROT+VALV.SCARICO RYL/H 220/60
14	263234	AS.CONN.2P.POMPA CAF.RYL UL	CONNECTEUR 2 POLES POMPE CAFE	2POLES CONNECTOR COFFEE PUMP RYL	AS.CONN.2P.POMPA CAF.RYL UL
15	17800202	VITE TCBR TORX 10 3,5X12 PLAST.	VIS TOBR TORX 10 3,5X12 PLASTZN	TORXSCHRAUBE 3,5X12	VITE TCBR 3,5X12 PLAST.ZN-N
16	12000450	INT.BIPOL.FUSIT C1250AR	INTERRUPTEUR BIPOLAIRE	Schalter Ein/Aus MA-RO	INT.BIPOL.FUSIT C1250AR
17	NE03,038	PRESA A VASCH.C/SMUSSI V3 EN 6	SOCLE DE PRISE	CUP SOCKET V3 EN 60320 C.13	PRESA A VASCH.C/SMUSSI V3 EN 603
18	2001883	SUPP.PRESA E INTERRUT.RYL NER.	SUPPORT PRISE INTERRUPTEUR	Support Stecker und Schalter sch	SUPP.PRESA E INTERRUT.RYL NER.
19	17000182	OR 2031 NFDA NBR 70 FDA	RACCORD 90° SORTIE DE POMPE	O-RING 2031 NFDA NBR 70 FDA	OR 2031 NFDA NBR 70 FDA
20	140321961	SUPP.COMPONENTI RYLO NER.	BLACK COMPONENTS SUPPORT RYLO	BLACK COMPONENTS SUPPORT RYLO	SUPP.COMPONENTI RYLO NER.
21	11001054	RAC.90° USCITA POMPA P0049/B N	BLACK COMPONENTS SUPPORT RYLO		RAC.90° USCITA POMPA P0049/B NER
22	17000973	AS.CONN.IEC. PRESA VASCHETTA EU	COMPONENTS SUPP.230V RYL V2 ASSY		AS.CONN.IEC. PRESA VASCHETTA EU
23	263201	AS.SUPP.COMPONENTI V2 RYL 230V			AS.SUPP.COMPONENTI RYLO NER.
24	11034707	AS.SUPP.COMP.V2 RYL 220/60 BRA	BLOWDOWN VALVE MEMBRANE SEAL P00	BLOWDOWN VALVE MEMBRANE SEAL P00	AS.SUPP.COMP.V2 RYL 220/60 BRA
25	263233	GUARNIZ.A MEMBRANA VALV.SCARIC	2POLES CONNECT SENSOR REED DUMP	2POLES CONNECTOR COFFEE PUMP RYL	GUARNIZ.A MEMBRANA VALV.SCARICO
26	11001513	AS.CONN.2P.SENS REED FONDI C/ST	BLACK DRIP TRAY PROTECTION RYL	BLACK DRIP TRAY PROTECTION RYL	AS.CONN.2P.SENS REED FONDI C/ST
27	17800442	PROT.VASCA REC.ACCO.RYL NER.	SREW TCB TORX 10 3X12 PLASTZN-	Torx-Schraube 3X12 ZN-B	PROT.VASCA REC.ACCO.RYL NER.
28	17000185	VITE TCB 3X12 PLASTZN-B	BLOWDOWN VALVE V3 RYL 230V ASSY.	BLOWDOWN VALVE V3 RYL 230V ASSY.	VITE TCB 3X12 PLAST.ZN-B
29	129913902	AS.VALV.SCARICO V3 RYL 230V	BLOWDOWN VALVE V3 RYL 220V-60HZ	ENS ELECTROVANNE V3 230V	AS.VALV.SCARICO V3 RYL 230V
30	11025742	AS.PROT+VALV.SCARICO RYL/H NER	230V/BLK PROT+BLOWDOWN VALVE RYL	230V/BLK PROT+BLOWDOWN VALVE RYL	AS.PROT+VALV.SCARICO RYL/H NER/2
31	11028161				
32	11035973				



Aulika Black EVO

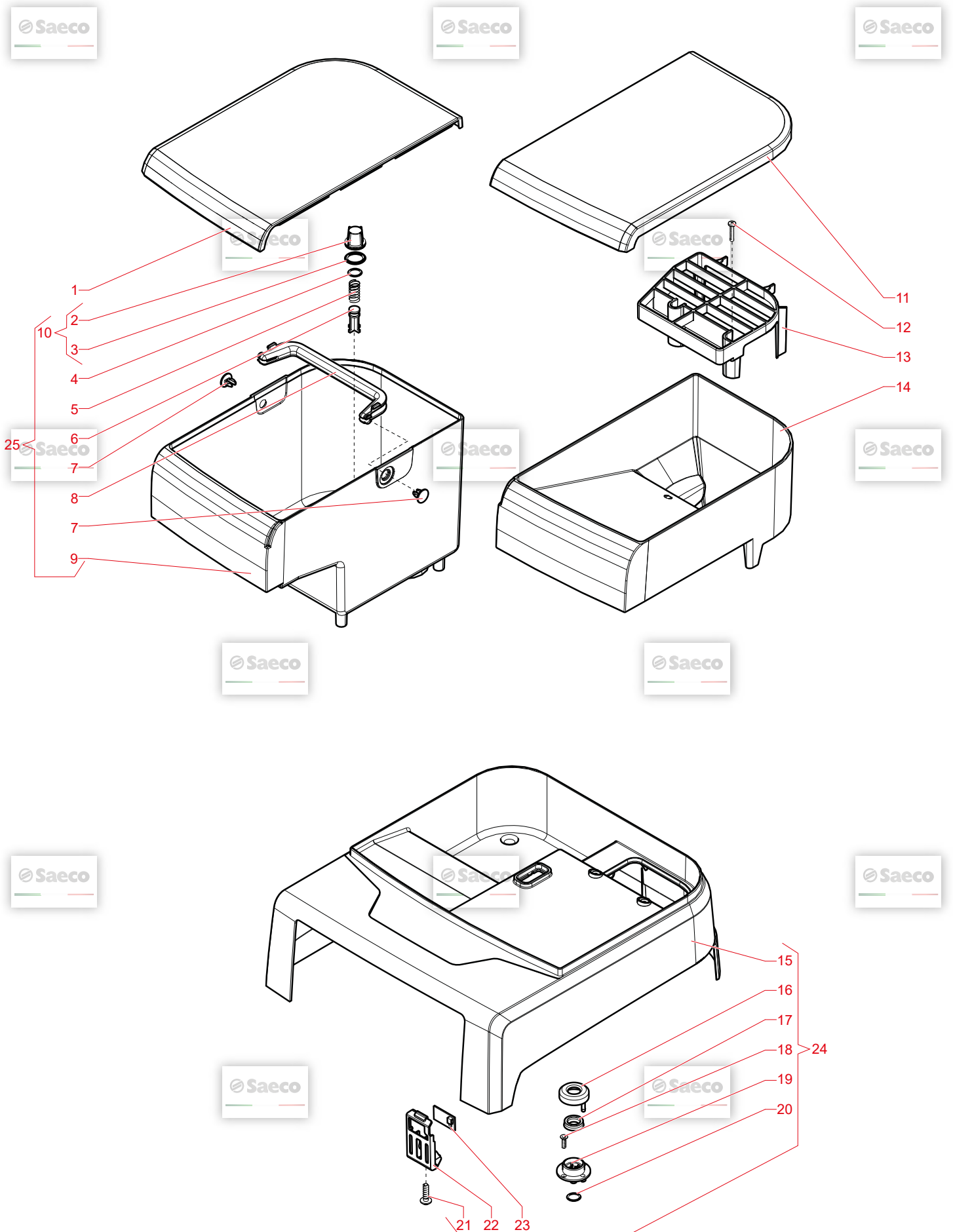
30/10/2019

05

C0263X00

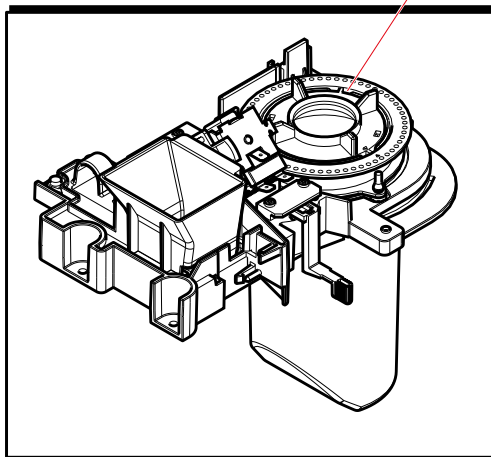
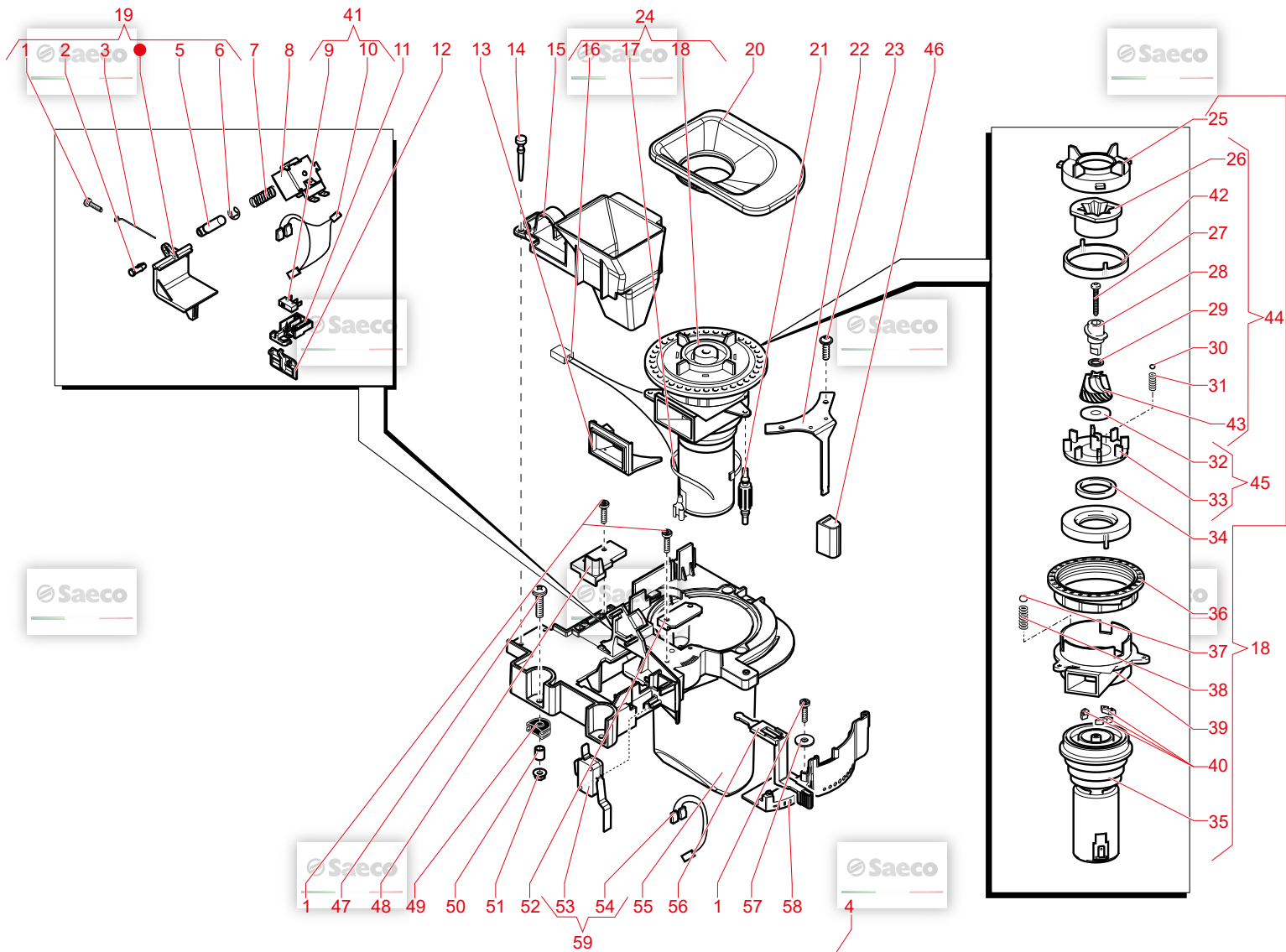
GAGGIO MONTANO

© by Saeco, a company of EVOCA Group





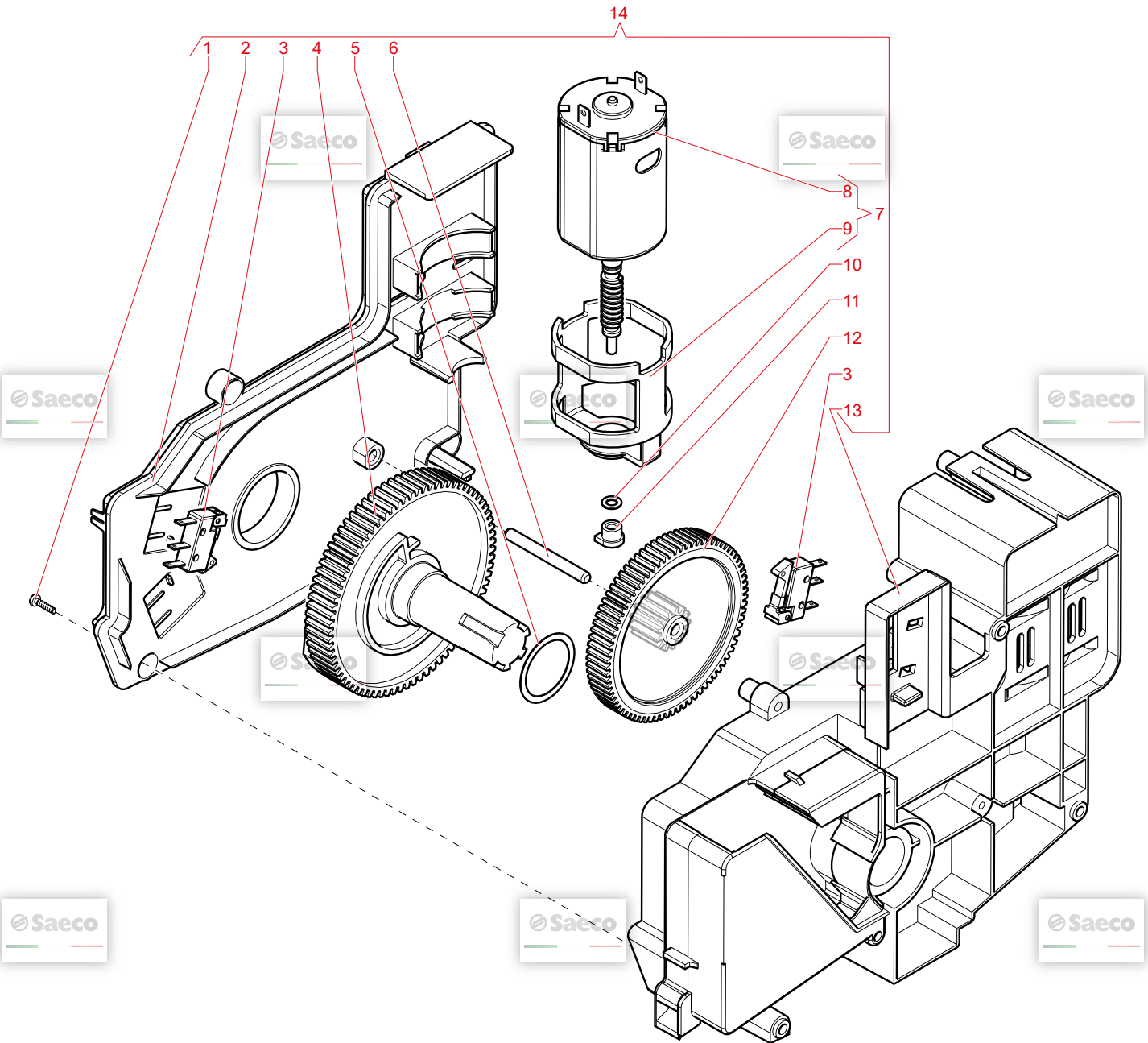
N.POSI COD	I - DESCRIZIONE	UK - DESCRIPTION	F - DESCRIPTION	D - BEZEICHNUNG	E - DESCRIPCION
1	263174	COP.CONT.ACQ.RYL/EF NER.	EXT. WATER NET FILTER D=30MM NOC	EXT. WATER NET FILTER D=30MM NOC	FILTRO EST. ACQ. A RETE D=30MM N
2	11036042	FILTRO EST. ACQ. A RETE D=30MM	OR 2106 SILICONE	JOINT OR 2106 SILICONE	OR 2106 SILICONE
3	NM01.022	OR 2106 SILICONE	OR ORM 0060-30 SILICONE	JOINT DE BAC 0060-30	OR ORM 0060-30 SILICONE
4	140324362	OR ORM 0060-30 SILICONE	SS WATER CONTAINER VALVE SPRING	RESSORT DE VALVE	MOLLA CILINDR. VALV/CONT.ACQ.INOX
5	126764718	PIST.VALV.CONT.ACQ.GRI.	GREY PISTON FOR WATER CONTAINER	PISTON X VALVE BAC EAU	PIST.VALV.CONT.ACQ.GRI.
6	147660562	TAPPO MANIGLIA CONT.ACQ.RYL NE	BLACK PLUG FOR WATER CONTAINER	BOUCHON POIGNEE BAC EAU	TAPPO MANIGLIA CONT.ACQ.RYL. NER.
7	17001255	MANIGLIA CONT.ACQ.RYLO NER.	BLACK HANDLE WATER CONTAINER LID	POIGNEE BAC EAU NOIR	MANIGLIA CONT.ACQ.RYLO NER.
8	11025847	CONT.ACQ.RYL/EF GR/ITRASP.	WHITE WATER CONTAINER LID	WHITE WATER CONTAINER EXT.FILTER	AS.FILTRO EST.CONT.ACQ.BIA.UJ
9	263173	AS.FILTRO EST.CONT.ACQ.BIA.UJ	SCREW TCB TORX 10 3X12 PLAST.SS	VIS TCB 3X12 PLAST.INOX	VITE TCB 3X12 PLAST.INOX
10	11036095	COP.CONT.CAF.RYL/EF NER	TOP COVER BLK RYL/E	CACHE JOINT GRIS	COP.GUARN.GACO DIM 14 VALV.ACQ.G
11	263172	COP.CONT.CAF.RYL/EF NER	GREY WATER VALVE GACO DIM 14 SEA	JOINT GACO	GUARN.GACO DIM14 VALV.CONT.ACQ.N
12	12001431	VITE TCB 3X12 PLAST.INOX	NBR WATER CONT.VALVE GACO DIM14	VIS TSP 3X10 PLAST.INOX	SCREW.TSP TORX 10 3X10 PLAST.SS
13	263175	GRIGLIA PROTEZ.CONT.CAF EVO	SCREW TSP TORX 10 3X10 PLAST.SS	SUPPORT JOINT	CONT.GUARN.GACO DIM 14 VALV.ACQ.
14	263171	CONT.CAF.RYL/EF GR/ITRASP.	GREY WATER VALVE GACO DIM 14 SEA	JOINT DE PIPEPTE 0080-20	OR ORM 0080-20 TERMOIL
15	11036719	COP.CARC. BLK RYL/E	OR ORM 0080-20 TERMOIL	VIS TCBR TORX 10 3.5X12 PLAST.ZN	OR ORM 0080-20 TERMOIL
16	0701.031.150	COP.GUARN.GACO DIM 14 VALV.ACQ	SCREW TCBR TORX 10 3.5X12 PLAST.	SUPPORT DE CAPTEUR DE NIVEAU D'E	VITE TCBR 3.5X12 PLAST.ZN-N
17	145842900	GUARN.GACO DIM14 VALV.CONT.ACQ	BLACK WATER LEVEL SENSOR SUPPORT	PLATINE SENSEUR NIVEAU D'EAU	SUPP.SENS.CAPACTIVO LIVEL.ACQ.R
18	12000895	VITE TSP 3X10 PLAST.INOX	CPU+SW WATER LEVEL SENSOR V3 ASS	TOP COVER RYL/E ASSY	CPU+SW WATER LEVEL SENSOR V3 ASS
19	0701.014.150	CONT.GUARN.GACO DIM 14 VALV.AC	TOP COVER RYL/E ASSY		AS.COP.CARC. RYL/E
20	140320461	OR ORM 0080-20 TERMOIL			AS.COP.ACQ.RYL/E FOCUS
21	12000450	VITE TCBR 3.5X12 PLAST.ZN-N			
22	17001444	SUPP.SENS.CAPACTIVO LIVEL.ACQ			
23	421941306721	AS.CPU+SW SENS.ACQ. V3			
24	11036744	AS.COP.CARC. RYL/E			
25	263211	AS.CONT.ACQ.RYL/E FOCUS			





N.POSI	COD	I - DESCRIZIONE	UK - DESCRIPTION	F - DESCRIPTION	D - BEZEICHNUNG	E - DESCRIPCION	NOTE
1	129913902	VITE TCB 3X12 PLASTZN-B	SCREW TCB TORX 10 3X12 PLASTZN-	VIS TCB 3X12 PLASTZN-B	Torx-Schraube 3x12 ZN-B	VITE TCB 3X12 PLASTZN-B	
2	9161.076.150	PERNO SPORT.DOS.CAF.MAC.GRI.	GREY GROUND COF.DOSER DOOR PIN	AXE PORTIERE DE DOSEUR	Achse Sportboiler Dosierer MA	PERNO SPORT.DOS.CAF.MAC.GRI.	
3	2632.15	ASTA RASATORE DOS.CAF.MAC.ACC.	STEEL GROUND COF.DOSER SCRAPER R	AIGUILLE D'ARASAGE	Feder Dosierklappe MA, VI	ASTA RASATORE DOS.CAF.MAC.ACC.	
4	2632.15	AS.GEN.PIAS.MC.RY.LEVO.230V	STEEL GROUND COF.DOSER ELECTROMA	CONTACT DE BOBINE DOSEUR	Eisenkern 9x40 DosierMagnService	NUCLEO ELETTROM.DOS.CAF.MAC.ACC.	
5	9161.041	ANELLO ELASTICO 7 UNI 7434	SNAP RING 7 UNI 7434	RONDELLE 7 UNI 7434	Sicherungsring ø7 elastisch	ANELLO ELASTICO 7 UNI 7434	
6	126764818	MOLLA X ELETROM.DOS.CAF.GRANI	SPRING ELECTROM.BEAN DOSER MAGIC	RESSORT D'ELECTRO AIMANT DOS.CAF	Feder zu Elektromagnet	MOLLA X ELETROM.DOS.CAF.GRANI MA	
7	11025734	AS.BOBINA DOSATORE SUPERAUTOM.	DOSEUR COIL FOR SUPERAUTOM.24V DC	ESS.BOBINES DOSEUR 24VDC	DOSEUR COIL FOR SUPERAUTOM.24V DC	AS.BOBINA DOSATORE SUPERAUTOM.24	
8	NE05.017	MICROINTERRUTTORE	MICROSWITCH	MICRO CONTACT DE MOUTURE	Mikroschalter Dosierer MA, RO	MICROINTERRUTTORE	
9	421946000541	AS.CONN.4P.BOBINA+MICRO DOSAT.	4P.CONN.COIL+DOSEUR MICRO V2 RYL	CONNECTION 4 POLES MICRO DOSEUR	4P.CONN.COIL+DOSEUR MICRO V2 RYL	4P.CONN.COIL+DOSEUR MICRO V2 RYL	
10	9161.072.150	CURSORE SUPP.MICRO DOS.CAF.MAC	GREY MICRO SUPP.CURSOR GROUND CO	SUPPORT MICRO CONTACT	Halterung Dosiermikro MA	CURSORE SUPP.MICRO DOS.CAF.MAC.G	
11	9161.073.150	BILANCERE CONTROL.DOSE.CAF.MAC	STEEL GRINDING ADJUSTMENT LEVER	PLAQUE CONTR.DOSE CAFE	Schaltplättchen grau	BILANCERE CONTROL.DOSE.CAF.MAC.G	
12	1505.014	GUARNIZIONE DOSATORE	COFFEEGRINDER SEAL	GARNITURE DOSEUR	Dichtung Mühle	GUARNIZIONE DOSATORE	
13	9161.082	AGGANCIIO IN GOMMA	RUBBER COUPLER	FIXATION CAOUTCHOUC	Gummikupplung	AGGANCIIO IN GOMMA	
14	17000176	TRAMOGGIA.DOSE.CAF.MAC.RYL.NER.	BLACK HOPPER FOR POWDER COFFEE R	CONDUIT DOSE CAFE NOIR	BLACK HOPPER FOR POWDER COFFEE R	TRAMOGGIA.DOSE.CAF.MAC.RYL.NER.	
15	2632.02	AS.CON.2POLI.MACINACAFFE'EVO	SELF LOCK STRIP W=2,6 L=200	COLLIER AUTOSERRANT L=200MM	Kabelbinder, l=200mm	FASCIETTA AUTOBLOC.W=2,6 L=200 B	
16	144320200	FASCIETTA AUTOBLOC.W=2,6 L=200	COFFEE GRINDER STD.230V ASSY.	MOULIN CAFE COMPLET 230 V STD.	Mahlwerkmotor, kopt. 230V MA-RO	AS.MACINACAFFE STD 230V	
17	9140.036.00A	AS.SPORT.DOS.CAF.MAC.GRI.	GREY GROUND COF.DOSER DOOR ASSY.	DOSEUR COF.DOSER DOOR ASSY.	GREY GROUND COF.DOSER DOOR ASSY.	AS.SPORT.DOS.CAF.MAC.GRI.	
18	9140.017	COP.INSORORIZAZIONE MC RYL	COFFEE GRINDER SOUNDPROOFING COV	COUVERCLE INSONORISE	Abdeckung/Schalldämpfer V1	COP.INSORORIZAZIONE MC RYL R.	
19	17000238	ANTIVIBRANTE X.MACINACAFFE'	VIBRATION FOR COFFEEGRINDER	SILENT BLOC	Schwingungsdämpfer V1	ANTIVIBRANTE X.MACINACAFFE'	
20	9991.103	LEVA.REGOL.MACIN.ACC.	STEEL GRINDING ADJUSTMENT LEVER	LEVIER DE REGLAGE MEULE	Mahlgradeinstellhebel ROF	LEVA.REGOL.MACIN.ACC.	
21	0333.008	VITE.TCBR.3,5X12.PLASTZN.	SCREW TCB TORX 10 3,5X12 PLAST.	VIS TCB TORX 10 3,5X12 PLASTZN	TORXSCHRAUBE 3,5X12	VITE.TCBR.3,5X12.PLASTZN.N	
22	12000450	AS.MACINACAF. STD RYL/LEVO 230V	BLACK UPPER GRINDER SUPPORT MAGI	SUPPORT MEULE SUPERIEUR	Mahlringaufnahme	SUPPORTO MACINA SUPERIORE MAGIC	
23	2632.14	SUPPORTO MACINA SUPERIORE MAGI	UPPER GRINDER	MEULE SUPERIEUR	Mahlring	MACINA SUPERIORE	
24	149186150	VITE TORX T10 TCB 3.5X40 SX ZNG	TORX SCREW T10 TCB 3.5X40 SX ZNG	VIS TORX T10 TCB 3.5X40 SX ZNG	Torx-Schraube T10 TCB 3.5x40 lin	VITE TORX T10 TCB 3.5X40 SX ZNG	
25	9141.039	PERNO INCREMENTO A VITE MC MAG	BLK INCREASE SCREW PIN COF.GRIND	VIS DE FINESSE	Mahlschnecke MA, RO, VI	PERNO INCREMENTO A VITE MC MAGIC	
26	147470763	ROSETTA PIANA 10X16X0,2DIN 988	PLAIN WASHER 10X16X0,2DIN 988 GA	RONDELLE	Unterflanschscheibe ø10x16x0,2 DIN	ROSETTA PIANA 10X16X0,2DIN 988 Z	
27	U201.002	SFERA D=5,5MM ACCIAIO INOX AISI	STAIL STEEL AISI 304 SPHERE D=5,	SPHERE D 5.5	Kugel ø 5,5mm für Rutschkupplung	SFERA D=5,5MM ACCIAIO INOX AISI	
28	126765517	MOLLA.ACC.X.SFERA.D=5,5.MOTORE	STEEL SPRING SPHERE D=5,5 MOTOR	RESSORT SPHERE D5.5	Feder Rutschkupplung MA, RO, VI	MOLLA.ACC.X.SFERA.D=5,5.MOTORE M	
29	9141.042	ANELLO DI SICUREZZA	SAFETY RING	SAFETY RING	Metalleinsatz zu Support Mahlwer	ANELLO DI SICUREZZA	
30	9141.028	SUPPORTO MACINA INFERIORE MAGI	BLACK LOWER GRINDER SUPPORT MAGI	SUPPORT DE MEULE INF.	Support zum Mahlwerk unten	SUPPORTO MACINA INFERIORE MAGIC	
31	140360200	ANELLO IN FELTRO DE=40 DI=34 H	FELT RING 40X34X5	ANNEAU FEUTRE 40 DI=34 H=5	Filzring	ANELLO IN FELTRO DE=40 DI=34 H=5	
32	0301.R10.00A	MOTORE COMPLETO 230V	SPARE MOTOR UNIT MC 230V	MOTEUR MOUTURE MAGIC NEW	Mahlwerkmotor mit Getriebe 230V	MOTORE COMPLETO 230V	
33	146570950	GHIERA REGOLAZION.MACINATURA M	RING NUT FOR GRINDING ADJUSTMENT	BAGUE DE REGLAGE	Verstellung	GHIERA REGOLAZION.MACINATURA MAG	
34	126610421	SFERA D=3,2MM ACCIAIO INOX AISI	STAIL STEEL AISI 304 SPHERE D=3,	SPHERE INOX D=3mm	Kugel ø 3,2mm Einstellring Mahlg	SFERA D=3,2MM ACCIAIO INOX AISI	
35	126770117	MOLLA NEW X SFERA D=3,2 MOTORE	NEW SPRING SPHERE D=3,2 MOTOR MA	RESSORT DE SPHERE	Feder Einstellring ø 3,2 MA, RO, V	MOLLA NEW X SFERA D=3,2 MOTORE M	
36	9141.080	SUPP.MOTORE MC.NER.	BLACK COFFEE GRINDER MOTOR SUPPO	SUPPORT MOTEUR	Motorhalterung Royal	SUPP.MOTORE MC.NER.	
37	140230400	AMMORTIZ.X.SUPPORTO MACINA CON	SHOCK ABS. CONICAL GRINDER SUPP.	AMORTISSEUR SUPPORT MEULE MAGIC	Mitnehmer Gummi	AMMORTIZ.X.SUPPORTO MACINA CONIC	
38	421946000921	AS.CABL.BOBINA+MICRO DOSAT.V2	COIL.WIRING+DOSEUR MICRO V2 RYL U				
39	142844550	COPERT X MACINA SUPER.MACINACA	UPPER GRINDER COVER COFFEE GRIND	CONICAL GRINDER	Mahlringabdeckung	COPERT X MACINA SUPER.MACINACAF.	
40	9141.040	MACINA CONICA	KIT ITAL MILL GRINDERS	MEULE CONIQUE	Mahlkegel	MACINA CONICA	
41	226477700	SUPPOR.C/ANEL.X.MACINA CONICA	CONICAL GRIND. SUPP. + RING MAGI	KIT MEULE	Mahlkegel + Mahlring MA, RO, VI.	SUPPOR.C/ANEL.X.MACINA CONICA MA	
42	149188750	IMPUGN.LEVA.REGOL.MACIN.ROYAL	BLK GRINDING ADJUST.LEVER HANDGR	POIGNEE PROTECTION VAPEUR	Griffteil Einstellhebel ROF	IMPUGN.LEVA.REGOL.MACIN.ROYAL NE	
43	0333.009	VITE.TCB.TORX.20.M4X16.ZN.B	ZN.B.TCB.TORX.20.M4X16.ZN.B	VIS TCB TORX.20.M4X16.ZN.B	LINSEN BLECHSCHR. MTCB TORX 20 M	VITE.TCB.TORX.20.M4X16.ZN.B	
44	U043.004	COP.FORO.DOSATORE RYL.GRI.	GREY COVER FOR DOSER HOLE RYL	COUVERCLE GRIS DOSEUR	GREY COVER FOR DOSER HOLE RYL	COP.FORO.DOSATORE RYL.GRI.	
45	17001155	GOMMINO X.MACINACAFFE'	RUBBER FOR COFFEE GRINDER	SILENT BLOC CAFE MOULU	Gummihalterung Mahlwerkmotor MA	GOMMINO X.MACINACAFFE'	
46	9991.005	DISTANZIALE X.GOMMINO	SPACER FOR RUBBER	RONDELLE D'ECARTEMENT	Distanzhülse	DISTANZIALE X.GOMMINO	
47	9141.003	DADO.M4.FLANGIATO.BASE.DENTELL	NUT M4 FLANGED INDENTED BASE	ECROU	Sechskantmutter M4 DIN 934	DADO.M4.FLANGIATO.BASE.DENTELLAT	
48	U324.006	PIAST.FISSAG.LEVA.DOS.CAF.MAC.	GREY GROUND COF.DOSER LEVER FIXI	PLAQUE DE FIXATION	Montageplättchen MA	PIAST.FISSAG.LEVA.DOS.CAF.MAC.GR	
49	12001605	MICROINTERRUTTORE	MICROSWITCH	MICRO INTERRUPTEUR	Montageplättchen MA	MICROINTERRUTTORE	
50	421946000501	AS.CONN.2P.MICRO.SPORT.V2.RYL	2P.CONN.DOOR MICRO V2 RYL UL.ASS	PLAQUE SUPPORT MOULIN	Montageplatte Mühle grau Royal	PIAST.MC.MAGIC/ROYAL.GRI.	
51	9161.365.150	PIAST.MC.MAGIC/ROYAL.GRI.	DOSE ADJUSTMENT LEVER DE LUXE GR	LEVIER DE REGLAGE CAFE	Hebel Dosiermenge MA	LEVA X REGOLAZIONE DOSE DE LUXE	
52	9161.077.150	ROSETTA PIANA 3.2X9 DIN 7349 Z	PLAIN WASHER 3.2X9 DIN 7349 GALV	RONDELLE	Scheibe 3.2 DIN 7349 verz.	ROSETTA PIANA 3.2X9 DIN 7349 ZNP	
53	U201.001	SCALA.REGOL.DOSE.E.MACIN.CAF.R	GRY COFF.GRINDING/DOSE ADJUST.SC	GRADUATION REGLAGE DOSE CAFE		SCALA.REGOL.DOSE.E.MACIN.CAF.RYL	
54	110000832	AS.MICRO.SPORT.RYL.UL.NVG	MICRO.DOOR RYL UL.NVG ASSY				





N.POSI COD	I - DESCRIZIONE	UK - DESCRIPTION	F - DESCRIPTION	D - BEZEICHNUNG	E - DESCRIPCION
1	129670202	TCB PANELVIT SCREW 3.5X16 TESTA	VIS TCB 3.5X16 TESTA D=8 ZNP	Blechschraube ST 3.5X16-Z1-C ver	VITE PANELVIT TCB 3.5X16 TESTA D
2	17000719	GREY RATIONMOTOR LID RYL	MILARD POUR MOTOREDUCTEUR	Deckel Getriebegehäuse grau	COP.MOTORID.RYL GRI.
3	NE05.038	MICROSWITCH 30V 0.3A	MICRO INTERRUPTEUR	MIKROSCHALTER	MICROINTERRUTTORE 30V 0.3A
4	11007137	BLACK GEAR Z=77 V/2 FOR RATIONMOTO	ENGRENAGE Z=77 MOTORID.V2 P124 N	Zahnrad Z=77 V2 P124 schwarz	INGR.Z=77 MOTORID.V2 P124 NER.
5	9161.368	MYLAR WASHER FOR RATIONMOTOR	RONDELLE MOTOREDUCTEUR	UNTERLEGSCHLEIBER GETRIEBEMOTOR	RONDELLA MYLAR X MOTORIDUTTORE
6	9121.039	STEEL PIN FOR RATIONMOTOR GEAR MA	STEEL PIN FOR RATIONMOTOR GEAR MA	STEEL PIN FOR RATIONMOTOR GEAR MA	PERNO INGR.MOTORID.MAGIC ACC.
7	11005214	MOTOR FOR RATIONMOTOR ASSY	MOTEUR AVEC CONDENSATEUR	MOTOR GETRIEBE	AS.MOTORE MOTORIDUTTORE
8	11003037	MOTOR FOR RATIONMOTOR ASSY	MOTEUR REDUCTEUR + CONDENSATEUR	GServiceitemotor.V2 Talea, Ode	AS.MOTORE MOTORID.C/COND.
9	9121.044	ANTIVIBRATION FOR MOTOR	AMORTISSEUR MOTEUR	VIBRATIONSDAEMPFER	ANTIVIBRANTE X MOTORE
10	148380200	BAKELIZATE WASHER D=5.5	RONDELLE D=5.5	DISTANZSCHEIBE BAKELIT	RONDELLA D=5.5 IN TELA BAKELIZZA
11	9121.046	BRONZE SINTERED BUSH FOR MOTOR R	JOINT DE MOTEUR	SINTERBUSCHSE	BOCC.SINTERIZ.MOTORE MOTORID.BRO
12	146002800	GREY GEAR Z=13/90 FOR RATIONMOTOR	ENGRENAGE Z=13/90 MOTOREDUCTEUR	Zahnrad Z=13/90 grau P124	INGR.Z=13/90 MOTORID.P124 GRI.
13	11026258	GREY RATIONMOTOR CASING WITH TUBE	CARCASSE MOTOREDUCTEUR AVEC CANA	GEHÄUSE GETRIEBE GRAU	AS.CARC.MOTORID.C/CANALINO RYL G
14	263213				



Aulika Black EVO

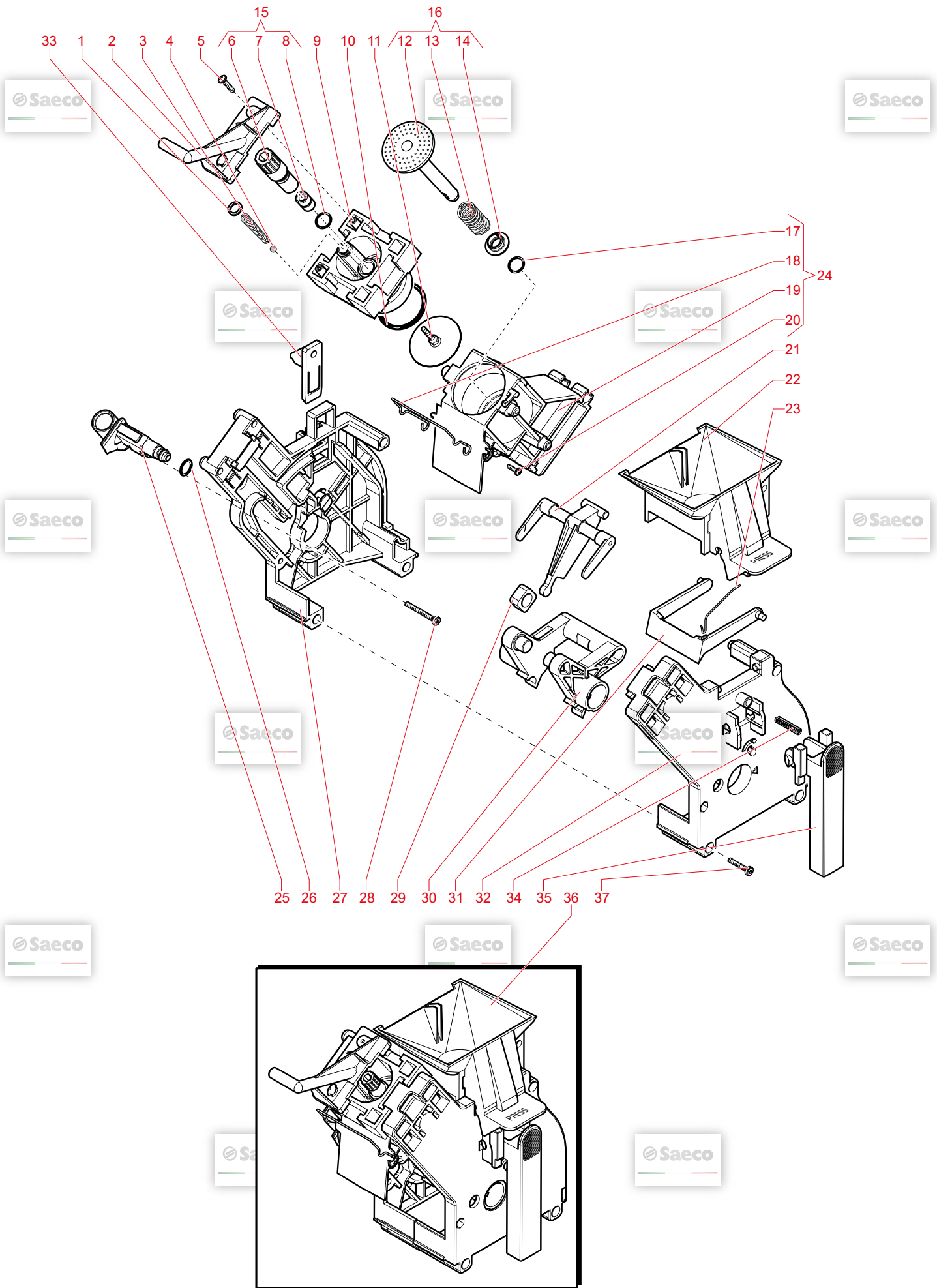
30/10/2019

08

C0263X00

GAGGIO MONTANO

© by Saeco, a company of EVOCA Group



N.POSI COD	I - DESCRIZIONE	UK - DESCRIPTION	F - DESCRIPTION	D - BEZEICHNUNG	E - DESCRIPCION
1	11021334 GUARN.DE=11 DI=8 SP=1,4 X CONT	BLK COUNTERPISTON SEAL DE=11 DI=	GARNITURE CONTRE PISTON	Dichtung DE=11 DI=8 SP=1,4 zu Ko	GUARN.DE=11 DI=8 SP=1,4 X CONTRO
2	11003789 MANICOT.USCITA CAF.GRUP.ROYAL	BLACK COFF OUTLET SLEEVE BREW UN	RACCORD SORTIE CAFE ROYAL	Kaffeauslaßrohr Brühgruppe ROD	MANICOT.USCITA CAF.GRUP.ROYAL NE
3	9161.222 MOLLA CONICA INOX	SS CONICAL SPRING	RESSORT CONIQUE	FEDER ZU CREMAVENTIL	MOLLA CONICA INOX
4	421944034451 SFERAD.5 MM IN BORO. SILICATO	BOROSILICATE SPHERE D.5 MM	SPHERE D.5 MM	BOROSILICATE SPHERE D.5 MM	BOROSILICATE SPHERE D.5 MM
5	120021750 VITE TCB 3X16 TORX 10 PLAST.IN	SCREW TCB TORX 10 3X16 PLAST SS	SCREW TCB TORX 10 3X16 PLAST SS	SCREW TCB TORX 10 3X16 PLAST SS	VITE TCB 3X16 TORX 10 PLAST.INOX
6	147472850 PERINO X DOCCIA NERO	PIN BLACK FOR PERCOLATOR			
7	NF11.067 INS.PERNO BLOCCAG.DOCCIA OT.	BRASS INSERT FOR PERCOLATOR LOCK			
8	140324461 OR ORM 0060-20 TERMOIL	OR ORM 0060-20 TERMOIL	JOINT ORM 0060-20	O- RING 0060-20	OR ORM 0060-20 TERMOIL
9	11003796 CONTROPIST.GRUP.M5000 NER.	BLACK BREW UNIT COUNTERPISTON M5	CONTREPISTON GROUPE CAFE	Anpresskolben Brühgruppe schwarz	CONTROPIST.GRUP.M5000 NER.
10	NM01.044 OR ORM 0320-40 SILICONE PTFE/FDA	OR ORM 0320-40 SILICONE PTFE/FDA	JOINT OR 0320-40 SILICONE	O-RING ORM 0320-40	OR ORM 0320-40 SILICONE PTFE/FDA
11	9161.075 AS.DOCCIA DE=35.8 ELFO C/VITE	PERCOLATOR DE=35.8 ELFO ASSY.	GRILLE D 35.8	Sieb (geätzt) kpl. mit Stift	AS.DOCCIA DE=35.8 ELFO C/VITE E
12	11003077 AS.PIST.INTEGR.GRUP.8GR.NER.	BLK BREW UNIT INTEGRAL PISTON 8G	PISTON GROUPE CAFE P124 8GR	BRÜHKOLBEN UNTEN	AS.PIST.INTEGR.GRUP.8GR.NER.
13	9161.198 MOLLA PIST.GRUP.8GR.INOX	SS 8GR BREW UNIT PISTON SPRING	RESSORT DU PISTON	FEDER ZU KOLBEN	MOLLA PIST.GRUP.8GR.INOX
14	9161.191 BOC.PIST.GRUP.8GR.-12GR.BIA.	WHITE 8GR-12GR BREW UNIT PISTON	RONDELLE DE BLOCAGE DU PISTON	ARRETIERHÜLSE	BOC.PIST.GRUP.8GR.-12GR.BIA.
15	227470150 AS.PERNO X DOCCIA COMPLETEO NER	PIN BLACK ASS FOR PERCOLATOR	AXE DE GRILLE	Siebhalterung schwarz Brühgruppe	AS.PERNO X DOCCIA COMPLETEO NER
16	11036010 AS.GEN.PISTONE INTEGR.GRUP.CAF	BRW 8GR BREW UNIT NTEGR.PISTON G	PISTON GROUPE CAFE 8GR	BRW 8GR BREW UNIT NTEGR PISTON G	AS.GEN.PISTONE INTEGR.GRUP.CAF 8
17	NM02.018 OR ORM 0090-25 TERMOIL	OR ORM 0090-25 TERMOIL	JOINT ORM 0090-25 EPDM	O-Ring ORM 0090-25 EPDM	OR ORM 0090-25 TERMOIL
18	11001556 MOLLA RASAT.H=49 GRUP.CAF.SMAR	SS BREW UNIT SPRING H=49 SMART	RESSORT RACLEUR	EINRASFEDER H=49 BG	MOLLA RASAT.H=49 GRUP.CAF.SMART
19	4219444014611 AS.CONT.CAF.C/BOC.SALD.GRUP.V2	BLK COF.CONTAIN.BREW UNIT V2 M500	CHAMBRE GROUPE CAFE NOIR V2 M500	BLK COF.CONTAIN.BREW UNIT V2 M500	BLK COF.CONTAIN.BREW UNIT V2 M500
20	129912521 VITE TCBR 3.5X14 PLAST.INOX	SCREW TCBR TORX 10 3.5X14 PLAST.	VIS TCBR TORX 10 3.5X14 PLAST.SS	SCHRAUBE 3.4X14	VITE TCBR 3.5X14 PLAST.INOX
21	11003078 BIELLA GRUP.8GR.NER.	BLACK CONNECTING ROD BREW UNIT 8	BIELLE NOIRE	PLEUEL	BIELLA GRUP.8GR.NER.
22	11003795 TRAMOG.GRUP.M5000 NER.SER.PRES	TRAMOG GRUP M5000 NER SER PRES	ENTONNOIR GROUPE CAFE M5000	Trichter Brühgruppe schwarz MA	TRAMOG.GRUP.M5000 NER.SER.PRESS
23	9161.046 MOLLA RASATORE GRUP.INOX	SS SCRAPER SPRING FOR BREW UNIT	RESSORT D'ARRASAGE	DRUCKFEDER	MOLLA RASATORE GRUP.INOX
24	11004570 AS.CONT.CAF.GRUP.8G.P124 NER.	BLACK BREW UNIT COFFEE CONT.P124	PIPETTE ENTREE D'EAU	BOHNEBEHALTER KPLT.SCHWARZ 8 GR	AS.CONT.CAF.GRUP.8G.P124 NER.
25	9161.064.050 MANICOT.ENTRATA ACQ.GRUP.ROYAL	BLACK WATER INLET SLEEVE BREW UN	JOINT 2025 TERMOIL	WASSEREINLAUFSTUTZEN BG	MANICOT.ENTRATA ACQ.GRUP.ROYAL N
26	NM02.007 OR 2025 TERMOIL	OR 2025 IN TERMOIL	JOINT 2025 TERMOIL	O-RING 2025 EPDM	OR 2025 TERMOIL
27	421941158532 PIAS.POS.V2 GRUP.M5000 NER.	BLACK BREW UNIT REAR PLATE V2 M5	PLAQUE ARRIERE GROUPE CAFE	BLACK BREW UNIT REAR PLATE V2 M5	BLACK BREW UNIT REAR PLATE V2 M5
28	12000550 VITE TCB 3X25 PLAST.INOX	SCREW TCB TORX 10 3X25 PLAST.SS	VIS TCB TORX 3x25 Plast.Ss	TORXSCHRAUBE 3X25	SCREW TCB TORX 10 3X25 PLAST.SS
29	9161.094.050 BLOC.FORATO GRUP.PANNER.	BLACK BREW UNIT DRILLED BLOCK	ENTRETOISE NOIRE	Gleitstück Brühgruppe schwarz	BLOC.FORATO GRUP.PANNER.
30	9161.066.050 ALBERO A GOMITO GRUP.M5000 NER	BLACK BREW UNIT ELBOW SHAFT M500	ARBRE DU GROUPE	KURBELWELLE	ALBERO A GOMITO GRUP.M5000 NER.
31	11004161 RASATORE GRUP.M5000 NER.	BLACK SCRAPER FOR BREW UNIT M500	RACLEUR GROUPE	ABSTREIFER	RASATORE GRUP.M5000 NER.
32	11003793 PIAS.ANT.GRUP.M5000 NER.	BLACK BREW UNIT FRONT PLATE M500	PLAQUE ANT. GROUPE M5000 NOIR	Seitenteil Brühgruppe rechts MA	PIAS.ANT.GRUP.M5000 NER.
33	11004114 PIAS.AGGANC.GRUP.NER.	BLACK BREW UNIT COUPLING PLATE	PLAQUE FIXATION DU GROUPE	Verschluß Brühgruppe schwarz MA	PIAS.AGGANC.GRUP.NER.
34	9161.045 MOLLA IMPUGNAT.GRUP.M5000	SS BREW UNIT HANDGRIP SPRING M50	RESSORT POIGNEE DE GROUPE	Feder Brühgruppenentriegelung MA	MOLLA IMPUGNAT.GRUP.M5000
35	11003791 IMPUGN.GRUP.M5000 NER.	BLACK BREW UNIT HANDGRIP M5000	POIGNEE DU GROUPE	Hebel Brühgruppenentriegelung sc	IMPUGN.GRUP.M5000 NER.
36	11003800 GRUPPO CAFE' NERO	BLACK BREW UNIT	GROUPE CAFE	BRÜHGRUPPE KPLT.	GRUPPO CAFE' NERO
37	12000897 VITE TCB TORX 3.5X20 PLAST.INO	SCREW TCB TORX 10 3.5X20 PLAST.S	VIS TCB TORX 10 3.5x20 Plast.Ss	TORXSCHRAUBE3.5X 20	SCREW TCB TORX 10 3.5X20 PLAST.S





Il Costruttore si riserva il diritto di modificare, senza preavviso, le caratteristiche delle apparecchiature presentate in questa pubblicazione; declina inoltre ogni responsabilità per le eventuali inesattezze imputabili ad errori di stampa e/o trascrizione contenute nella stessa.

Le istruzioni, i disegni, le tabelle e le informazioni in genere contenute nel presente fascicolo sono di natura riservata e non possono essere riprodotte ne completamente ne parzialmente od essere comunicate a terzi senza l'autorizzazione scritta del Costruttore che ne ha la proprietà esclusiva.

The manufacturer reserves the right to modify, without prior notice, the characteristics of the equipment described in this publication; and further declines to accept any responsibility for any inaccuracies contained in this publication which can be ascribed to printing and/or transcription errors.

All instructions, drawings, tables and information contained in this publication are confidential and can neither be reproduced, completely or in part, nor be transmitted to third parties without the written permit of the Manufacturer, who has the sole ownership.

Le fabricant se réserve le droit de modifier, sans préavis, les caractéristiques des appareils présentes dans cette publication; en outre, elle decline toute responsabilité pour d'éventuelles inexactitudes imputables à des erreurs d'impression et/ou de transcription.

Tous droits de reproduction, complète ou partielle, des instructions, des dessins, des tableaux et de toutes les informations contenues dans cette publication sont réservés. Aucune communication à un tiers ne peut être faite sans une autorisation par écrit du Constructeur qui en a la propriété exclusive.

Der Hersteller behält sich das Recht vor, die Eigenschaften der hier beschriebenen Geräte ohne Voranzeige zu ändern und lehnt gleichzeitig jede Verantwortung für mögliche Unrichtigkeiten ab, die auf Druckfehler oder Abschreibfehler zurückzuführen sind.

Alle Anweisungen, Zeichnungen, Tabellen und Informationen, die im allgemeinen im vorliegenden Band enthalten sind, müssen als vertraulich betrachtet werden und können weder teilweise noch vollständig reproduziert bzw an Dritte ohne die schriftliche Ermächtigung des Herstellers weitergegeben werden, der das Alleineigentum besitzt.

El Constructor se reserva el derecho de modificar, sin previo aviso, las características de los aparatos presentados en esta publicación; además declina toda responsabilidad por los eventuales inexactitudes imputables a errores de imprenta y/o transcripción contenidos en la misma.

Las introducciones, los dibujos, las tablas y las informaciones en general contenidos en este fascículo son de tipo reservado y no se pueden reproducir, completamente o en parte, ni comunicar a terceros si la autorización escrita del Fabricante, el cual tiene la propiedad exclusiva.



