

SAECO Phedra EVO

240V - 50Hz
230V - 50Hz
230-240V - 50Hz
220V - 60Hz
120V - 60Hz
100V - 50-60Hz

IT Italiano
EN English
FR Français
DE Deutsch
ES Español



(IT)

(EN)

(FR)

(DE)

(ES)

SOMMARIO

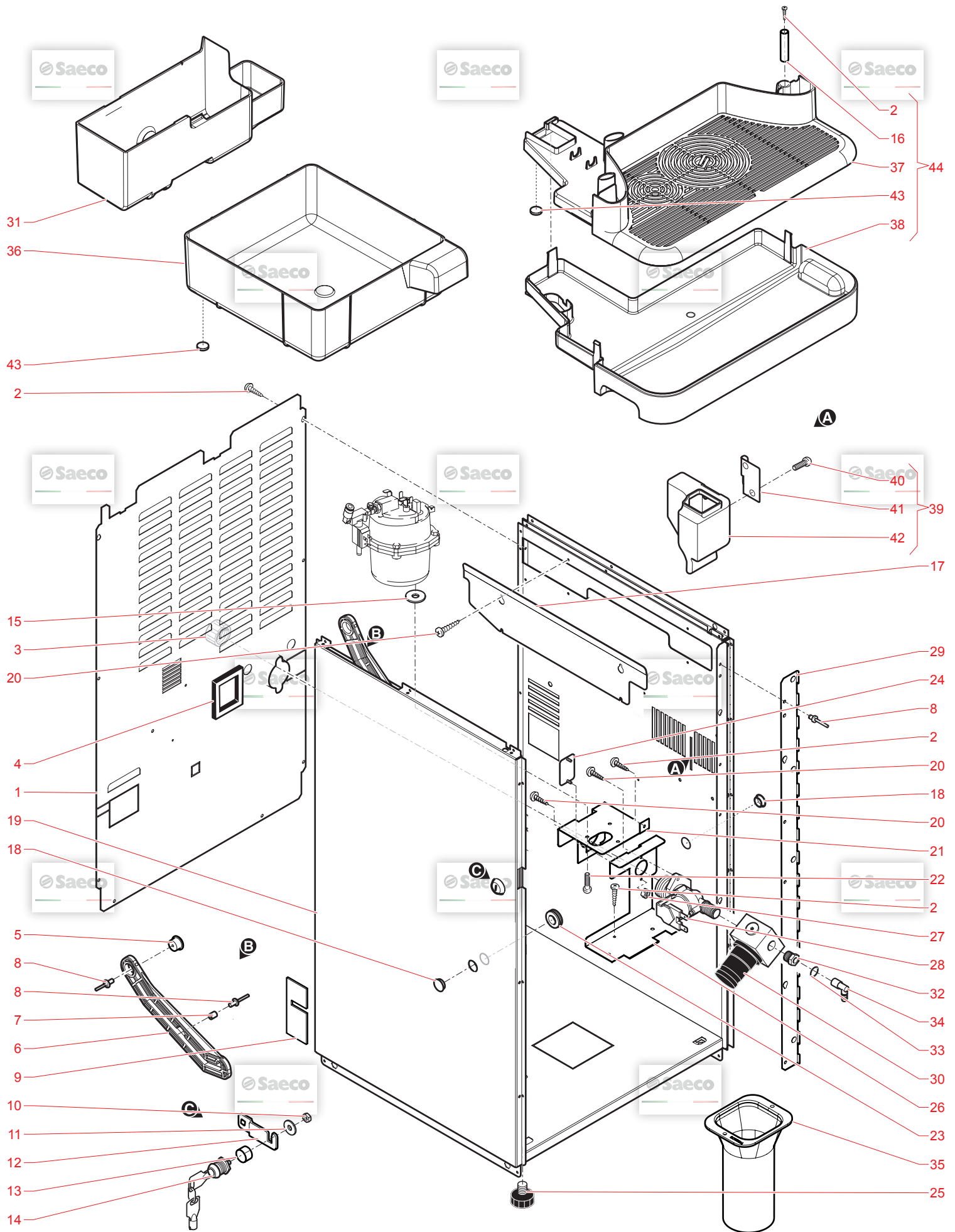
INDEX

INDEX

VERZEICHNIS

INDICE

Tav. 01	Mobile	Unit	Meuble	Unterschrank	Mueble
Tav. 02	Mobile struttura interna	Inner structure unit	Meuble structure interne	Unterschrank interne Struktur	Mueble estructura interna
Tav. 03	Porta	Door	Porte	Tür	Puerta
Tav. 04	Circuito idraulico	Hydraulic circuit	Circuit hydraulique	Hydraulischer Kreislauf	Circuito hidráulico
Tav. 05	Contenitori	Containers	Réipients	Behälter	Contenedores
Tav. 06	Gruppo mixer	Mixer group	Groupe mixeur	Mixergruppe	Grupo mezclador
Tav. 07	Caldaia e macinacaffè	Heater and coffee grinder	Chaudière et moulin à café	Kessel- und Kaffeemühle	Calderas y molinillo café
Tav. 08	Non presente	Not present	Non présent	Nicht vorhanden	No presente
Tav. 09	Componenti elettrici	Electrical parts	Composants électriques	Elektrische Komponenten	Componentes eléctricos
Tav. 10	Gruppo caffè 7 grammi	7-gram coffee group	Groupe café 7 grammes	Kaffeegruppe 7 Gramm	Grupo café 7 gramos
Tav. 11	Gruppo caffè 7 grammi WT	7-gram coffee group WT	Groupe café 7 grammes WT	Kaffeegruppe 7 Gramm WT	Grupo café 7 gramos WT
Tav. 12	Gruppo caffè 9 grammi	9-gram coffee group	Groupe café 9 grammes	Kaffeegruppe 9 Gramm	Grupo café 9 gramos
Tav. 13	Gruppo caffè T.T.T. 10 grammi	Coffee group T.T.T. 10 grams	Groupe café T.T.T. 10 grammes	Kaffeegruppe T.T.T. 10 Gramm	Grupo café T.T.T. 10 gramos
Tav. 14	Caldaia solo cappuccino	Heater of cappuccino only	Chaudière uniquement pour cappuccino	Kessel nur Cappuccino	Caldera solo capuchino



N.POSI	COD	I - DESCRIZIONE	UK - DESCRIPTION	F - DESCRIPTION	D - BEZEICHNUNG	E - DESCRIPCION	NOTE
1	11033288	PANNELLO POSTERIORE PHEDRANEW	PHEDRA REAR PANEL	PANNEAU ARRIERE	RÜCKWAND	PANNELLO POSTERIORE PHEDRANEW	
2	U116.002	VITE AUT.PIT TCB 3.5X12 WN 1441 Z	SCREW AUT.PIT TCB 3.5X12 WN 1441	BOUCHON 3/4 KAPSTO 800R 3/4	Linsen-Schraube 3.5x12 WN1441ZNP	VITE AUT.PIT TCB 3.5X12 WN 1441 Z	
3	NV03.002	"TAPPO 3/4 "KAPSTO 800R 3/4"	"CAP 3/4 "KAPSTO 800R 3/4"	JOINT ADHESIF POUR AERATION	ABDECKUNG 3/4"	"TAPPO 3/4 "KAPSTO 800R 3/4"	
4	9111.088	GUARNIZIONE ADESIVA X ASPIRATORE	ADHESIVE SEAL FOR ASPIRATOR	BUSH LEVER ROOF	Dichtung Ansaugstutzen selbstkl.	GUARNIZIONE ADESIVA X ASPIRATORE	
5	11033447	BOCCOLA LEVA TETTO	BUSH LEVER ROOF	BUSH LEVER ROOF	BUSH LEVER ROOF	BOCCOLA LEVA TETTO	
6	11033773	STAFFA SPORTELLO SUPERIORE PHEDR	DOOR STIRRUP UPPER 5P07	LEVIER DE PORTE	OBEBER TÜRBÜGEL	STAFFA SPORTELLO SUPERIORE PHEDR	
7	11009319	BOCCOLA X STAFFA SPORTELLO SUPER	BUSH FOR BRACKET UPPER DOOR	ENTRETOISE	DISTANZHÜLSE	BOCCOLA X STAFFA SPORTELLO SUPER	
8	NFT1.022	RIVETTO ESPANS. D=2,8X8 ALU/FE NE	EXPANSION RIVET D=2.8X8 ALU/BLA	RIVET ESPANS. D=2.8X8 ALU/FE NOIR	Höhlrinne d=2,8x8 schwarz, alu	RIVETTO ESPANS. D=2,8X8 ALU/FE NE	
9	11013519	DISTANZIALE X PANNELLI LATERALI	SPACE FOR PANEL PHEDRA	ENTRETOISE PANNEAU PHEDRA	Abstandhalter Seitenteile Phedra	DADO ESAGONALE M6 UNI 5588 ZNP	
10	U208.006	DADO ESAGONALE M6 UNI 5588 ZNP	nut HEXAGONAL M6 UNI 5588	ECROU M6 UNI 5588 ZNP	Sechskantmutter M6 DIN 934 verz.	ROSETTA DENT. 6.4X11 UNI 3703 BR	
11	U208.006	ROSETTA DENT. 6.4X11 UNI 3703 BR	TOOTHED WASHER 6.4X11 UNI 3703	RONDELLE 6.4X11	Zahnscheibe ø6.4x11	SCARPETTA PER SERRATURA	
12	1813.105	SCARPETTA PER SERRATURA	LEVER FOR LOCK	LEVIER DE SERRURE	Schloßnegel SG200	DISTANZIALE SERRATURA	
13	1813.126	DISTANZIALE SERRATURA	SPACER	ENTRETOISE	Isolierscheibe	SERRAT. MERONI 3351B21 X DISTRIB	
14	NV02.249	SERRAT. MERONI 3351B21 X DISTRIB.	LOCK MERONI 3351B21 X DISTRIB.	SERRURE MERONI 3351B21	Schloß + SCHLÜSSEL MERONI	FERMO ESTRAZIONE VASCA	
15	9111.501	FERMO ESTRAZIONE VASCA	INSULATION WASHER	RONDELLE ISOLANTE	Isolierscheibe	CARTER X CABLAGGI PHEDRA EVO	
16	11033561	CARTER X CABLAGGI PHEDRA EVO	STOP EXTRACTION TANK	STOP EXTRACTION TANK	STOP EXTRACTION TANK	TAPPO BLK F. 15.9-SP Max 1.6 Fast	
17	11033442	TAPPO BLK F. 15.9-SP Max 1.6 Fast	CARTER FOR HARNESS PHEDRA EVO	BOUCHON BLK F. 15.9-SP Max 1.6	Abdeckung BLK F. 15.9-SP Max 1.6	ASS. TELAIO FORO DX-SX PHEDRA EVO	
18	12001971	ASS. TELAIO FORO DX-SX PHEDRA EVO	FRAME PHEDRA EVO	FRAME PHEDRA EVO	FRAME PHEDRA EVO	VITE AUT. TMTPH2 3.5X9.5 F ZNP 1	
19	11035371	VITE AUT. TMTPH2 3.5X9.5 F ZNP 1	screw TMTPH2 3.5X9.5 F ZNP ISO47	VIS TMTPH2 3.5X9.5 F ZNP ISO4759	Schraube TMTPH2 3.5X9.5 F ZNP IS	PIASTRA SUPP.CALDAIA PHEDRANEW	
20	12002160	PIASTRA SUPP.CALDAIA PHEDRANEW	PHEDRA BOILERS SUPPORT PLATE	PLAQUE SUPPORT CHAUD.PHEDRA	PHEDRA BOILERS SUPPORT PLATE	PASSAFILO D.11X20.5XH.7	
21	11033289	VITE TE M5.0X10 C/IRONDELLA	screw TE M5.0X10 WITH WASHER	VIS TE M5X10	Kabeiführung d=11x20,5 h=7	ASS. PIASTRINO CHIUSURA RETE IDRI	
22	U046.005	PASSAFILO D.11X20.5XH.7	GROMMET D.11X20.5XH.7	PASSAGE DE CABLE D.11X20.5XH.7	Schraube M 5x10 mit Unterlagsche	PIEDINO D.22 H.18 M6	
23	NE16.002	ASS. PIASTRINO CHIUSURA RETE IDRI	CLOSURE PLATE WATER SUPPLY	CLOSURE PLATE WATER SUPPLY	CLOSURE PLATE WATER SUPPLY	PIASTRA SUPPPOMPA	
24	11034232	PIEDINO D.22 H.18 M6	FOOT D.22 H.18 M6	PIED D.22 H.18 M6	Gerätefuß SG200	DADO M4 FLANGIATO BASE DENTELLAT	
25	NV01.015	PIASTRA SUPPPOMPA	PUMP SUPPORT PLATE	PUMP SUPPORT PLATE	PUMP SUPPORT PLATE	ELETTROVALV1 VIA INGRESSO NON R	
26	11033602	DADO M4 FLANGIATO BASE DENTELLAT	NUT M4 FLANGED INDENTED BASE	ECROU	Sechskantmutter M4 DIN 934	CERNIERA PORTA PHEDRA EVO	
27	U324.006	ELETTROVALV1 VIA INGRESSO NON R	SOLENOID VALVE	ELECTROVANNE ENTREE	Einlassventil	RID.PRESS.1BAR 1/4 MRABIT 520800	
28	11008834	CERNIERA PORTA PHEDRA EVO BLK	HINGE FOR DOOR	HINGE FOR DOOR	HINGE FOR DOOR	CASSETTO FONDI SUPERIORE	
29	11033431	RID.PRESS.1BAR 1/4 MRABIT 520800	PRESS. REDUCER .1BAR 1/4 MRABIT	DETENTEUR 1 BAR 1/4	Ventil Druckreduzierung P7	"RIDUZIONE MF 1/4"X1/8" TEA"	
30	NV99.007	CASSETTO FONDI SUPERIORE	DRAWER TRUST	BAC A MARC NOIR	Satzbehälter	OR 2031 TERMOIL	
31	11033809	"RIDUZIONE MF 1/4"X1/8" TEA"	"REDUCTION MF 1/4"X1/8" TEA"	"REDUCTION MF 1/4"X1/8" TEA;REDUC"	"REDUZIERRACCORD MF 1/4" X 1/8"	RAC.90° USCITA POMPA P0049/B NER	
32	9181.404	OR 2031 TERMOIL	O-RING 2031 TERMOIL	JOINT 2031	O-Ring 2031 EPDM	CONVOGLIATORE FONDI RIALZO PHEDR	
33	140321961	RAC.90° USCITA POMPA P0049/B NER	BLK PUMP OUTLET 90°CONNECTOR P00	RACCORD 90° SORTIE DE POMPE	Raccord 90° zu Pumpe	CASSETTO FONDI PHEDRA EVO	
34	11001054	CONVOGLIATORE FONDI RIALZO PHEDR	COFFEE CONVEY	CONVOYEUR MARC	Rutsche Kaffeersatz	GRIGLIA VASCA RACCOGLI GOCCIE	
35	11032178	CASSETTO FONDI PHEDRA EVO	DUMP BOX PHEDRA EVO	DUMP BOX PHEDRA EVO	DUMP BOX PHEDRA EVO	VASCA RACCOGLI GOCCIE PHEDRA EVO	
36	11033365	GRIGLIA VASCA RACCOGLI GOCCIE	GRILL WATER RECOVER BOX	GRILLE	GRILL WATER RECOVER BOX	VASCA RACCOGLI GOCCIE PHEDRA EVO	
37	11033368	VASCA RACCOGLI GOCCIE PHEDRA EVO	GRILL WATER RECOVER BOX CSA BLK	GRILLE	GRILL WATER RECOVER BOX	ASS. VASCA RACCOGLI GOCCIE PHEDRA E	
38	11034997	ASS. VASCA RACCOGLI GOCCIE PHEDRA EVO	WATER RECOVER BOX	BAC DE RECUPERATION	WATER RECOVER BOX	PIEDINO D.22 H.18 M6	
39	11033367	PIEDINO D.22 H.18 M6	WATER RECOVER BOX CSA BLK	WATER RECOVER BOX CSA BLK	WATER RECOVER BOX CSA BLK	ASS. PIASTRINO CHIUSURA RETE IDRI	
40	11034996	ASS. PIASTRINO CHIUSURA RETE IDRI	WATER RECOVER BOX CSA BLK	CAISSE A MONNAIE	COIN CASE PHEDRA	PIASTRA X CASSA MONNETE PHEDRA	
41	11013321	PIASTRA X CASSA MONNETE PHEDRA	COIN CASE PHEDRA	CAISSE A MONNAIE	COIN CASE PHEDRA	SCATOLA MONNETE 5P07	
42	U044.018	SCATOLA MONNETE 5P07	screw TSPC M5.0X8 UNI 7688 GALV.	PLATE FOR COIN BOX PHEDRA	PLATE FOR COIN BOX PHEDRA	MAGNETE D.9.5X2 2000 GAUSS	
43	9991.189	MAGNETE D.9.5X2 2000 GAUSS	COIN CASE 5P07	CAISSE A MONNAIE 5P07	COIN CASE 5P07	ASS. VASCA RACCOGLI GOCCIE PHEDRA E	
44	11035039	ASS. VASCA RACCOGLI GOCCIE PHEDRA E	DRIPI TRAY PHEDRA EVO	BAC DE RECUPERATION PHEDRA EVO	Magnet ø9.5x2 2000 MOL-RE	ASS. VASCA RACCOGLI GOCCIE PHEDRA E	
44	11035039	ASS. VASCA RACCOGLI GOCCIE PHEDRA E	DRIPI TRAY PHEDRA EVO CSA	DRIPI TRAY PHEDRA EVO CSA	DRIPI TRAY PHEDRA EVO CSA		



Phedra EVO

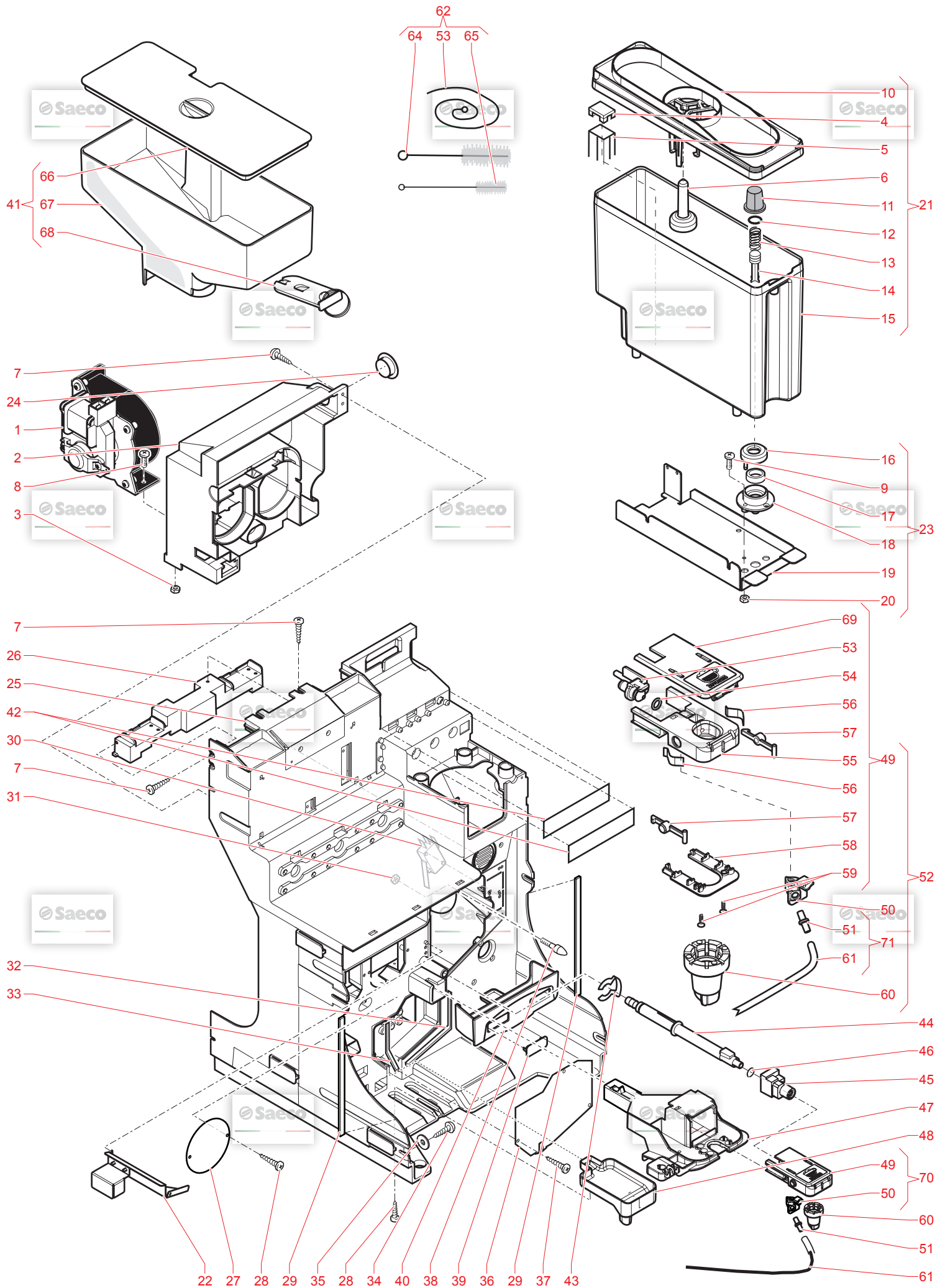
14/03/2019

01

E019.044

GAGGIO MONTANO

© by Saeco, a company of Evoca Group -



N.POSI	COD	I - DESCRIZIONE	UK - DESCRIPTION	F - DESCRIPTION	D - BEZEICHNUNG	E - DESCRIPCION	NOTE
1	9121.009.00A	MOTORE CON VENTOLA 230V	MOTOR WITH FAN 230V	MOTEUR VENTILATEUR 230V	Ventilator motor 230 V	MOTORE CON VENTOLA 230V	120V
2	11007019.00F	MOTORE CON VENTOLA 120V	MOTOR WITH FAN 120V	NON UTILISEE PAR LA FRANCE ET BE	VENTILATORMOTOR 110 V	MOTORE CON VENTOLA 120V	
3	U324.006	SUPPORTO MOTORI SOLIBILI 5P07	5P07 SOLUBLES MOTORS SUPPORT	ECROU	MONTAGERAHMEN MOTOREN		
4	9161.050.230	DADO M4 FLANGIATO BASE DENTELLAT	NUT M4 FLANGED INDENTED BASE	ECROU	Sechskantmutter M4 DIN 934	DADO M4 FLANGIATO BASE DENTELLAT	
5	11033598	TAPPO VANO GALLEG. MAG. TRASPIANA	NUT/TRANS-FLOATING SPACE PLUG M	FLOTTEUR GRIS	Deckel Schwimm MA, RO	TAPPO VANO GALLEG. MAG. TRASPIANA	
6	9161.112.150	GALLEGGIANTE DI LIVELLO GRI.	GREY LEVEL FLOAT	VISUAL FLOAT FOR TANK	Wasserstandsanzeiger grau	GALLEGGIANTE DI LIVELLO GRI.	
7	U110.005	VITE AUT.TCB 3.9X9.5 DIN 7981 F	screw AUT.TCB 3.9X9.5 DIN 7981 F	VIS AUT.TCB 3.9X9.5 DIN 7981 F	Visuellefloatschraube 3.9X9.5 DIN	VITE AUT.TCB 3.9X9.5 DIN 7981 F	
8	12002039	VITE TCB D M4X12 ZN-B	SCREW TCB D TORX 20 M4X12 ZN-B	VIS TCB D M4X12 ZN-B	Schraube 3.5x48x28 TORX	VITE TCB D M4X12 ZN-B	120V
9	U046.007	VITE TEZF M4,0X12 ZNP	screw TEZF M4,0X12 GALV.	VIS TEF M4X12	Sechskantschraube M4X12 Zn		
10	U044.009	TPC M3,0X8 UNI 7688 INOX	SS SCREW TSPC M3,0X8 UNI 7688	SS SCREW TSPC M3,0X8 UNI 7688	Sechskantschraube M3x8 DIN 965 INOX	VITE TSPC M3,0X8 UNI 7688 INOX	
11	11033590	COPERCHIO TANICA	COVER TANK	COVER TANK	COVER TANK	COPERCHIO TANICA	
12	246640200	AS FILTRO EST. CONT.ACQ.BIA.	OR ORM 0060-30 SILICONE	ENS. FILTRE EXT.POUR BACS A EAU	SCHMUTZSIEB (MIT POS.25)	AS FILTRO EST. CONT.ACQ.BIA.	
13	140324362	OR ORM 0060-30 SILICONE	OR ORM 0060-30 SILICONE	JOINT DE BAC 0060-30	O-Ring 0060-30 Silicon schwarz	OR ORM 0060-30 SILICONE	
14	127664718	MOLLA CILINDR.VALV.CONT.ACQ.INOX	SS WATER CONTAINER VALVE SPRING	RESSORT DE VALVE	Druckfeder zur Wassertrankventil	MOLLA CILINDR.VALV.CONT.ACQ.INOX	
15	147660562	PISTON X VALVE BAC EAU	GREY PISTON FOR WATER CONTAINER	PISTON X VALVE BAC EAU	Ventil Wasserbehälter MA, RO, VI	PISTON X VALV. CONT.ACQ.GRI.	
16	11033589	TANK PHEdra EVO	TANK PHEdra EVO	TANK PHEdra EVO	TANK PHEdra EVO	TANK PHEdra EVO	
17	0701.031.150	COP.GUARN.GACO DIM 14 VALV.ACQ.G	GREY WATER VALVE GACO DIM 14 SEA	CACHE JOINT GRIS	Ventilkappe grau	COP.GUARN.GACO DIM 14 VALV.ACQ.G	
18	145842900	GUARN.GACO DIM14 VALV.CONT.ACQ.N	NBR WATER CONT.VALVE GACO DIM14	JOINT GACO	Lippendeckung GACO DIM 14	GUARN.GACO DIM14 VALV.CONT.ACQ.N	
19	0701.014.150	CONT.GUARN.GACO DIM 14 VALV.ACQ.	GREY WATER VALVE GACO DIM 14 SEA	SUPPORT JOINT	Ventilunterteil grau	CONT.GUARN.GACO DIM 14 VALV.ACQ.	
20	11034296	PIASTRA SUPPORTO TANICA PHEdra E	PLATE TANK SUPPORT BLK	PLATE TANK SUPPORT BLK	Mutter M3 mit Flansch	PIASTRA SUPPORTO TANICA PHEdra E	
21	U324.005	DADO M3 FLANGIATO BASE DENTELLAT	NUT M3 FLANGED INDENTED BASE	ECROU	TANK PHEdra EVO	DADO M3 FLANGIATO BASE DENTELLAT	
22	11033803	ASS.TANICA PHEdra EVO	TANK PHEdra EVO	TANK PHEdra EVO	TANK PHEdra EVO	ASS.TANICA PHEdra EVO	
23	11034489	ASS.CARTER SICUREZZA BRACCIO UGE	SAFETY CARTER BLK	SAFETY CARTER BLK	SAFETY CARTER BLK	CARTER SICUREZZA BRACCIO UGELLI	
24	11033805	TANK SUPPORTO TANICA PHEdra EVO	TANK SUPPORT	TANK SUPPORT	TANK SUPPORT	ASS.SUPPORTO TANICA PHEdra EVO	
25	12001070	TAPPO POLYCAP LPN600-053-IDPE	POLYCAP COVER LPN600-053-IDPE	BOUCHON LPN600-053-IDPE	BLINDABDECKUNG LÜFTUNG	PIASTRA DI MONTAGGIO PHEdra EVO	
26	11033772	PIASTRA DI MONTAGGIO PHEdra EVO	PHEdra EVO MAIN ASSEMBLING PLATE	PLAQUE ASSEMBLAGE PHEdra EVO	PHEdra EVO MAIN ASSEMBLING PLATE	SUPPORTO CERNIERE SUPERIORI	
27	11008350	SUPPORTO CERNIERE SUPERIORI	UPPER HINGES PLATE	UPPER HINGES PLATE	UPPER HINGES PLATE		
28	9111.405.060	TAPPO X FORO MISCELATORE MARRON	MIXER HOLE CAP BROWN	CACHE TRAPPE MIXER MARRON	Blindabdeckung zur Bohrung Mische		
29	U116.006	VITE AUT.PT TCB 3.5X12 WN 1441 Z	ASIDE AUT.PT TCB 3.5X12	VIS AUT.PT TCB 3.5X12	Linsen-Schraube 3.5x12 WN1441ZNP	VITE AUT.PT TCB 3.5X12 WN 1441 Z	
30	NE05.018	GUARNIZIONE FIANCHI LATERALI PHE	ASIDE PANELS' SPECIAL SEAL	GUARNIZIONE FIANCHI LATERALI PHE	Linsen-Schraube 3.5x12 WN1441ZNP	GUARNIZIONE FIANCHI LATERALI PHE	
31	123160502	MICROINTERRUITTORE	MICROSWITCH	MICRO INTERRUPTEUR	Microschalter-Ausgabebaum	MICROINTERRUITTORE	
32	110131400	DADO M5 ALTO UNI 5587-68 ZINC.	GALVANIZED NUT M5 HIGH UNI 5587-	ECROU CHAUDIERE SAECO	Mutter M5 UNI 5587-68	DADO M5 ALTO UNI 5587-68 ZINC.	
33	110131400	GUARNIZIONE X VANO DRENAG PHEdra	SEAL FOR DRAIN VAIN PHEdra L.115	VIS AUT.TCB 3.5X13 DIN 7981 C	Linsen-Blechschr. 3.5x13 DIN 798		
34	U109240	GUARNIZIONE X VANO DRENAGGIO PHE	SEAL FOR DRAIN VAIN PHEdra	RONDELLE 4,3X12 DIN 7349 ZNP	Scheibe 4,3x12 DIN 7349 verz.		
35	U201.013	VITE TCB 3.5X13 UNI 6954 NIK	SCREW TCB 3.5X13 UNI 6954 NIK	PLAQUE	VAIN O DRAIN COVER PLATE	ROSETTA PIANA 4.3X12 DIN 7349 ZN	
36	U201.005	ROSETTA PIANA 4.3X12 DIN 7349 ZN	PLAIN WASHER 4.3X12 DIN 7349 GAL	VAIN O DRAIN COVER PLATE	Schraube TSP 3.5x12 DIN 7505	PIASTRA COPERTURA VANO DI DRENAG	
37	11008480	PIASTRA COPERTURA VANO DI DRENAG	PANELVIT TSP 3.5X12 DIN 7505 A G	PISTON POUR CHAUDIERE	Fixiertift mit Gewinde M4		
38	U142.008	PANELVIT TSP 3.5X12 DIN 7505 A Z	PEG FOR BOILER	ASPIRATION MIXERS	Blindabdeckung zur Absaugkanal		
39	9111.405.060	TAPPO CANALE ASPIRAZIONE	BOX MIXERS ASPIRATION 5P07	ASPIRATION MIXERS	Abluftkanal Mischer 5P07		
40	11008759	CASSETTO ASPIRAZIONE MIXERS 5P07	COFFEE TANK ASSEMBLY 5P07	BAC A CAFE COMPLET 5P07	Botnenbehälter kpl. P7		
41	11008835	ASS.CONTENTATORE CAFFE 5P07	ASS.CONTENTATORE MIXERS 5P07	ETIQUETTE ADHESIVE 92X30MM PHEdr			
42	15001860	ANELLO SEEGER D=10 UNI 7435 ACC/	ETICHETTA ADESIVA 92X30MM PHEdra	BURNISHED/STEEL D=10 SEEGER RING			
43	12001575	TUBO X CAPPUCCIATORE 5P07	TUBE FOR CAPPUCCIATORE	TUBE POUR CAPPUCCIATORE			
44	11009476	RACCORDO USCITA VAPORE CAPP.PHEdr	CAPPUCCIATORE OUTPUT STEAM CONN	CAPPUCCIATORE OUTPUT STEAM CONN			
45	11033391	OR ORM 0050-20 SILICONE	OR ORM 0050-20 IN SILICONE	JOINT OR ORM 50-20			
46	NM01.057	SUPPORTO EROGAZIONE PHEdra EVO	PHEdra EVO NOZZLES SUPPORT	SUPPORT D'EROGATION PHEdra EVO			
47	11033385	CONVOGLIATORE SCARICHI ACQUA	WATER CONVEYOR	CONVOYEUR			
48	11033363	AS.CAPPUC.V2 RYLO NER.SER.	BLK CAPPUCCIATORE S/SCR V2 RYLO	RACCORDEUR NOIR V2 HSC			
49	421941260042	RAC.TUBO ASPIR.LATTE RYL.NEU.	MILK INTAKE TUBE CONNECTOR RYL	RACCORDEUR TUBE ASPIRATION LAIT			
50	17000336	INS.RAC.TUBO ASPIR.LATTE RYL.NEU.	KIT MILK INTAKE TUBE CONNECT.MS	INSERT RACCORDEUR TUBE ASPIRATION L			
51	110034071	ASS.KIT CAPPUCCIATORE PHEdra EV	BLACK CAPPUC.INPUT MILK CONNECTO	RACCORDEUR ASPIRATION LAIT			
52	170001785	RAC.INGRES.LATTE CAPPUC.RYL.NER.	O-RING 106 SILICONE	JOINT 106			
53	NM01.028	OR 106 SILICONE	BLACK LEFT ENTRY CAPPUCCIAT.CAS	CORPS CAPPUCCIATORE			
54	17000338	CORPO CAPPUC.INGRES.SX RYL.NER.	RESSORT INOX BLOCAGE INSERT SPRING	RESSORT INOX BLOCAGE INSERT CAPP			
55	17000382	MOLLA INS.BLOCAG.CAPPUC.RYL.INO	GREY LEFT CAPPUCCIATORE INSERT	INSERT GAUCHE BLOCAGE CAPPUCIN			
56	17000389	INS.SX BLOCAG.CAPPUC.RYL.GRI.	BLK LOWER CAPPUCCIATORE LID V2	BLK LOWER CAPPUCCIATORE LID V2			
57	421941278272	COPINF.CAPPUC.V2 RYL.NER.	SCREW TSP TORX 10.3X10 PLAST.SS	VIS TSP 3X10 PLAST.INOX			
58	12000895	VITE TSP 3X10 PLAST.INOX	CAPPUCCIATORE OUTPUT MILK CONNE	RACCORDEUR DE SORTIE LAIT			
59	11033390	CONO USCITA LATTE CAPP.PHEdra EV	SILICONE TUBE 3.5X6 L=640 MM	SILICONE TUBE 3.5X6 L=640 MM			
60	11034305	TUBO SILICONE 3.5X6 L.640MM TAGL	SAC ACCESSOIRES PHEdra CAPPUCIN	SAC ACCESSOIRES PHEdra CAPPUCIN			
61	11033704	ASS.SACCHETTO ACCESSORI PHEdra C	SCRAPER ASS.FOR CAPPUCCIAT. TUB	ENS RACLOIR POUR TUBE CAPPUCINO			
62	1022.018	ASS.RASCHIATORE X TUBO CAPPUCIN	BRUSH D.12	BROSSE D.12			
63	12000431	SCOVOLINO C/OCCHELLO D.12	BRUSH D.6	BROSSE D.6			
64	12000430	SCOVOLINO C/OCCHELLO D.6	5P07 COFFEE CONTAINER COVER	BAC A CAFE ROYAL OFFICE			
65	120007015	COPERCHIO CONT.CAFFE IN GRANI 5	COFFEE CONTAINER COVER	BAC A CAFE PHEdra			
66	11007014	CONTENITORE CAFFE IN GRANI 5P07	COFFEE CONTAINER 5P07				

N.POSI COD	I - DESCRIZIONE	UK - DESCRIPTION	F - DESCRIPTION	D - BEZEICHNUNG	E - DESCRIPCION	NOTE
68	11010736 ASS.GHIGLIOTTINA CAFFE'	ASS GUILLOTINE COFFEE	FERMETURE BAC CAFE	Verschluss Bohrenbehälter	ASS.GHIGLIOTTINA CAFFE'	Cappuccino
69	17004098 COP.SUP.CAPPUCCINATRYL NER.LASE	BLK UPPER CAPPUCC LID LASER RYL	BLK UPPER CAPPUCC LID LASER RYL	BLK UPPER CAPPUCC LID LASER RYL	BLK UPPER CAPPUCC LID LASER RYL	Cappuccino
70	11035513 ASS.CAPPUCC.V2 E RAC.TUBO ASPIR.L	CAPPUCCINATORE V2 MILK INTAKE TU	CAPPUCCINATORE V2 MILK INTAKE TU	CAPPUCCINATORE V2 MILK INTAKE TU	ASS.CAPPUCC.V2 E RAC.TUBO ASPIR.L	Cappuccino
71	11034304 ASS.TUBO PINL.WONDER PHEDRA EVO	TUBE PINL.WONDER PHEDRA EVO	TUBE PINL.WONDER PHEDRA EVO	TUBE PINL.WONDER PHEDRA EVO	ASS.TUBO PINL.WONDER PHEDRA EVO	Cappuccino



Phedra EVO

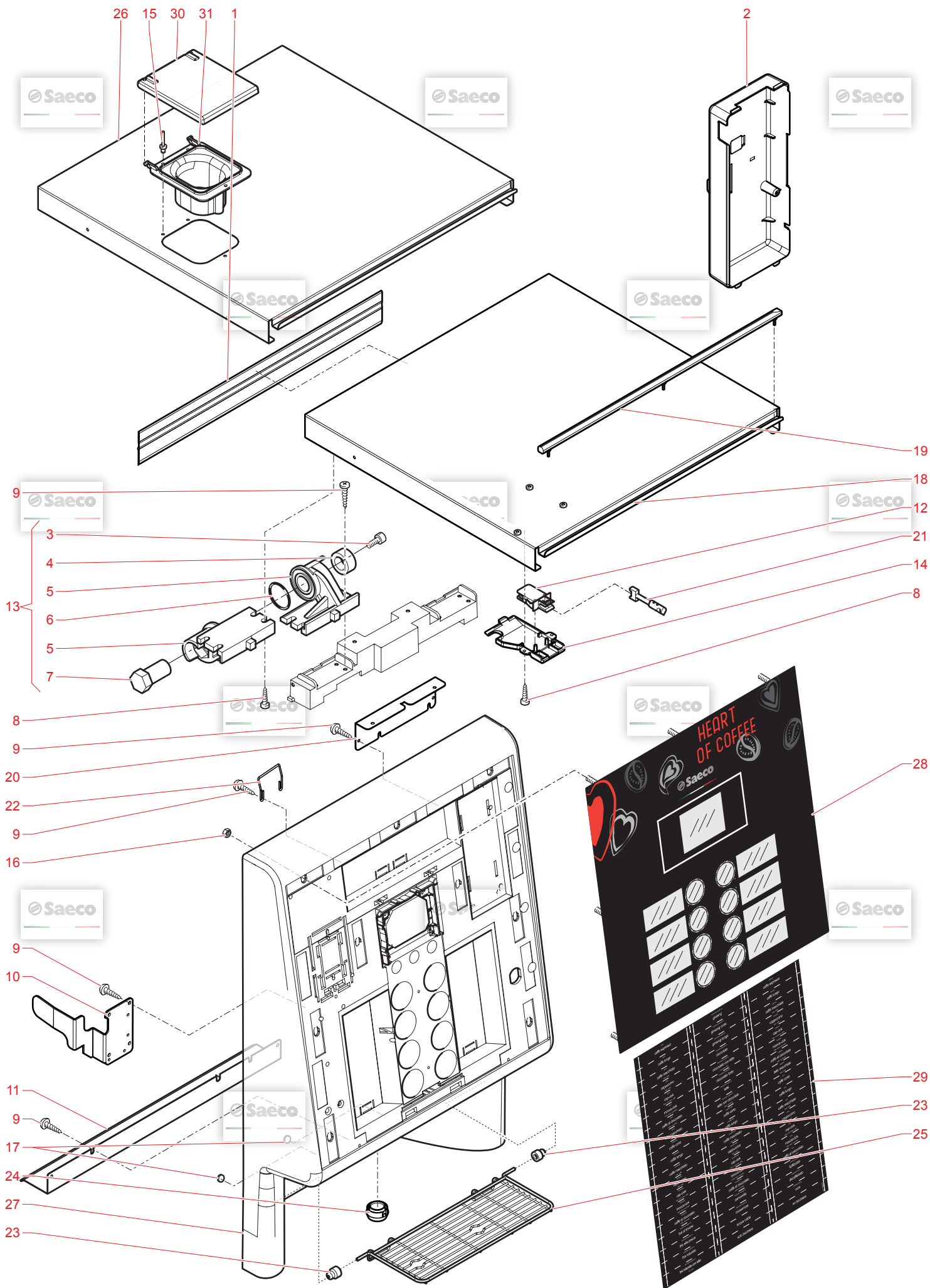
14/03/2019

02

E019.044

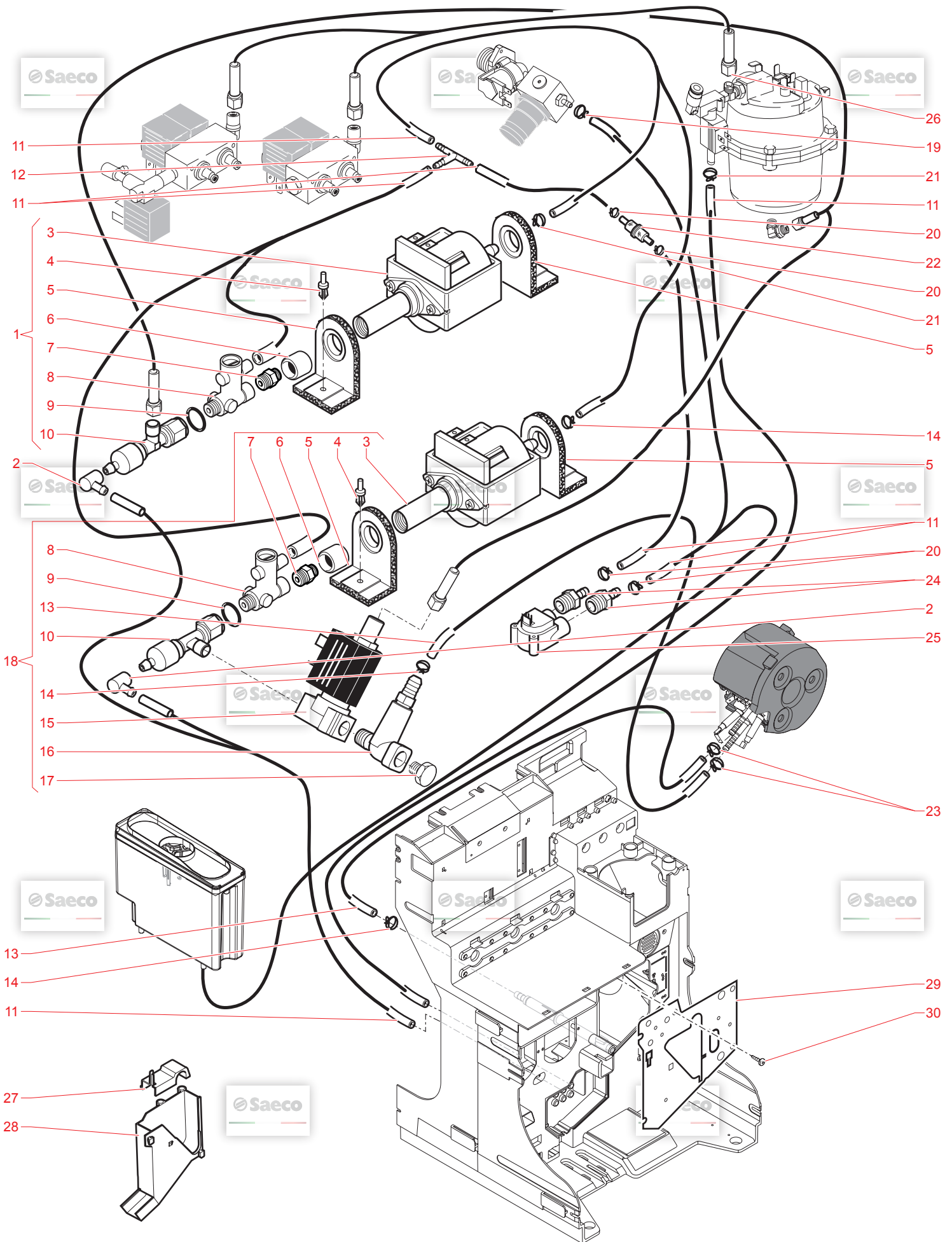
GAGGIO MONTANO

© by Saeco, a company of Evoca Group

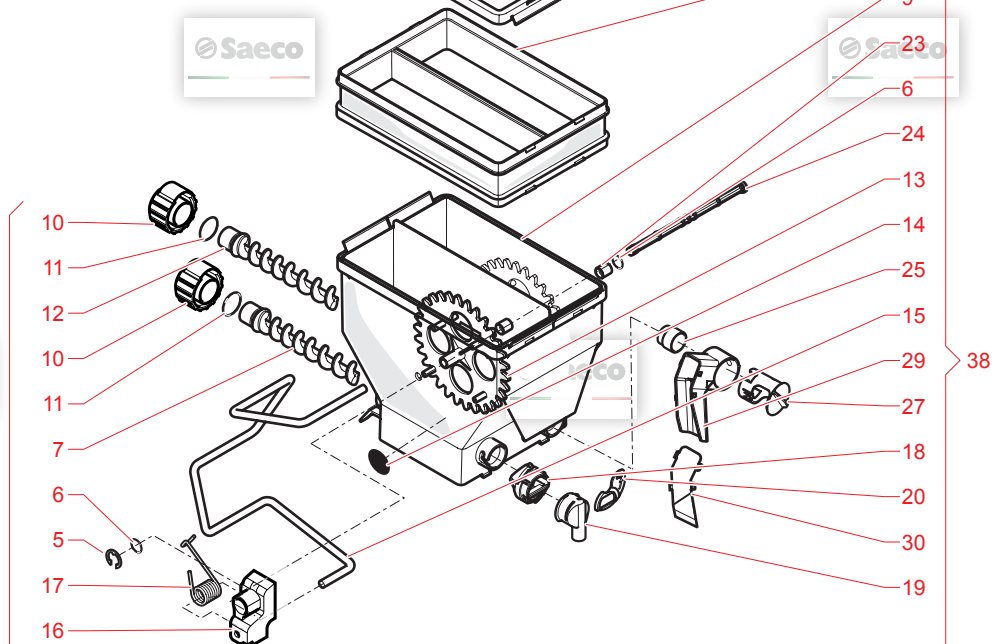
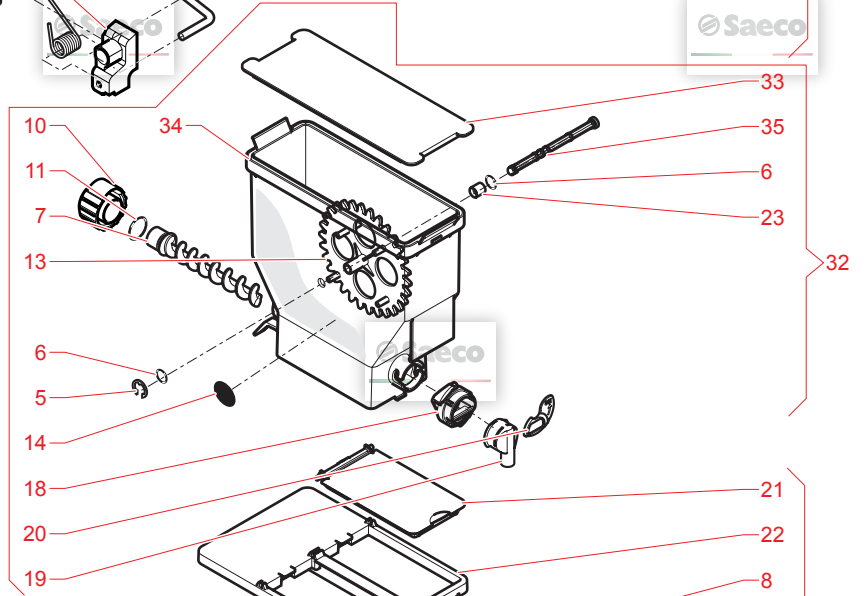
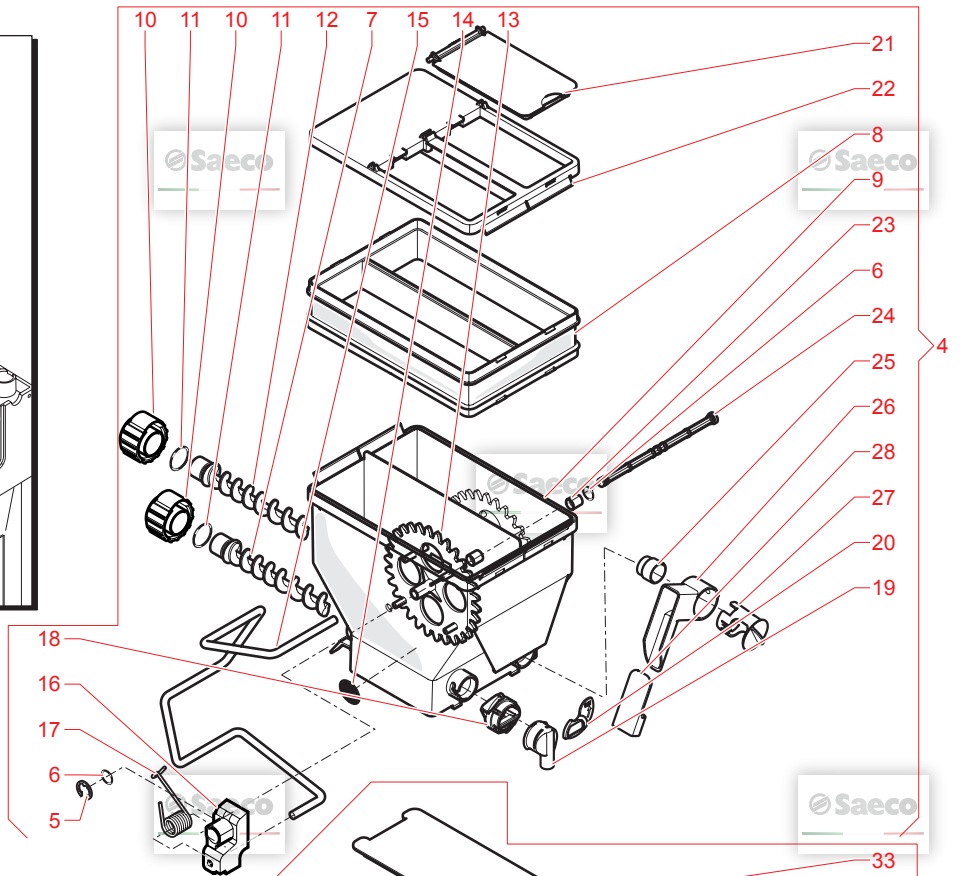
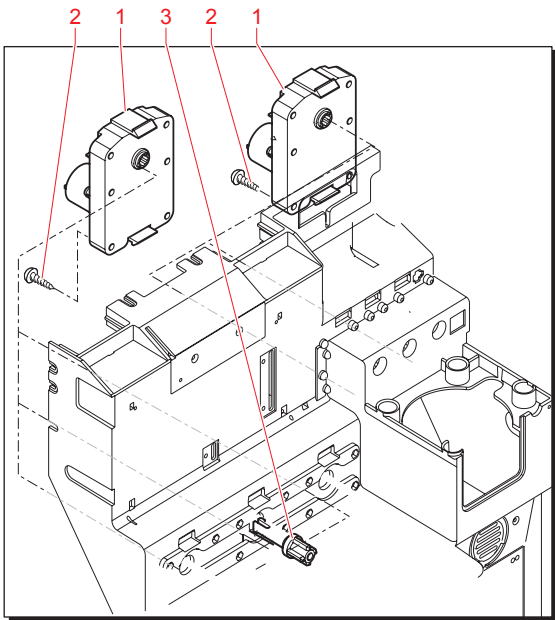


N.POSI COD	I - DESCRIZIONE	UK - DESCRIPTION	F - DESCRIPTION	D - BEZEICHNUNG	E - DESCRIPCION
1	11012465	GUARNIZIONE DEFLUSSO ACQUA X SPO	CARTER	CARTER	GUARNIZIONE DEFLUSSO ACQUA X SPO
2	11033392	CARTER SCHEDE PORTA PHEdra EVO	SCREW TCEI M8X20 UNI 5931 ZIN	Zylinder-schraube TCEI M8x20	CARTER SCHEDE PORTA PHEdra EVO
3	U023.019	VITE TCEI M8X20 UNI 5931 ZIN	BUSH HINGE 5P07	RONDELLE	
4	11010882	BOCCOLA CENTRAGGIO CERNIERA 5P07	HINGE FOR ROOF 5P07	CHARNIERE	CERNIERA X TETTO 5P07
5	11007023	CERNIERA X TETTO 5P07	O-RING 121 SILICONE	O-RING SILICON	OR 121 SILICONE
6	NM01.026	PERNO FILETTATO X CERNIERA 5P07	PIN FOR HINGE 5P07	AXE CHARNIERE	
7	11008967	VITE AUT. TMTPH2 3.5X9.5 F ZNP I	screw TMTPH2 3.5X9.5 F ZNP ISO47	Schraube TMTPH2 3.5X9.5 F ZNP IS	VITE AUT. TMTPH2 3.5X9.5 F ZNP I
8	12002160	VITE AUT. PT TCB 3.5X12 WN 1441 Z	SCREW AUT. PT TCB 3.5X12 WN 1441	VIS AUT. PT TCB 3.5X12	VITE AUT. PT TCB 3.5X12 WN 1441 Z
9	U116.006	PIASTRA SERRATURA PHEdra EVO BLK	PLATE	PLAQUE DE FERMETURE PHEdra	PIASTRA SERRATURA PHEdra EVO BLK
10	11034349	CARTER LED PORTA BLK	CARTER LED DOOR	CARTER LED DOOR	CARTER LED PORTA BLK
11	11034360	MICROINTERRUTTORE BIPOLARE	BIPOLAR MICROSWITCH	MICRO INTERRUP. BIPOLAIRE	MICROINTERRUTTORE BIPOLARE
12	NE05.039	MICROINTERRUTTORE XT.D. 22AZ1	MICROSWITCH CHERRY D413. V3LD	MICROINTERRUP. XT.D. 22AZ1	MICROINTERRUTTORE XT.D. 22AZ1
13	11008937	ASS. CERNIERA TETTO 5P07	ASS. HINGE ROOF 5P07		
14	11033774	SUPPORTO MICRO PHEdra EVO	SUPPORT FOR MICRO DOOR	SUPPORT MICRO PORTE	SUPPORTO MICRO PHEdra EVO
15	NF11.022	RIVETTO ESPANS. D=2,8X8 AL/FE NE	EXPANSION RIVET D=2,8X8 ALU. BLA	RIVET ESPANS. D=2,8X8 AL/FE NOIR	RIVETTO ESPANS. D=2,8X8 AL/FE NE
16	U324.003	DADO M5 FLANGIATO BASE DENTELLAT	NUT M5 FLANGED INDENTED BASE	ECROU	DADO M5 FLANGIATO BASE DENTELLAT
17	9991.189	MAGNETE D.9.5X2.2000 GAUSS	MAGNET D.9.5X2.2000 GAUSS	AIMANT	MAGNETE D.9.5X2.2000 GAUSS
18	11033400	COPERCHIO PHEdra EVO BLK	COVER PHEdra EVO BLK	COVER PHEdra EVO BLK	COPERCHIO PHEdra EVO BLK
19	11033568	GUARNIZIONE COPERCHIO PHEdra EVO	GASKET COVER PHEdra EVO	GASKET COVER PHEdra EVO	GUARNIZIONE COPERCHIO PHEdra EVO
20	11034280	CARTER CABLAGGI PORTA BLK	CARTER FOR HARNESS DOOR BLK	CARTER FOR HARNESS DOOR BLK	CARTER CABLAGGI PORTA BLK
21	11028411	CHIAVE ATTUAZIONE LUNGA MICRO PO	KEY	CLEF DE TECHNICIEN	CHIAVE ATTUAZIONE LUNGA MICRO PO
22	11007640	MOLLA X MICRO SPORTElLO SUPERIOR	SPRING FOR UPPER DOOR MICROSOWITC	EPINGLE DE SWITCH DE PORTE SUPER	MOLLA X MICRO SPORTElLO SUPERIOR
23	11033687	BOCCOLA FISSAGGIO GRIGLIA	BUSH FIXING GRILL	BAGUE FIXATION GRILLE	BOCCOLA FISSAGGIO GRIGLIA
24	11033420	CONO USCITA ACQUA CALDA	HOT WATER OUT CONE	HOT WATER OUT CONE	CONO USCITA ACQUA CALDA
25	11033395	GRIGLIA RIALZO BICCHIERE PHEdra	GRILL FOR PHEdra EVO	GRILLE PHEdra EVO	GRIGLIA RIALZO BICCHIERE PHEdra
26	11033606	TETTO X TANICA BLK	COVER X TANK BLK	COVER X TANK BLK	TETTO X TANICA BLK
27	11033384	PORTA ANTERIORE PHEdra EVO	PHEdra EVO FRONT DOOR	PORTE PHEdra EVO	PORTA ANTERIORE PHEdra EVO
27	11034995	PORTA ANTERIORE PHEdra EVO BLK	PHEdra EVO FRONT DOOR BLK	PHEdra EVO FRONT DOOR BLK	PORTA ANTERIORE PHEdra EVO
28	11034676	RICAMBIO PANNELLO FRONTALE PHEdr	SPARE PARTS FRONT PANEL PHEdra E	SPARE PARTS FRONT PANEL PHEdra E	RICAMBIO PANNELLO FRONTALE PHEdr
29	15004381	FOGLIO ETICH.PROD.TAST.CAPACITIV	PRODUCTS LABEL'S SHEET CRISTALLO	PLANCHE D'ETIQUETTES CRISTALLO E	FOGLIO ETICH.PROD.TAST.CAPACITIV
29	15004382	FOGLIO ETICH.PROD.TAST.CAPACITIV	PRODUCTS LABEL'S SHEET CRISTALLO	PLANCHE D'ETIQUETTES CRISTALLO E	FOGLIO ETICH.PROD.TAST.CAPACITIV
29	15004383	FOGLIO ETICH.PROD.TAST.CAPACITIV	PRODUCTS LABEL'S SHEET CRISTALLO	PLANCHE D'ETIQUETTES CRISTALLO E	FOGLIO ETICH.PROD.TAST.CAPACITIV
29	15004384	FOGLIO ETICH.PROD.TAST.CAPACITIV	PRODUCTS LABEL'S SHEET CRISTALLO	PLANCHE D'ETIQUETTES CRISTALLO E	FOGLIO ETICH.PROD.TAST.CAPACITIV
29	15004385	FOGLIO ETICH.PROD.TAST.CAPACITIV	PRODUCTS LABEL'S SHEET CRISTALLO	PLANCHE D'ETIQUETTES CRISTALLO E	FOGLIO ETICH.PROD.TAST.CAPACITIV
29	15004386	FOGLIO ETICH.PROD.TAST.CAPACITIV	PRODUCTS LABEL'S SHEET CRISTALLO	PLANCHE D'ETIQUETTES CRISTALLO E	FOGLIO ETICH.PROD.TAST.CAPACITIV
29	15004387	FOGLIO ETICH.PROD.TAST.CAPACITIV	PRODUCTS LABEL'S SHEET CRISTALLO	PLANCHE D'ETIQUETTES CRISTALLO E	FOGLIO ETICH.PROD.TAST.CAPACITIV
29	15004670	FOGLIO AGG. ETICH.PROD.TAST.CAPA	ADD.LABEL'S SHEET CAPACITIVE KEY	ETIQUETTES ADD. CLAVIER TACTILE	FOGLIO AGG. ETICH.PROD.TAST.CAPA
30	11033587	COPERCHIO IMBUTO TANICA PHEdra E	COVER FUNNEL TANK	COVER FUNNEL TANK	COPERCHIO IMBUTO TANICA PHEdra E
31	11033588	IMBUTO PER TANICA ACQUA PHEdra E	FUNNEL TANK PHEdraEVO	FUNNEL TANK PHEdraEVO	IMBUTO PER TANICA ACQUA PHEdra E





N.POSI	COD	I - DESCRIZIONE	UK - DESCRIPTION	F - DESCRIPTION	D - BEZEICHNUNG	E - DESCRIPCION	NOTE
1	11034287	ASS.POMPA STD EX5-SD1-T3X6-220V	PUMP EX5-SD1-T3X6-220V 60HZ	PUMP EX5-SD1-T3X6-220V 60HZ	PUMP EX5-SD1-T3X6-220V 60HZ	ASS.POMPA STD EX5-SD1-T3X6-220V	220V
1	11034299	ASS.POMPA EP7 PHEDRA EVO TTT 120V	PUMP EP7 PHEDRA EVO TTT 120V	PUMP EP7 PHEDRA EVO TTT 120V	PUMP EP7 PHEDRA EVO TTT 120V	ASS.POMPA EP7 PHEDRA EVO TTT 120V	120V TTT
1	11034310	ASS.POMPA STD EX5-SD1-T3X6-230V	PUMP EX5 SD1 STD T3X6 230V	POMPE EX5 SD1 STD T3X6 230V	PUMP EX5 SD1 STD T3X6 230V	ASS.POMPA STD EX5-SD1-T3X6-230V	WT
1	11034441	ASS.POMPA STD WT EX5-SD1-T3X6-23	PUMP WT EX5 SD1 STD T3X6 230V	PUMP WT EX5 SD1 STD T3X6 230V	PUMP WT EX5 SD1 STD T3X6 230V	ASS.POMPA STD WT EX5-SD1-T3X6-23	
2	147920150	RAC.INGRESSO A 90° POMPA NEU.	90° INLET PUMP CONNECTOR	RACCORDE 90° CAOUTCHOU	RACCORDE 90° CAOUTCHOU	RAC.INGRESSO A 90° POMPA NEU.	
3	9070.034.00A	POMPA ULKA EP7 230V	POMPE ULKA EP7	POMPE ULKA EP7	Pompe Ulka EP7 230V	POMPA ULKA EP7 230V	TTT
3	9070.034.00F	POMPA ULKA EP7 120V	ULKA PUMP EP7 120V	ULKA PUMP EP7 120V	ULKA PUMP EP7 120V	POMPA ULKA EP7 120V	120V CSA
3	9070.042.00A	POMPA IN OTTONE	BRASS PUMP	BRASS PUMP	BRASS PUMP	POMPA IN OTTONE	
3	9070.042.00N	POMPA ULKA EX5 SD1	ULKA PUMP EX5 SD1	NON UTILISEE PAR LA FRANCE ET LE	ULKA PUMP EX5 SD1	POMPA ULKA EX5 SD1	220V
4	NF11.005	RIVETTO ITW D 5.5	RIVET ITW D 5.5	NON UTILISEE PAR LA FRANCE ET LE	Rivetsbolzen ITW d=5.5	RIVETTO ITW D 5.5	
5	149185850	SUPP.POMPA EATON MAGIC 4002012	EATON PUMP SUPPORT 4002012 MAGIC	SUPPORT DE POMPE	Pumpenhalterung Typ EATON sz.	SUPP.POMPA EATON MAGIC 4002012	
6	9071.098	RINFORZO X POMPA ULKA	REINFORCEMENT FOR ULKA PUMP	EMBOUIT DE POMPE ULKA	Verstärkung zu Ulka-Pumpe	RINFORZO X POMPA ULKA	TTT
7	11032615	RACCORDO ADATTATORE VALVOLA	FITTING ADAPTER VALVE	RACCORDE ADAPTEUR VALVE	FITTING ADAPTER VALVE	RACCORDO ADATTATORE VALVOLA	WT
8	20007360	VALV. B7E BYPASS C/SCARICO 018	BYPASS VALVE FLUID-O-TECH B7E	VALVE BYPASS FLUID-O-TECH B7E	BYPASS VALVE FLUID-O-TECH B7E	VALV. B7E BYPASS C/SCARICO 018	WT
9	140321961	OR 2031 TERMOIL	O-RING 2031 TERMOIL	JOINT 2031	O-Ring 2031 EPDM	OR 2031 TERMOIL	TTT
10	11005590	ASS.VALVOLA SICUREZZ.N/RITORNORN	SAFETY VALVE/NON RETURN ASS. NEW	VALVE ANTI RETOUR	Sicherheits- Rückschlagventil	ASS.VALVOLA SICUREZZ.N/RITORNORN	WT
11	9972.246	TUBO SILICONE 5X10 L.2000MM	SILICONE TUBE 5X10 L.2000MM	TUBE SILICONE 5X10 L=2000 MM	Silikon Schlauch 5X10 L=2000 mm	TUBO SILICONE 5X10 L=2000 MM	Cappuccino
12	NV99.004	RACCORDO A T MORONI 8026047 D=8	CONNECTOR T MORONI 8026047 D=8	RACCORDE EN T 8026047 D=8	T-Raccord Moroni 8026047 d=8 mm	RACCORDO A T MORONI 8026047 D=8	Cappuccino
13	9972.202	TUBO SILICONE 5X10 L.320MM	SILICONE TUBE 5X10 L.320MM				Cappuccino
14	NV99.087	FASCETTA STRINGITUBO D=11/11,6	BAND D=11/11,6	ANNEAU	Schlauchbinder. ø11/11,6	FASCETTA STRINGITUBO D=11/11,6	Cappuccino
15	11032651	"EV 3 VIE N.C.2F/1M 1/8" 18BAR D.1"	"EV 3 VIE N.C.2F/1M 1/8" 18BAR D.1"	"EV 3 VOIE N.C.2F/1M 1/8" 18BAR D."	"EV 3 VIE N.C.2F/1M 1/8" 18BAR D.1"	"EV 3 VIE N.C.2F/1M 1/8" 18BAR D.1"	Cappuccino
16	11008017	ASS.VALVOLA DI SICUREZZA 3.5-4	SAFETY VALVE 3.5-4 BAR	BOUJ LAITON 1/8 GAS CONIQ TEA	ASS.VALVOLA DI SICUREZZA 3.5-4	ASS.VALVOLA DI SICUREZZA 3.5-4	Cappuccino
17	12001169	TAPPO OTTONE 1/8 GAS CONICO TEA	BRASS CAP 1/8 GAS CONICAL TEA	BOUJ LAITON 1/8 GAS CONIQ TEA	Sechskantschraube 1/8", Messing	ASS.POMPA EP7 PHEDRAEVO TTT CAPP	Cappuccino
18	11034289	ASS.POMPA EP7 PHEDRAEVO TTT CAPP	PUMP EP7 PHEDRAEVO TTT CAPP 230	PUMP EP7 PHEDRAEVO TTT CAPP 230	PUMP EP7 PHEDRAEVO TTT CAPP 230	ASS.POMPA EP7 PHEDRAEVO TTT CAPP	Cappuccino
18	11034298	ASS.POMPA EP7 PHEDRAEVO TTT CAPP	PUMP EP7 PHEDRAEVO TTT CAPP 120V	PUMP EP7 PHEDRAEVO TTT CAPP 120V	PUMP EP7 PHEDRAEVO TTT CAPP 120V	ASS.POMPA EP7 PHEDRAEVO TTT CAPP	Cappuccino
18	11034300	ASS.POMPA CAPP. EX5 SD1 T3X6 230	PUMP EX5 SD1 CAPP T3X6 230V	POMPE EX5 SD1 CAPP T3X6 230V	PUMP EX5 SD1 CAPP T3X6 230V	ASS.POMPA CAPP. EX5 SD1 T3X6 230	Cappuccino
18	11034440	ASS.POMPA CAPP.WT EX5 SD1 T3X6 2	CAPPUCCINO PUMP WT EX5 SD1 T3X6	CAPPUCCINO PUMP WT EX5 SD1 T3X6	CAPPUCCINO PUMP WT EX5 SD1 T3X6	ASS.POMPA CAPP.WT EX5 SD1 T3X6 2	Cappuccino
19	184320200	MOLLA STRINGITUBO D=9,5MM ZINC.G	SPRING HOSE CLAMP D=9,5MM	ATTACHE DE TUYAU D.9,5	Schlauchklemme Pumpenwinkel	MOLLA STRINGITUBO D=9,5MM ZINC.G	Cappuccino
20	NV99.072	FASCETTA STRINGITUBO D. 11.6/12.	HOSE CLAMP D. 11.6/12.3	ATTACHE D. 11.6/12.3	Schlauchklemme D=11.6-12.3	FASCETTA STRINGITUBO D. 11.6/12.	Cappuccino
21	11032038	FASCETTA STRINGIT.D=9,8/10,6/107	TUBE-TIGHTENING CLAMP D=9,8/10,6	ATTACHE D=9,8/10,6 10799.41.00	Wasserfilter	FASCETTA STRINGIT.D=9,8/10,6/107	Cappuccino
22	11032038	FILTRO POLMONE IN ASPIRAZ.RETE I	FILTER INTAKE IN LUNG WATER SUPP	FILTRE D'ASPIRATION	Wasserfilter	FILTRO POLMONE IN ASPIRAZ.RETE I	Cappuccino
23	NV99.036	FASCETTA STRINGIT. D=8,5 09993.4	HOSECLAMP D=8,5 09993.41.00	ATTACHES 09993.41.00	Klemmfeder d=8,5mm	FASCETTA STRINGIT. D=8,5 09993.4	Cappuccino
24	11009215	PORTAGOMMA RESCA STANDARD 1/4 X	RUBBER HOLDER FOR FILTER	RACCORDE CAOUTCHOU	ANSCHLUSS-STUTZEN TURBINE	PORTAGOMMA RESCA STANDARD 1/4 X	Cappuccino
25	NV99.033	TURBINA IN PLASTIC	TURBINE IN PLASTIC	TURBINETTE PLASTIQUE	Turbine o Reduzieraccord	TURBINA IN PLASTIC	Cappuccino
26	11025301	"ASS.TUBO TEFLON 3X6 L.220 1/8"-1"	"TEFLON TUBE 3X6 L.220 1/8"-1"	"COUV.CANAL DECOMPRESSION	Teflonschlauch 3x6 / l=220mm 1/8	"ASS.TUBO TEFLON 3X6 L.220 1/8"-1"	Cappuccino
27	9161.262.060	COPERTURA CANALINO RACCOGLIGOCCE	DRIP CHANNEL COVER	COUV.CANAL DECOMPRESSION	Abdeckung zu Aufangtrichter, br	COPERTURA CANALINO RACCOGLIGOCCE	Cappuccino
28	9111.597.050	CANALINO SCARICO CAFFE. CORTO	COFFEE DISCHARGE CHANNEL SHORT	CANAL EAU USEES	Restwassersammler CS, P8	CANALINO SCARICO CAFFE. CORTO	Cappuccino
29	11013925	PIASTRINA CANALINO RACCOGLIGOC P	DRIPI CANAL PLATE PHEDRA V2	PLAQUE CANAL V2	PIASTRINA CANALINO RACCOGLIGOC P	PIASTRINA CANALINO RACCOGLIGOC P	Cappuccino
30	U142.008	PANELVIT TSP 3.5X12 DIN 7505 A Z	PANELVIT TSP 3.5X12 DIN 7505 A G	VIS TSP 3.5X12 DIN 7505 A GAL	Schraube TSP 3.5x12 DIN 7505	PANELVIT TSP 3.5X12 DIN 7505 A Z	Cappuccino



N.POSI	COD	I - DESCRIZIONE	UK - DESCRIPTION	F - DESCRIPTION	D - BEZEICHNUNG	E - DESCRIPCION
1	11033287	MOTORIDUTTORE 80 RPM K85 24VDC	RATIOMOTOR 80 RPM K85 24VDC	MOTOREDUCTEUR 80 RPM K85 24VDC	Puermotor für Milch/Kakao 80 R	MOTORIDUTTORE 80 RPM K85 24VDC
2	U109.002	VITE AUT.TCB 3.5X25 DIN 7981 C N	NIK SCREW TCB 3.5X25 DIN 7981 C	AXE DE MOTEUR	Linsen-Blechs.3.5x25 DIN7981 Ni.	VITE AUT.TCB 3.5X25 DIN 7981 C N
3	11011.586.050	PERNO X MOTORI KENTA	PIN FOR MOTORS KENTA	DOUBLE BAC ASSEMBLE	Kupplungswelle Zuckerspendermoto	PERNO X MOTORI KENTA
4	11007162	ASS.CONTENTITORE DOPPIO C/AGITATO	5P07 ASSEMBLED DOUBLE TANK	RONDELLE 7 UNI 7434	Produktbehälter doppelt komplett	ASS.CONTENTITORE DOPPIO C/AGITATO
5	U701.003	ANELLO ELASTICO 7 UNI 7434	SNAP RING 7 UNI 7434	DOUBLE BAC ASSEMBLE	Sicherungsring ø7 elastisch	ANELLO ELASTICO 7 UNI 7434
6	11012130	OR ORM 0060-10 NBR	OR ORM 0060-10 NBR	JOINT ORM 0060-10 NBR	O-Ring 0060-10 NBR	OR ORM 0060-10 NBR
7	11011.701	COCLEA CONTENITORE DOPPIO 40MM	SCROLL SCREW DOUBLE CONTAINER	VIS SANS FIN DOUBLE CONTAINER	Schnecke Produktbehälter	COCLEA CONTENITORE DOPPIO
8	11007016	PROLUNGA CONTENITORE DOPPIO 40MM	40MM SOLUBLES CONTAINER PROLONG	BAC A CAFE ROYAL OFFICE	40MM SOLUBLES CONTAINER PROLONG	PROLUNGA CONTENITORE DOPPIO 40MM
9	9111.680	BASE CONTENITORE SOLUBILI DOPPIO	BASE CONTAINER DOUBLE SOLUBLE	CONTAINER DE BASE DOUBLE SOLUBLE	Grundplatte Produktbehälter	BASE CONTENITORE SOLUBILI DOPPIO
10	11012130	BOCCOLA POSTERIORE RINFORZATA	BACK BUSH REINFORCE	DOUILLE REINFORCEE	Anschlussflansch hinten verstärkt	BOCCOLA POSTERIORE RINFORZATA
11	NM03.013	OR 2.3X15 NBR	OR 2.3X15 NBR	JOINT T2.3 D 15 NBR	O-Ring Verschluss 2.3x15 P7 NBR	OR 2.3X15 NBR
12	11001658	COCLEA PER DEVIATORE	WHEEL DOUBLE CONTAINER	ROUE DE CONTAINER DOUBLE	Zahnrad Cristallo	COCLEA PER DEVIATORE
13	9111.702	RUOTA CONTENITORE DOPPIO	ADHESIVE FOR TANK	ADHESIF POUR BAC	Aufkleber zu Produktbehälter	RUOTA CONTENITORE DOPPIO
14	9111.646	ADESIVO X SERBATOIO	WIRE AGITATOR UNIFIED	CABLE AGITATEUR	QUIRL FÜR INSTANTPRODUKT	ADESIVO X SERBATOIO
15	11006124	FILO AGITATORE UNIFICATO	AGITATOR SUPPORT	SUPPORT AGITATEUR	AUFNAHME FÜR QUIRL	FILO AGITATORE UNIFICATO
16	11007155	SUPPORTO AGITATORE	SPRING	RESSORT AGITATEUR	Feder Rührwerk	SUPPORTO AGITATORE
17	9111.731	MOLLA AGITATORE	BUSH FOR POWDERS TANK	BAGUE EMBOUT POU DRE	Hülse für Produktbehälter	MOLLA AGITATORE
18	9111.630.060	BOCCOLA X SERBAT.POLVERI C/AGGAN	Aperture for solubles hopper	EMBOUT POU DRE	Stutzen braun für Pulverrichter	BOCCOLA X SERBAT.POLVERI C/AGGAN
19	9111.629.060	PARATIA CHIUSURA BOCCHETTA ARANC	BULKHEAD FOR APERT. CLOSURE ORAN	VOLET FERMETURE ORANGE	Verschluss zu Stutzen, orange	PARATIA CHIUSURA BOCCHETTA ARANC
20	9111.338.270	COPERCHIETTO SOLUBILI	SOLUBLE COVER	COUVERCLE SOLUBLE	Produktbehälterdeckel	COPERCHIETTO SOLUBILI
21	9111.683	COPERCHIO CONT.SOLUBILI DOPPIO	COVER CONTAINER DOUBLE SOLUBLE	COUVERCLE BAC DOUBLE	Produktbehälterdeckel 20fach	COPERCHIO CONT.SOLUBILI DOPPIO
22	11032945	DISTANZIALE X RUOTA DENTATA BPA	SPACE FOR GEAR BPA FREE	ENTRETOISE BOUE DENTEE	SPACE FOR GEAR BPA FREE	DISTANZIALE X RUOTA DENTATA BPA
23	9111.703	PERNO DOPPIO PER RUOTA	DOUBLE PIN FOR WHEEL	AXE DOUBLE DE ROUE	Boizen zu Laufrad	PERNO DOPPIO PER RUOTA
24	11001654	BOCCOLA CONTENITORE	BUSH CONTAINER	EMBOUT BAC PRODUIT	Hülse zu Produktbehälter	BOCCOLA CONTENITORE
25	11011.425.060	CONDOTTO POLVERE ORIENTABILE	POWDER DUCT	CONDUIT	Verteiler Produktbehält verstell	CONDOTTO POLVERE ORIENTABILE
26	9111.457.060	BOCCOLA X CONDOTTO DX-SX COSMEC	BUSH FOR LEFT/RIGHT DUCT COSMEC	BOUCHON CONDUIT	Verschluss Pulverausgabe	BOCCOLA X CONDOTTO DX-SX COSMEC
27	9111.428.060	TAPPO X CONDOTTO DX-SX	PLUG FOR LEFT/RIGHT DUCT	EMBOUT	TAPPO X CONDOTTO DX-SX	TAPPO X CONDOTTO DX-SX
28	11013385	DEVIATORE X PHEDRA TTT	SWITCH FOR PHEDRA TTT	DEVIATEUR POUR PHEDRA TTT	SWITCH FOR PHEDRA TTT	DEVIATORE X PHEDRA TTT
29	11013386	COPERCHIO X DEVIATORE PHEDRA TTT	COVER FOR SWITCH PHEDRA TTT	COUV.DEVIATEUR PHEDRA TTT	PRODUKTBEHÄLTER DOPPELT KOMPLETT	AS.CONT.DOPPIO C/AG.DEV.DX PHEDR
30	11034361	ASS.CONTENTITORE SOLUBILE	PHEDRA TTT ASSEMBLED DOUBLE TANK	DOUBLE BAC ASSEMBLE	ASS.CONTENTITORE SOLUBILE	ASS.CONTENTITORE SOLUBILE
31	11007972	ASS.CONTENTITORE SOLUBILE	ASSEMBLY SOLUBLES CONTAINER	ENSEMBLE CONTAINER SOLUBLES	DECKEL ZU PRODUKTBEHÄLTER	COPERCHIO CONTENITORE SOLUBILE
32	11007974	COPERCHIO CONTENITORE SOLUBILE	COVER CONTAINER SOLUBLE	COUVERCLE CONTAINER	Grundträger Einzelbehälter	COPERCHIO CONTENITORE SOLUBILE
33	11007974	BASE CONTENITORE SOLUBILE	BASE CONTAINER SINGLE SOLUBLE	BAC SOLUBLE	Boizen zu Laufrad Produktbehälte	BASE CONTENITORE SOLUBILE SINGOL
34	11001576	PERNO RUOTA DENTATA CONT.SOLUB.S	PIN WHEEL CONTAINER SINGLE SOLUB	AXE CANNELE		PERNO RUOTA DENTATA CONT.SOLUB.S
35	11001580					



Phedra EVO

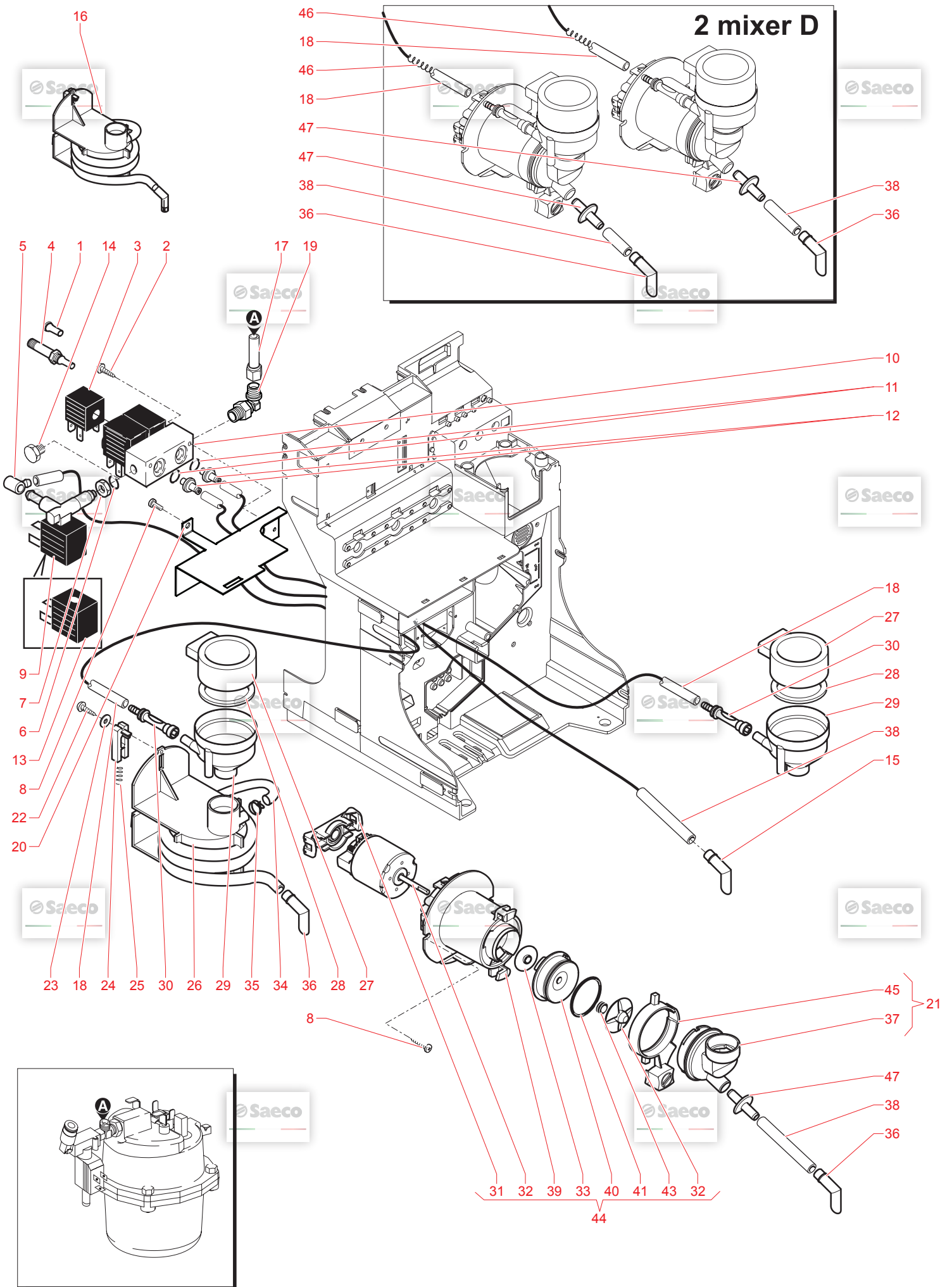
14/03/2019

05

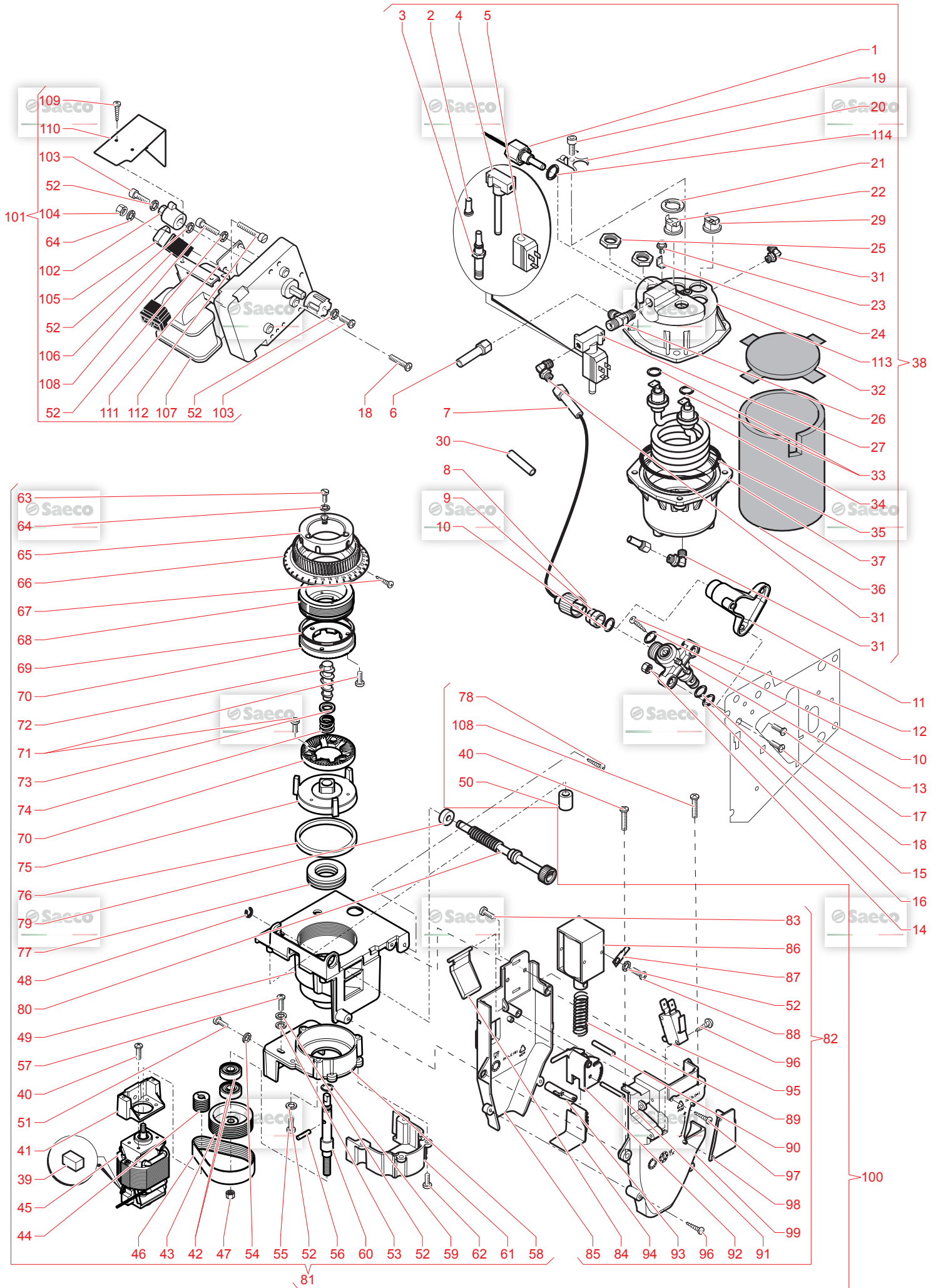
E019.044

GAGGIO MONTANO

© by Saeco, a company of Evoca Group

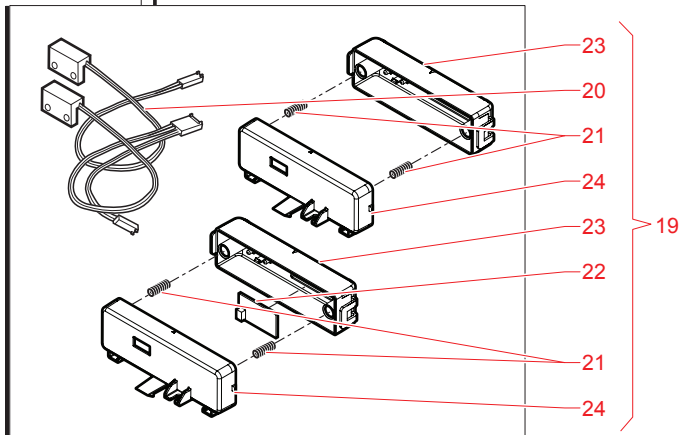
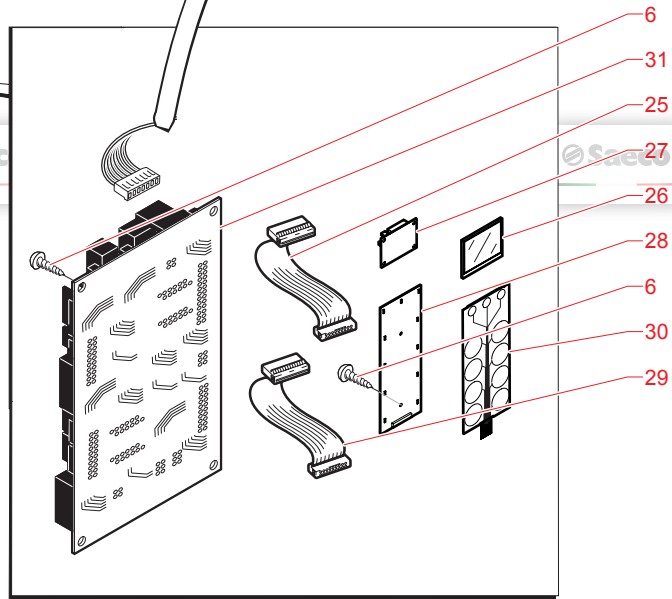
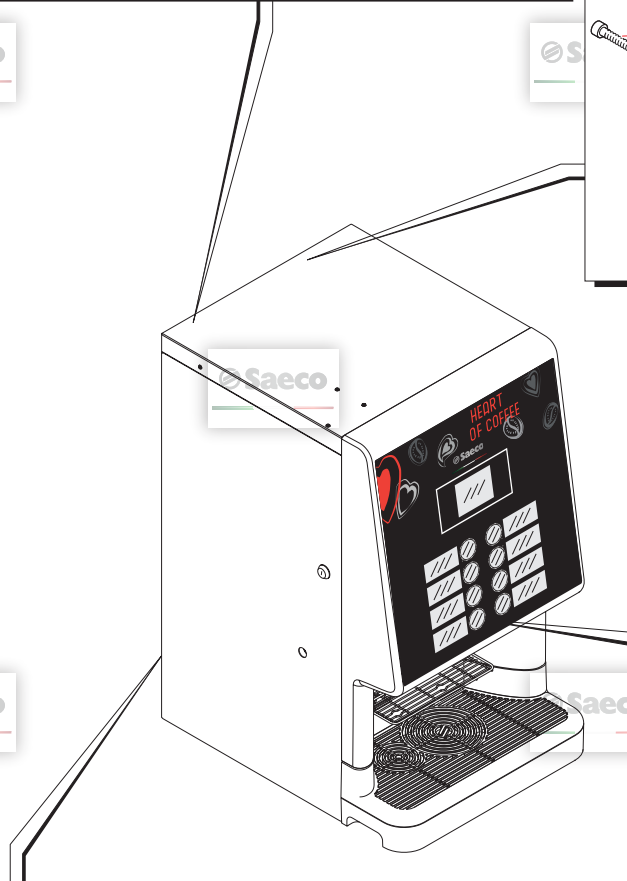
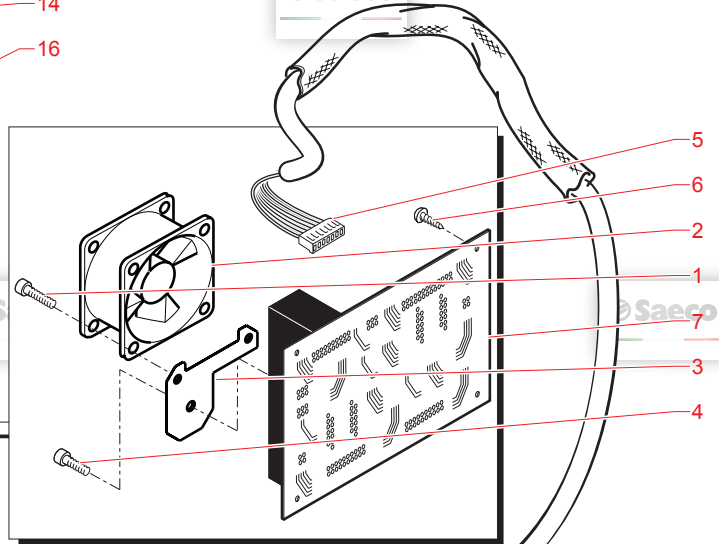
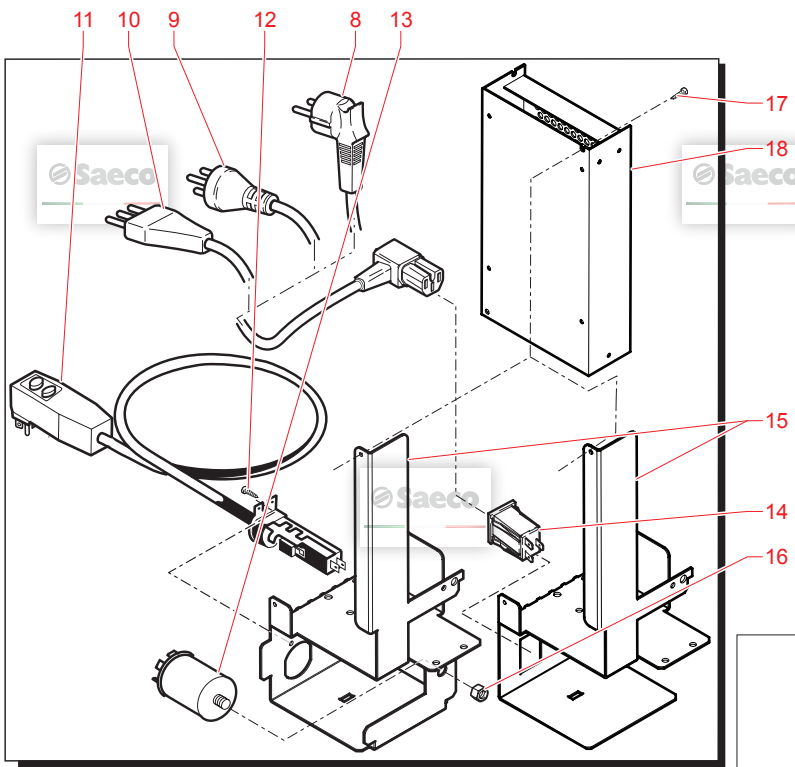


N.POSI COD	I - DESCRIZIONE	UK - DESCRIPTION	F - DESCRIPTION	D - BEZEICHNUNG	E - DESCRIPCION
1	20007305	RIC. NUCLEO EVT HS1 11023762	SPARE EV MOBILE CORE 11023762	RIC. NUCLEO EVT HS1 11023762	RIC. NUCLEO EVT HS1 11023762
2	U109.021	VITE AUT.TCB 3.5X22 DIN 7981 C N	SOLENOID X HS1 11023762	BOBINE ELECTROVANN.HS1 11023762	VITE AUT.TCB 3.5X22 DIN 7981 C N
3	20005373	ASS.NUCLEO FIS+MOB.X 11009225	ASS.NUCLEO FIS+MOB.X 11009225	NUCLEUS MOB. 6000BH/BODN X 11009	RIC. BOBINA EVT HS1 11023762
4	147920150	RAC.INGRESSO A 90° POMPA NEU.	90° INLET PUMP CONNECTOR	RACCORD 90° CAOUTCCHOUC	ASS.NUCLEO FIS+MOB.X 11009225
5	9991.035	OR 2018 SILICONE	O-RING 2018 SILICONE	JOINT 2018	RAC.INGRESSO A 90° POMPA NEU.
6	147920150	DADO 1/8 H.4.5	NUT 1/8 H.4.5	ECROU 1/8 H.4.5	OR 2018 SILICONE
7	U116.006	VITE AUT.PT TCB 3.5X12 WN 1441 Z	SCREW AUT.PT TCB 3.5X12 WN 1441	VIS AUTPT TCB 3.5X12	DADO 1/8 H.4.5
8	11027286	ELETTROVALVOLA 2 VIE DC BOBINA GI	ELETTROVALVE 2V DC TEA	ELECTROVANNE 2V/DC TEA	VITE AUT.PT TCB 3.5X12 WN 1441 Z
9	11026112	BLOCC.H. ELETTROV.3 VIE 24V DC PH	2 EV 3 WAYS 5P07 BLOCK TEA	BLOC 2 ELECTROVS. 3 VOIES 24V DC	ELETTROVALVOLA 2 VIE 24V DC TEA
10	11026112	OR 2025 SILICONE	OR 2025 SILICONE	JOINT 2025	BLOCC.H. ELETTROV.3 VIE 24V DC PH
11	11011.004	RACCORDO PORTAGOMMA TEA	RUBBER HOLDER CONNECTOR TEA	RACCORD TEA	OR 2025 SILICONE
12	11011.453	BOBINA X ELETTROV. 2 VIE	COIL FOR SOLENOID VALVE 2 WAY	BOBINE POUR ELECTROVANNE 2 VOIES	RACCORDO PORTAGOMMA TEA
13	0862.R03	TAPPO OTTONE 1/8 GAS CONICO TEA	BRASS CAP 1/8 GAS CONICAL TEA	BOUHLATON 1/8 GAS CONIQ TEA	BOBINA X ELETTROV. 2 VIE
14	12001169	UGELLO ACQUA CALDA	NOZZLE HOT WATER	NOZZLE HOT WATER	UGELLO ACQUA CALDA
15	11033591	ASS.MIXER THE 'A SPIRALE 5P07	ASS MIXER THE '5P07	MIXER COMPLET	UGELLO ACQUA CALDA
16	11008891	"ASS.TUBO TEFLON 3X6 L.220 1/8"-1"	"TEFLON TUBE 3X6 L.220 1/8"-1/8"	"TUBE TEFLON 3X6 L.220 1/8"-1/8"	ASS.MIXER THE 'A SPIRALE 5P07
17	11025301	TUBO SILICONE 5X10 L.2000MM	SILICONE TUBE 5X10 L.2000MM	TUBE SILICONE 5X10 L=2000 MM	"ASS.TUBO TEFLON 3X6 L.220 1/8"-1"
18	9972.246	RACCORDO BICONO A L M 1/8X06 OTT	BICONICAL CONNECT. L M 1/8X06 TE	RACCORD 90° LM 1/8°06 OTT. TEA	TUBO SILICONE 5X10 L=2000 MM
19	12001181	SUPP.BLOCCHETTO 2EV+EVH2O	SUPPORT	SUPPORT	RACCORDO BICONO A L M 1/8X06 OTT
20	11033393	ASS.CORPO MIX	MIX CASING ASS.	KIT MIXEUR COMBI	SUPP.BLOCCHETTO 2EV+EVH2O
21	9110.027.060	VITE AUT.PT TCB 3.0X8 WN 1441 ZN	screw AUT.PT TCB 3.0X8 WN 1441	VIS DE FIXATION	ASS.CORPO MIX
22	U116.005	ROSETTA PIANA 4.3X16 UNI 6592 ZN	PLAIN WASHER 4.3X16 UNI 6592 GAL	RONDELL 4.3*16 UNI6592ZNP	VITE AUT.PT TCB 3.0X8 WN 1441 ZN
23	U207.004	CURSORE X FISSAGGIO MIX A SPIRAL	CURSOR FOR SPIRAL MIXER FIXING	CURSEUR X FISSAGIO MIX A SPIRALE	ROSETTA PIANA 4.3X16 UNI 6592 ZN
24	9111.209.060	MOLLA X CURSORE MISCELATORE	SPRING FOR MIXER CURSOR	RESSORT DE CURSEUR	CURSORE X FISSAGGIO MIX A SPIRAL
25	9111.211	MISCELATORE THE 'X TUBO 11 MM	RAPID FIXING MIXER	PIECE SUPPORT MIXER	MOLLA X CURSORE MISCELATORE
26	9111.643.060	COPERCHIO X IMBUTO MARRON	LID FOR FUNNEL BROWN	BOL. PROD LYOHPLISE SEC	MISCELATORE THE 'X TUBO 11 MM
27	9111.010.060	GUARNIZIONE X IMBUTO MARRON	SEAL FOR FUNNEL BROWN	RONDELLE DE BOL	COPERCHIO X IMBUTO MARRON
28	9111.010.060	IMBUTO X POLVERI MARRON	FUNNEL FOR POWDERS BROWN	BOL. PROD LYOH+HUMIDE	GUARNIZIONE X IMBUTO MARRON
29	1111.009.060	ASS.UGELLO ESPRESSO	ESPRESSO NOZZLE	RACCORD TUBE	IMBUTO X POLVERI MARRON
30	1863.A07	AGG.MOTORE ARANCIO RAL2004 MIXER	MOTOR COUPLING ORANGE RAL	AGG.MOTORE ARANCIO RAL2004 MIXER	ASS.UGELLO ESPRESSO
31	9111.771.270	MOTORE MIXER '05 24V DC - M.B.T.	MIXER MOTOR '05 24V DC	MOTEUR MIXEUR '05 24V DC	AGG.MOTORE ARANCIO RAL2004 MIXER
32	9121.248.00P	ANELLO PROTEZIONE MOTORE MIXER '1	MOTOR PROTECTION RING	ANNEAU DE PROTECTION MOTEUR MIXE	MOTORE MIXER '05 24V DC - M.B.T.
33	9111.773.060	TUBO SILICONE 7X11 L.2000MM	SILICONE TUBE 7X11 L.2000MM	TUBE SILICONE 8X12	ANELLO PROTEZIONE MOTORE MIXER '1
34	9972.055	FASCETTA STRINGITUBO D. 11.6/12.	HOSE CLAMP D. 11.6/12.3	ATTACHE D. 11.6/12.3	TUBO SILICONE 7X11 L.2000MM
35	NV99.072	UGELLO	NOZZLES	BEC DE SORTIE COUDE	FASCETTA STRINGITUBO D. 11.6/12.
36	1813.109.050	CORPO MIXER	MIXER CASING	CORPS MIXEUR 5P LYO	UGELLO
37	9111.227.060	TUBO SILICONE 5X8 L.2000MM	SILICONE TUBE 5X8 L.2000MM	TUBE SILICONE MARRON L2M 5X8	CORPO MIXER
38	9972.057	FLANGIA MIXER '05	MIXER FLANGE	CORPS DE MIXER '05	TUBO SILICONE MARRON 5X8 L.2000
39	9111.769.150	COPERTURA FLANGIA MIXER '05	COVER MIXER FLANGE	COLLERETTE COUVERCLE MIXER	FLANGIA MIXER '05
40	9111.770.060	OR ORM 0320-25 NBR	OR ORM 0320-25 NBR	JOINT 0320-25 NBR	COPERTURA FLANGIA MIXER '05
41	NM03.012	VENTOLINA A DISCO MIXER '05	DISK FAN	DISQUE INTERMEDIAIRE	OR ORM 0320-25 NBR
42	9111.772.060	V-RING MIXER '05	V-RING MIXER '05	JOINT MIXEUR '05	VENTOLINA A DISCO MIXER '05
43	NM05.015	ASS.MIXER '05 24V DC	ASS MIXER '05 24V DC	MIXEUR COMPLET 24V DC	V-RING MIXER '05
44	91110.160.06P	GHIERA BLOCCAGGIO MIXER ARANCIO	MIXER LOCKING RING NUT ORANGE RA	BAGUE DE BLOCAGE MIXEUR	ASS.MIXER '05 24V DC
45	9111.230.270	MOLLA X TUBO PRODOTTI L.85.5MM	SPRING FOR TUBE L.85.5MM	RESSORT DE TUBE	GHIERA BLOCCAGGIO MIXER ARANCIO
46	11013722	MANICOTTO PORTATUBO STANDARD	STD TUBE HOLDER SLEEVE	RACCORD TUBE	MOLLA X TUBO PRODOTTI L.85.5MM
47	9111.232.060				MANICOTTO PORTATUBO STANDARD

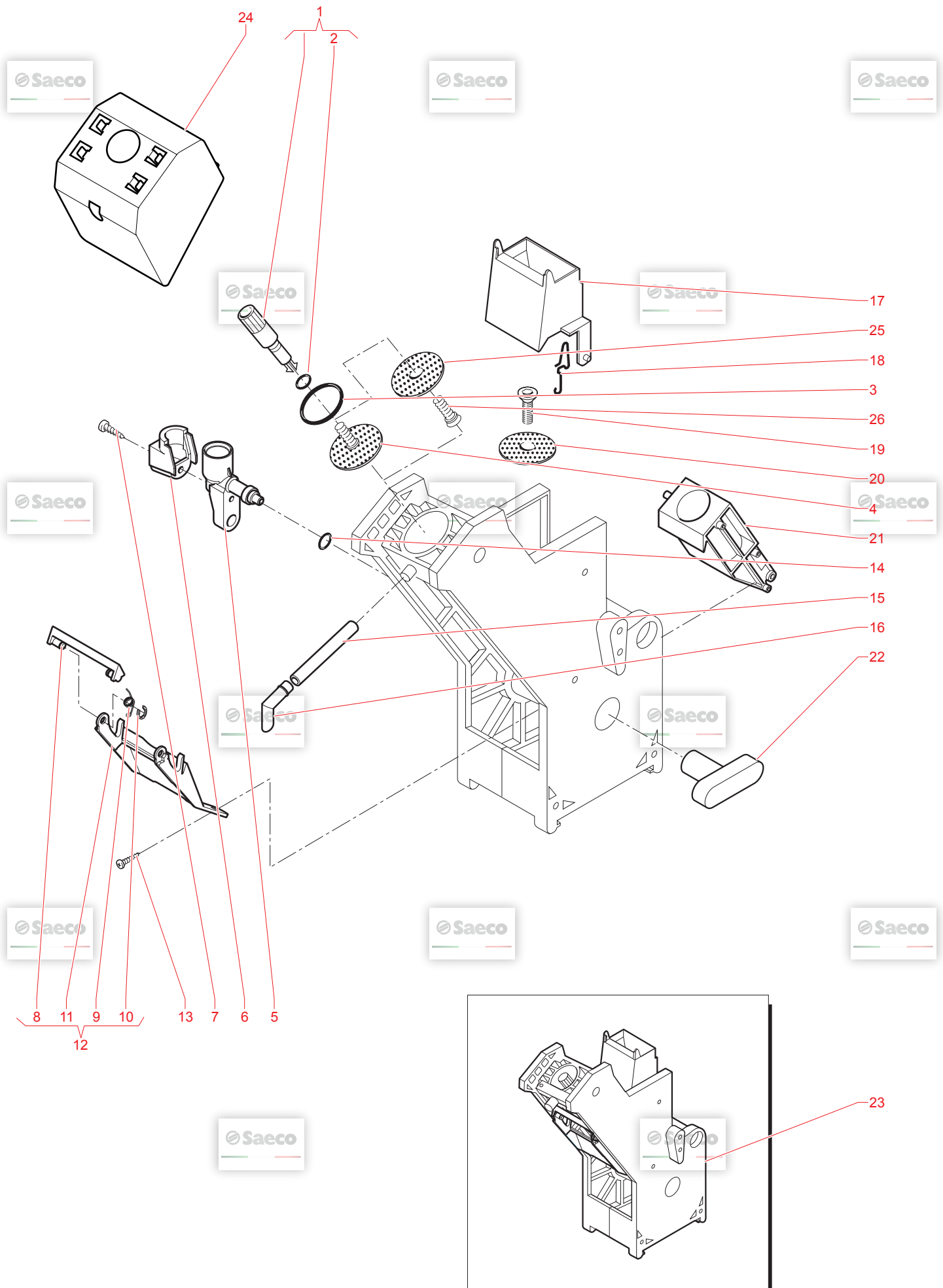


N.POSI	COD	I - DESCRIZIONE	UK - DESCRIPTION	F - DESCRIPTION	D - BEZEICHNUNG	E - DESCRIPCION
1	11033134	ASS.SONDA TEMPERATURA AD IMMERSI RIC.NUCLEO EVT ODE	IMMERSION PROBE SPARE CORE EV ODE	SONDE IMMERGEE NOYAU RUBIS ELECTROVANNNE ODE	Tauchsonde/ Temp.fühler SPARE CORE EV ODE	ASS.SONDA TEMPERATURA AD IMMERSI RIC.NUCLEO EVT ODE
2	20007362	RIC.CANNOTTO EVT ODE	SPARE EVT ODE	CANAL ELECTROVANNNE ODE	SPARE EVT ODE	RIC.CANNOTTO EVT ODE
3	20007363	RIC. EVT SIBOB. EVT 11032408	SPARE EVT 11032408	ELECTROVANNNE SEULE 11032408 HS1	SPARE EVT 11032408	RIC. EVT SIBOB. EVT 11032408
4	20007364	RIC. BOBINA EVT ODE	SOLENOID EVT ODE	BOBINE ELECTROVANNNE ODE	SPARE EVT ODE	RIC. BOBINA EVT ODE
5	11025296	"ASS.TUBO TEFLON 3x6 L.250 1/8"-1/8"	"TEFLON TUBE 3x6 L.250 1/8"-1/8"	"ENS.TUBE TEFLON 3x6 L.250 1/8"-1"	"TEFLON TUBE 3x6 L.250 1/8"-1/8"	"ASS.TUBO TEFLON 3x6 L.250 1/8"-1"
6	11025296	"ASS.TUBO TEFLON 3x6 L.250 1/8"-1"	TUBE ASSEMBLY TEFLON 3x6 L.250MM	ENS.TUBE TEFLON 3x6 L.250 1/8"-1"	TUBE ASSEMBLY TEFLON 3x6 L.250MM	"ASS.TUBO TEFLON 3x6 L.250 1/8"-1"
7	11025406	ASS.TUBO TEFLON 3x6 L.250 GODRONE GODRONE FEMMINA M14	KNURLER FEMALE HAND BOLT M14 CONNECTOR D.6	ECROU M14 OGIVE EXTERNE D.6	ECROU M14 OGIVE EXTERNE D.6	ASS.TUBO TEFLON 3x6 L.250 GODRONE GODRONE FEMMINA M14
8	11005743	BOCCOLA ESTERNA D.6 X GODRONE OR 2018 SILICONE	O-RING 2018 SILICONE	OGIVE EXTERNE D.6	OGIVE EXTERNE D.6	BOCCOLA ESTERNA D.6 X GODRONE OR 2018 SILICONE
9	140321462	MANICOTTO OTTX CIRCUITO TTT PHE VITE AUT.TCB 4.8X13 DIN 7981 C N	PHEDRA TTT SLEEVE screw AUT.TCB 4.8X13 DIN 7981 C	MANCHON LAITON CIRCUIT TTT PHE VITE AUT.TCB 4.8X13 DIN 7981 C N	PHEDRA TTT SLEEVE screw AUT.TCB 4.8X13 DIN 7981 NIK	MANICOTTO OTTX CIRCUITO TTT PHE VITE AUT.TCB 4.8X13 DIN 7981 C N
10	11013431	PERNO X MANICOTTO	PIN FOR MUFF	PIPETTE DE CHAUDIERE	Ventilzapfen C600	PERNO X MANICOTTO
11	11013431	DADO ESAGONALE M4 UNI 5689 ZN OR ORM 0090-20 FKM 80 FD VERDE P OR ORM 0050-20 FKM 80 FD VERDE P	GALVNUIT HEXAGONAL M4 UNI 5689 Z OR ORM 0090-20 FKM 80 FD GREEN P OR ORM 0050-20 FKM 80 FD GREEN P	ECROU HEXAGONAL M4 UNI 5689 ZN JOINTS ORM 0090-20 FKM 80 FD VER JOINTS ORM 0050-20 FKM 80 FD VER	Mutter M4 UNI 5689 ZN O-Ring 0090-20 FKM 80 FD grün V O-Ring 0050-20 FKM 80 FD grün V	DADO ESAGONALE M4 UNI 5689 ZN OR ORM 0090-20 FKM 80 FD VERDE P OR ORM 0050-20 FKM 80 FD VERDE P
12	11013173	VITE TSPC M4.0X25 UNI 7688 ZNP	screw TSPC M4.0X25 UNI 7688 GALV.	VIS TSPC M5.0X8 UNI 7688 GALV.	Vis TSPC M5.0X8 UNI 7688 GALV.	VITE TSPC M4.0X25 UNI 7688 ZNP
13	U044.022	VITE TSPC M4.0X12 UNI 7688 ZNP	screw TSPC M4.0X12 UNI 7688 GALV.	VIS M4.0X12 UNI 7688 GALV.	Vis M4.0X12 UNI 7688 GALV.	VITE TSPC M4.0X12 UNI 7688 ZNP
14	U044.011	VITE TCEI M4.0X6 UNI 5931 8.8 ZI	SCREW TCEI M4.0X6 DIN 912 ZIN	VIS TCEI M4.0X6 UNI 5931 ZIN	Vis TCEI M4.0X6 UNI 5931 ZIN	VITE TCEI M4.0X6 UNI 5931 8.8 ZI
15	12001052	MOLLA FERMA 3 TERMOSTATI	RETAIN.SPRING 3 THERM. -1 THERMAL	RESSORT THERMOSTATIQUE	Thermosisthaleteder 3 Thermosisthaleteder 3	MOLLA FERMA 3 TERMOSTATI+TERMOFU RONDELLA FERMATERMOSTATI
16	226830200	RONDELLA FERMATERMOSTATI	THERMOSTAT FIXING WASHER	RONDELLE DE THERMOSTAT	Thermosisthaleteder 3 15mm	RONDELLA FERMATERMOSTATI
17	NE09.021	TERMOSTATO 150°NC FASTON 90°	THERMOSTAT 150°NC FASTON 90°	HERMOSTAT 150	Thermosisthaleteder 3	TERMOSTATO 150°NC FASTON 90°
18	U023.020	VITE TCEI M6X20 UNI 5931 8.8 ZIN	SCREW TCEI M6X20 UNI 5931 ZIN	HERMOSTAT 150	VITE M6X20	VITE TCEI M6X20 UNI 5931 8.8 ZIN
19	NE15.031	LINGUETTA MASCHIO PIANA 6.3 D.6.	MALE TONGUE PLAIN 6.3 D.6.3		Zylinderansch. M6X20 DIN 912 verz	LINGUETTA MASCHIO PIANA 6.3 D.6.
20	9991.029	DADO X RESISTENZA	NUT FOR RESISTOR		Schutzleiteranschluss zu Schraube	DADO X RESISTENZA
21	11011454	RACCORDO A T X CALDAIA TEA	"*****" CONNECTOR FOR BOILER TEA T*****	ECROU DE LA RESISTANCE	Schichtanknutter zur Heizschlange	RACCORDO A T X CALDAIA TEA
22	11032408	ELETTROVALVOLTA ODE 3 VIE 24V DC	ELECTROVALVE ODE 3 WAYS 24V DC	ELECTROVANNNE ODE 3 VOIES 24V DC	Elektroventil ODE P8 24V DC	ELETTROVALVOLTA ODE 3 VIE 24V DC
23	11025295	"ASS.TUBO TEFLON 3x6 L.170 1/8"-1/8"	"TEFLON TUBE 3x6 L.170 1/8"-1/8"	"ENS.TUBE TEFLON 3x6 L.170 1/8"-1"	Teflonschlauch 3x6 / f=170mm 1/8	"ASS.TUBO TEFLON 3x6 L.170 1/8"-1"
24	11025301	"ASS.TUBO TEFLON 3x6 L.220 1/8"-1/8"	"TEFLON TUBE 3x6 L.220 1/8"-1/8"	"TUBE TEFLON 3x6 L.220 1/8"-1/8"	Teflonschlauch 3x6 / f=220mm 1/8	"ASS.TUBO TEFLON 3x6 L.220 1/8"-1"
25	11028994	"ASS.TUBO TEFLON 3x6 L.150 1/8"-1"	"TEFLON TUBE 3x6 L.120 1/8"-1/8"	"TEFLON TUBE 3x6 L.150 1/8"-1/8"	"TEFLON TUBE 3x6 L.120 1/8"-1/8"	"ASS.TUBO TEFLON 3x6 L.150 1/8"-1"
26	11034432	TERMOSTATO 175° INT-15L-5126	THERMOSTAT 175° INT-15L-5126		Thermosisthaleteder Office One	TERMOSTATO 175° INT-15L-5126
27	189428700	ASS.TUBO TEFLON 3x6 L.400 MM 1/8	"TUBE ASS. TEFLON 4x6 L.400 MM 1/8"	"ENS.TUBE TEFLON 3x6 L.400 MM 1/8"	"TUBE TEFLON 4x6 L.400 MM 1/8"	ASS.TUBO TEFLON 3x6 L.400 MM 1/8
28	11025342	RACCORDO BICONO AL M 1/8X06 OTT	BICONICAL CONNECT. L M 1/8X06 TE	RACCORDO 90° LM 1/8"06 OTT. TEA	"Verschraubung 90°-1/8"-x06 P7 TEA"	RACCORDO BICONO AL M 1/8X06 OTT
29	12001181	ISOLANTE SUP.CALDAIA 300CC VENDI	COFFEE BOILER 600CC UPPER ISOLAT	ISOLANT CHAUDIERE	ISOLATION	ISOLANTE SUP.CALDAIA 300CC VENDI
30	11030772	RES.CALD. 230V 1400W INC.800	RES. CALD. V230 W1400 INC.800	JOINT OR 3050 FKM 80 FD PEROXIDI	O-Ring 3050 PEROXID	RES.CALD. 230V 1400W INC.800
31	11030772	RES.CALD. 230V 1400W INC.800	RES. CALD. V230 W1400 INC.800	RESISTANCE 230V 1400W INC.800	Heizung 230V 1400W Idea	RES.CALD. 230V 1400W INC.800
32	11033952	RES.CALD. 120V 1400W INC.800	RES. CALD. V230 W1400 INC.800	RESISTANCE 230V 1400W INC.800	Heizungschraube Boiler V230 W1400 1	RES.CALD. 120V 1400W INC.800
33	NM04.010	OR ORM 0730-40 FPM 70 +5 IRHD N	OR ORM 0730-40 FPM 70+5 IRHD BL	JOINT DE CHAUDIERE OR ORM 0730-40	O-Ring 0730-40 Viton 75 FDA	OR ORM 0730-40 FPM 70 +5 IRHD N
34	11030779	ISOLANTE PERIMETR.CALDAIA 300CC	COFFEE BOILER 600CC UPPER ISOLAT	ISOLANT CHAUDIERE	ISOLATION	ISOLANTE PERIMETR.CALDAIA 300CC
35	11033133	CORPO INFERIORE CALDAIA 300CC TE	LOWER CASING BOILER 300CC TEA	ENS. CHAUDIERE PHERA 300CC 230V	LOWER CASING BOILER 300CC TEA	CORPO INFERIORE CALDAIA 300CC TE
36	11033133	ASS.CALDAIA CAPPUCCINO 300CC 230	BOILER CAPPU. PHERA 300CC 230V	ENS. CHAUDIERE PHERA 300CC 230V	Boiler kpit. Phedra 300CC 230V 1	ASS.CALDAIA CAPPUCCINO 300CC 230
37	11033984	ASS.CALDAIA CAPPUCCINO 300CC 120	BOILER PHERA 300CC 120V 1400W	ENS. CHAUDIERE PHERA 300CC 120V	Boiler kpit. Phedra 300CC 120V 1	ASS.CALDAIA CAPPUCCINO 300CC 120
38	11034282	ASS.CALDAIA 300CC 230V 1400W	BOILER PHERA 300CC 230V 1400W	ENS. CHAUDIERE PHERA 300CC 230V	Boiler kpit. Phedra 300CC 230V 1	ASS.CALDAIA 300CC 230V 1400W
39	11034283	ASS.CALD.PHERA EVO WT 300CC 230	BOILER PHERA 300CC 230V 1400W	ENS. CHAUDIERE PHERA 300CC 230V	Boiler kpit. Phedra 300CC 230V 1	ASS.CALD.PHERA EVO WT 300CC 230
40	11034430	ASS.CALD.PHEVO CAPP WT 300CC 23	BOILER WT CAPPULI. PHERA 300CC 23	BOILER WT CAPPULI. PHERA 300CC 23	Boiler WT CAPPULI. PHERA 300CC 23	ASS.CALD.PHEVO CAPP WT 300CC 23
41	20007420	SPAZZOLA MOTORE MACINACAFFE NEW	MOTOR BRUSH	BROCHE DE MOTEUR	Kohle Mahlwerkmotor	SPAZZOLA MOTORE MACINACAFFE
42	11027163	VITE TCB M4X12 ZN-B	SCREW TCB TORX 20 M4X12 ZN-B	VIS TCB M4X12 ZN-B	Schraube 3.5x48x28 TORX	VITE TCB M4X12 ZN-B
43	11025696	RAGNO SUPPORTO MOTORE MACINE D.4	MOTOR SUPPORT GRINDERS D.48	SUPPORT MOULIN CAFE	MOTOR SUPPORT GRINDERS D.48	RAGNO SUPPORTO MOTORE MACINE D.4
44	11025696	CUSCINETTO RADIALE A SFERE RTP 6	BEARING RTP 608-22	TAMPON RADIAL A SFERE RTP 608-22	BEARING RTP 608-22	CUSCINETTO RADIALE A SFERE RTP 6
45	11025688	"PULLEGIA D.40 "MAGINE 48"*****	"PULLEY D.40 "GRIND 48"*****	"POULIE D.40 "MACHINE 48"*****	"PULLEY D.40 "GRIND 48"*****	"PULLEGIA D.40 "MAGINE 48"*****
46	11025690	"PULLEGIA D.15 "MAGINE 48"*****	"PULLEY D.15 "GRIND 48"*****	"POULIE D.15 "MACHINE 48"*****	"PULLEY D.15 "GRIND 48"*****	"PULLEGIA D.15 "MAGINE 48"*****
47	11027396	MOTORE MACINACAFFE D.48 230V	COFFEEGRINDER MOTOR D.48 230V	MOTORE MACINACAFFE D.48 120V	COFFEEGRINDER MOTOR D.48 230V	MOTORE MACINACAFFE D.48 230V
48	11027396	MOTORE MACINACAFFE D.48 120V	COFFEEGRINDER MOTOR D.48 120V	MOTORE MACINACAFFE D.48 120V	COFFEEGRINDER MOTOR D.48 120V	MOTORE MACINACAFFE D.48 120V
49	11032130	CINGHIA MULTITRAPEZOIDALE ELASTI	BELT GRINDER COFFEE	COURROIE MULTITRAPEZOIDALE	BELT GRINDER COFFEE	CINGHIA MULTITRAPEZOIDALE ELASTI
50	U310.004	DADO AUTOBLOC.M6 UNI 7473 ZNP	nut SELF LOCK.M6 UNI 7473	ECROU AUTOBLOC.M6. UNI 7473 ZNP	Schichtanknutter M6 DIN 985 verz.	DADO AUTOBLOC.M6 UNI 7473 ZNP
51	U701.011	ANELLO ELASTICO 5 UNI 7434 ACC.	STEEL SNAP RING 5 UNI 7434	ANNEAU	Sicherungsring ø5 elastisch	ANELLO ELASTICO 5 UNI 7434 ACC.
52	11027162	CALOTTA MACINE D.48	GRINDERS CAP D.48	CALOTTE MOULIN D.48	GRINDERS CAP D.48	CALOTTA MACINE D.48
53	1813.046.050	GOMMINO SUPPORTO MACININO	RUBBER GRIND SUPPORT	GOMME SUPPORT MEULE	Distanzgumm zu Mahlwerk	GOMMINO SUPPORTO MACININO
54	128310404	VITE TCEI M6.0X12 UNI 5931 GALV	screw TCEI M6.0X12 UNI 5931 GALV	VIS TCEI M6.0X12 UNI 5931 ZIN	Schraube M6X12 UNI 5931 GALV.	VITE TCEI M6.0X12 UNI 5931 GALV
55	U207.004	ROSETTA UNI 8842 A4 BRUNITA	WASHER UNI 8842 A4 BURNISHED	RONDELLE UNI 8842 A4	Fächerschleibe A4, 3.DIN 6798 verz	ROSETTA UNI 8842 A4 BRUNITA
56	U208.006	ROSETTA PIANA 4.3X16 UNI 6592 ZN	PLAIN WASHER 4.3X16 UNI 6592 GAL	RONDELLE 4.3*16 UNI6592ZNP	Unterflächschleibe 4,3x16 UNI 5931	ROSETTA PIANA 4.3X16 UNI 6592 ZN
57	12001700	ROSETTA DENT. 6.4X11 UNI 3703 BR	TOOTHED WASHER 6.4X11 UNI 3703	RONDELLE 6.4X11	Zahnflächschleibe ø6,4x11	ROSETTA DENT. 6.4X11 UNI 3703 BR
58	11025921	VITE TCB M4X30 UNI 7687 ZNP	SCREW TCB M4X30 UNI 7687 ZNP	VIS TCB M4X30 UNI 7687 ZNP	Schraube TCB M4X30 UNI 7687 ZNP	VITE TCB M4X30 UNI 7687 ZNP
59	12002052	SPINA C/INTAGLI CENT.UNI-EN 2874	POWER PLUG UNI-EN 28743 D.3X14	RIVET UNI-EN 28743 D.3X14	Power Plug UNI-EN 28743 D.3x14	SPINA C/INTAGLI CENT.UNI-EN 2874
60	11027164	VITE TCB M4X16 ZN-B	ZIN-B TCB SCREW M4X16	VIS TCB M4X16 UNI7687ZNP	Schraube TCB M4X16 UNI7687ZNP	VITE TCB M4X16 ZN-B
61	140321662	MOTOR SUPPORTO MOTORE MACINE D.48 OR 2021 SILICONE	MOTOR SUPPORT GRINDERS D.48 O-RING 2021 SILICONE	COQUE SUPPORTO MOTEUR JOINT OR 2021	MOTOR SUPPORT GRINDERS D.48 O-Ring 2021 Silicon	MOTOR SUPPORTO MOTORE MACINE D.48 OR 2021 SILICONE

N.POSI COD	I - DESCRIZIONE	UK - DESCRIPTION	F - DESCRIPTION	D - BEZEICHNUNG	E - DESCRIPCION	NOTE
60	11025693	"PERNO CENTRALE ""MACINE 48""	"CENTRAL PIN ""GRIND 48""	PIVOT CENTRAL	"PERNO CENTRALE ""MACINE 48""	
61	11027186	GUSCIO CHIUSURA CINGHIA	SHELL CLOSURE BELT	FERMETURE BANDE	VITE TAP.TTCB M4,0X10 DIN 7500C	
62	U127.010	VITE TAP.TTCB M4,0X10 DIN 7500C	screw TAP.TTCB M4,0X10 DIN 7500C	VITE TAP.TTCB M4,0X10 DIN 7500C	VITE TAP.TTCB M4,0X10 DIN 7500C	
63	U043.023	VITE TCBC M3,0X18 UNI 7687 ZNP	screw TCBC M3,0X18 UNI 7687 GALV	VIS TCBC M3,0X18 UNI 7687 ZNP	VITE TCBC M3,0X18 UNI 7687 ZNP	
64	U1038.110	ROSETTA DENT. 3.3X5,8 UNI 3703	TOOTHED WASHER 3.3X5.8 UNI 3703	RONDELLE DENT. 3.3X5.8 UNI 3703	ROSETTA DENT. 3.3X5.8 UNI 3703 Z	
65	11032110	BOCCOLA X GHIERA REGOLAZ.MACINAC	BUSH	BUSH	BOCCOLA X GHIERA REGOLAZ.MACINAC	
66	11032640	ASS.GHIERA BLOCCATA X ATL700 TTT	STOP GRIND X ATL700 TTT D.48	BAGUE D.48	ASS.GHIERA BLOCCATA X ATL700 TTT	
67	18.13.103.A20	ASS.GHIERA DI REGOLAZIONE MACINE	RING NUT OF GRIND REGULATION	BAGUE DE REGLAGE	ASS.GHIERA DI REGOLAZIONE MACINE	
68	U109.004	VITE AUT.TCB 4,8X9,5 DIN 7981 C	screw AUT.TCB 4,8X9,5 DIN 7981 C	VIS AUT.TCB 4,8X9,5 DIN 7981 C	VITE AUT.TCB 4,8X9,5 DIN 7981 C	
69	12025692	"PORTA MACINA SUPERIORE ""MACINE 4"	"UPPER GRINDING DISK HOLDER ""GRIN"	PORTE MEULE SUPERIEURE	"PORTA MACINA SUPERIORE ""MACINE 4"	
70	12001617	OR 3206 NBR	OR 3206 NBR	JOINT 3206	OR 3206 NBR	
71	11021838	MACINA PIANA D.48	FLAT MILL D.48 TEA	MEULE D.48 TEA	MACINA PIANA D.48 TEA	
72	U043.007	VITE TCBC M3,0X8 UNI 7687 ZNP	screw TCBC M3,0X8 UNI 7687 GALV.	VIS TCBC M3,0X8 UNI 7687 ZNP	VITE TCBC M3,0X8 UNI 7687 ZNP	
73	11025695	"VITE DI INCREMENTO ""MACINE 48""	"INCREASE SCREW ""GRIND 48""	VIS D'ENTRAINEMENT	"VITE DI INCREMENTO ""MACINE 48""	
74	11027418	SPESORE X VITE DI INCREMENTO	SPACER FOR SCREW OF INCREASE	ENTRETOISE POUR VIS DE INCREMENT	SPESORE X VITE DI INCREMENTO	
75	11025694	"MOLLA ""MACINE 48""	"SPRING ""GRIND 48""	"RESSORT ""MACINE 48""	"MOLLA ""MACINE 48""	
76	11027451	"PORTA MACINA INFERIORE ""MACINE 4"	"LOWER GRINDING DISK HOLDER ""GRIN"	"PORTE MEULE INFERIEURE ""MACINE 4"	"PORTA MACINA INFERIORE ""MACINE 4"	
77	11025699	CUSCINETTO ASSIALE A SFERE RTP 5	BEARING RTP 5/104	ANNEAU FEUTRE	CUSCINETTO ASSIALE A SFERE RTP 5	
78	U116.006	VITE AUT.PTTCB 3,5X12 WN 1441 Z	SCREW AUT.PTTCB 3,5X12 WN 1441	TAMPON AXIAL RTP 5/104	VITE AUT.PTTCB 3,5X12 WN 1441 Z	
79	18.13.159	GOMMINO ANTIVIBRAZIONE	ANTIVIBRATION RUBBER	SILENT BLOC	GOMMINO ANTIVIBRAZIONE	
80	18.13.104.A20	VITE REGOLAZIONE MACININO	ADJUSTMENT SCREW WITH TUBE HOLDE	VIS DE REGLAGE	VITE REGOLAZIONE MACININO	
81	11027165	ASS.MACINACAFFE' D. 48	COFFEE GRINDER D.48	ASS. MOULIN A CAFE D.48	ASS.MACINACAFFE' D. 48	
82	11029193	ASS.MACINACAFFE' D.48 TTT 120V 6	COFFEE GRINDER D.48 120V 60HZ	COFFEE GRINDER D.48 120V 60HZ	ASS.MACINACAFFE' D.48 TTT 120V 6	
83	11031412	ASS.MACINACAFFE' D. 48 TTT	COFFEE GRINDER D.48 TTT	COFFEE GRINDER D.48 TTT	ASS.MACINACAFFE' D. 48 TTT	
84	18.13.040.A20	GUSCIO DOSATORE	DISPENSER SHELL	CARTER DE DOSEUR	GUSCIO DOSATORE	
85	9121.235.00A	ELETTROM. PER DOSATORE CON NUCLE	ELECTROMAGNET FOR DISPENSER WITH	ELECTROAIMANT DOSEUR CAFFE SG200	ELETTROM. PER DOSATORE CON NUCLE	
86	9121.235.00F	ELETTROM. X DOSAT/NUCLEO 120V 6	ELECTROMAGNET X DISPENSER W/NUCL	NON UTILISEE PAR LA FRANCE ET LE	ELETTROM. X DOSAT/NUCLEO 120V 6	
87	9125.003	LINGUETTA MASCHIO PIANA 6,3 D.5,	MALE TONGUE PLAIN 6,3 D.5,2	LANGUETTE 6,3 D.5,2	LINGUETTA MASCHIO PIANA 6,3 D.5,	
88	129821402	VITE TCB M3X4 UNI 7687 ZNP	TCB SCREW M3X4 UNI 7687 ZNP	TCB SCREW M3X4 UNI 7687 ZNP	VITE TCB M3X4 UNI 7687 ZNP	
89	18.13.127	MOLLA X ELETTROMAGNETE DOSATORE	SPRING FOR ELECTROMAGNET	RESSORT ELECTROAIMANT	MOLLA X ELETTROMAGNETE DOSATORE	
90	18.13.092	PERNO ELETTROMAGNETE	PIN FOR ELECTROMAGNET	AXE ELECTROAIMANT	PERNO ELETTROMAGNETE	
91	18.13.091	PERNO X REGOLATORE DOSATORE	PIN FOR DISPENSER REGULATION	DOSEUR	PERNO X REGOLATORE DOSATORE	
92	18.13.043.A20	REGOLATORE DOSATORE	DISPENSER REGULATION	DOSEUR	REGOLATORE DOSATORE	
93	18.13.078.A20	LEVA REGOLAZIONE	ADJUSTMENT LEVER	LEVIER D'AJUSTEMENT	LEVA REGOLAZIONE	
94	18.13.044.A20	PALETTA X REGOLATORE	PALLET FOR REGULATION	PLAQUE	PALETTA X REGOLATORE	
95	NE05.062	MICROINTERRUTTORE C/ROTELLA	MICROSWITCH X WHEEL	MICROCONTACT	MICROINTERRUTTORE C/ROTELLA	
96	U116.004	VITE AUT.PTTCB 3,0X16 WN 1441 Z	screw AUT.PTTCB 3,0X16 WN 1441	VIS TCB 3X16	VITE AUT.PTTCB 3,0X16 WN 1441 Z	
97	12000390	VITE AUT.TCB 2,9X25 DIN 7981 C N	SCREW AUT.TCB 2,9X25 DIN 7981 C	VIS TCB 2,9X25 DIN 7981 C NIK	VITE AUT.TCB 2,9X25 DIN 7981 C N	
98	18.13.191.A20	COPERTURA DOSATORE	DISPENSER COVER	COUVERCLE DOSEUR	COPERTURA DOSATORE	
99	18.13.041.A20	GUSCIO ESTERNO DOSATORE	OUTSIDE SHELL DISPENSER	CARTER EXTERIEUR DE DOSEUR	GUSCIO ESTERNO DOSATORE	
100	11027395	ASS.MACINACAFFE' D. 48 + DOSATOR	COFFEE GRINDER D.48 + DISPENSER	MOULIN D. 48 + DOSEUR	ASS.MACINACAFFE' D. 48 + DOSATOR	
101	11030780	ASS.MACINACAFFE' D.48+DOSAT.ATL5	COFFEE GRINDER D.48 + DISPENSER	COFFEE GRINDER D.48 + DISPENSER	ASS.MACINACAFFE' D.48+DOSAT.ATL5	
102	11031411	ASS.MACINACAFFE' D.48+DOSAT.ATL5	COFFEE GRINDER D.48 + DISPENSER	COFFEE GRINDER D.48 + DISPENSER	ASS.MACINACAFFE' D.48+DOSAT.ATL5	
103	11008960	ASS.MOTORIDUTTORE 230V 5P07	RATIOMOTOR 230V 5P07	MOTOREDUCTEUR COMPLET 230V	ASS.MOTORIDUTTORE 230V 5P07	
104	11023412	MOTORID.2 POSIZ.PHEDRA TTT 120V	RATIOMOTOR PHEDRA TTT 230V	MOTORID.2 POSIZ.PHEDRA TTT 120V	MOTORID.2 POSIZ.PHEDRA TTT 120V	
105	11027117	MOTORID.2 POSIZ.PHEDRA TTT 230V	RATIOMOTOR PHEDRA TTT 230V	MOTORID.2 POSIZ.PHEDRA TTT 230V	MOTORID.2 POSIZ.PHEDRA TTT 230V	
106	11003525	CAMMA GRUPPO CAFFE FRESH BREW	CAM COFFEE GROUP FRESH BREW	CAME DE GROUPE	CAMMA GRUPPO CAFFE FRESH BREW	
107	9991.037	CAMMA X MOTORIDUTTORE 1 MICRO	CAM FOR RATIOMOTOR 1 MICRO	CAME MOTEUR REDUC.1 MICRO	CAMMA X MOTORIDUTTORE 1 MICRO	
108	129824002	VITE TCB M4X10 UNI 7687 ZNP	TCB SCREW M4X10 UNI 7687 ZNP	VIS TCB M4X10 UNI 7687	VITE TCB M4X10 UNI 7687 ZNP	
109	U302.002	DADO ESAGONALE M3 UNI 5588 ZNP	nut HEXAGONAL M3 UNI 5588 ZNP	ECROU M3 UNI 5588 ZNP	DADO ESAGONALE M3 UNI 5588 ZNP	
110	NE05.066	MICROINTERRUTTORE GROUZET	MICROSWITCH CHERRY D4190.1A	MICRO INTERRUPTEUR CROUZET	MICROINTERRUTTORE GROUZET	
111	9991.014	CARTONCINO X MICROINTERRUTTORE	CARD FOR MICRO SWITCHES	PLAQ.SUPP.MICRO INTERRUPT	CARTONCINO X MICROINTERRUTTORE	
112	11032818	MOTORIDUTT.IN PLASTICA PACCO30 23	RATIOMOTOR 30 PACK 230/240-50	MOTEUR REDUCTEUR 120/60	MOTORIDUTT.IN PLASTICA PACCO30 23	
113	129825502	VITE TCB M4X25 UNI 7687 ZNP	RATIOMOTOR 30 PACK 120/60	MOTEUR REDUCTEUR 120/60	VITE TCB M4X25 UNI 7687 ZNP	
114	129511903	VITE TCB 2,9X6,4 DIN 7981 BZ NIK	SCREW TCB 2,9X6,4 DIN 7981 BZ NIK	VIS TCB 2,9X6,4 UNI 7981 BZ NICK	VITE TCB 2,9X6,4 DIN 7981 BZ NIK	
115	11014251	SQUADRETTA RIPARO MOTORIDUTTORE	CENTRAL UNIT MOTOR STEEL CARTER	CARTER UNITE MOTEUR	SQUADRETTA RIPARO MOTORIDUTTORE	
116	11003524	PIASTRINA X MICRO	PLATE FOR MICRO	PLAQUE TTE POUR MOTO REDUCTEUR	PIASTRINA X MICRO	
117	9991.015	VITE TCI M3,0X30 UNI 6107 ZNP	screw TCI M3,0X30 UNI 6107 GALV	VIS TCI M3,0X30 UNI 6107 ZNP	VITE TCI M3,0X30 UNI 6107 ZNP	
118	U034.001	VITE TCI M3,0X20 UNI 6107 ZNP	screw TCI M3,0X20 UNI 6107 GALV	VIS TCI M3,0X20 UNI 6107 GALV	VITE TCI M3,0X20 UNI 6107 ZNP	
119	U034.003	CORPO SUPERIORE CALDAIA 300CC TEA	UPPER CASING BOILER 300CC TEA	UPPER CASING BOILER 300CC TEA	CORPO SUPERIORE CALDAIA 300CC TEA	
120	11033320	OR ORM 2043 FKM 80 FD VERDE PERO	OR ORM 2043 FKM 80 FD GREEN PERO	JOINTS ORM 2043 FKM 80 FD VERT	OR ORM 2043 FKM 80 FD VERDE PERO	

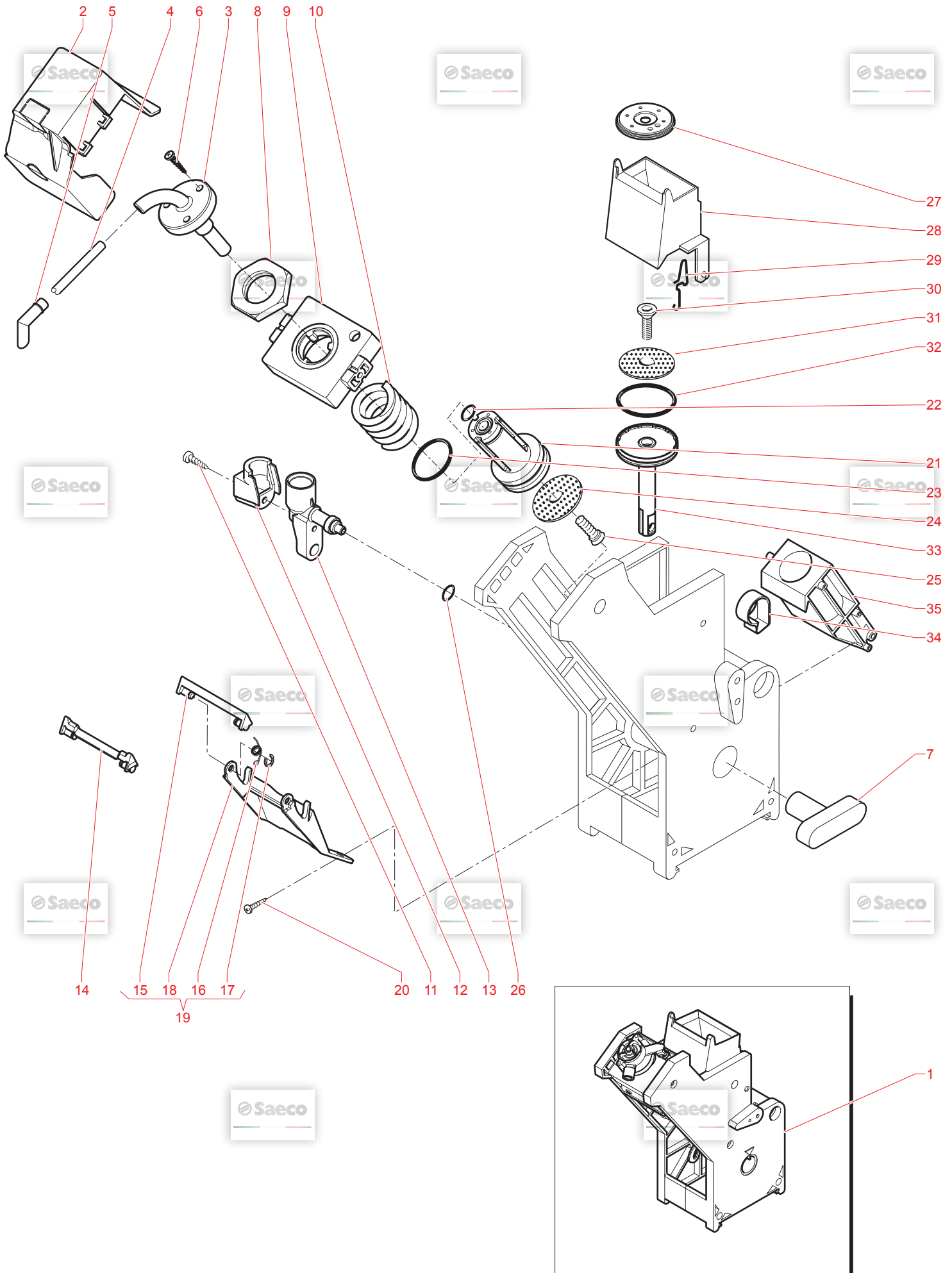


N.POSI COD	I - DESCRIZIONE	UK - DESCRIPTION	F - DESCRIPTION	D - BEZEICHNUNG	E - DESCRIPCION	NOTE
1	U143.022 VENTILATORE 40X40X20 24V	screw T.M.T. K.F.R. 3.5X9.5 ZNP FAN 40X40X20 24V	VIS T.M.T. K.F.R. 3.5X9.5 ZNP VENTILATEUR 40X40X20 24V	Schraube 3.5x9.5 ZNP Ventilator 40x40x20 24V	VITE T.M.T. K.F.R. 3.5X9.5 ZNP VENTILATORE 40X40X20 24V	120V TTT
2	11025054 CABLAGGIO COLLEGAMENTI SENSORI C	HARNES CONNECTIONS SENSORS W/TA PHEdra MAINBOARD COOLING FAN SUP	HARNES CONNECTIONS SENSORS W/TA PIASTRA SUPP.VENTOLA RAFFR.SCHED	HARNES CONNECTIONS SENSORS W/TA PIASTRA SUPP.VENTOLA RAFFR.SCHED	CABLAGGIO COLLEGAMENTI SENSORI C PIASTRA SUPP.VENTOLA RAFFR.SCHED	120V TTT
3	11024107 PIASTRA SUPP.VENTOLA RAFFR.SCHED	PIASTRA SUPP.VENTOLA RAFFR.SCHED	PIASTRA SUPP.VENTOLA RAFFR.SCHED	PIASTRA SUPP.VENTOLA RAFFR.SCHED	PIASTRA SUPP.VENTOLA RAFFR.SCHED	120V TTT
4	129511803 VITE TCB 2.9X6.4 DIN 7981 NIK	POWER SUPPLY HARNESS PW PORT PT POWER SUPPLY HARNESS PW PORT PT	CABLAGE ALIMENTATION PW PORT PT POWER SUPPLY HARNESS PW PORT PT	POWER SUPPLY HARNESS PW PORT PT POWER SUPPLY HARNESS PW PORT PT	VITE TCB 2.9X6.4 DIN 7981 NIK CABLAGGIO ALIMENTAZIONE PW PORTA CABLAGGIO ALIMENTAZIONE PW PORTA	120V TTT
5	11033995 CABLAGGIO ALIMENTAZIONE PW PORTA	POWER PHEDRA EVO	PLATINE PUISSANCE PHEDRA EVO	POWER PHEDRA EVO	VITE AUT.PT TCB 3.5X12 WN 1441 Z POWER PHEDRA EVO	120V TTT
6	U116.006 VITE AUT.PT TCB 3.5X12 WN 1441 Z	CAVO SCHUKO CON SPINA EN60320 C1	CORDON ALIMENTATION	POWER PHEDRA EVO	POWER PHEDRA EVO	120V TTT
7	11033318 POWER PHEDRA EVO	CAVO SCHUKO WITH PLUG EN60320 C	CABLE AUSTRAL. +PRISE EN60320 C1	POWER PHEDRA EVO	CAVO SCHUKO CON SPINA EN60320 C1	
8	NE01.050 CAVO AUSTRAL. CON SPINA EN60320 C1	CABLE ARGENTINA + PLUG EN60320 C13	CABLE ARGENTINA + PLUG EN60320 C13	CABLE AUSTRAL. +PRISE EN60320 C1	BLACK POWER CABLE BRAZIL L=1200	
9	NE01.053 CAVO AL.ARGENT.C/SPINA EN60320 C	BLACK POWER CABLE BRAZIL L=1200	NON UTILISE PAR LA FRANCE ET LE	Kabel 3X1 10AV/2 NER.L=1200	BLACK POWER CABLE BRAZIL L=1200	
10	178000119 CAVO AL.BRA.3X1 10AV/2 NER.L=120	CABLE SWITZERLAND WITH PLUG EN60	CABLE POUR LA SUISSE EN603	Anschlusskabel Schweiz	BLACK POWER CABLE BRAZIL L=1200	
11	NE01.051 CAVO SWIZZERA CON SPINA EN60320	POWER CABLE USA 3 POLE 15A X GFC	ENSEMBLE CABLE USA 3 POLE 15A X	POWER CABLE USA 3 POLE 15A X GFC	VITE AUT.TCB 3.9X9.5 DIN 7981 F	120V CSA TTT
12	11012009 ASS.CAVO ALIMENTAZIONE USA 3 POLI 15A	screw AUT.TCB 3.9X9.5 DIN 7981 F	VIS AUT.TCB 3.9X9.5 DIN 7981 F	Entstörfilter Cristallo 16AF.NC.	FILTRO ANTIDIST.BLOC.VITE 16A	120V TTT
13	U110.005 VITE AUT.TCB 3.9X9.5 DIN 7981 F	LOCKING SCREW ANTIDISTURB FILTER	TRIPLOE SOCKET SELF-LOCKING	Entstörfilter Cristallo 16AF.NC.	FILTRO ANTIDIST.BLOC.VITE 16A	120V TTT
14	184651500 FILTRO ANTIDIST.BLOC.VITE 16A	PLATE ELECTRONICS PARTS PHEDRA E	PLATE ELECTRONICS PARTS PHEDRA E	Stecker OCS	PIASTRA PARTI ELETR.PHEDRA EVO	120V TTT
15	11033980 PIASTRA PARTI ELETR.PHEDRA EVO	SUPPORT ELECTRICAL PARTS PHEDRA	SUPPORT ELECTRICAL PARTS PHEDRA	PLATE ELECTRONICS PARTS PHEDRA E	ASS.SUPP.PARTI ELETRICHE PHEDRA	120V TTT
16	U302.007 DADO ESAGONALE M8 UNI 5588 ZNP	nut HEXAGONAL M8 UNI 5588	ECROU HEXAGONAL M8 UNI 5588	Schraube 3.5X6.5 DIN 7981 F	DADO ESAGONALE M8 UNI 5588 ZNP	120V TTT
17	U110.004 VITE AUT.TCB 3.5X6.5 DIN 7981 F	screw AUT.TCB 3.5X6.5 DIN 7981 F	VIS AUT.TCB 3.5X6.5 DIN 7981 F	Schraube 3.5X6.5 DIN 7981 F	VITE AUT.TCB 3.5X6.5 DIN 7981 F	120V TTT
18	12002120 ALIMENTATORE DELTA PMT-24V-150W-1A	TRAY SENSOR WATER AND GROUND WT	SWITCHING DELTA PMT-24V-150W-1A	TRAY SENSOR WATER AND GROUND WT	ALIMENTATORE DELTA PMT-24V-150W-1A	120V TTT
19	11034303 ASS.SENSORI CASSETTI ACQUA E FON	TRAY SENSOR WATER AND GROUND WT	TRAY SENSOR WATER AND GROUND WT	TRAY SENSOR WATER AND GROUND WT	ASS.SENSORI CASSETTI ACQUA E FON	WT
20	11034870 ASS.SENSORI CASSETTI ACQUA E FON	HARNES CONNECTIONS SENSORS	HARNES CONNECTIONS SENSORS	HARNES CONNECTIONS SENSORS	ASS.SENSORI CASSETTI ACQUA E FON	
21	11033722 CABLAGGIO COLLEGAMENTI SENSORI	COMPRESSION SPRING D.6.7 FILO 0.	RESSORT DE COMPRES.D.6.7 FILO 0.	COMPRESSION SPRING D.6.7 FILO 0.	CABLAGGIO COLLEGAMENTI SENSORI	
22	12000881 MOLLA COMPR. D.6.7 FILO 0.6 L=23	AS.CPU+SW WATER LEVEL SENSOR V2	PLATINE SENSEUR NIVEAU D'EAU	PLATINE SENSEUR NIVEAU D'EAU	CABLAGGIO COLLEGAMENTI SENSORI	
23	11003232 CPU(ON PROGR.X SENS.LIV.ACQ)	WATER LEVEL SENSOR CURSOR	WATER LEVEL SENSOR CURSOR	WATER LEVEL SENSOR CURSOR	ASS.SENSORI CASSETTI ACQUA E FON	
24	11033408 COURSE SENSORE LIVELLO ACQUA	WATER LEVEL SENSOR SUPPORT	WATER LEVEL SENSOR SUPPORT	WATER LEVEL SENSOR SUPPORT	COURSE SENSORE LIVELLO ACQUA	
25	11033714 SUPP.SENSORE LIVELLO ACQUA	HARNES INTERFACE+DISPLAY	HARNES INTERFACE+DISPLAY	HARNES INTERFACE+DISPLAY	SUPP.SENSORE LIVELLO ACQUA	
26	11032399 CABLAGGIO INTERFACCIA+DISPLAY	"3.5" TFT DISPLAY 320x240"	"DISPLAY TFT 3.5" 320x240"	"DISPLAY TFT 3.5" 320x240"	CABLAGGIO INTERFACCIA+DISPLAY	
27	11032383 SCHEDA INTERF. DISPLAY TFT UMESH-	HW INTERF. NEW TFT DISPLAY UMESH-	PLAT. INTERF. DISPLAY TFT UMESH-8	PLAT. INTERF. DISPLAY TFT UMESH-8	SCHEDA INTERF. DISPLAY TFT UMESH-	
28	11033383 TASTIERA CAPACITIVA PHEDRA EVO	TASTIERA CAPACITIVA PHEDRA EVO	CLAVIER TACTILE PHEDRA EVO	TASTIERA CAPACITIVA PHEDRA EVO	TASTIERA CAPACITIVA PHEDRA EVO	
29	11033775 CABLAGGIO LED PHEDRA EVO	HARNES LED PHEDRA EVO	HARNES LED PHEDRA EVO	HARNES LED PHEDRA EVO	CABLAGGIO LED PHEDRA EVO	
30	11033283 CIRCUITO ADESIVO CAPACITIVO 11 T	CAPACITIVE ADHESIVE CIRCUIT 11 K	CAPACITIVE ADHESIVE CIRCUIT 11 K	CAPACITIVE ADHESIVE CIRCUIT 11 K	CIRCUITO ADESIVO CAPACITIVO 11 T	
31	11033766 ASS.CPU+SW PHEDRA EVO	CPU+SW PHEDRA EVO	CPU + SW PHEDRA EVO	CPU + SW PHEDRA EVO	ASS.CPU+SW PHEDRA EVO	
32	11034765 ASS.CPU+SW PHEDRA EVO NO PAYMENTS	CPU+SW PHEDRA EVO NO PAYMENTS	CPU+SW PHEDRA EVO NO PAYMENTS	CPU+SW PHEDRA EVO NO PAYMENTS	ASS.CPU+SW PHEDRA EVO NO PAYMENTS	

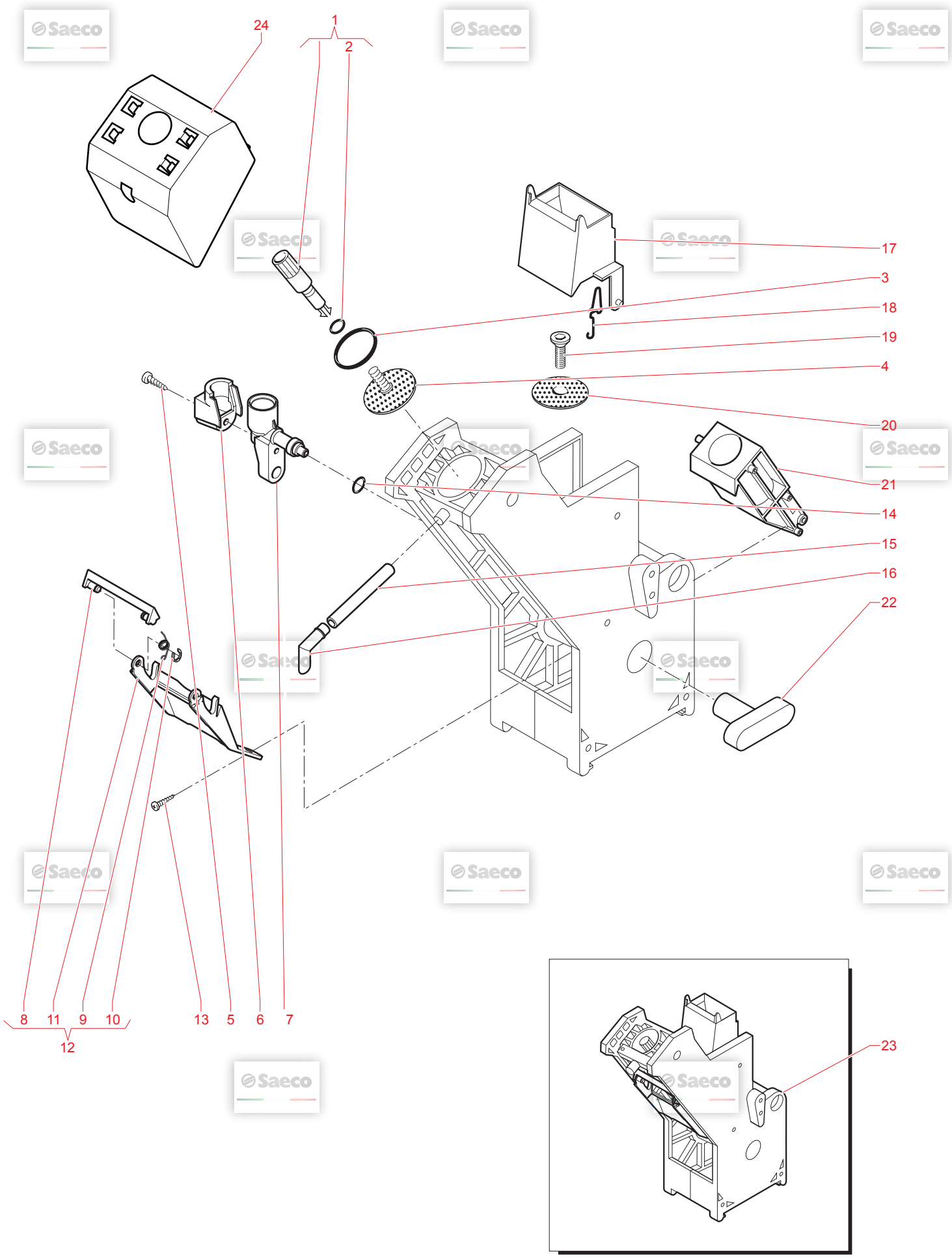


N.POSI	COD	I - DESCRIZIONE	UK - DESCRIPTION	F - DESCRIPTION	D - BEZEICHNUNG	E - DESCRIPCION
1	9169.A14.060	ASS.PERNO X DOCCIA COMPLETO MARR	PIN FOR PERCOLATOR BROWN	AXE DE GRILLE	Boizen kplf. zu Sieb	ASS.PERNO X DOCCIA COMPLETO MARR
2	NM02.006	OR R5 TERMOIL	OR R5 TERMOIL	JOINT R5 EPDM	O-Ring R5 Siebhalterung alle Cer	OR R5 TERMOIL
3	140322061	OR 4112 EPDM	O-RING 4112 EPDM	JOINT 4112	O-Ring 4112 EPDM	OR 4112 EPDM
4	324000100	DOCCIA AC. INOX D=34 CON VITE	SS PERCOLATOR D=34 SCREW FOR UNI	GRILLE SUPERIEURE	Sieb mit Gewindestift ø34 bis Se	DOCCIA AC. INOX D=34 CON VITE
5	11005371	MANICOTTO GRUPPO CAFFE	UNIT COFFEE MUFF	PIPETTE DE GROUPE	Wassereinlaufsutzen BG C600	MANICOTTO GRUPPO CAFFE
6	11010013	CARTER X MANICOTTO GRUPPO PRERIS	CARTER FOR MUFF PREHEATING UNIT	CARTER DE SORTIE PIPE TTE GROUPE	Schraube 2,9X13	CARTER X MANICOTTO GRUPPO PRERIS
7	129512921	VITE TCB AB 2,9X13 LAMIERA INOX	SCREW TCB TORX 10 AB 2,9X13 SHEE	VIS TCB TORX 10 AB 2,9X13 SS	Abdeckung Kaffeelauslauf	VITE TCB AB 2,9X13 LAMIERA INOX
8	9111.537.060	RASCHIATORE GRUPPO CAFFE MARRONE	BROWN SCRAPER COFFEE GROUP	RACLETTE GROUPE CAFE	Trichter Brühergruppe	RASCHIATORE GRUPPO CAFFE MARRONE
9	9111.520	MOLLA X RASCHIATORE SEZIONE 0.6	SPRING FOR SCRAPER SECTION 0.6	RESSORT POUR RACLETTE	Feder für Abstreifer BG P500N	MOLLA X RASCHIATORE SEZIONE 0.6
10	U701.006	ANELLO ELASTICO 3.2 UNI 7434	SNAP RING 3.2 UNI 7434	ANNEAU ELASTIQUE	Sicherungsring ø3.2 elastisch	ANELLO ELASTICO 3.2 UNI 7434
11	9111.539.060	FORCELLA PER RASCHIATORE	FORK FOR SCRAPER	FOURCHE POUR RACLETTE	Gabel zu Trichter	FORCELLA PER RASCHIATORE
12	9110.067.060	ASS.RASCHIATORE X SG500/700	SCRAPER ASS.FOR CAPPUCGINAT. TUB	RACLETTE CCOMPLET	Abstreifer kplf. Brühergruppe SG	ASS.RASCHIATORE X SG500/700
13	U110.013	VITE AUT.TCB 3,9X6,5 DIN 7981 F	screw AUT.TCB 3,9X6,5 DIN 7981 F	VIS .TCB 3,9X6,5 DIN 7981 F NIK	Schraube 3,9X6,5	VITE AUT.TCB 3,9X6,5 DIN 7981 F
14	140321462	OR 2018 SILICONE	O-RING 2018 SILICONE	JOINT 2018	O-Ring 2018 Silikon	OR 2018 SILICONE
15	9972.057	TUBO SILICONE 5X8 L.2000MM	SILICONE TUBE 5X8 L.2000MM	TUBE SILICONE MARRON L2M 5X8	Siliconschlauch 5x8, l=2mtr.,bra	TUBO SILICONE MARRON 5X8 L.2000
16	1813.109.050	UGELLO	NOZZLES	BEC DE SORTIE COUDE	Schlauchanschlusswinkel SG200 FW	UGELLO
17	322001201	RASCHIATORE MOBILE MARRON TYP ST	MOBILE SCRAPER BROWN NARROW	RECEPTACLE MOUTURE DIGITAL	Trichter Brühergruppe SA, P-Geräte	RASCHIATORE MOBILE MARRON TYP ST
18	9161.425	MOLLA X TRAMOGGIA	SPRING FOR SCRAPER	RESSORT DE TREMIS	Federbügel zu Trichter	MOLLA X TRAMOGGIA
19	129851921	VITE TSP M3X6 UNI 7688 INOX	TSP SCREW M3X6 UNI 7688 SS	VIS TSP M3X6 UNI 7688	Senkschraube M3x6 DIN 965 INOX	VITE TSP M3X6 UNI 7688 INOX
20	324000200	DOCCIA AC. INOX D=34 X GRUPPO	SS PERCOLATOR D=34 FOR UNIT	GRILLE INFERIEURE	Sieb ø34	DOCCIA AC. INOX D=34 X GRUPPO
21	222711101	AS. CONT.CAF. MAC.D=36	BROWN GROUND COFF CONTAINER D=36	CHAMBRE GROUPE CAFE	Brühkammer braun	AS. CONT.CAF. MAC.D=36
22	9161.021.060	CHIAVE X GRUPPO CAFFE' MARRON	KEY FOR BREW UNIT BROWN	CLE DE GROUPE CAFE	Einstellschlüssel für Brühinheit	CHIAVE X GRUPPO CAFFE' MARRON
23	11023330	GRUPPO CAFFE' 7GR DOCCIA	BREW UNIT 7 GRAMS	GROUPE CAFE 7GR HS2	Brühgruppe 7g	GRUPPO CAFFE' 7GR DOCCIA
24	11013053	CARTER X GRUPPO CAFFE	CARTER FOR DOSER UNIT	PROTECTION GROUPE CAFE	Abdeckung Brühergruppe	CARTER X GRUPPO CAFFE
25	11012630	DOCCIA ELFO D.34	PERCOLATOR D.34	GRILLE INFERIEUR D.34	Sieb Brühergruppe oben d=34	DOCCIA ELFO D.34
26	129852821	VITE TSP M3X14 UNI 7688 INOX	TSP SCREW M3X14 UNI 7688 SS	VIS TSP M3X14 UNI 7688 SS	Senkkopfschraube 3x10	VITE TSP M3X14 UNI 7688 INOX

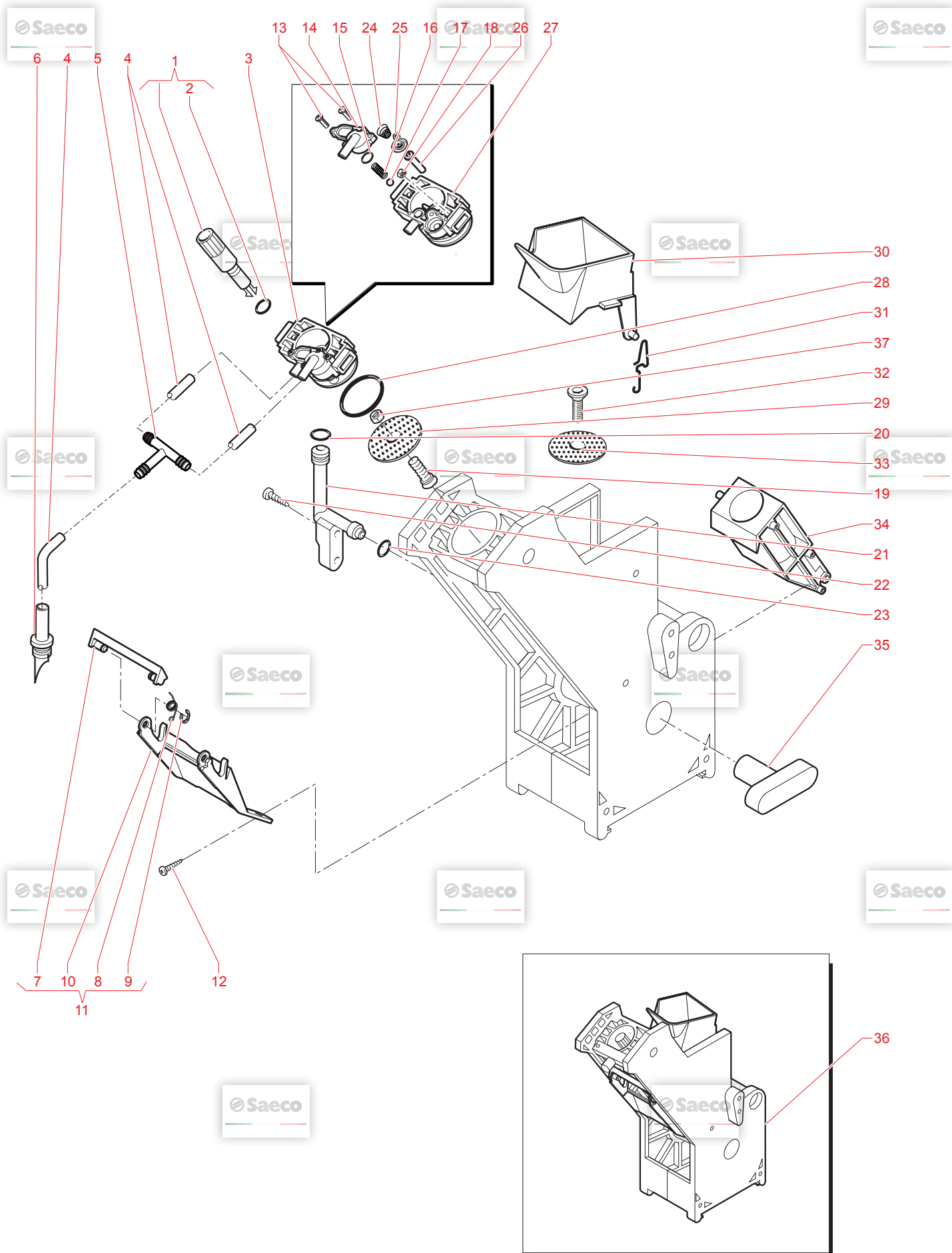




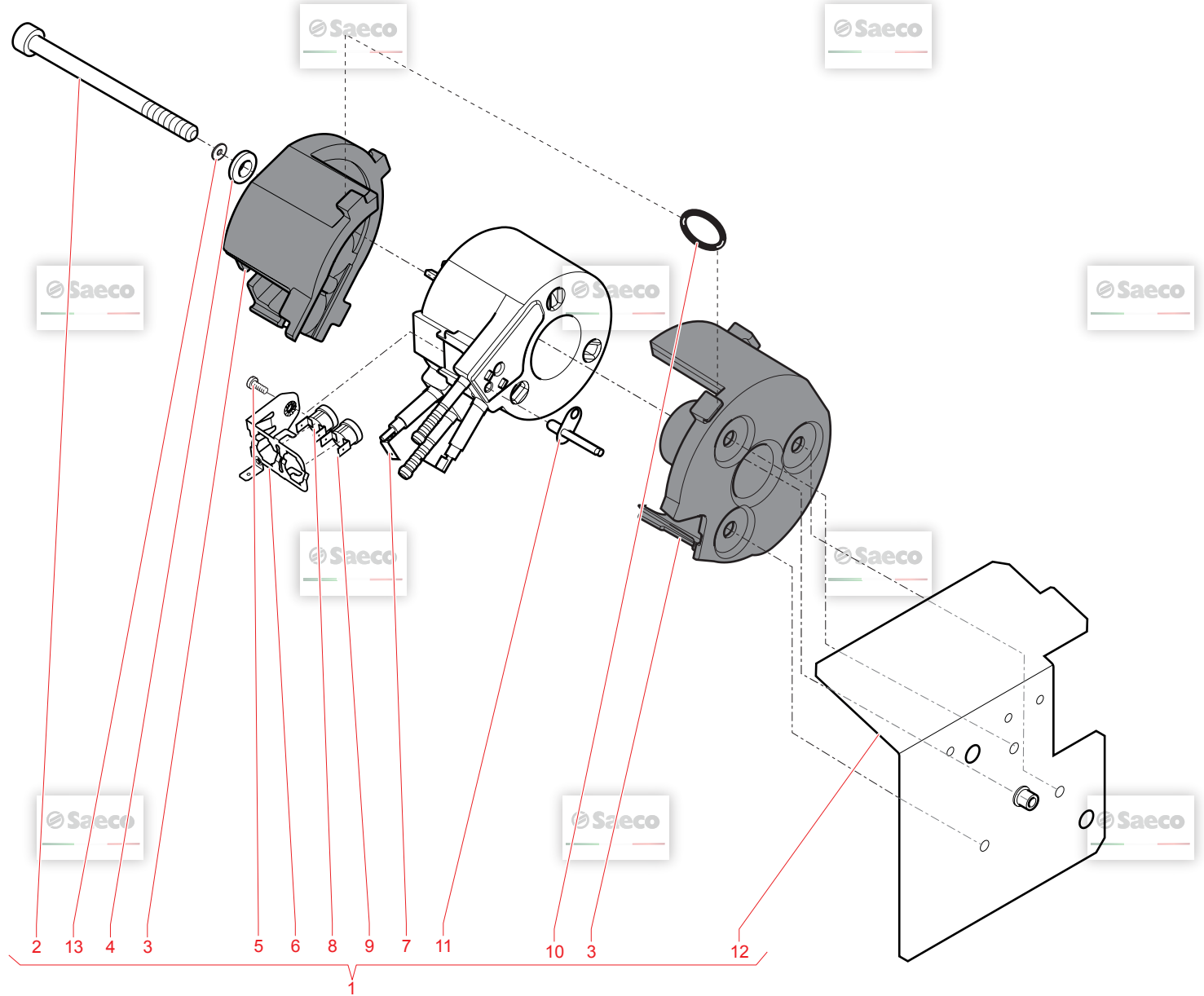
N.POSI	COD	I - DESCRIZIONE	UK - DESCRIPTION	F - DESCRIPTION	D - BEZEICHNUNG	E - DESCRIPCION	NOTE
1	11031863	ASS.GRUPPO CAFFE' 7GR GUSTO	BREWING UNIT ASS. 7GR GUSTO	GRUPE CAFÉ 7GR GUSTO	Brühgruppe kpl. GUSTO	ASS.GRUPPO CAFFE' 7GR GUSTO	
2	11029737	PROTEZIONE VALVOLA SFIATO GRUPPO	PROTECTION VALVE	PROTECTION VALVE DU GROUPE	COPERCHIO CONTROPISTONE GRUPPO I	PROTEZIONE VALVOLA SFIATO GRUPPO I	
3	11031800	COPERCHIO CONTROPISTONE GRUPPO I	COVER GROUP I VS CONTROPISTONE	COPERCHIO CONTROPISTONE GRUPPO I	COPERCHIO CONTROPISTONE GRUPPO I	COPERCHIO CONTROPISTONE GRUPPO I	
4	9872.285	TUBO SILICONE 3.5X6 L. 220 MM	SILICONE TUBE 3.5X6 L. 220 MM	SILICONE TUBE 3.5X6 L. 220 MM	Siliconschlauch 3,5x6 L=220mm	TUBO SILICONE 3.5X6 L.220 MM	
5	1813.109.050	UGELLO	NOZZLES	BEC DE SORTIE COUDE	Schlauchanschlusswinkel SG200 FW	UGELLO	
6	129510503	VITE TCB 2,2X12,7 DIN 7981 NICK	SCREW TCB 2.2X12.7 DIN 7981 NICK	VIS TCB 2.2X12.7 DIN 7981 NICK	Linsen-Blechs. 2.2x13 DIN 7981 N	VITE TCB 2.2X12.7 DIN 7981 NIK	
7	9161.021.060	CHIAVE X GRUPPO CAFFE' MARRON	KEY FOR BREW UNIT BROWN	CLE DE GROUPE CAFE	Einstellschlüssel für Brühhebel	CHIAVE X GRUPPO CAFFE' MARRON	
8	11029317	DADO TENUTA CONTROPISTONE MOBILE	NUT SEAL PISTON MOVABLE	ECROU DE TENUE MOVABLE	NUT SEAL PISTON MOVABLE	DADO TENUTA CONTROPISTONE MOBILE	
9	1029316	FLANGIA X PISTONE MOBILE	FLANGE FOR CUPHOLDER	BRIDE PISTON MOBILE	FLANGIA X PISTON MOVABLE	FLANGIA X PISTONE MOBILE	
10	1032172	MOLLA X CONTROPISTONE FILO 4,5 L	SPRING FOR COUNTERPISTON 4.5 L.3	MOLLA X CONTROPISTONE FILO 4.5 L	MOLLA X CONTROPISTONE FILO 4.5 L	MOLLA X CONTROPISTONE FILO 4.5 L	
11	129512921	VITE TCB AB 2,9X13 LAMIERA INOX	SCREW TCB TORX 10 AB 2.9X13 SHEE	VIS TCB TORX 10 AB 2.9X13 SS	Schraube 2,9X13	VITE TCB AB 2.9X13 LAMIERA INOX	
12	11010013	CARTER X MANICOTTO GRUPPO PRERIS	CARTER FOR MUFF PREHEATING UNIT	CARTER DE SORTIE PIPEPTE GROUPE	Abdeckung Kaffeerauslauf	CARTER X MANICOTTO GRUPPO PRERIS	
13	11005371	MANICOTTO GRUPPO CAFFE'	UNIT COFFEE MUFF	PIPEPTE DE GROUPE	Wasserreinlaufstützen BG C600	MANICOTTO GRUPPO CAFFE'	
14	11012957	RASATORE X GRUPPO CAFFE' 7-9GR.	SCRAPER FOR COFFEE UNIT 7-9GR.	RACLEUR GROUPE 7-9GR	Bügel Sudabstreifung schwarz Brü	RASATORE X GRUPPO CAFFE' 7-9GR.	6 grammi
15	9111.537.060	RASCHIATORE GRUPPO CAFFE' MARRONE	BROWN SCRAPER COFFEE GROUP	RACLETTE GROUPE CAFE	Trichter Brühgruppe	RASCHIATORE GRUPPO CAFFE' MARRONE	
16	9111.520	MOLLA X RASCHIATORE SEZIONE 0.6	SPRING FOR SCRAPER SECTION 0.6	RESSORT POUR RACLETTE	Feder für Abstreifer BG P500N	MOLLA X RASCHIATORE SEZIONE 0.6	
17	U701.006	ANELLO ELASTICO 3,2 UNI 7434	SNAP RING 3.2 UNI 7434	ANNEAU ELASTIQUE	Sicherungsring ø3.2 elastisch	ANELLO ELASTICO 3.2 UNI 7434	
18	9111.539.060	FORCELLA PER RASCHIATORE	FORK FOR SCRAPER	FOURCHE POUR RACLETTE	Gabel zu Trichter	FORCELLA PER RASCHIATORE	
19	9110.067.060	ASS.RASCHIATORE X SG500/700	SCRAPER ASS.FOR CAPPUCCINAT. TUB	RACLETTE CCOMPLET	Abstreifer kpl. Brühgruppe SG	ASS.RASCHIATORE X SG500/700	
20	U110.013	VITE AUT.TCB 3,9X6,5 DIN 7981 F	screw AUT.TCB 3.9X6.5 DIN 7981 F	VIS .TCB 3.9X6.5 DIN 7981 F NIK	Schraube 3,9X6,5	VITE AUT.TCB 3.9X6.5 DIN 7981 F	
21	11029878	ASS.CONTROPISTONE MOBILE	ASS.COUNTERPISTONE MOBILE	ENS. COUNTERPISTON	Kolben kpl.	ASS.CONTROPISTONE MOBILE	
22	NM01.029	OR ORM 0100-15 SILICONE	OR ORM 0100-15 SILICONE	JOINT ORM 0100-15 SILICONE	O-Ring Silikon rot. 10x1,6 mm	OR ORM 0100-15 SILICONE	
23	140322061	OR 4112 EPDM	O-RING 4112 EPDM	JOINT 4112	O-Ring 4112 EPDM	OR 4112 EPDM	
24	11012630	DOCCIA ELFO D.34	PERCOLATOR D.34	GRILLE INFERIEUR D.34	Sieb Brühgruppe oben d=34	DOCCIA ELFO D.34	
25	U044.009	VITE TSPC M3,0X8 UNI 7688 INOX	SS SCREW TSPC M3.0X8 UNI 7688	VIS TSPC M3.0X8 UNI 7688	Schraube M3x8 DIN 965 INOX	VITE TSPC M3.0X8 UNI 7688 INOX	
26	140321462	OR 2018 SILICONE	O-RING 2018 SILICONE	JOINT 2018	O-Ring 2018 Silikon	OR 2018 SILICONE	
27	11030122	DISTANZIALE X DOSAG 6GR CONTROPI	SPACE	ENTRETOISE	SPACE	DISTANZIALE X DOSAG 6GR CONTROPI	
28	322001201	RASCHIATORE MOBILE MARRON TYP ST	MOBILE SCRAPER BROWN NARROW	RECEPTACLE MOUTURE DIGITAL	Trichter Brühgruppe SA, P-Geräte	RASCHIATORE MOBILE MARRON TYP ST	
29	9161.425	MOLLA X TRAMOGGIA	SPRING FOR SCRAPER	RESSORT DE TREMIS	Federbügel zu Trichter	MOLLA X TRAMOGGIA	
30	129851921	VITE TSP M3X6 UNI 7688 INOX	TSP SCREW M3X6 UNI 7688 SS	VIS TSP M3X6 UNI 7688	Senkschraube M3x6 DIN 965 INOX	VITE TSP M3X6 UNI 7688 INOX	
31	324000200	DOCCIA AC. INOX D=34 X GRUPPO	SS PERCOLATOR D=34 FOR UNIT	GRILLE INFERIEURE	Sieb ø34	DOCCIA AC. INOX D=34 X GRUPPO	
32	140322500	OR 2118 GOMMA NITRILICA	O-RING 2118 NITRIL RUBBER	JOINT OR 2118 GOMME	O-Ring 2118	OR 2118 GOMMA NITRILICA	
33	11029879	ASS.PISTONE X GRUPPO CAFFE'	ASS.PISTONE X GRUPPO CAFFE'	ENS. PISTON	Kolben kpl.	ASS.PISTONE X GRUPPO CAFFE'	
34	11030309	ANELLO X CAMMA PISTONE	RING FOR CAM	ANELLO X CAMMA PISTONE	Brühkammer braun	ANELLO X CAMMA PISTONE	
35	222711101	AS.CONT.CAF.MAC.D=36	BROWN GROUND COFF. CONTAINER D=36	CHAMBRE GROUPE CAFE		AS.CONT.CAF.MAC.D=36	



N.POSI	COD	I - DESCRIZIONE	UK - DESCRIPTION	F - DESCRIPTION	D - BEZEICHNUNG	E - DESCRIPCION
1	9169.A14.150	ASS.PERNO X DOCCIA COMPLETO GRIG	PIN FOR PERCOLATOR GREY	AXE BLOAGE GRILLE SUP GRIS	Rändelspahnmutter grau	ASS.PERNO X DOCCIA COMPLETO GRIG
2	NM02.006	OR R5 TERMOIL	OR R5 TERMOIL	JOINT R5 EPDM	O-Ring R5 Siebhalterung alle Cer	OR R5 TERMOIL
3	NM01.044	OR ORM 0320-40 SILICONE PTFE/FDA	OR ORM 0320-40 SILICONE PTFE/FDA	JOINT OR 0320-40 SILICONE	O-RING ORM 0320-40	OR ORM 0320-40 SILICONE PTFE/FDA
4	9161.036	DOCCIA SUPERIORE X GRUPPO	UPPER PERCOLATOR FOR UNIT	GRILLE SUPERIEURE	Sieb oben Brühgruppe l=15mm	DOCCIA SUPERIORE X GRUPPO
5	1295.12921	VITE TCB AB 2.9X13 LAMIERA INOX	SCREW TCB TORX 10 AB 2.9X13 SHEE	VIS TCB TORX 10 AB 2.9X13 SS	Schraube 2,9X13	VITE TCB AB 2.9X13 LAMIERA INOX
6	11010013	CARTER X MANICOTTO GRUPPO PRERIS	CARTER FOR MUFF PREHEATING UNIT	CARTER DE SORTIE PIPE TTE GROUPE	Abdeckung Kaffeelauf	CARTER X MANICOTTO GRUPPO PRERIS
7	11005371	MANICOTTO GRUPPO CAFFE'	UNIT COFFEE MUFF	PIPE TTE DE GROUPE	Wasserlaufstützen BG C600	MANICOTTO GRUPPO CAFFE'
8	9111.537.150	RASCHIATORE GRUPPO CAFFE GRIGIO	GREY SCRAPER COFFEE GROUP	RACLETTE DE GROUPE CAFÉ	Federbügel zu Trichter grau	RASCHIATORE GRUPPO CAFFE GRIGIO
9	9111.520	MOLLA X RASCHIATORE SEZIONE 0.6	SPRING FOR SCRAPER SECTION 0.6	RESSORT POUR RACLETTE	Feder für Abstreifer BG P500N	MOLLA X RASCHIATORE SEZIONE 0.6
10	U701.006	ANELLO ELASTICO 3.2 UNI 7434	SNAP RING 3.2 UNI 7434	ANNEAU ELASTIQUE	Sicherungsring ø3.2 elastisch	ANELLO ELASTICO 3.2 UNI 7434
11	9111.539.150	FORCELLA PER RASCHIATORE	FORK FOR SCRAPER	FOURCHE POUR RACLETTE	Gabel zu Trichter	FORCELLA PER RASCHIATORE
12	9110.067.150	ASS.RASCHIATORE X SG500/700	SCRAPER ASS.FOR CAPPUCGINAT. TUB	ENSEMBLE RACLETTE DE GROUPE	Federbügel+Gabel kplt. zu Tricht	ASS.RASCHIATORE X SG500/700
13	U110.013	VITE AUT.TCB 3.9X6.5 DIN 7981 F	screw AUT.TCB 3.9X6.5 DIN 7981 F	VIS .TCB 3.9X6.5 DIN 7981 F NIK	Schraube 3,9X6,5	VITE AUT.TCB 3.9X6.5 DIN 7981 F
14	140321462	OR 2018 SILICONE	O-RING 2018 SILICONE	JOINT 2018	O-Ring 2018 Silikon	OR 2018 SILICONE
15	9972.057	TUBO SILICONE 5X8 L.2000MM	SILICONE TUBE 5X8 L.2000MM	TUBE SILICONE MARRON L2M 5X8	Siliconschlauch 5x8, l=2mtr.,bra	TUBO SILICONE MARRON 5X8 L.2000
16	1813.109.050	UGELLO	NOZZLES	BEC DE SORTIE COUDE	Schlauchanschlusswinkel SG200 FW	UGELLO
17	322001259	RASCHIATORE MOBILE GRIGIO (STRET	MOBILE SCRAPER GREY NARROW	ENTONNOIR 9GR PROFIL 2	Trichter schmale Form, grau	RASCHIATORE MOBILE GRIGIO (STRET
18	9161.425	MOLLA X TRAMOGGIA	SPRING FOR SCRAPER	RESSORT DE TREMIS	Federbügel zu Trichter	MOLLA X TRAMOGGIA
19	129851921	VITE TSP M3X6 UNI 7688 INOX	TSP SCREW M3X6 UNI 7688 SS	VIS TSP M3X6 UNI 7688	Senkschraube M3x6 DIN 965 INOX	VITE TSP M3X6 UNI 7688 INOX
20	9161.037	DOCCIA INFERIORE X GRUPPO	LOWER PERCOLATOR FOR UNIT	GRILLE INFERIEURE	Sieb unten Brühgruppe	DOCCIA INFERIORE X GRUPPO
21	11002626	ASS.CONTENTITORE CAFFE'GRIGIO 9 G	ASS. COFFEE CONTAINER GREY 9 GR.	CHAMBRE GROUPE CAFE 9GR.	Brühkammer kplt. grau 9 gr.	ASS.CONTENTITORE CAFFE'GRIGIO 9 G
22	9161.021.060	CHIAVE X GRUPPO CAFFE' MARRON	KEY FOR BREW UNIT BROWN	CLE DE GROUPE CAFE	Einstellschlüssel für Brühinhei	CHIAVE X GRUPPO CAFFE' MARRON
23	11005422	GRUPPO CAFFE' 9GR	BREW UNIT 9 GRAMS	GROUPE CAFE 9GR	Brühgruppe kplt.	GRUPPO CAFFE' 9GR
24	11013053	CARTER X GRUPPO CAFFE'	CARTER FOR DOSER UNIT	PROTECTION GROUPE CAFE	Abdeckung Brühgruppe	CARTER X GRUPPO CAFFE'



N.POSI COD	I - DESCRIZIONE	UK - DESCRIPTION	F - DESCRIPTION	D - BEZEICHNUNG	E - DESCRIPCION
1	9169.A14.150 OR R5 TERMOIL	PIN FOR PERCOLATOR GREY OR R5 TERMOIL	AXE BLOAGE GRILLE SUP GRIS JOINT R5 EPDM	Rändelspahnmutter grau O-Ring R5 Siebhalterung alle Cer	ASS.PERNO X DOCCIA COMPLETO GRIG OR R5 TERMOIL
2	11002.006 ASS.CONTRAPISTONE FRESH-BREW	ASS.COUNTERPISTON FRESH-BREW	ENS. CONTRAPISTON FRESH BREW 10	Kolben kpl.	ASS.CONTRAPISTONE FRESH-BREW
3	11007.343 TUBO SILICONE 5X8 L.2000MM	SILICONE TUBE 5X8 L.2000MM	TUBE SILICONE MARRON L2M 5X8	Siliconschlauch 5x8, l=2mtr.,bra	TUBO SILICONE MARRON 5X8 L.2000
4	9872.057 RAC.A T USCITA CALD.P604 NEU.	T CONNECTOR FOR BOILER P604	RACCORD EN T CHAUD.P604	T-Raccord Boilerausgang P604 neu	RAC.A T USCITA CALD.P604 NEU.
5	11007.493 UGELLO EROGAZIONE DIR.	STRAIGHT DISPENSING NOZZLE	BUSE EROGATION DIR.	Produktauslaufanschluss gerade P5	UGELLO EROGAZIONE DIR.
6	9111.537.150 RASCHIATORE GRUPPO CAFFE GRIGIO	GREY SCRAPER COFFEE GROUP	RACLETTE DE GROUPE CAFÉ	Feder für Trichter grau	RASCHIATORE GRUPPO CAFFE GRIGIO
7	9111.520 MOLLA X RASCHIATORE SEZIONE 0.6	SPRING FOR SCRAPER SECTION 0.6	RESSORT POUR RACLETTE	Feder für Abstreifer BG P500N	MOLLA X RASCHIATORE SEZIONE 0.6
8	U701.006 ANELLO ELASTICO 3.2 UNI 7434	SNAP RING 3.2 UNI 7434	ANNEAU ELASTIQUE	Sicherungsring ø3.2 elastically	ANELLO ELASTICO 3.2 UNI 7434
9	9111.539.150 FORCELLA PER RASCHIATORE	FORK FOR SCRAPER	FOURCHE POUR RACLETTE	Gabel zu Trichter	FORCELLA PER RASCHIATORE
10	1110.067.150 ASS.RASCHIATORE X SG500/700	SCRAPER ASS FOR CAPPUCCINAT. TUB	ENSEMBLE RACLETTE DE GROUPE	Federbügel+Gabel kpl. zu Tricht	ASS.RASCHIATORE X SG500/700
11	U110.013 VITE AUT.TCB 3.9X6.5 DIN 7981 F	screw AUT.TCB 3.9X6.5 DIN 7981 F	VIS .TCB 3.9X6.5 DIN 7981 F NIK	Schraube 3,9X6,5	VITE AUT.TCB 3.9X6.5 DIN 7981 F
12	U109.030 VITE AUT.TCB 2.9X16 DIN 7981 C I	screw AUT.TCB 2.9X16 DIN 7981 C	VIS AUT.TCB 2.9X16 DIN 7981 C	linsen-Blechs 2,9x16 DIN 7981 in	VITE AUT.TCB 2.9X16 DIN 7981 C I
13	11003.470 COPERCHIO X CONTRAPISTONE FRESH-	LID X COUNTERPISTON FRESH-BREW	COUVERCLE CONTREPISTON	Abdeckung zu Brühgruppe	COPERCHIO X CONTRAPISTONE FRESH-
14	11002.073 OR ORM 0080-15 TERMOIL	OR ORM 0080-15 TERMOIL	JOINT ORM 0080-15 TERMOIL	O-Ring ORM 0080-15 EPDM	OR ORM 0080-15 TERMOIL
15	11028830 MOLLA X GRUPPO CAFFE' FRESH BREW	SPRING FOR FS400 COVER CHASSIS	RESSORT	Feder zu Brühgruppe	MOLLA X GRUPPO CAFFE' FRESH BREW
16	12001.650 SFERA D.5 TEFLON X GRUPPO CAFFE'	SPHERE TEFLON D.5	SPHERE TEFLON D.5	SPHERE TEFLON D.5	DADO ESAGONALE M4 UNI 5589 ZN
17	U302.003 DADO ESAGONALE M4 UNI 5589 ZN	GALVANUT HEXAGONAL M4 UNI 5589 Z	ECROU HEXAGONAL M4 UNI 5589 ZN	Mutter M4 UNI 5589 ZN	DADO ESAGONALE M4 UNI 5589 ZN
18	129852821 VITE TSP M3X14 UNI 7688 INOX	TSP SCREW M3X14 UNI 7688 SS	VIS TSP M3X14 UNI 7688 SS	Senkkopfschraube 3x10	VITE TSP M3X14 UNI 7688 INOX
19	140320461 OR ORM 0080-20 TERMOIL	OR ORM 0080-20 TERMOIL	JOINT DE PIPELITE 0080-20	O-Ring 0080-20 Wassereinlaufstut	OR ORM 0080-20 TERMOIL
20	322000559 PISTONE GRIGIO PASSAGGIO ACQUA	WATER FLOW PISTON GREY	PISTON PASSAGE EAU	Einlaufstützen grau	PISTONE GRIGIO PASSAGGIO ACQUA
21	129512921 VITE TCB AB 2.9X13 LAMIERA INOX	SCREW TCB TORX 10 AB 2.9X13 SHEE	VIS TCB TORX 10 AB 2.9X13 SS	Schraube 2,9X13	VITE TCB AB 2.9X13 LAMIERA INOX
22	140321462 OR 2018 SILICONE	O-RING 2018 SILICONE	JOINT 2018	O-Ring 2018 Silikon	OR 2018 SILICONE
23	11002603 MOLLA X MEMBRANA	SPRING FOR MEMBRANE	RESSORT DE MEMBRANE	Druckfeder konisch	MOLLA X MEMBRANA
24	11002625 MEMBRANA	MEMBRANE	MEMBRANE	Membran zu Brühgruppe	MEMBRANA
25	11003471 SPILLO X MEMBRANA FRESH-BREW	PIN FOR MEMBRANE FRESH-BREW	EPINGLE POUR MEMBRANE	Stift zu Membran Brühgruppe	SPILLO X MEMBRANA FRESH-BREW
26	11003469 CONTRAPISTONE FRESH-BREW	COUNTERPISTON FRESH-BREW	CONTRE PISTON	Kolben zu Brühgruppe	CONTRAPISTONE FRESH-BREW
27	11001.044 OR ORM 0320-40 SILICONE PTFE/FDA	OR ORM 0320-40 SILICONE PTFE/FDA	JOINT OR 0320-40 SILICONE	O-RING ORM 0320-40	OR ORM 0320-40 SILICONE PTFE/FDA
28	9161.-167 DOCCIA D.35.8	PERCOLATOR D.35.8	GRILLE INFERIEURE MAGIC	Sieb Brühgruppe ø35.8 MA, RO, VI	DOCCIA D.35.8
29	11003529 TRAMOGGIA X GRUPPO CAFFE' FRESH	HOPPER DOSEUR UNIT FRESH BREW	ENTONNOIR DE DOSEUR	Trichter zu Brühgruppe	TRAMOGGIA X GRUPPO CAFFE' FRESH
30	126836618 MOLLA H=28 NEW X RASCHIATORE	SPRING H=28 NEW FOR SCRAPER	RESSORT ENTONNOIR	Feder zu Trichter	MOLLA H=28 NEW X RASCHIATORE
31	129851921 VITE TSP M3X6 UNI 7688 INOX	TSP SCREW M3X6 UNI 7688 SS	VIS TSP M3X6 UNI 7688	Senkschraube M3x6 DIN 965 INOX	VITE TSP M3X6 UNI 7688 INOX
32	9161.037 DOCCIA INFERIORE X GRUPPO	LOWER PERCOLATOR FOR UNIT	GRILLE INFERIEURE	Sieb unten Brühgruppe	DOCCIA INFERIORE X GRUPPO
33	11002626 ASS.CONTENTITORE CAFFE'GRIGIO 9 G	ASS. COFFEE CONTAINER GREY 9 GR.	CHAMBRE GROUPE CAFE 9GR.	Brühkammer kpl. grau 9 gr.	ASS.CONTENTITORE CAFFE' GRIGIO 9 G
34	9161.021.150 CHIAVE X GRUPPO CAFFE' GRIGIO	KEY FOR BREW UNIT GREY	CLE DE GROUPE CAFE	Montageschlüssel grau	CHIAVE X GRUPPO CAFFE' GRIGIO
35	11007283 GRUPPO CAFFE' 10GR FRESH BREW	BREW UNIT 10GRAMS FRESH BREW	GROUPE CAFE 10GR	Brühgruppe 10gr	GRUPPO CAFFE' 10GR FRESH BREW
36	U301.003 DADO ESAGONALE M3 UNI 5587 INO	nut HEXAGONAL M3 UNI 5587	ECROU HEXAGONAL M3 UNI 5587	Sechskantmutter M3 DIN 934 inox	DADO ESAGONALE M3 UNI 5587 INO



N.POSI	COD	I - DESCRIZIONE	UK - DESCRIPTION	F - DESCRIPTION	D - BEZEICHNUNG	E - DESCRIPCION	NOTE
1	11013312	ASS.PIASTRA SUPP.CALDAIA TUBOLAR	PHEDRA BOILERS SUPPORT PLATE	ENS.PLAQUE SUPP.CHAUD.TUB.PHEDRA	PHEDRA BOILERS SUPPORT PLATE	ASS.PIASTRA SUPP.CALD.TUB.PHEDRA	Cappuccino
1	11033551	VITE TCEI M5.0X65 UNI 5931 8.8 B	PHEDRA BOILERS SUPPORT PLATE 120 screw TCEI M5.0X65 UNI 5931 8.8	PHEDRA BOILERS SUPPORT PLATE 120 VIS TCEI M5.0X65 UNI 5931 8.8 B	PHEDRA BOILERS SUPPORT PLATE 120 Schraube TCEI M5.0x65 UNI 5931	VITE TCEI M5.0X65 UNI 5931 8.8 B	Cappuccino TTT 120V
2	12001395	KIT GUSCIO ANT.POST.X THERMOBLOCK	TERMOBLOCK HS3 FRONT/BACK COVER	COQUE POSTERIEURE/ANTER.CHAUDIE	TERMOBLOCK HS3 FRONT/BACK COVER	KIT GUSCIO ANT.POST.X THERMOBLOCK	
3	20007380	DISTAN.ISO.FASIT D.EST.T1 D.INT.5.5	SPACER FAST D.EXT.T1 D.INT.5.5	ENTRETOISE D.EXT.T1 D.INT.5.5	TERMOBLOCK HS3 FRONT/BACK COVER		
4	11013945	VITE TCB M4X8 AUTOFORM.C/TEST.DE	SCREW TCB TORX 20 M4X8 AUTOFORMI	VIS TCB UNI 8112	Schraube TCB M4X8 selbistschneide	VITE TCB M4X8 AUTOFORM.C/TEST.DE	Cappuccino TTT 120V
5	129573202	MOLLA FERM.TERMOS.LAT.CALD.TUB.V	TUB.BOILER V5 SIDE THERMOS.FIXIN	PINCE DE THERMOSTAT	Thermostathaltfeder	MOLLA FERM.TERMOS.LAT.CALD.TUB.V	
6	11007907	AS.CALD.TUB.V4 1300W 230V	V4 TUB.BOILER 1300W 230V ASSY	ENS.CHAUD.TUB.V4 1300W 230V	Boiler 1300W 230V	AS.CALD.TUB.V4 1300W 230V	
7	11011341	AS.CALD.TUB.V4 1300W 120V CULLUS	V4 TUB.BOILER 1300W 120V CULLUS	V4 TUB.BOILER 1300W 120V CULLUS	DLEH Oefkeranschluss 120 V 1300	AS.CALD.TUB.V4 1300W 120V CULLUS	
7	11033552	TERMOSTATO 190° NC FASTON 90°	THERMOSTAT 190° NC FASTON 90°	THERMOSTAT 190°C FASTON 90°	Thermostat 190°	TERMOSTATO 190° NC FASTON 90°	
8	12000804	OR 2.3X15 NBR	OR 2.3X15 NBR	THERMOSTAT 190° C 1NT-08L-6067	O-Ring Verschluss 2.3x15 P7 NBR	TERMOSTATO 190° 1NT-08L-6067	
10	11009589	SONDA VAPORE SG650	STEAM PROBE SG650	JOINT T2.3 D 15 NBR	SONDE CHAUDIERE VAPEUR	OR 2.3X15 NBR	
11	11013311	PIASTRA SUPP.CALDAIA TUBOLARE PH	PHEDRA BOILERS SUPPORT PLATE	PLAQUE SUPPORT CHAUD.TUB.PHEDRA	SONDE DAMPFBOILER	SONDA VAPORE SG650	
12	U207.001	ROSETTA PIANA 5.3X10 UNI 6592 ZN	PLAIN WASHER 5.3X10 UNI 6592 GAL	RONDELL 5,3*10 UNI6592 ZN	Schleibe A5.3 DIN 125 verz.	ROSETTA PIANA 5.3X10 UNI 6592 ZN	

Il Costruttore si riserva il diritto di modificare, senza preavviso, le caratteristiche delle apparecchiature presentate in questa pubblicazione; declina inoltre ogni responsabilità per le eventuali inesattezze imputabili ad errori di stampa e/o trascrizione contenute nella stessa.

Le istruzioni, i disegni, le tabelle e le informazioni in genere contenute nel presente fascicolo sono di natura riservata e non possono essere riprodotte ne completamente ne parzialmente od essere comunicate a terzi senza l'autorizzazione scritta del Costruttore che ne ha la proprietà esclusiva.

The manufacturer reserves the right to modify, without prior notice, the characteristics of the equipment described in this publication; and further declines to accept any responsibility for any inaccuracies contained in this publication which can be ascribed to printing and/or transcription errors.

All instructions, drawings, tables and information contained in this publication are confidential and can neither be reproduced, completely or in part, nor be transmitted to third parties without the written permit of the Manufacturer, who has the sole ownership.

Le fabricant se réserve le droit de modifier, sans préavis, les caractéristiques des appareils présentes dans cette publication; en outre, elle decline toute responsabilité pour d'éventuelles inexactitudes imputables à des erreurs d'impression et/ou de transcription.

Tous droits de reproduction, complète ou partielle, des instructions, des dessins, des tableaux et de toutes les informations contenues dans cette publication sont réservés. Aucune communication à un tiers ne peut être faite sans une autorisation par écrit du Constructeur qui en a la propriété exclusive.

Der Hersteller behält sich das Recht vor, die Eigenschaften der hier beschriebenen Geräte ohne Voranzeige zu ändern und lehnt gleichzeitig jede Verantwortung für mögliche Unrichtigkeiten ab, die auf Druckfehler oder Abschreibfehler zurückzuführen sind.

Alle Anweisungen, Zeichnungen, Tabellen und Informationen, die im allgemeinen im vorliegenden Band enthalten sind, müssen als vertraulich betrachtet werden und können weder teilweise noch vollständig reproduziert bzw an Dritte ohne die schriftliche Ermächtigung des Herstellers weitergegeben werden, der das Alleineigentum besitzt.

El Constructorse reserva el derecho de modificar, sin previo aviso, las características de los aparatos presentados en esta publicación; además declina toda responsabilidad por los eventuales inexactitudes imputables a errores de imprenta y/o transcripción contenidos en la misma.

Las introducciones, los dibujos, las tablas y las informaciones en general contenidos en este fascículo son de tipo reservado y no se pueden reproducir, completamente o en parte, ni comunicar a terceros si la autorización escrita del Fabricante, el cual tiene la propiedad exclusiva.

