

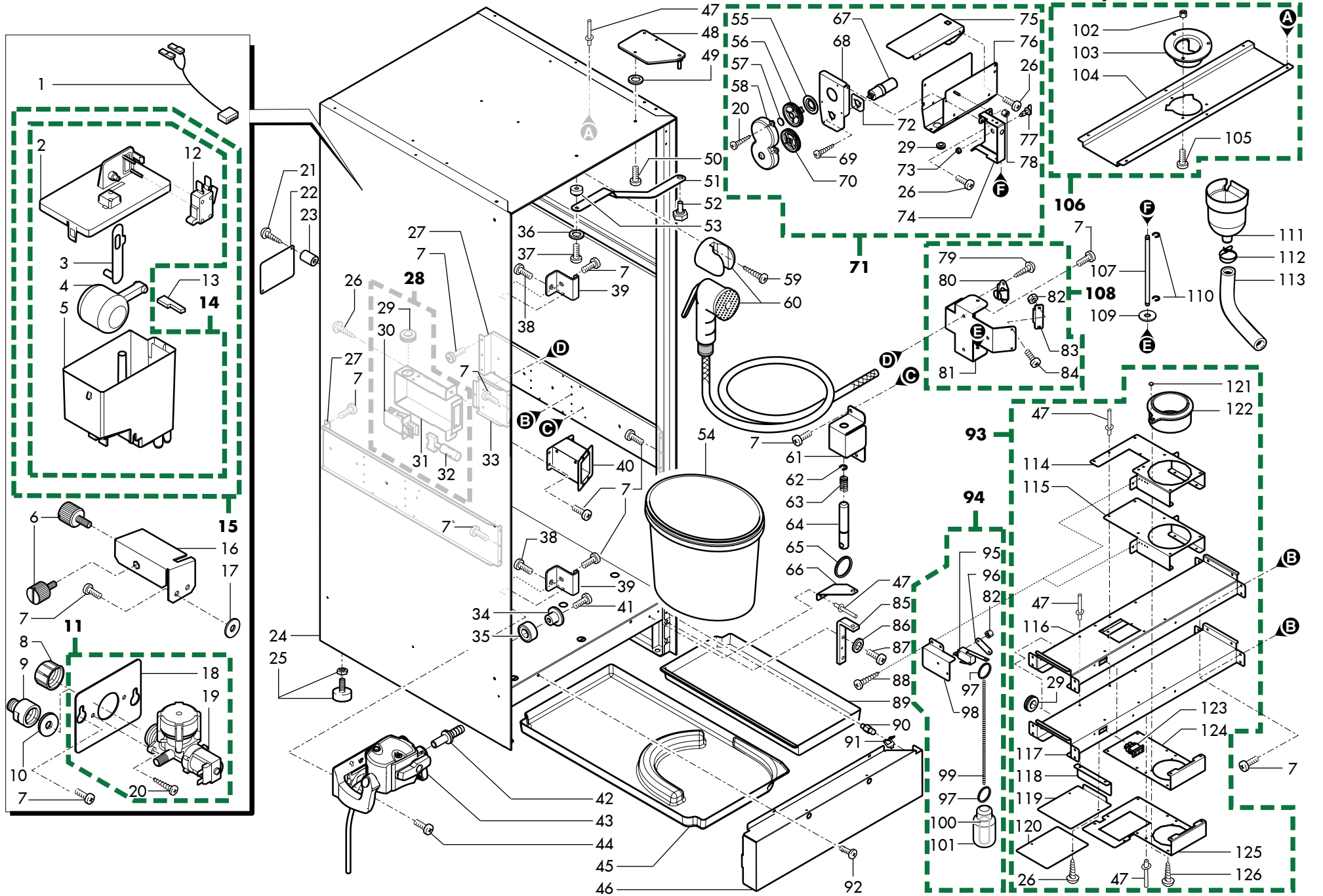
Pos. Code	Description	Note
1	11009582 Air Break Harness Sg650	
2	9111.623 Lid Tank Air Break	
3	9111.512 Lever For Water Tank	
4	9111.508 Float For Air Break Bowl	
5	9111.622 Tank Air Break	instant
5	9111.641 Tank Air Break	all except instant
5	9991.029 Nut For Resistor	
6	9111.330 Knurled Male Hand Bolt M5	
7	U127.011 Screw Tapt.Tcb M5,0X8 Din 7500C	
8	NV03.002 Cap 3/4 Kapsto 800R 3/4	
9	9991.175 Conn. For Solenoid Valve Power	
10	0870.058 Seal For Solenoid Valve	
11	9110.136.00P Ass.Electrovalve Inlet Water 24V	
12	NE05.062 Microswitch + Wheel	
13	9111.632 Rubber For Air Break	
14	9110.102 Water Tank Ass. Air-Break Sg New	instant
14	9110.134 Water Tank Ass. Air-Break Sg700 M.	all except instant
15	11009786 Ass. Air/Break Assemble Sg650	all except instant
15	11010386 Ass. Air/Break Assemble Sg650 Instant	instant
16	9111.521 Left Support Water Tank	
17	9111.501 Insulation Washer	
18	9111.670 Omega Support Electrovalve	
19	9121.057.00P Safety Electrovalve 24V Dc	
20	U110.003 Screw Aut.Tcb 3,5X9,5 Din 7981 F	
21	129516803 Screw Tcb3,5X19 Din 7981 Nick	
22	11012508 Air Deflector Plate Atlante	(F)
23	11010659 Spacer For Deflector	(F)
24	11023091 Ass.Casing To Rivet Atlante500 Blk	(F)
25	NV01.002 Foot D.34 H.35 With Nut M10	
26	U110.005 Screw Aut.Tcb 3,9X9,5 Din 7981 F	
27	11023114 Cross Beam Ass. R/L Sides Atlante500	
28	11008480 Ass.Interblock	
29	NE16.002 Grommet D.11X20,5Xh.7	
30	NE05.039 Bipolar Microswitch	
31	NE05.040 Key For Micro	
32	11008473 Box	
33	11033450 Fixing Plate Sidebucket	
34	11006477 Fs400 Door Pivot For Wheel	
35	11003474 Fs400 Door Wheel	
36	11013032 Spacer For Door Brake	
37	U043.016 Screw Tcbc M5,0X16 Uni 7687 Galv.	
38	U046.005 Screw Te M5,0X10 With Washer	
39	11023439 Rod Lock Hookup	
40	11023534 Ass.Channel Aspiration	all except Capsbean
40	11032738 Ass.Channel Aspiration	Capsbean
41	12000780 Screw Tspc M4,0X20 Uni 7688 Galv.	
42	12001921 Rubber Holder 8Mm John Guest	NE
43	12001920 Head Filtre Brita Johnguest 8Mm	NE
44	U043.014 Screw Tcbc M5,0X20 Uni 7687 Galv.	NE

Pos. Code	Description	Note
45	11032652 Bottom Tub Left Atlante500	
46	11032754 Skirting Band Assembly Atl500 Evo	
47	12000962 Multigrip Rivets 4.8X11	
48	11008614 Ass.Upper Hinge Pivot	
49	U207.013 Plain Washer 6.5X18 Uni 6592 Galv	
50	U046.006 Screw Te M6,0X10 With Washer	
51	11009898 Stop For Door Sg650	
52	0871.126 Screw For Lock Rod	
53	11008644 Lock Pin	
54	12002042 Bucket Utilplastic 328X250X300 Black	
55	11001660 Protection Bush	
56	9111.694 Joint With Gear	
57	11007273 Disc For Thickness	
58	9111.687.A20 Gear Cover	
59	U109.005 Screw Aut.Tcb 3,5X16 Din 7981 C	
60	12001922 Ass.Doccetta C/Tubo Raccordato E Supp.	NE
61	11009671 Pin Support Fixing 90°	
62	U701.003 Snap Ring 7 Uni 7434	
63	9111.355 Spring For Change Button	
64	11009672 Pin Fixing Revolving Plate	
65	1431.003 Keyholder Ring	
66	11008669 Lower Hinge Plate Sg650	
67	9121.106.00P Sugar Ratiomotor 24V Dc	
68	11032701 Plate Support 4° Caps Container	
69	U116.005 Screw Aut.Pt Tcb 3,0X8 Wn 1441	
70	9111.695 Gear Z40	
71	11032719 Assembly 4° Container Support	2 M 5S - Capsbean
72	11001570 Spacer Motor Lip Sugar	
73	NF11.025 Rubber Ring For Rapid Coupling	
74	11032703 Rotation Plate Support 4° Container	
75	11032702 Central Plate Support 4° Container	
76	11032700 4° Container Support	
77	12001940 Pin	
78	U324.006 Nut M4 Flanged Indented Base	
79	U110.004 Screw Aut.Tcb 3,5X6,5 Din 7981 F	
80	NF11.023 Receptacle For Rapid Coupling	
81	11032704 5° Container Support Rotation	
82	U324.005 Nut M3 Flanged Indented Base	
83	9991.182 Magnet For Door Sg700	
84	U043.028 Screw Tcbc M3,0X10 Uni 7687 Galv.	
85	11008668 Lower Hinge Sg650	
86	U208.009 Toothed Washer 8,4X15 Uni 3703	
87	12001174 Screw Tcei M8X35 Uni 5931 Zin	
88	U109.011 Screw Aut.Tcb 3,9X9,5 Din 7981 C	
89	11023690 Bottom Tub Right Atlante500	
90	NF11.041 Pin For Skirting	
91	NF11.042 Clip For Skirting Band Pin	
92	U043.008 Screw Tcbc M5,0X10 Uni 7687 Galv.	
93	11023118 Lower Cross Ass.	all except Capsbean

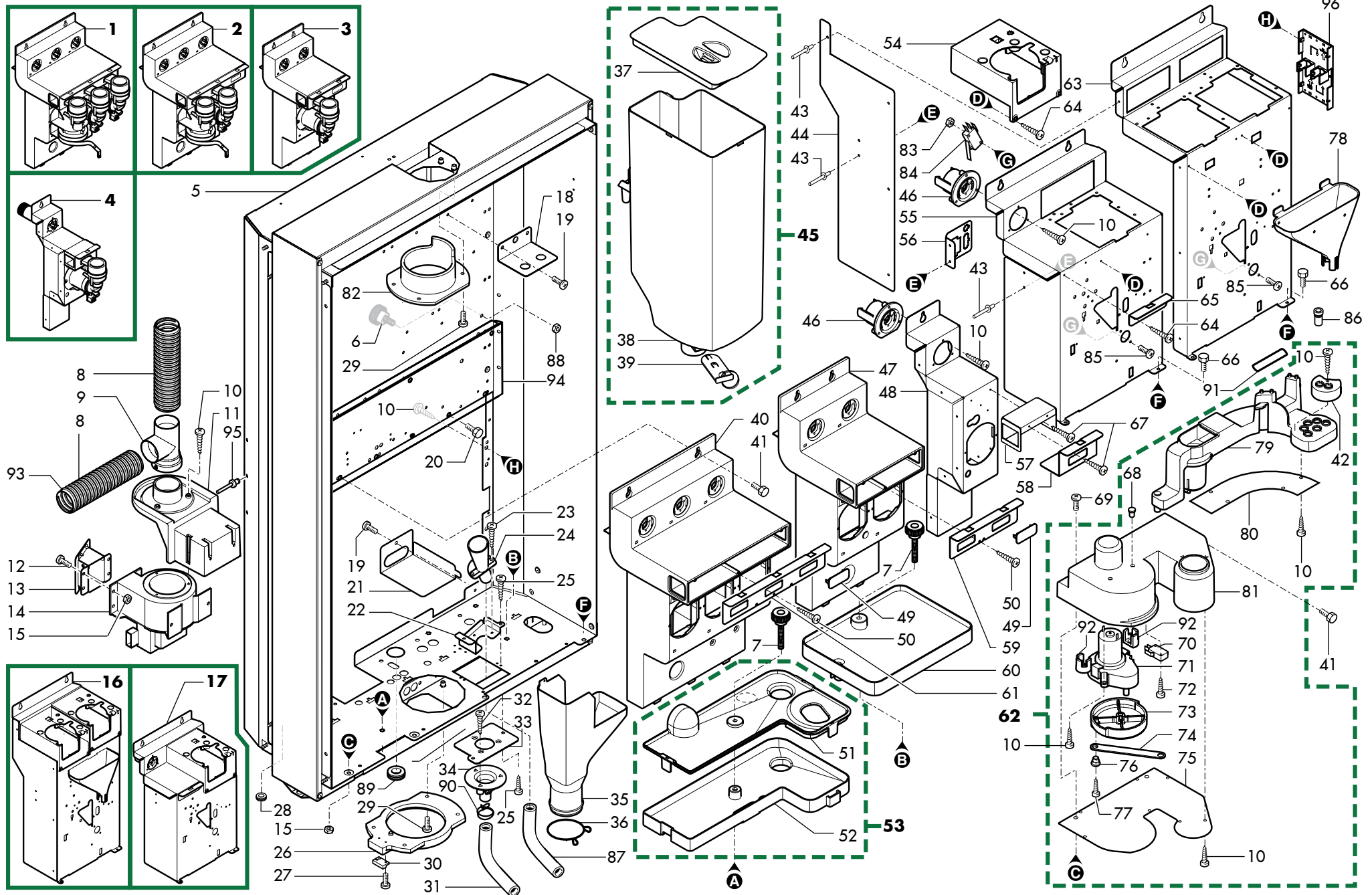
VENDING MACHINE ATLANTE 500 EVO

TABLE 2/24

E019.048.02

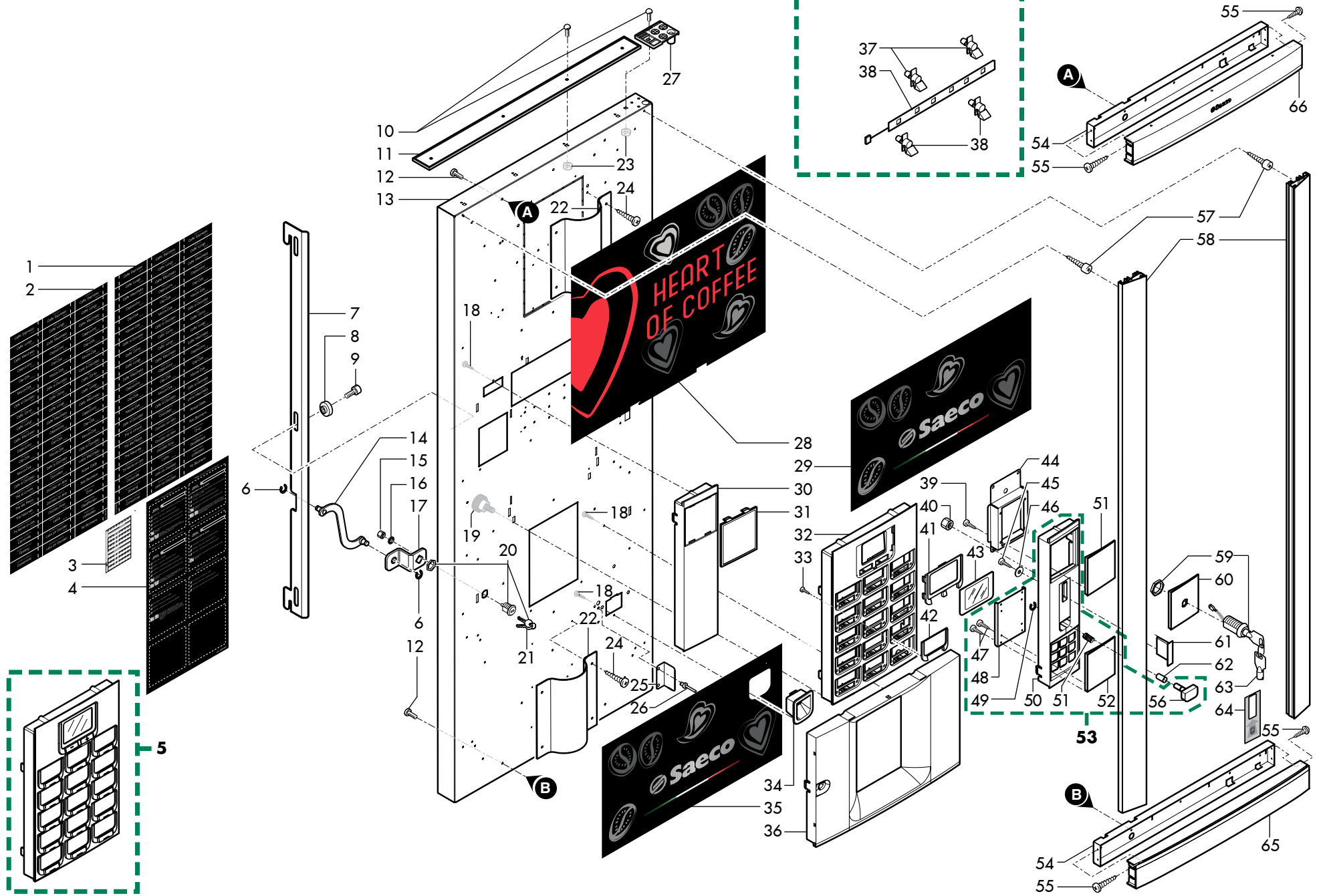


Pos. Code	Description	Note
93	11032730 Lower Cross Ass.	Capsbean
94	11031913 Float	
95	NE05.041 Microswitch	
96	9111.407 Micro Plate	
97	9111.148 Elastic Ring For Float	
98	11034578 Support Micro Floating Blk	
99	11009608 Chain For Afloat L.250Mm Sg650	
100	9111.147 Counterweight For Float	
101	9111.130 Float For Discharge Level	
102	U324.003 Nut M5 Flanged Indented Base	
103	11008267 Flangia Superiore Di Rotazione	
104	11023117 Roof Cross Beam X Plate Revolving Atl500	
105	U043.015 Screw Tcbc M5,0X12 Uni 7687 Galv.	
106	11023264 Upper Cross Ass.	
107	0894.140 Pin For Shelf Sugar	
108	11032800 Support 4° Container	2 M 5S - Capsbean
109	U207.009 Plain Washer 5,5X15 Uni 6593 Ga	
110	U701.006 Snap Ring 3,2 Uni 7434	
111	11009607 Tube Conveyor Liquids Discharge Central	
112	9111.553 Self-Energizing Spring For Tube D.2	
113	11014050 Flexible Tube D.21 L.250Mm	
114	11032694 Support Rotation	Capsbean
115	11008252 Center Support Rotation	all except Capsbean
116	11032692 Omega Central Support Plate Revolving	Capsbean
117	11023119 Omega Central Support Plate Revolving	all except Capsbean
118	11008476 Cover Rinforce	all except Capsbean
119	11008477 Cover	all except Capsbean
120	11032731 Cover	Capsbean
121	9991.093 Magnet D=9,5 X H=1,5	
122	11008260 Lower Bush Of Rotation	
123	NE13.046 Socket 2 Pole + Earth 08168600W	
124	11008253 Plate For Support	all except Capsbean
125	11032693 Plate Support Center Rotation	Capsbean
126	U116.006 Screw Aut.Pt Tcb 3,5X12 Wn 1441 Znp	



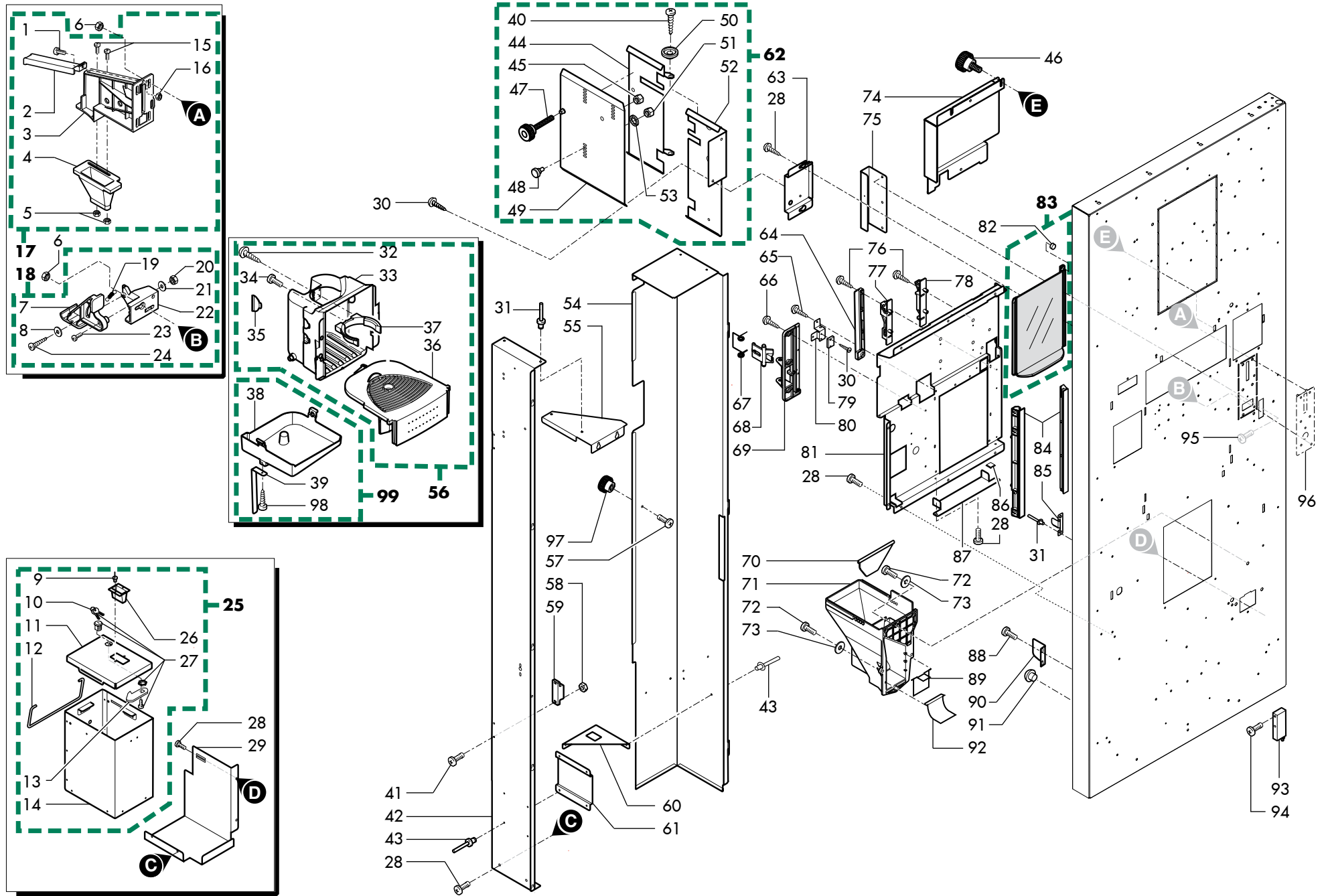
Pos. Code	Description	Note	
1	11024169	Ass. Module 3 Motor Atlante500 1C	espresso
1	11031405	Module 3 Motor Atl500 Ttt	NE TTT
2	11024288	Ass. Module 3 Motor Atlante500 Inst.	instant
3	11024289	Module 2 Motor Atlante500 Inst.Rx	instant
3	11026610	Module 2 Motor Atlante500 Inst.Lx	instant
4	11023496	Ass. Module 1 Motor	NE TTT
4	11024167	Ass. Module 1 Motor	espresso
5	11032770	Revolving Plate Skin Atl500	
6	12002030	Knob D.18 M5X10	
7	12002032	Knob D.18 M5X40	
8	0862.014	Aspirator Tube L=290	
9	9111.640.060	Tube Connector	
10	U116.006	Screw Aut.Pt Tcb 3,5X12 Wn 1441 Znp	
11	9111.732.A20	Support	
12	U043.015	Screw Tcbc M5,0X12 Uni 7687 Galv.	
13	11023531	Ass.Channel Fan Aspiration	
14	9121.198.00A	Centrifugal Fan Cap 07	
15	U324.003	Nut M5 Flanged Indented Base	
16	11033922	Coffee Module 2 Grind	espresso 2M
17	11033924	Coffee Module 1 Grind 5S	espresso 1M 5CS
18	11024340	Support Coffee Container Atl500	espresso - NE TTT
19	U127.011	Screw Tapt.Tcb M5,0X8 Din 7500C	
20	129720902	Te Screw M5X10 Uni 5739 Znp	
21	11010729	Tube Support Sg650	instant
22	11024177	Dumping Support Atlante500	espresso - NE TTT
23	U110.003	Screw Aut.Tcb 3,5X9,5 Din 7981 F	
24	9111.527.050	Tube Conveyor Coffee Discharge	espresso - NE TTT
25	U110.005	Screw Aut.Tcb 3,9X9,5 Din 7981 F	
26	11008265	Lower Flange Of Rotation	
27	U116.005	Screw Aut.Pt Tcb 3,0X8 Wn 1441	
28	NE16.002	Grommet D.11X20,5Xh.7	
29	U044.011	Screw Tspc M5,0X16 Uni 7688 Galv.	
30	1863.649	Reed For Door	
31	11021498	Flexible Tube D.11,5-14,5 L.360Mm	instant
31	9974.027	Pvc Tube 20X27 L.360 Mm	espresso
32	U111.005	Screw Aut.Tsp 3,9X9,5 Din 7982 C	instant
33	11010728	Funnel Support	instant
34	9111.446.050	Funnel For Mixer Tray	instant
35	0862.111.050	Grounds Duct	espresso - NE TTT
36	0862.112	Grounds Sack Ring 8P	espresso - NE TTT
37	9111.728	Cover For Coffee Container	espresso 1M
38	9111.724	Container For Coffee Bean	espresso 1M
39	11010736	Ass.Guillotine Coffee	espresso
40	11008244	Module 3 Motor	
41	U046.001	Screw Tefz M5,0X16 Uni 6921 Galv.	
42	11031748	Cartegho Nozzles Support	NE
43	NF11.115	Blind Rivets	
44	11024371	Support Pannel Unit	espresso 2M
45	11024061	Coffee Tank Assembly Atlante500	espresso 2M - 1M - NE TTT
45	9110.139	Coffee Cont. Ass.	espresso 1M
46	11001574	Flange Fixing Ratiomotor Lip	espresso - NE TTT
47	11008259	Module 2 Motor	instant

Pos. Code	Description	Note	
48	11024166	Ass. Module 1 Motor	espresso - NE TTT
49	9111.481.060	Column Cap	instant
50	U116.003	Screw Aut.Pt Tcb 3,0X12 Wn 1441	
51	11025811	Boiler Case Atlante500 Brown	
52	11025810	Case Of Condense Atl500 Brown	
53	11024052	Tank Atlante500	
54	11008262	Grind Support	espresso - NE TTT
55	11033920	Coffee Module 1 Grind	espresso 1M - NE TTT
56	11009912	Connector Support Sg650	espresso - NE TTT
57	11023499	Single Aspiration Channel Atlante500	espresso - NE TTT
58	11023498	Cover For Single Aspiration Channel	espresso - NE TTT
59	11008246	Aspiration Steel Sheet At 3	instant
60	11025460	Mixer Tray Atlante500	instant
61	11008245	Aspiration Steel Sheet At 3	
62	11033178	Arm Support Atl500 25Rpm	
62	11033179	Arm Support	NE
63	11033921	Coffee Module 2 Grind	espresso 2M
64	U110.002	Screw Aut.Tcb 3,5X13 Din 7981 F	
65	11024339	Support Soluble Container Atl500	espresso 1M
66	U046.005	Screw Te M5,0X10 With Washer	
67	129511903	Screw Tcb 2,9X6,4 Din 7981 Bz Nick	
68	9161.305.150	Grey 8Gr.Brew Unit Integral Piston Plug	
69	U043.031	Screw Tcbc M5,0X40 Uni 7687 Galv.	
70	NE05.002	Microswitch	
71	11033191	Gearmotor Mechtex 25 Rpm	
72	U110.012	Screw Tc Wn1412 /Bn13577 Zinc Bia Ka 3X2	
73	11023694	Cam Arm Atlante500	
73	11031824	Cam Arm Atlante500	NE
74	11023944	Connecting Rod Arm Atlante500	
75	11023943	Support Arm Plate Atlante500	
76	11032865	Bush	
77	U116.002	Screw Aut.Pt Tcb 3,5X16 Wn 1441	
78	11032060	Tube Conveyor Coffee Double Grind	espresso 2M
79	11023693	Nozzle Arm Atlante500	
80	11023945	Plate Fro Arm Atlante500	
81	11033188	Support Arm Atlante500	
82	11008268	Upper Pin Of Rotation	
83	U324.005	Nut M3 Flanged Indented Base	
84	NE05.018	Microswitch	
85	129824002	Tcb Screw M4X10 Uni 7687 Znp	
86	11031340	Bush	NE
87	11014050	Flexible Tube D.21 L.250Mm	
88	123160502	Galvanized Nut M5 High Uni 5587-68	
89	NE16.009	Grommet Nostrum 10476.1.2	
90	9111.553	Self-Energizing Spring For Tube D.2	
91	140321762	O-Ring 3218 Silicone	
92	11033193	Spacer Motor Arm	
93	0875.424	Tube For Aspirator	Instant
94	11033948	Reinforcing Plate Assembly Revolving	
95	12000962	Multigrip Rivets 4.8X11	
96	11033067	Panel For Orientation Filters	



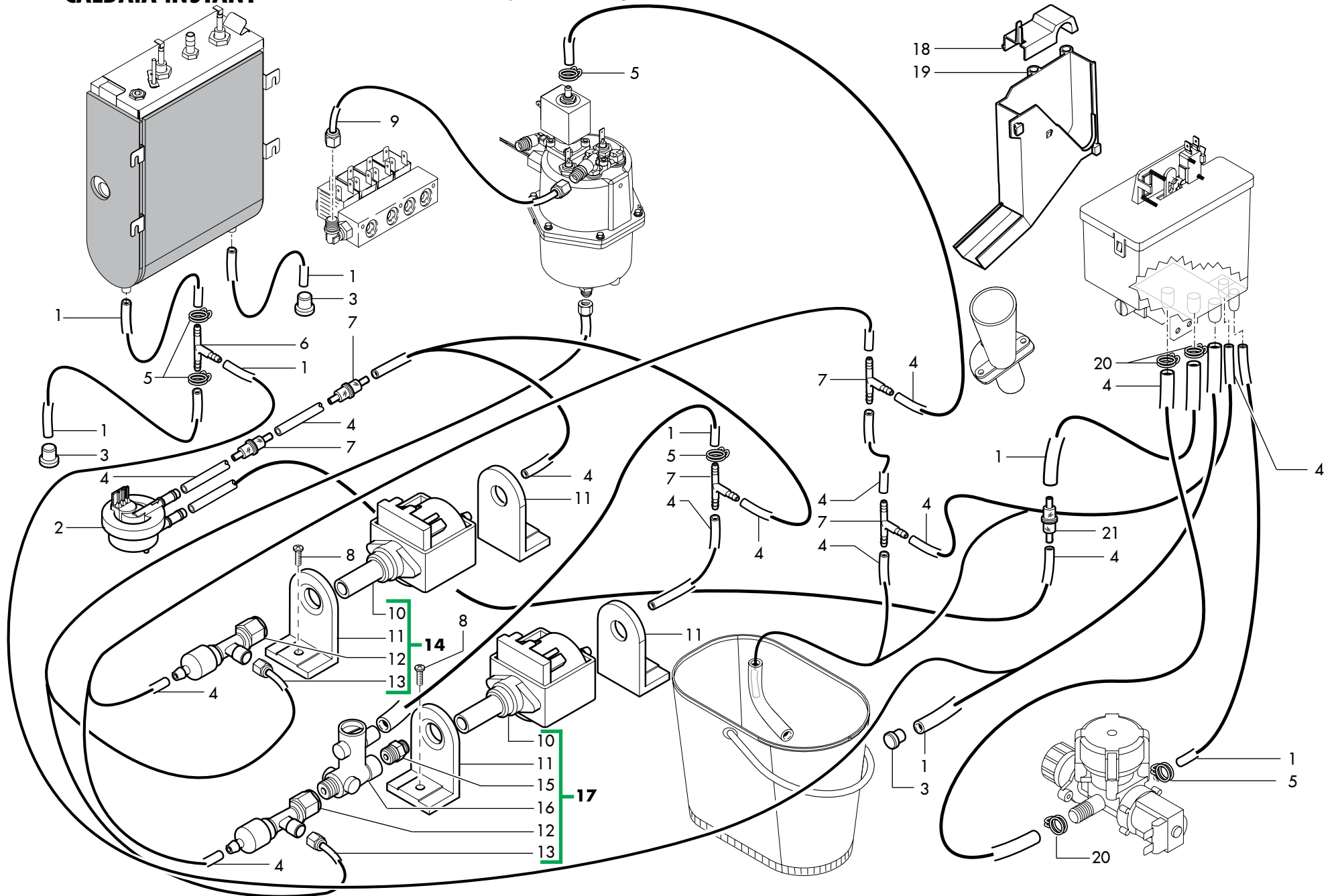
Pos.	Code	Description	Note
1	15001691	Products Label'S Sheet Rx Atlante Ita	
1	15001693	Products Label'S Sheet Rx Atlante Eng	
1	15001695	Products Label'S Sheet Rx Atlante Fra	
1	15001697	Products Label'S Sheet Rx Atlante De	
1	15001699	Products Label'S Sheet Rx Atlante Spa	
1	15001701	Products Label'S Sheet Rx Atlante Por	
1	15001703	Products Label'S Sheet Rx Atlante NI	
1	15004281	Products Label'S Sheet Rx Atlante Caps	
2	15001690	Products Label'S Sheet Lx Atlante Ita	
2	15001692	Products Label'S Sheet Lx Atlante Eng	
2	15001694	Products Label'S Sheet Lx Atlante Fra	
2	15001696	Products Label'S Sheet Lx Atlante De	
2	15001698	Products Label'S Sheet Lx Atlante Spa	
2	15001700	Products Label'S Sheet Lx Atlante Por	
2	15001702	Products Label'S Sheet Lx Atlante NI	
2	15004280	Products Label'S Sheet Lx Atlante Caps	
3	0775.989	Price Labels White Euro	
3	0862.984	Price Labels Switzerland	
4	15002650	Instruction Label'S Sheet Atl500 Ita	
4	15002651	Instruction Label'S Sheet Atl500 Eng	
4	15002652	Instruction Label'S Sheet Atl500 Fra	
4	15002653	Instruction Label'S Sheet Atl500 De	
4	15002654	Instruction Label'S Sheet Atl500 Spa	
4	15002655	Instruction Label'S Sheet Atl500 Por	
4	15002656	Instruction Label'S Sheet Atl500 NI	
5	11032550	Push Button Atl500 Restyling	
6	U701.011	Steel Snap Ring 5 Uni 7434	
7	11023261	Rod For Lock Atlante500	
8	11008644	Lock Pin	
9	U046.001	Screw Tefz M5,0X16 Uni 6921 Galv.	
10	U047.008	Capstan Screw With Frame M6X20	
11	11032418	Thick Frame	
12	U127.011	Screw Tapt.Tcb M5,0X8 Din 7500C	
13	11030934	Led Door Rivet Atl500 Blk	
14	11008615	Lever Ass. Lock	
15	U302.004	Nut Hexagonal M6 Uni 5588	
16	U208.006	Toothed Washer 6,4X11 Uni 3703	
17	11008640	Lever For Lock	
18	U116.006	Screw Aut.Pt Tcb 3,5X12 Wn 1441 Znp	
19	12002031	Knob D.18 M5X15	
20	NV02.229	Lock Rielda Mod.512 + Key	
21	NV02.243	Key Rielda Aj306A	
22	11030086	Reinforcement Image Advertising Atlante	
23	U310.004	Nut Self Lock.M6 Uni 7473	
24	U110.004	Screw Aut.Tcb 3,5X6,5 Din 7981 F	
25	11010203	Upper Support Plate Sg650	
26	12000962	Multigrip Rivets 4.8X11	
27	11010205	Adapter Upper Frame Silver	
28	11032424	Upper Advertising Plate Atl500	
29	11032709	Lower Advertising Plate Atl500 Evo	NE

Pos.	Code	Description	Note
30	11024252	Left Side Panel Sg650	
31	11023709	Publicity Front Plate Atlante500	
32	11024036	Pannello Tastiera Atlante500	
33	129670302	Tcb Panelvit Screw 2,9X9,5 Tes.D=7,5 Znp	
34	11032329	Front Plate Gry/Sil	
35	11032425	Lower Advertising Plate Atl500	
36	11023706	Dispenser Frame Vain Atlante500	
37	9111.402	Spacer For Card	
38	11031810	400Mm Led Board	
39	U110.003	Screw Aut.Tcb 3,5X9,5 Din 7981 F	
40	U324.003	Nut M5 Flanged Indented Base	
41	11032198	Display Front Plate	
42	11032199	Button Front Plate	
43	11032397	Display Glass Atlante700	
44	11023766	Support Cover M125 Omega	
45	U109.005	Screw Aut.Tcb 3,5X16 Din 7981 C	NE
46	U201.001	Plain Washer 3,2X9 Din 7349 Galv.	NE
47	U116.005	Screw Aut.Pt Tcb 3,0X8 Wn 1441	
48	11023763	Sheet Metal Cover Slave Atlante650	
49	U701.003	Snap Ring 7 Uni 7434	
50	11032113	Right Side Panel Atl700	
51	9111.355	Spring For Change Button	
52	11023653	Cover Slave Atlante650	
53	11031917	Dx Side Panel	
54	11032422	Support Upper Frame	
55	U109.003	Screw Tcb 3,5X9,5 Din 7981 C Nick	
56	11012634	Push Button Sg650 Silver	
56	11031373	Push Button Sg650	NE
57	U143.021	Screw Special 4,8X9,5 Self Tap.	
58	11034122	Aesthetic Strip Side Atl700/Aliseo	
59	12001931	Lock Meroni 3355/11Ka+Harness	NE
60	11031790	Cover Slave Atl700	NE
61	11031374	Cap For Insert Coin	NE
62	11031375	Bush Block Button Change Giver	NE
63	20007220	Key Meroni 3H1833Ctcc- Ka0514520X	NE
64	11032352	Adhesive Coin Introduction	
65	11032417	Upper/Lower Frame Door	
66	11032547	Upper/Lower Frame	



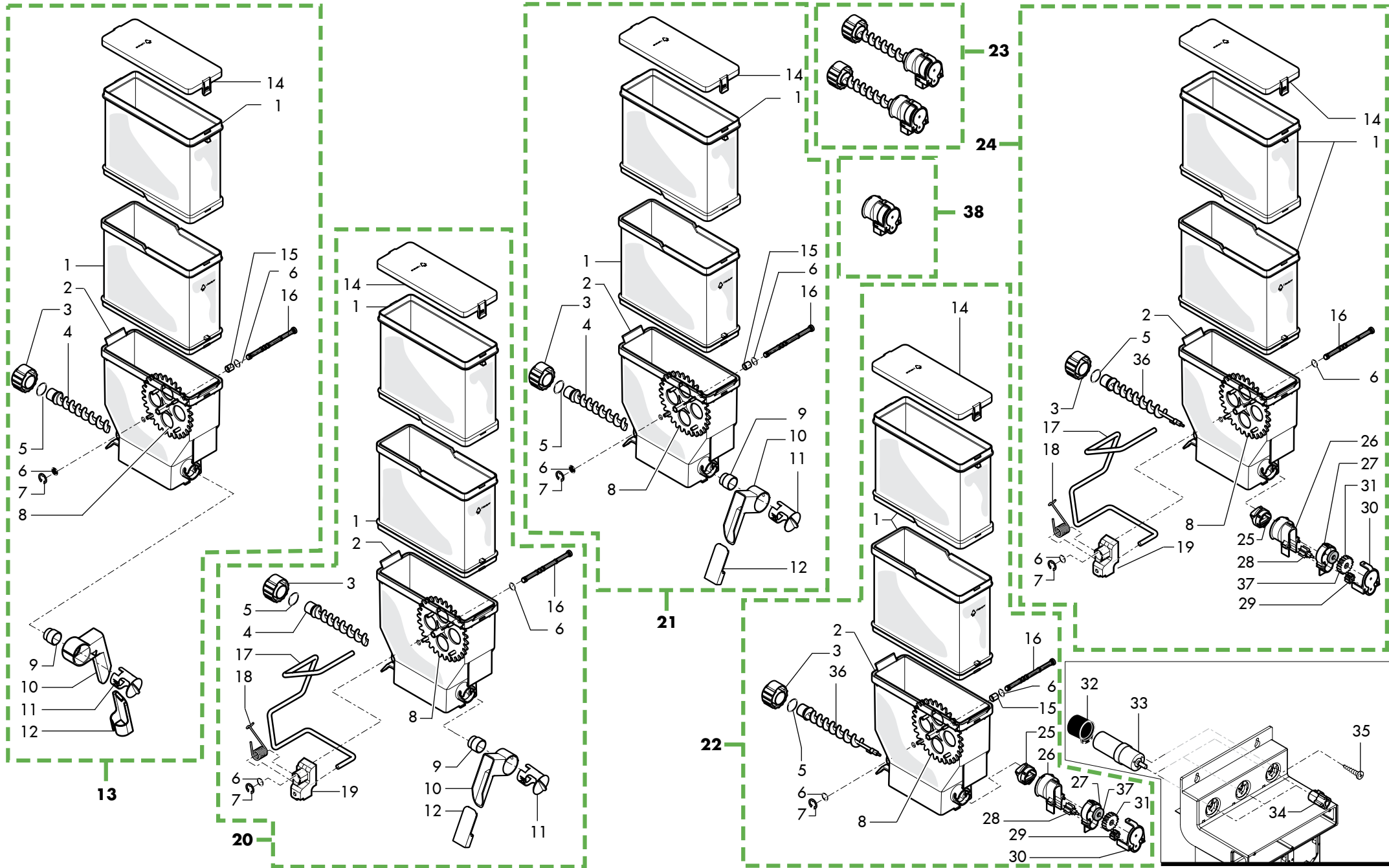
Pos. Code	Description	Note
1	U043.007	Screw Tcbc M3,0X8 Uni 7687 Galv.
2	11011663	Slide Cover Coin
3	11011616	Coin Chute
4	11011617	Coin Conveyor Adjustable
5	U302.003	Galv.Nut Hexagonal M4 Uni 5589 Zn
6	U324.003	Nut M5 Flanged Indented Base
7	11011660	Lever Coin Recovery
8	U212.006	Washer 3,2X11X0,5 Znp
9	NF11.026	Expansion Rivet D.3,9X8 Alu.
10	20007333	Key Meroni 337
11	11023451	Cover Coin Box Atlante500
12	9111.388	Handle For Coin Case
13	11031071	Lever For Lock
14	11009683	Coin Case Ass.
15	12002039	Screw Tcbd Torx 20 M4X12 Zn-B
16	U302.002	Nut Hexagonal M3 Uni 5588
17	11011613	Coin Chute Ass.
18	11011615	Lever Ass. Coin Recovery
19	9111.397	Spring For Tray /Lever Coin Recove
20	123453102	Galv.Self Lock Nut High M4 Din 982
21	U201.005	Plain Washer 4,3X12 Din 7349 Gal
22	11011619	Support Lever Coin Recovery
23	129825002	Tcb Screw M4X20 Uni 7687 Znp
24	U116.005	Screw Aut.Pt Tcb 3,0X8 Wn 1441
25	11025096	Coin Case Atl500
26	9111.174.050	Coin Hopper
27	12001902	Lock Meroni 337
28	U127.011	Screw Tapt.Tcb M5,0X8 Din 7500C
29	11023260	Support Coin Box Atlante500
30	U110.011	Screw Aut.Tcb 2,9X9,5 Din 7981 F
31	12000962	Multigrip Rivets 4.8X11
32	U109.022	Screw Aut.Tcb 4,2X13 Din 7981 C
33	1863.012.050	Compartment Dispenser
34	U019.005	Steil Screw M5,0X10 Uni 5923 Galv.
35	1863.013	Lens For Compartment Dispenser
36	11001836	Fs400 Standard Grill
37	9111.368.050	Variable Cup Support Black
38	1863.023.050	Water Drip Tray
39	1863.024	Stirrup For Compartment Dispenser
40	U110.005	Screw Aut.Tcb 3,9X9,5 Din 7981 F
41	U043.028	Screw Tcbc M3,0X10 Uni 7687 Galv.
42	11023128	Cover Support System Payment
43	NF11.015	Expansion Rivet D=2,8X8 Alu.
44	0875.365	Sup.Coin Box
45	123160502	Galvanized Nut M5 High Uni 5587-68
46	12002031	Knob D.18 M5X15
47	12002033	Knob D.18 M5X25
48	9111.614	Coin Box Anchoring Pin
49	0875.357	Ass.Fixing Plate Coin Box
50	1602.147	Bush For Door Connecting Rod

Pos. Code	Description	Note
51	123160302	Nut M3 High Uni 5587 Galvanized
52	11032971	Coin Box Support
53	U207.003	Plain Washer 3,2X7 Uni 6592 Galv.
54	11023127	Payment Systems Cover Atlante500
55	11023263	Cover Rinforce For Payment Systems
56	11031914	Dispensing Compartment
57	U043.015	Screw Tcbc M5,0X12 Uni 7687 Galv.
58	U324.005	Nut M3 Flanged Indented Base
59	9991.182	Magnet For Door Sg700
60	11012506	Cover Rinforce For Payment Systems
61	11023262	Reinforcement For Coin Box Atlante500
62	11024638	Ass.Support Coin Box
63	11013496	Frontal Plate Support Coin Box
64	1863.058	Left Support Disp.Comp. Black
65	U109.003	Screw Tcb 3,5X9,5 Din 7981 C Nick
66	U109.037	Screw Aut.Tcb 4,8X13 Din 7981 C
67	9111.373	Spring For Disp. Comp. Retaining
68	9111.372.050	Disp. Compartment Locking Lever Blac
69	9111.371.050	Right Support Disp. Comp. Black
70	11011662	Adjustable Plate
71	11011661	Duct Coin Recovery
72	U046.001	Screw Tefz M5,0X16 Uni 6921 Galv.
73	U207.009	Plain Washer 5,5X15 Uni 6593 Ga
74	11023487	Display Cover Atlante500 Blk
75	11013497	Left Plate Support Coin Box
76	U110.002	Screw Aut.Tcb 3,5X13 Din 7981 F
77	1863.032.A20	Cup Distr. Support
78	1863.033.A20	Cup Distr. Support
79	1863.649	Reed For Door
80	11009693	Sensor Bracket Vain Sg650
81	11023485	Glasses Support Atlante500 Blk
82	9991.093	Magnet D=9,5 X H=1,5
83	11032646	Cup Station'S Door
84	11008661	Door Guide Vain
85	11008670	Bracket For Micro
86	NV01.007	Adhesive Foot
87	11009689	Driptray Partition
88	129720902	Te Screw M5X10 Uni 5739 Znp
89	11006845	Door Conducting Coins Grey
90	11012507	Movable Plate For Atlante Door
91	12001178	Protect 8,5X15X13 Mod. 30.21.001
92	9111.357.050	Coin Chute Bottom Black
93	11008610	Lower Block Hinge Ass.
94	U046.006	Screw Te M6,0X10 With Washer
95	U046.005	Screw Te M5,0X10 With Washer
96	11012611	Ass.Blank Protection Coin Channel Atlant
97	12002034	Knob With Bush M5
98	U109.023	Screw Aut.Tcb 4,2X9,5 Din 7981 C
99	11031915	Dispensing Compartment Tank Atl500/700



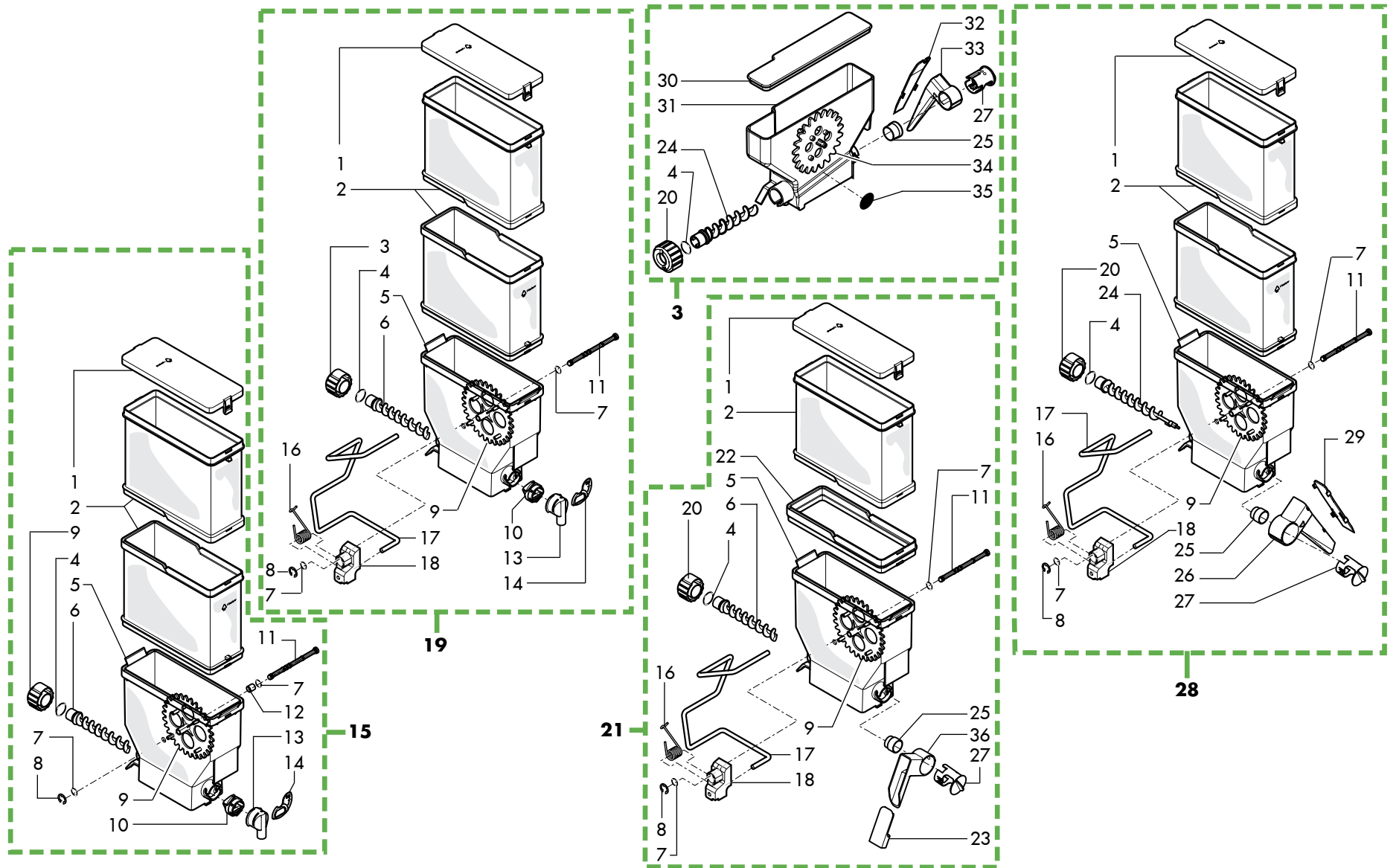
Pos. Code	Description	Note
1	9972.055 Silicone Tube 7X11 L.2000Mm	
2	NV99.099 Turbine D=1,2 932-9521/B Assy.	
3	NV03.006 Cap Kapsto Lpn 615/010	
4	9972.246 Silicone Tube 5X10 L.2000Mm	
5	NV99.087 Band D=11/11,6	
6	NV99.004 Connector T Moroni 8026047 D=8	
7	11032038 Filter Intake In Lung Water Supply	
8	U043.015 Screw Tcbc M5,0X12 Uni 7687 Galv.	
9	11025301 "Teflon Tube 3X6 L.220 1/8"-1/8"	
10	9070.034.00A Pompe Ulka Ep7	NE TTT
10	9070.042.00A Ulka Pump Ex5 Sd1	
11	149185850 Eaton Pump Support 4002012 Magic	
12	11005590 Safety Valve/Non Return Ass. New	
13	11025295 "Teflon Tube 3X6 L.170 1/8"-1/8"	NE TTT
14	11033562 Pump Ep7 T3X6 Atl700 Ttt 230V C/Sup	NE TTT
15	11032615 Fitting Adapter Valve	
16	20007360 Bypass Valve Fluid-O-Tech B7E	
17	11033446 Ulka Ex5 Sd1 Atlante	
18	9161.262.060 Drip Channel Cover	
19	9111.528.050 Coffee Discharge Channel	
20	NV99.050 Hoseclamp D. 13.3/14.1	
21	144650300 Aspiration Filter Gauze Net 500 (New)	NE TTT

Pos. Code	Description	Note
-----------	-------------	------



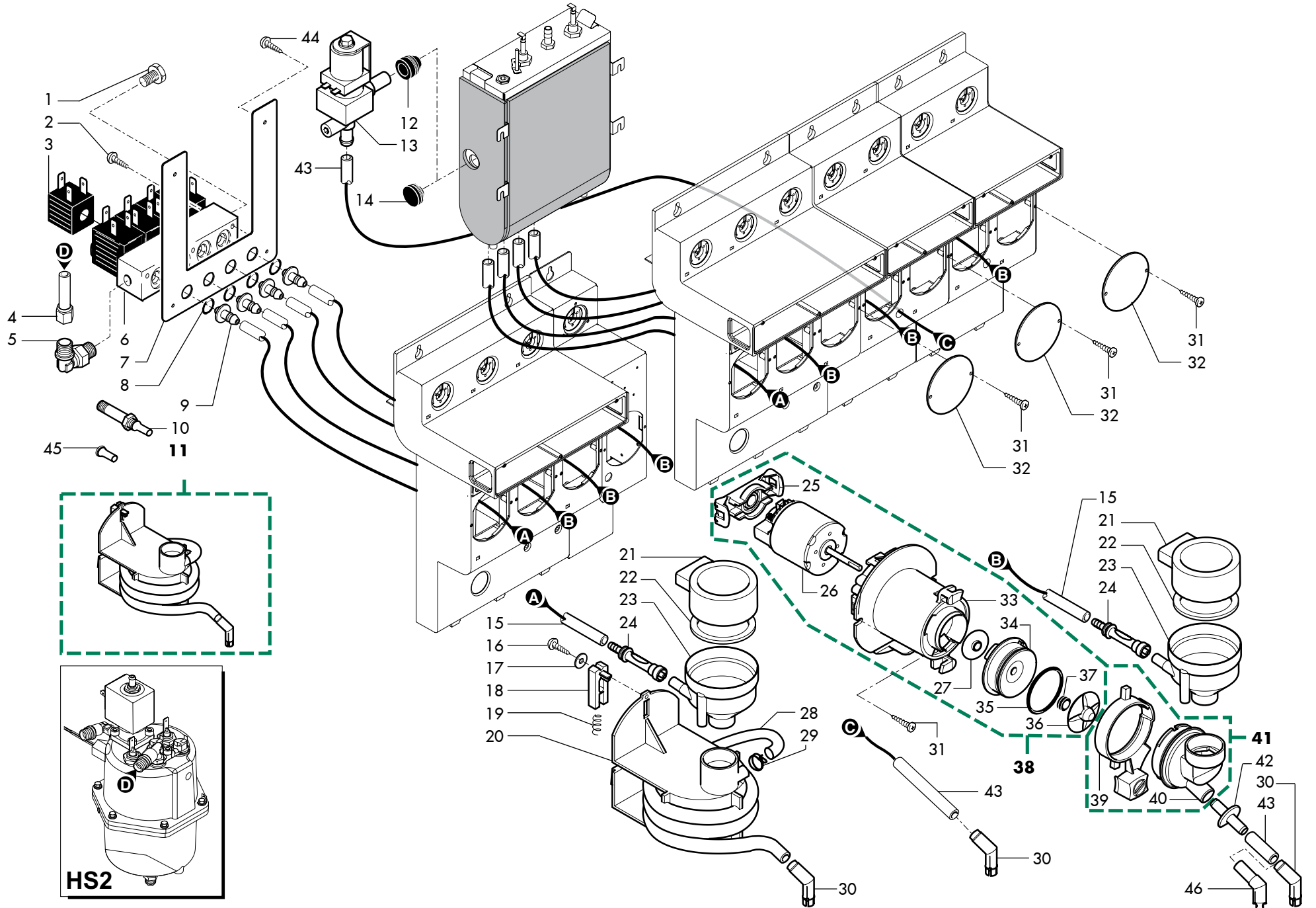
Pos. Code	Description	Note	
1	11001577	Extension Container Single Soluble	
2	11001576	Base Container Single Soluble	
3	11012130	Back Bush Reinforce	
4	11001658	Scroll Screw	
5	NM03.013	Or 2,3X15 Nbr	
6	NM03.022	Or Orm 0060-10 Nbr	
7	U701.003	Snap Ring 7 Uni 7434	
8	9111.702	Wheel Double Container	
9	11001654	Bush Container	
10	9111.425.060	Powder Duct	
11	9111.457.060	Bush For Left/Right Duct Cosmec	
12	9111.428.060	Plug For Left-Right Duct	
13	11010751	Assembly Single Container W/Switch	instant
14	11001578	Cover Container Single Soluble	
15	11032945	Space For Gear Bpa Free	
16	11001580	Pin Wheel Container Single Soluble	
17	11006124	Wire Agitator Unified	
18	9111.731	Spring	
19	11007155	Agitator Support	
20	11006373	Ass.Single Container W/Agitator Switch	instant
21	11004505	Assembly Single Container W/Switch	
22	11031883	Assembly Single Container	
23	21001290	Kit New Powder Dispensing System	
24	11031886	Assembly Single Container	
25	11028378	Front Bush	
26	11031678	Easy Dry Dispenser Aperture	
27	11031691	Carter For Gear Easy Dry	
28	11031679	Dispenser Fan Easy Dry	
29	11005182	Wheel Z=9	
30	11005168	Lid Carter Gear	
31	11031690	Wheel Z=18 Easy Dry	
32	9121.155	Hood For Ratiomotor	
33	9121.106.00P	Sugar Ratiomotor 24V Dc	
34	9111.131	Coupling For Solubles Motor	
35	U116.005	Screw Aut.Pt Tcb 3,0X8 Wn 1441	
36	11005180	Scroll Screw For New Dispenser Aperture	
37	11031692	Felt Ring De=47,4 Di=41,4H=4	
38	21002190	Kit Easy Dry 2	

Pos. Code	Description	Note
-----------	-------------	------



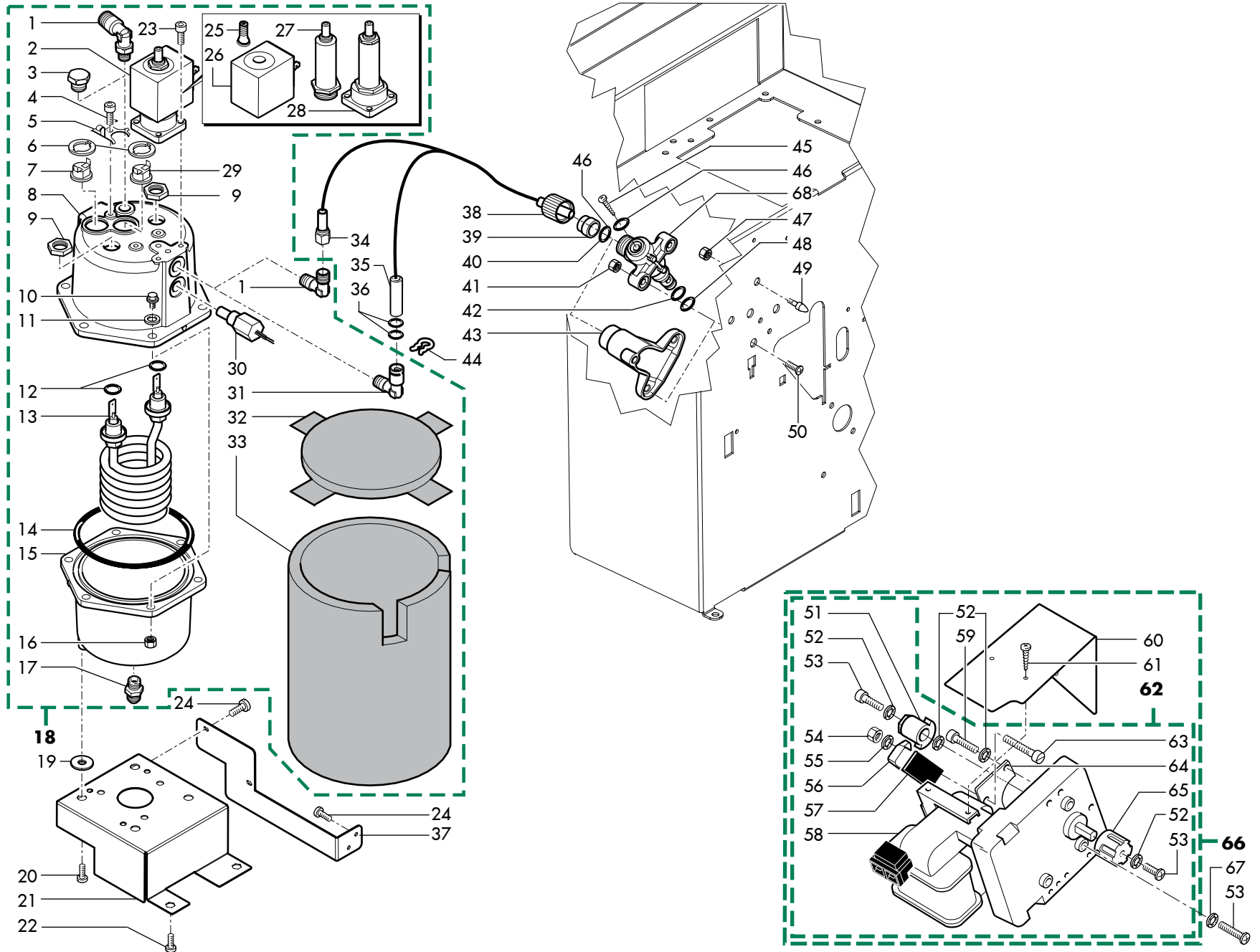
Pos. Code	Description	Note	
1	11001578	Cover Container Single Soluble	
2	11001577	Extension Container Single Soluble	
3	11032717	Assembly Soluble Container	
4	NM03.013	Or 2,3X15 Nbr	
5	11001576	Base Container Single Soluble	
6	9111.701	Scroll Screw Double Container	
7	NM03.022	Or Orm 0060-10 Nbr	
8	U701.003	Snap Ring 7 Uni 7434	
9	9111.702	Wheel Double Container	
10	9111.630.060	Bush For Powders Tank	
11	11001580	Pin Wheel Container Single Soluble	
12	11032945	Space For Gear Bpa Free	
13	9111.629.060	Aperture For Solubles Hopper	
14	9111.338.270	Bulkhead For Apert. Closure Orange	
15	11026696	Assembly Single Container	
16	9111.731	Spring	
17	11006124	Wire Agitator Unified	
18	11007155	Agitator Support	
19	11031640	Assembly Single Container With Agitator	Capsbean
20	11012130	Back Bush Reinforce	
21	11032718	Assembly Single Container H.350	Capsbean
22	11032119	Adapter For Extension Container Soluble	
23	9111.428.060	Plug For Left-Right Duct	
24	11001658	Scroll Screw	
25	11001654	Bush Container	
26	11029131	Switch Coffee For Atl700 Ttt EtI	
27	9111.457.060	Bush For Left/Right Duct Cosmec	
28	11029126	Ass.Single Container W/Agitator Switch	NE TTT
29	11029495	Switch Cover Coffee 'X Atl700Ttt EtI	
30	11011560	Coperchio Cont. Small Instant 5P07	
31	11011559	5P07 Instant Small Container	
32	11032635	Cover Switch Caps Atl500	
33	11032634	Switch For Caps Atl500	
34	11032879	Container Wheel Sugar	
35	9111.646	Adhesive For Tank	

Pos. Code	Description	Note
-----------	-------------	------



Pos. Code	Description	Note	
1	12001169	Brass Cap 1/8 Gas Conical Tea	
2	129516803	Screw Tcb3,5X19 Din 7981 Nick	
3	20005373	Solenoid X Hs1 11023762	
4	11025301	"Teflon Tube 3X6 L.220 1/8"-1/8"	
5	11025082	"1/8"G M/Conical Orient. Nut/Ogv"	
6	11011470	Block 4 Electrovalve Dc Olab Tea	
7	11033898	Electrovalve Support	
8	NM01.004	Or 2025 Silicone	
9	11011453	Rubber Holder Connector Tea	
10	20005374	Ass.Nucleus 6000Bh/Bodn X 11009225	
11	1863.A10	Ass.Mixer Fs400	
12	9111.507	Tube Grommet For Solenoid Valve	instant - TTT
13	11032608	Soluble Electrovalve 24Vdc Ode	instant - TTT
14	9011.195	Plug For Boiler	instant
15	9972.246	Silicone Tube 5X10 L.2000Mm	
16	U116.005	Screw Aut.Pt Tcb 3,0X8 Wn 1441	
17	U207.004	Plain Washer 4,3X16 Uni 6592 Gal	
18	9111.209.060	Cursor For Spiral Mixer Fixing	
19	9111.211	Spring For Mixer Cursor	
20	9111.643.060	Rapid Fixing Mixer	
21	9111.010.060	Lid For Funnel Brown	
22	9111.011.060	Seal For Funnel Brown	
23	9111.009.060	Funnel For Powders Brown	
24	11011394	Nozzle Ass. Espresso D.3	instant - NE TTT
24	1863.A07	Espresso Nozzle	espresso
25	9111.771.270	Motor Coupling Orange Ral	
26	9121.248.00P	Mixer Motor '05 24V Dc	
27	9111.773.060	Motor Protection Ring	
28	9972.055	Silicone Tube 7X11 L.2000Mm	
29	NV99.072	Hose Clamp D. 11.6/12.3	
30	9111.349	Elbow Dispensing Nozzle	
31	U116.006	Screw Aut.Pt Tcb 3,5X12 Wn 1441 Znp	
32	9111.405.060	Mixer Hole Cap Brown	instant
33	9111.769.150	Mixer Flange	
34	9111.770.060	Cover Mixer Flange	
35	NM03.012	Or Orm 0320-25 Nbr	
36	9111.772.060	Disk Fan	
37	NM05.015	V-Ring Mixer '05	
38	9110.160.06P	Ass.Mixer '05 24V Dc	
39	9111.230.270	Mixer Locking Ring Nut Orange Ral	
40	9111.227.060	Mixer Casing	
41	9110.027.060	Mix Casing Ass.	
42	9111.232.060	Std Tube Holder Sleeve	
42	9111.233.060	Decaff.Tube Holder Sleeve	only decaffinato - NE
43	9972.057	Silicone Tube 5X8 L.2000Mm	
44	U110.003	Screw Aut.Tcb 3,5X9,5 Din 7981 F	
45	20007305	Spare Ev Mobile Core 11023762	
46	11031815	Rx Elbow Dispensing Nozzle	

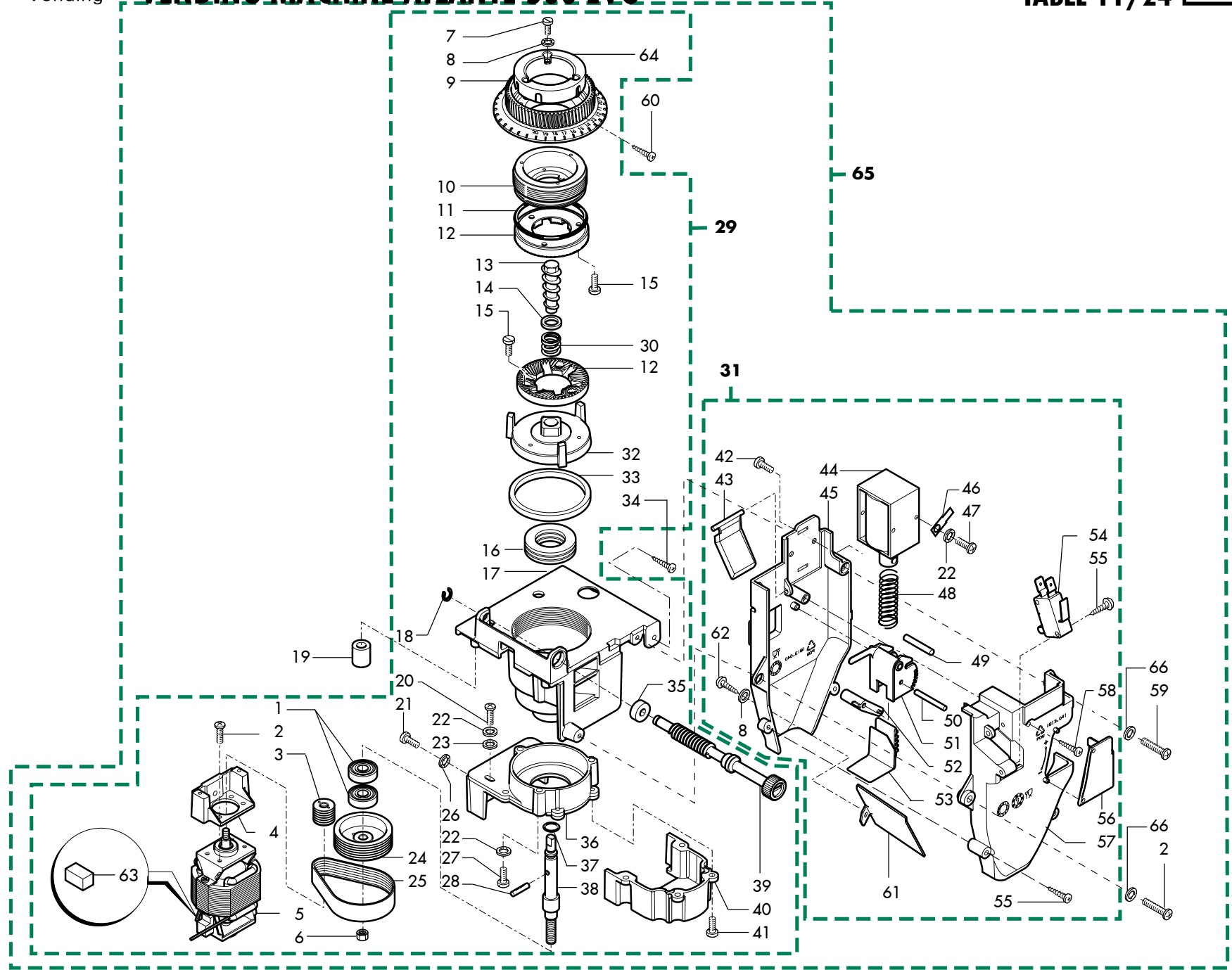
Pos. Code	Description	Note
15	9972.246	Silicone Tube 5X10 L.2000Mm
21	9111.010.060	Lid For Funnel Brown
22	9111.011.060	Seal For Funnel Brown
23	9111.009.060	Funnel For Powders Brown
24	11011394	Nozzle Ass. Espresso D.3
24	1863.A07	Espresso Nozzle
25	9111.771.270	Motor Coupling Orange Ral
26	9121.248.00P	Mixer Motor '05 24V Dc
27	9111.773.060	Motor Protection Ring
28	9972.055	Silicone Tube 7X11 L.2000Mm
29	NV99.072	Hose Clamp D. 11.6/12.3
30	9111.349	Elbow Dispensing Nozzle
31	U116.006	Screw Aut.Pt Tcb 3,5X12 Wn 1441 Znp
32	9111.405.060	Mixer Hole Cap Brown
33	9111.769.150	Mixer Flange
34	9111.770.060	Cover Mixer Flange
35	NM03.012	Or Orm 0320-25 Nbr
36	9111.772.060	Disk Fan
37	NM05.015	V-Ring Mixer '05
38	9110.160.06P	Ass.Mixer '05 24V Dc
39	9111.230.270	Mixer Locking Ring Nut Orange Ral
40	9111.227.060	Mixer Casing
41	9110.027.060	Mix Casing Ass.
42	9111.232.060	Std Tube Holder Sleeve
42	9111.233.060	Decaff.Tube Holder Sleeve
43	9972.057	Silicone Tube 5X8 L.2000Mm
44	U110.003	Screw Aut.Tcb 3,5X9,5 Din 7981 F
45	20007305	Spare Ev Mobile Core 11023762
46	11031815	Rx Elbow Dispensing Nozzle



Pos. Code	Description	Note
1	12001181 Biconical Connect. L M 1/8X06 Tea	
2	11012534 Tea Electrovalve 2/3 Way N.C.	
3	12001169 Brass Cap 1/8 Gas Conical Tea	NE TTT
4	12001052 Screw Tcei M4,0X6 Din 912 Zin	
5	226760100 Retaining Spring 3 Thermostats	
6	9991.085 Thermostat Fixing Washer	
7	NE09.021 Thermostat 150°Nc Faston 90°	
8	11012528 Upper Casing Boiler 600Cc Tea	
9	9991.029 Nut For Resistor	
10	U023.020 Screw Tcei M6X20 Uni 5931 Zin	
11	U204.001 Elas. Washer 6,4X11,4 Uni 1751 Zin	
12	11000972 Or 3050 Fkm 80 Fd Peroxidica	
13	11005367 Heat Element Boiler 230V 1550W	
14	12000770 Or Orm 4350 Viton	
15	11012529 Lower Casing Boiler 600Cc Tea	
16	U302.004 Nut Hexagonal M6 Uni 5588	
17	11027089 Water Inlet Connector	
18	11026694 Hs2 Boiler Atl 650 230V 50Hz Tea	NE TTT
18	11030609 Ass.Boiler Atlante500 Tea 230V C.B.	
19	9111.501 Insulation Washer	
20	U046.005 Screw Te M5,0X10 With Washer	
21	11033025 Boiler Support Atlante	
22	U043.015 Screw Tcbc M5,0X12 Uni 7687 Galv.	
23	12001179 Screw Tcei M4,0X12 Uni 5931 8.8 Zin.	
24	U110.004 Screw Aut.Tcb 3,5X6,5 Din 7981 F	
25	20007362 Spare Core Ev Ode	
26	20007361 Solenoid Evt Ode	
27	20007363 Spare Evt Ode	
28	20007370 Spare Evt 11012534	
29	189428700 Thermostat 175° 1Nt-15L-5126	
30	11005368 Immersion Probe Ass.	
31	11029569 Connector	
32	11030776 Coffee Boiler 600Cc Upper Isolator	
33	11030778 Coffee Boiler 600Cc Upper Isolator	
34	11025301 "Teflon Tube 3X6 L.220 1/8"-1/8"	
34	11025406 Tube Assembly Teflon 3X6 L.250Mm	NE TTT
35	11030637 Tube Teflon 4X2 L.250	
36	NM02.028 Or 2015 Epdm Fda	
37	11032745 Lower Support Boiler 300Cc	
38	11029574 Knurled Female Hand Bolt M14	
39	9991.111 Brass External Bush For Teflon Tube D=4	
40	12001810 Or 275 De.8,04 Silicone Perno Manicotto	
41	U302.003 Galv.Nut Hexagonal M4 Uni 5589 Zn	
42	11013173 Or Orm 0090-20 Fkm 80 Fd Green Peroxida	
43	11013431 Phedra Ttt Sleeve Ttt Circuit	NE TTT
44	9011.144 Ss Fork For Tube D=4	
45	U109.037 Screw Aut.Tcb 4,8X13 Din 7981 C	
46	140321462 O-Ring 2018 Silicone	
47	U324.003 Nut M5 Flanged Indented Base	

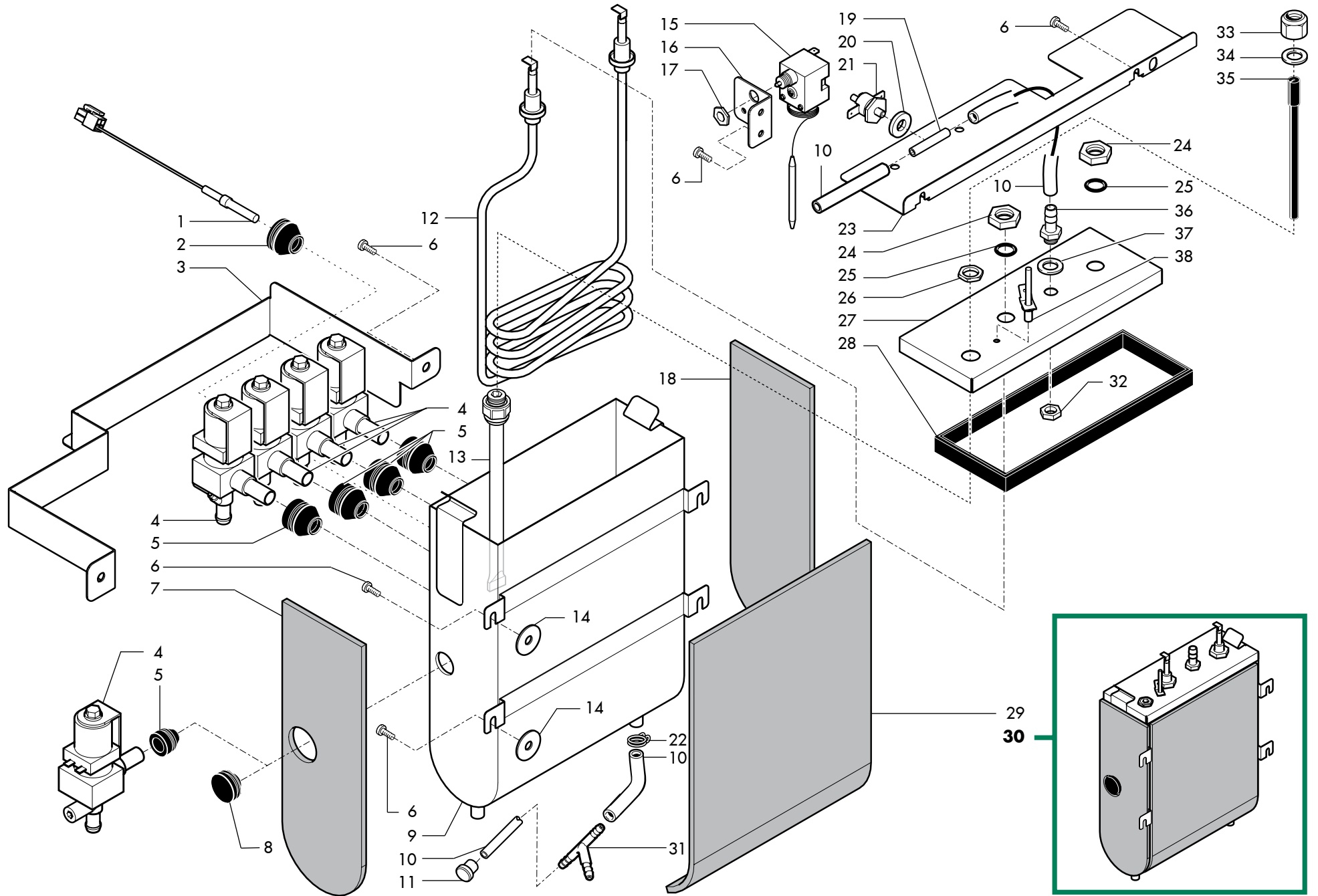
Pos. Code	Description	Note
48	11013174 Or Orm 0050-20 Fkm 80 Fd Green Peroxida	
49	11006046 Peg For Boiler	
50	U044.013 Screw Tspc M4,0X12 Uni 7688 Galv.	
51	11003525 Cam Coffee Group Fresh Brew	NE TTT
51	9991.037 Cam For Ratiomotor 1 Micro	
52	128310404 Washer Uni 8842 A4 Burnished	
53	129824002 Tcb Screw M4X10 Uni 7687 Znp	
54	U302.002 Nut Hexagonal M3 Uni 5588	
55	U208.002 Toothed Washer 3,3X5,8 Uni 3703 G	
56	NE05.066 Microswitch Cherry D419Q1A	
57	9991.014 Card For Micro Switches	
58	11032817 Ratiomotor 30 Pack 230/240-50	
59	129825502 Tcb Screw M4X25 Uni 7687 Znp	
60	11014251 Central Unit Motor Steel Carter	
61	129511903 Screw Tcb 2,9X6,4 Din 7981 Bz Nick	
62	9120.002.00A Ratiomotor Ass. Da 3/5P 230V	
63	U034.003 Screw Tci M3,0X20 Uni 6107 Galv.	
64	11003524 Plate For Micro Ratiomotor	NE TTT
64	9991.015 Plate For Micro	
65	9991.013 Joint For Ratiomotor	
66	11025216 Ass.Ratiomotor For Da 230V Fs400	NE TTT
66	11033925 Coffee Module 1 Grind	
67	U207.002 Plain Washer 4,3X9 Uni 6592 Gal	
68	11005370 Pin For Muff	

VENDING MACHINE ATLANTE 500 EVO



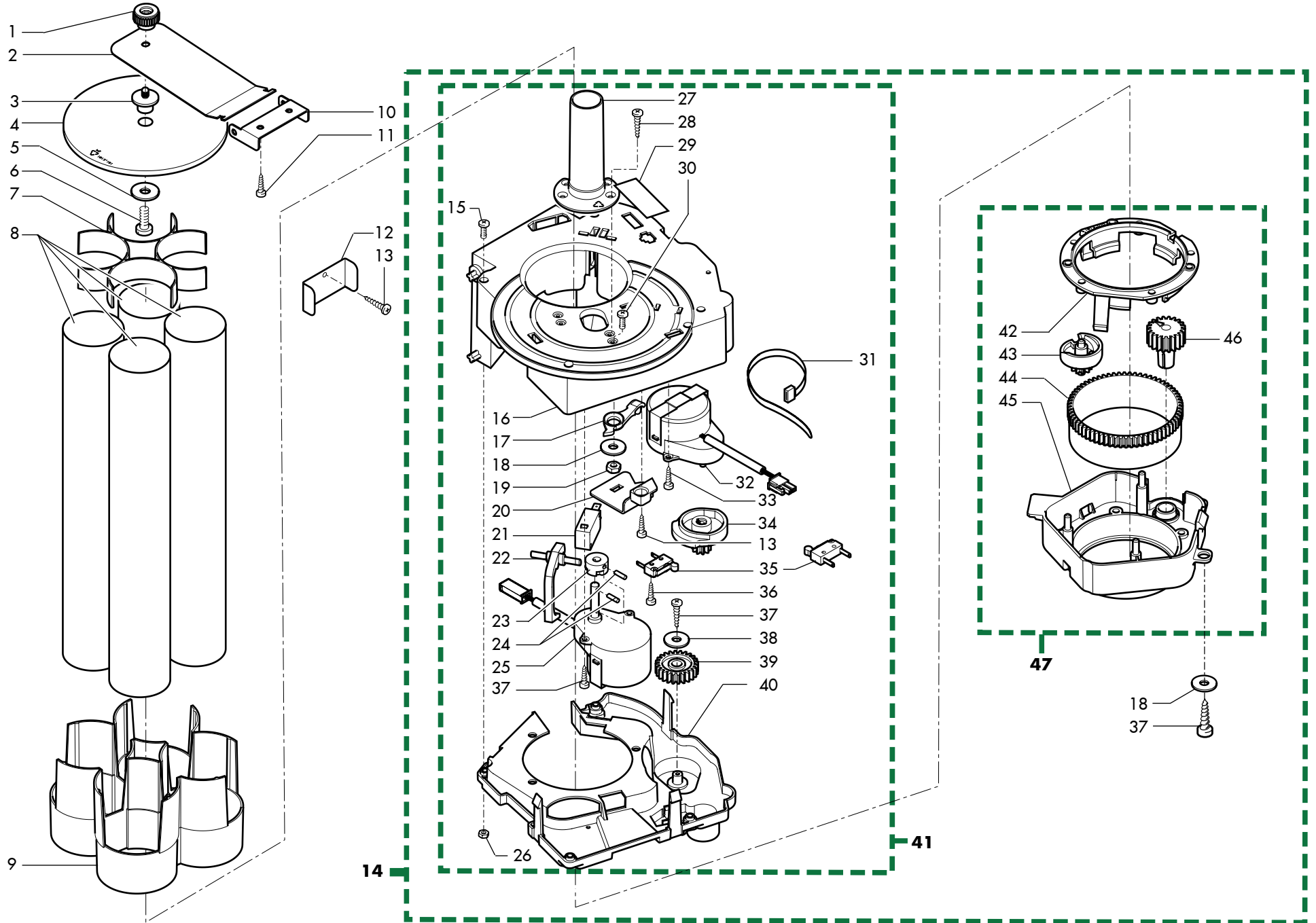
Pos. Code	Description	Note
1	11025696	Bearing Rtp 608-2Z
2	12002039	Screw Tcbd Torx 20 M4X12 Zn-B
3	11025690	"Pulley D.15 ""Grind 48""
4	11027163	Motor Support Grinders D.48
5	11027396	Coffeegrinder Motor D.48 230V
6	U310.004	Nut Self Lock.M6 Uni 7473
7	U043.023	Screw Tcbc M3,0X18 Uni 7687 Galv.
8	U208.002	Toothed Washer 3,3X5,8 Uni 3703 G
9	11032640	Stop Grind X Atl700 Ttt D.48
9	1813.103.A20	Ring Nut Of Grind Regulation
10	11025692	"Upper Grinding Disk Holder ""Grind 48""
11	12001617	Or 3206 Nbr
12	11021838	Flat Mill D.43 Tea
13	11025695	"Increase Screw ""Grind 48""
14	11027418	Spacer For Screw Of Increase
15	U043.007	Screw Tcbc M3,0X8 Uni 7687 Galv.
16	11025699	Bearing Rtp 51104
17	11027162	Grinders Cap D.48
18	U701.011	Steel Snap Ring 5 Uni 7434
19	1813.046.050	Rubber Grind Support
20	12002052	Zn-B Tcb Screw M4X16
21	U023.004	Screw Tcei M6,0X12 Uni 5931 Galv.
22	128310404	Washer Uni 8842 A4 Burnished
23	U207.004	Plain Washer 4,3X16 Uni 6592 Gal
24	11025689	"Pulley D.40 ""Grind 48""
25	11032130	Belt Grinder Coffee
26	U208.006	Toothed Washer 6,4X11 Uni 3703
27	12001700	Screw Tcb M4X30 Uni 7687 Znp
28	11025921	Power Plug Uni-En 28743 D.3X14
29	11027165	Coffee Grinder D.48
29	11031412	Coffee Grinder D.48 Ttt
30	11025694	"Spring ""Grind 48""
31	11026301	Doser Ass. 6-11 Gr. 220V
31	1813.A10.A2A	Doser Ass. 6-11 Gr.
32	11025691	"Lower Grinding Disk Holder ""Grind 48""
33	11027451	Felt Ring De=47,4 Di=41,4H=4
34	U116.006	Screw Aut.Pt Tcb 3,5X12 Wn 1441 Znp
35	1813.159	Antivibration Rubber
36	11027164	Motor Support Grinders D.48
37	140321662	O-Ring 2021 Silicone
38	11025693	"Central Pin ""Grind 48""
39	1813.104.A20	Adjustment Screw With Tube Holder
40	11027186	Shell Closure Belt
41	U127.010	Screw Tapt.Tcb M4,0X10 Din 7500C
42	12002151	Tsp Screw M3X4 Uni 7688 Ss
43	1813.042.A20	Dispenser Pallet
44	9121.235.00A	Electromagnet For Dispenser With Nucleus
45	11026302	Dispenser Shell
45	1813.040.A20	Dispenser Shell

Pos. Code	Description	Note
46	NE15.003	Male Tongue Plain 6,3 D.5,2
47	129821402	Tcb Screw M3X4 Uni 7687 Znp
48	1813.127	Spring For Electromagnet
49	1813.092	Pin
50	1813.091	Pin For Dispenser Regulation
51	1813.043.A20	Dispenser Regulation
52	1813.078.A20	Adjustment Lever
53	1813.044.A20	Pallet For Regulation
54	NE05.062	Microswitch + Wheel
55	U116.004	Screw Aut.Pt Tcb 3,0X16 Wn 1441
56	1813.191.A20	Dispenser Cover
57	11026303	Outside Shell Dispenser
57	1813.041.A20	Outside Shell Dispenser
58	12000390	Screw Aut.Tcb 2,9X25 Din 7981 C Nik
59	129825502	Tcb Screw M4X25 Uni 7687 Znp
60	U109.004	Screw Aut.Tcb 4,8X9,5 Din 7981 C
61	11026304	Tube Conveyor Coffee Lx Atl650
62	129511903	Screw Tcb 2,9X6,4 Din 7981 Bz Nick
63	20007420	Motor Brush
64	11032110	Bush
65	11027395	Coffee Grinder D.48 + Dispenser
65	11027721	Coffee Grinder D.48 + Dispenser Lx
65	11031411	Coffee Grinder D.48 + Dispenser
66	U205.004	Curved Washer 4,3X8 Uni 8840A B

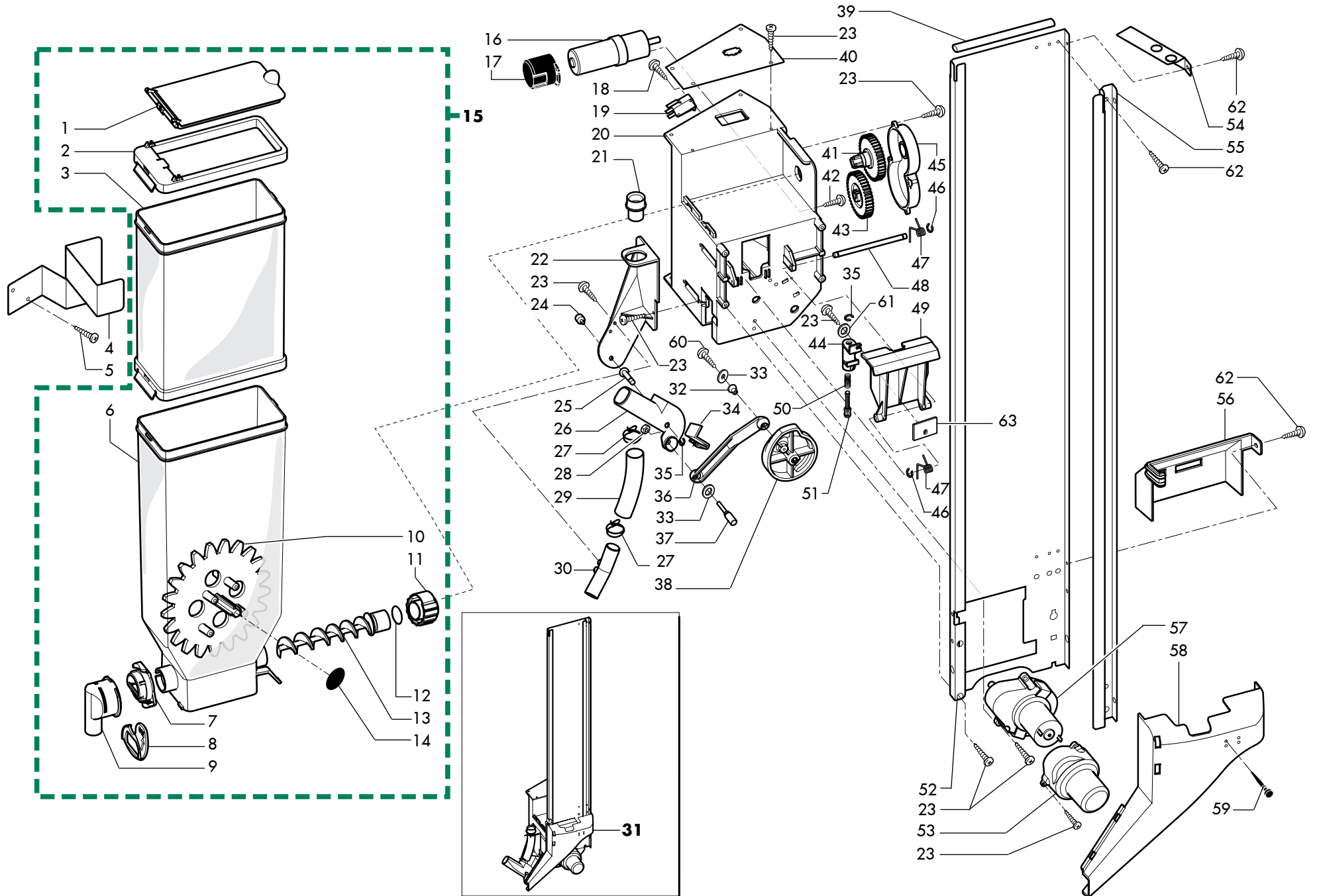


Pos. Code	Description	Note
1	NE13.065 Solubles Probe Ass.	
2	9011.210 Tube Grommet Immersion Probe D6	
3	11023452 Omega Fixing For Solubles Electrovalve	
4	11032608 Soluble Electrovalve 24Vdc Ode	instant - TTT
5	9111.507 Tube Grommet For Solenoid Valve	instant - TTT
6	U127.011 Screw Tapt.Tcb M5,0X8 Din 7500C	
7	11023468 Side Steam Boiler Isolator	
8	9011.195 Plug For Boiler	instant
9	11032605 Boiler Atlante500	
10	9972.055 Silicone Tube 7X11 L.2000Mm	
11	NV03.006 Cap Kapsto Lpn 615/010	
12	11023475 Heat Element Boiler 230V 2160W	
13	9110.068 Ass.Tube For Limiter	
14	1843.018 Insulator For Boiler Support	
15	NE09.035 Limiter Ty95H	
16	9111.598 Support	
17	NV99.093 Nut	
18	11009951 Side Boiler Isolator	
19	0871.164 Tube For Thermostat	
20	NV99.071 Plain Washer 5,5X12 In Copper	
21	NE09.029 Unipolar Thermostat Manual Reset	
22	NV99.087 Band D=11/11,6	
23	11023453 Separator Boiler Atlante500	
24	9991.029 Nut For Resistor	
25	11000972 Or 3050 Fkm 80 Fd Peroxidica	
26	WGAND01/016 "1/4" Gas Nut"	
27	11023472 Boiler Lid	
28	11023473 Boiler Seal Solubles Atlante500	
29	11023474 Back Steam Boiler Isolator Atlante500	
30	11023467 Ass.Boiler 230V Atlante500	instant
30	11031408 Ass.Boiler 230V Atl500 Ttt	NE
31	NV99.004 Connector T Moroni 8026047 D=8	
32	0871.139 Hexagonal Nut Ch.14 1/8 Gas	
33	9181.135 Nut 1/4 Tube D.8 Profi	
34	U207.005 Plain Washer 6,4X11 Uni 6592 Gal	
35	1812.070 Rubber	
36	0871.141 Male Rubber Holder Cyl. D.9	
37	0871.140 Copper Washer	
38	12002060 Rivet Ground One Terminal 1000071	

Pos. Code	Description	Note

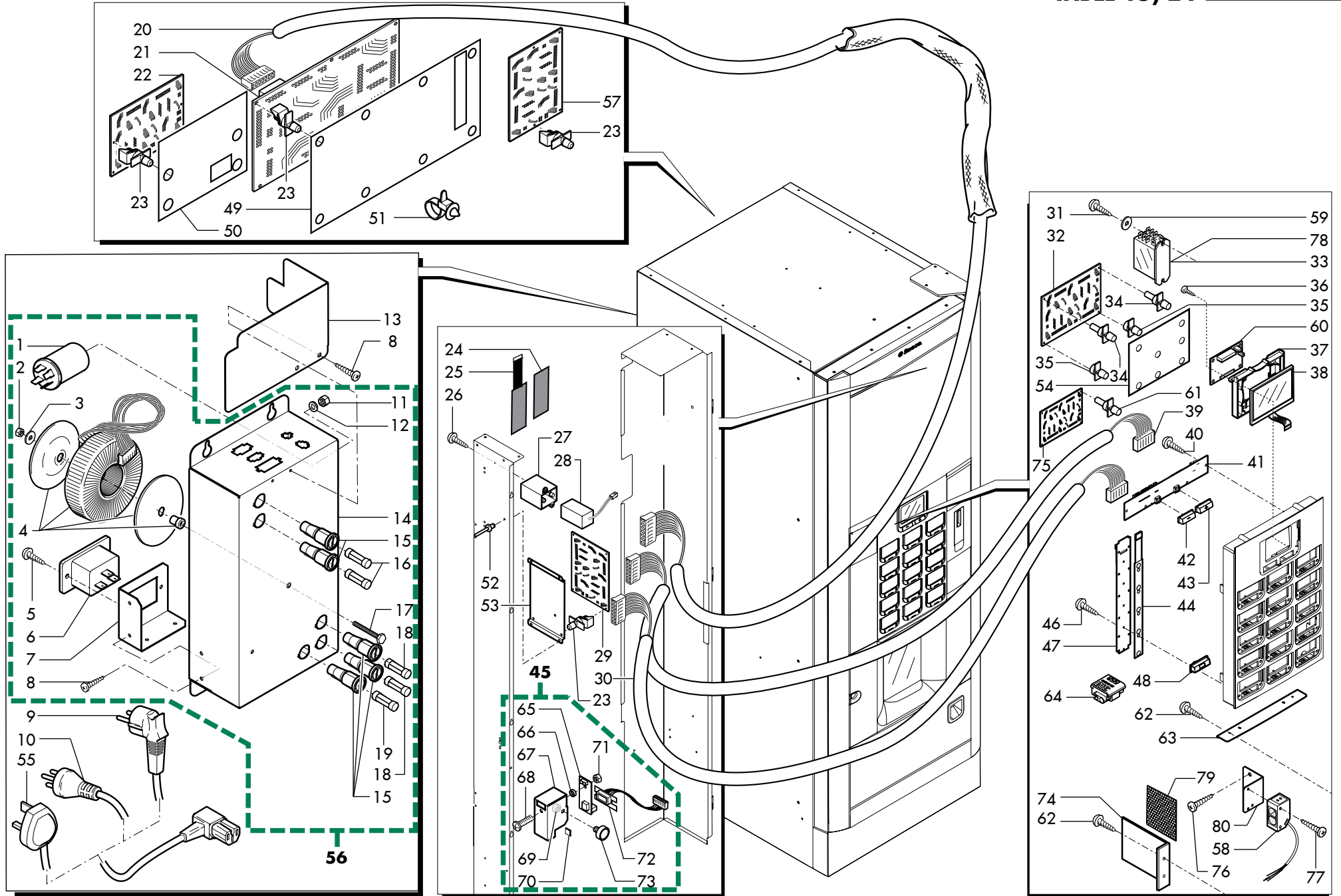


Pos. Code	Description	Note	Pos. Code	Description	Note
1	12002034	Knob With Bush M5			
2	11009678	Basket Stop Plate Sg650			
3	11010585	Central Pin For Cup Column			
4	11028032	Tank Lid Glasses			
5	U207.009	Plain Washer 5,5X15 Uni 6593 Ga			
6	U043.021	Screw Tcbc M5,0X8 Uni 7687 Galv.			
7	11005072	Cup Tube Fixing Spring			
8	11001422	Tube Pvc 80X1.5 L=705			
9	11000976	Tank Drinks			
10	11009680	Basket Stop Bracket Sg650			
11	U109.003	Screw Tcb 3,5X9,5 Din 7981 C Nick			
12	1813.162	Bracket Stop Dispencer			
13	U109.018	Screw Aut.Tcb 3,5X6,5 Din 7981 C			
14	11023434	Dispenser Assmly 4 Columns			
15	U034.001	Screw Tci M3,0X30 Uni 6107 Galv.			
16	11000785	Upper Casing Dispenser Glasses			
17	11007352	Lever			
18	U212.006	Washer 3,2X11X0,5 Znp			
19	U310.001	Galv.Self Lock. Nut M3 Uni 7473			
20	11007356	Micro Cover			
21	NE05.065	Microswitch Cherry D41Rq3Aa			
22	1813.067.A20	Lever			
23	11007353	Cam			
24	11009494	Brass For Motor Saia Uds1 Cod.416616310			
25	11009493	Motor Saia Uds1Ud5M75Can3Kz286			
26	U324.005	Nut M3 Flanged Indented Base			
27	11000642	Tube For Basket Glasses			
28	U111.008	Nick.Screw Aut. Tsp 3,5X9,5 Din 7982 C			
29	11001467	Adhesive Label Pvc 54X30 Mm			
30	129852821	Tsp Screw M3X14 Uni 7688 Ss			
31	144320200	Self Lock Strip W=2.6 L=200			
32	9121.226.00A	Motor Saia Uds 5 Rpm 220V			
33	U109.005	Screw Aut.Tcb 3,5X16 Din 7981 C			
34	1863.066.A20	Disengage Cam Glasses			
35	NE05.064	Microswitch Saia V4Nc			
36	129510503	Screw Tcb 2,2X12,7 Din 7981 Nick			
37	U116.005	Screw Aut.Pt Tcb 3,0X8 Wn 1441			
38	U201.001	Plain Washer 3,2X9 Din 7349 Galv.			
39	1813.068.A20	Toothed Wheel			
40	1813.062.A20	Lower Casing Dispenser Glasses			
41	11023435	Ass.Dispenser 4 Columns			
42	11000786	Retaining Ring			
43	1813.072.A20	Snail For Glasses D.70			
44	1813.073.A20	Toothed Wheel For Snail			
45	11000833	Snail Support			
46	1813.074.A20	Toothed Wheel			
47	11000835	Ass.Snail Support			



Pos. Code	Description	Note
1	9111.683 Soluble Cover	
2	9111.696 Cover Sugar Container	
3	11004610 Extension For Container Sugar	
4	11009957 Plate Stop Container Sugar Sg650	
5	U109.003 Screw Tcb 3,5X9,5 Din 7981 C Nick	
6	9111.685 Sugar Container	
7	9111.630.060 Bush For Powders Tank	
8	9111.338.270 Bulkhead For Apert. Closure Orange	
9	9111.629.060 Aperture For Solubles Hopper	
10	11032878 Container Wheel Sugar Bpa Free	
11	11012130 Back Bush Reinforce	
12	NM03.013 Or 2,3X15 Nbr	
13	9111.726 Scroll Screw Sugar Container	
14	9111.646 Adhesive For Tank	
15	11005129 Assembly Sugar Container	all except instant
16	9121.106.00P Sugar Ratiomotor 24V Dc	all except instant
17	9121.155 Hood For Ratiomotor	all except instant
18	U110.007 Screw Aut.Tcb 2,9X16 Din 7981 F Znp	
19	NE05.002 Microswitch	
20	11033196 Support Stirrer	
21	9111.699 Aperture Sugar Tube	all except instant
22	9111.686.A20 Support Sugar Conveyer	all except instant
23	U116.006 Screw Aut.Pt Tcb 3,5X12 Wn 1441 Znp	
24	11000388 Knob M3 Sugar Conveyer	all except instant
25	11000389 Grained Pivot Sugar Coveyer	all except instant
26	9111.690 Sugar Conveyer	all except instant
27	9111.553 Self-Energizing Spring For Tube D.2	all except instant
28	123160302 Nut M3 High Uni 5587 Galvanized	all except instant
29	9111.700 Sugar Tube	all except instant
30	9111.697 Connector Sugar Tube	all except instant
31	11033211 Sugar/Spoons Dispender 24Vdc 25Rpm	all except instant
31	11033214 Stirrer Dispenser Atl700 Instant 25Rpm	all except instant
32	9111.705 Spherical Pin	all except instant
33	U201.001 Plain Washer 3,2X9 Din 7349 Galv.	
34	9111.727 Bulkhead Sugar Conveyer	all except instant
35	U701.011 Steel Snap Ring 5 Uni 7434	
36	9111.691 Connecting Rod Sugar Dispencer	all except instant
37	11004295 Knob For Sugar Connecting Rod Pipe	all except instant
38	11008685 Sugar Cam	
39	9111.668 Stirrer Disp.Counterweight D.10	
39	9111.669 Stirrer Disp.Counterweight D.10	
39	9111.745 Stirrer Disp.Counterweight	NE
40	9111.707 Reinforcing Plate	
41	9111.694 Joint With Gear	all except instant
42	U116.005 Screw Aut.Pt Tcb 3,0X8 Wn 1441	all except instant
43	9111.695 Gear Z40	all except instant
44	9111.737 Support	
45	9111.687.A20 Gear Cover	all except instant
46	U701.006 Snap Ring 3,2 Uni 7434	

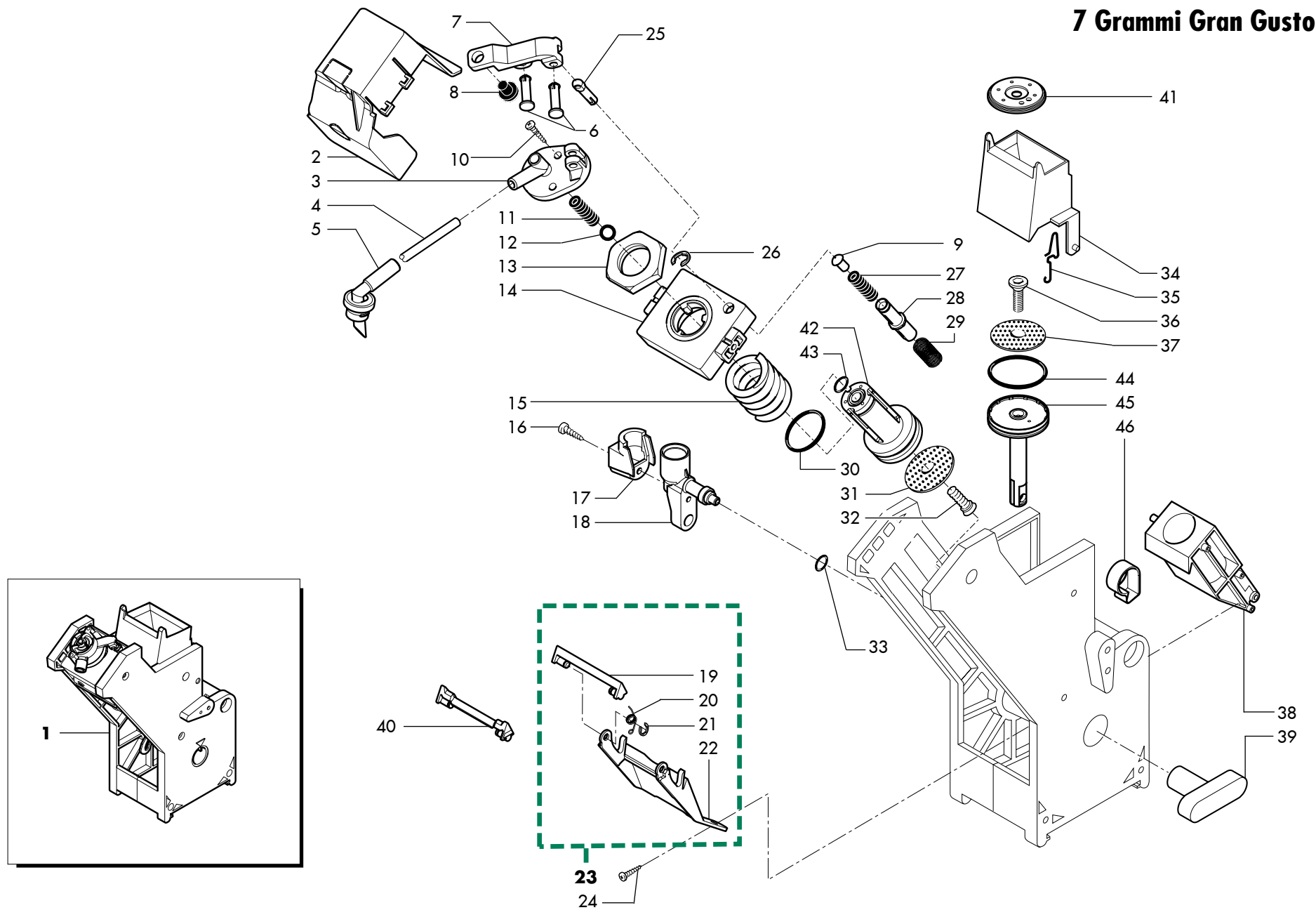
Pos. Code	Description	Note
47	9111.730 Spring	
48	9111.376 Pin For Stirrer Expeller	
49	11011240 Stirrer Expeller Black New	
50	11031341 Spring	
51	11002209 Pin	
52	11009171 Stirrer Guide Adjustable 90-115 Sg650	
53	11025411 Cristallo Spoon'S Motor Cover	
54	11009172 Bracket For Stirrer Guide Sg650	
55	11009139 Stirrer Guide Sg650	
56	11007444 Carter	
57	11033191 Gearmotor Mechtex 25 Rpm	
58	9111.698.A20 Stirrer Slide	
59	9161.082 Rubber Coupler	only pal.90
60	U116.004 Screw Aut.Pt Tcb 3,0X16 Wn 1441	
61	U207.003 Plain Washer 3,2X7 Uni 6592 Galv.	
62	U110.004 Screw Aut.Tcb 3,5X6,5 Din 7981 F	
63	11025089 Plate Reinforcement	



Pos. Code	Description	Note
1	184651500	Locking Screw Antidisturb Filter 16A
2	U310.004	Nut Self Lock.M6 Uni 7473
3	U207.013	Plain Washer 6.5X18 Uni 6592 Galv
4	NE19.028	Toroidal Transformer Fs 400
5	U111.008	Nick.Screw Aut.Tsp 3,5X9,5 Din 7982 C
6	NE13.055	Cup Socket 16A
7	11008833	Power Connector Support
8	U110.003	Screw Aut.Tcb 3,5X9,5 Din 7981 F
9	NE01.101	Cable Schuko 16A En 60320 C19
10	11012105	Cable Aus + Plug En60320 C19
10	11012275	Cable Ra + Plug En60320 C19
10	11032544	Power Cable Bra 16A 3X1,5
11	U302.007	Nut Hexagonal M8 Uni 5588
12	U208.009	Toothed Washer 8,4X15 Uni 3703
13	11009894	Safety Plate For Connector
14	11008832	Cpu For Trasformer
15	NE13.016	Fuse Holder With Screw On Cap
16	12001112	Fuse 6,3X32 T 12A
17	U005.013	Screw Te M6,0X70 Uni 5739 Galv.
18	NE13.091	Fuse T 4A 6.3X32
19	NE13.043	Fuse 6,3X32 6,3A 250V Delayed
20	11032237	Harness Atl700
21	11008856	Sg650 Power Board
22	11008857	Sg650 Triac Board
23	9111.402	Spacer For Card
24	0875.990	Touch Panel Plate
25	0875.741	Touch Panel
26	U116.005	Screw Aut.Pt Tcb 3,0X8 Wn 1441
27	9991.140.050	Impulscounterholder Keisu Gx-06R
28	NE13.025.00P	Impulse Counter Keisu Gx-06R 24V
29	11033901	As.Cpu+Sw Atlante Unico
30	11009751	26 Poles Flat Cable For Push Button
31	U110.010	Screw Aut.Tcb 2,9X6,5 Din 7981 F
32	11030270	Atlante Led Power Supply
33	12001124	Relay Finder 056.26
34	12001216	Spacer Richco Lcbs-3-01
35	12001217	Spacer Richco Ps-3-01
36	U116.003	Screw Aut.Pt Tcb 3,0X12 Wn 1441
37	11032436	Display Support
38	11032399	"3,5"" Tft Display 320X240"
39	11009750	24 Poles Flat Cable For Display
40	U116.006	Screw Aut.Pt Tcb 3,5X12 Wn 1441 Znp
41	11024064	Interface Board For Display Atlante500
42	11032328	Display Push Button (-) Blk
43	11032327	Display Push Button (+) Blk
44	11032131	Membrane Keyboard Atl700 One Led Strip
45	11031254	Reader Magnetic Support
46	129670302	Tcb Panelvit Screw 2,9X9,5 Tes.D=7,5 Znp
47	11031994	Sg650 Led Board (One Led Stripe)

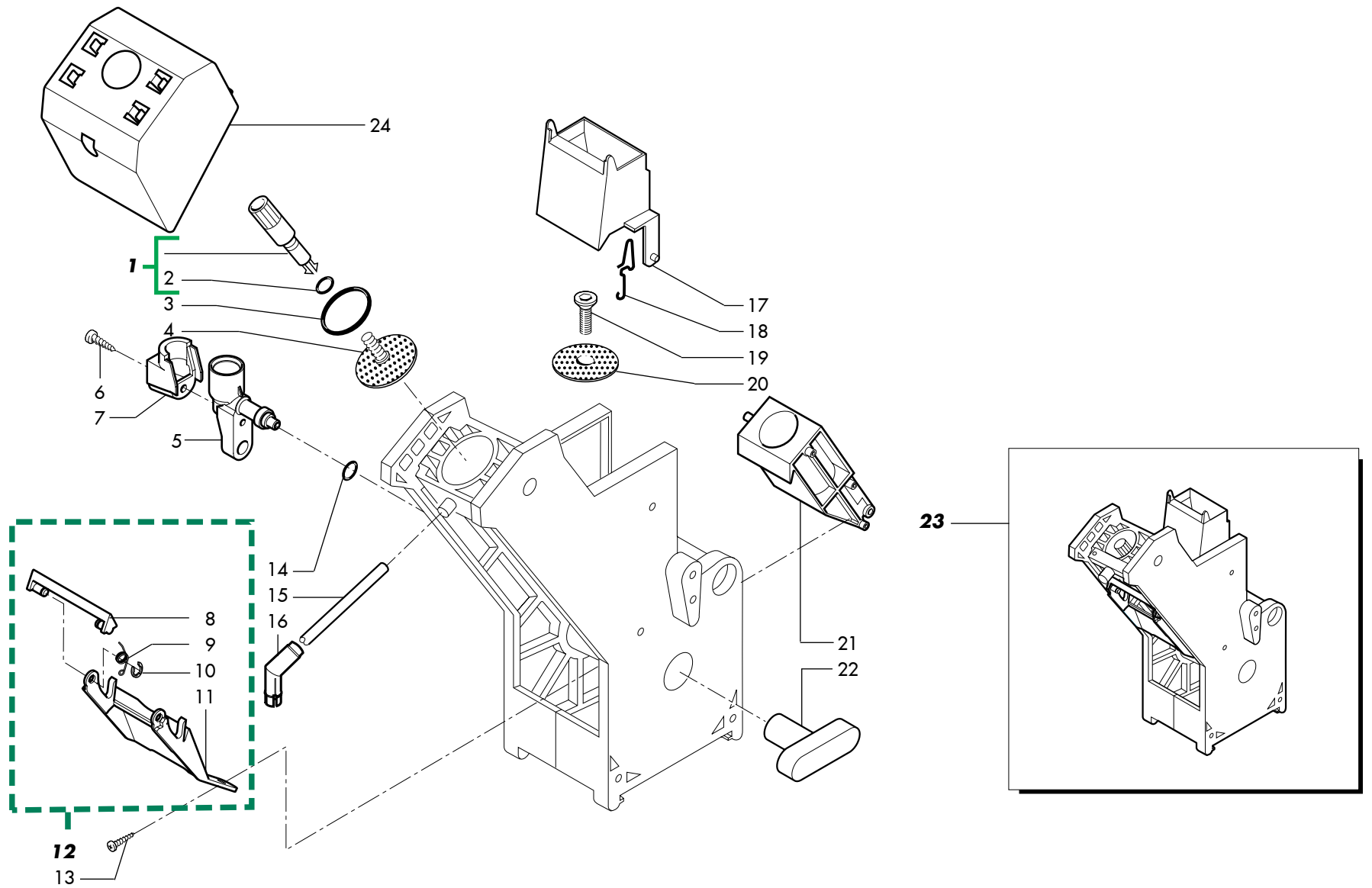
Pos. Code	Description	Note
48	11032140	Push Button
49	11009896	Card Protection Sg650
50	11009897	Card Protection Boiler Sg650
51	NF11.043	Clip With Hook
52	12000962	Multigrip Rivets 4.8X11
53	11023454	Cpu Card Support Atlante500
54	11012747	Card Protection Led Atlante
55	11032246	Power Cable Usa 3 Pole 15A
56	11008831	Whole Transformer
57	11031694	Card Atlante Capsule Expansion
58	11032543	Qm Series Photoelectric Sensor
59	U110.011	Screw Aut.Tcb 2,9X9,5 Din 7981 F
60	11032383	Hw Interf. New Tft Display Umsh-8252Md-T
61	12002053	Spacer For Card Led Mspe-2-01
62	U109.011	Screw Aut.Tcb 3,9X9,5 Din 7981 C
63	11032794	Support Plate Led
64	NE13.099	Clamp
65	2067.601	Adattatore Infrarossi
66	NE18.022	Spacer Richco Ss08-07.5 Mm
67	11031252	Irda Card Support
68	U043.006	Screw Tcbc M4,0X14 Uni 7687 Galv.
69	U324.003	Nut M5 Flanged Indented Base
70	NV01.007	Adhesive Foot
71	NF11.047	Nut M4 H.4,5 In Plastic
72	11031300	Flat Cable
73	9991.206	Magnet D.13 H.4,5 M5 Male
74	11013811	Adhesive Support
75	11032179	Atlante Led Connector Board
76	U110.004	Screw Aut.Tcb 3,5X6,5 Din 7981 F
77	U110.007	Screw Aut.Tcb 2,9X16 Din 7981 F Znp
78	1484.605	Power Relay 12A
79	11013813	Adesivo Riflettente X Sensore
80	0875.222	Disp.Compartm.Micro Support

7 Grammi Gran Gusto



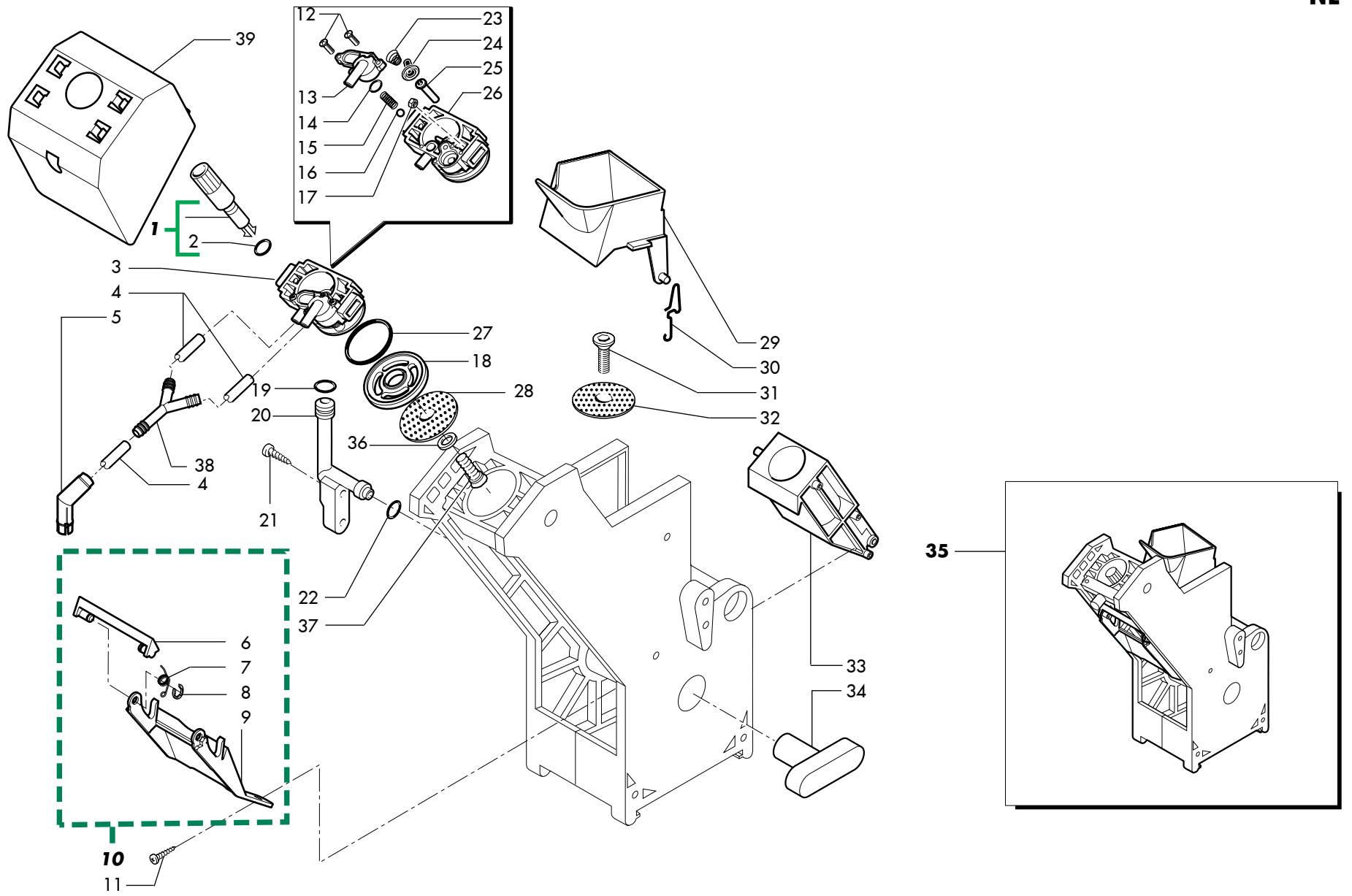
Pos. Code	Description	Note	
1	11030408	Coffee Group 6/8Gr New	
2	11029737	Protection Valve	
3	11029311	Cover Ball Valve	
4	9972.345	Silicone Tube 3,5X9 L.340Mm	
5	11033574	Coffee Nozzles	
6	11030836	Pin Fixing Valve Support	
7	11029312	Breather Valve Closed	
8	NV01.009	Rubber Buffer	
9	9161.320	Valve For Unit	
10	U109.006	Screw Aut.Tcb 2,2X9,5 Din 7981 C	
11	126771918	Ss Coffee Unit Conterpiston Spring Smart	
12	12001811	Sphere Teflon D.4,5	
13	11029317	Nut Seal Piston Movable	
14	11029316	Flange For Cupholder	
15	11029308	Spring For Movable Counterpiston	
16	129512921	Screw Tcb Torx 10 Ab 2,9X13 Sheet Ss	
17	11010013	Carter For Muff Preheating Unit	
18	11005371	Unit Coffee Muff	
19	9111.537.060	Brown Scraper Coffee Group	
20	9111.520	Spring For Scraper Section 0.6	
21	U701.006	Snap Ring 3,2 Uni 7434	
22	9111.539.060	Fork For Scraper	
23	9110.067.060	Scraper Ass.For Cappuccinat. Tube	
24	U110.013	Screw Aut.Tcb 3,9X6,5 Din 7981 F	
25	11029313	Cursor Compensator Valve Vent	
26	U701.007	Snap Ring 6 Uni 7434	
27	11029310	Spring For Relief Valve	
28	11029314	Cursor For Valve Vent	
29	11029309	Spring For Relief Valve	
30	140322061	O-Ring 4112 Epdm	
31	11012630	Percolator D.34	
32	U044.009	Ss Screw Tspc M3,0X8 Uni 7688	
33	140321462	O-Ring 2018 Silicone	
34	322001201	Mobile Scraper Brown Narrow	
35	9161.425	Spring For Scraper	
36	129851921	Tsp Screw M3X6 Uni 7688 Ss	
37	324000200	Ss Percolator D=34 For Unit	
38	222711101	Brown Ground Coff.Container D=36 Assy.	
39	9161.021.060	Key For Brew Unit Brown	
40	11012957	Scraper For Coffee Unit 7-9Gr.	6 grams
41	11030122	Space	6 grams
42	11029878	Ass.Contropistone Mobile	
43	NM01.029	Or Orm 0100-15 Silicone	
44	140322500	O-Ring 2118 Nitril Rubber	
45	11029879	Ass.Pistone X Gruppo Caffè'	
46	11030309	Ring For Cam	

Pos. Code	Description	Note
-----------	-------------	------



Pos. Code	Description	Note
1	9169.A14.150 Pin For Percolator Grey	
2	NM02.006 Or R5 Termoil	
3	NM01.044 Or Orm 0320-40 Silicone Ptfе/Fda	
4	9161.036 Upper Percolator For Unit	
5	11005371 Unit Coffee Muff	
6	129512921 Screw Tcb Torx 10 Ab 2,9X13 Sheet Ss	
7	11010013 Carter For Muff Preheating Unit	
8	9111.537.150 Grey Scraper Coffee Group	
9	9111.520 Spring For Scraper Section 0.6	
10	U701.006 Snap Ring 3,2 Uni 7434	
11	9111.539.150 Fork For Scraper	
12	9110.067.150 Scraper Ass.For Cappuccinat. Tube	
13	U110.013 Screw Aut.Tcb 3,9X6,5 Din 7981 F	
14	140321462 O-Ring 2018 Silicone	
15	9972.057 Silicone Tube 5X8 L.2000Mm	
16	9111.349 Elbow Dispensing Nozzle	
17	322001259 Mobile Scraper Grey Narrow	
18	9161.425 Spring For Scraper	
19	129851921 Tsp Screw M3X6 Uni 7688 Ss	
20	9161.037 Lower Percolator For Unit	
21	11002626 Ass. Coffee Container Grey 9 Gr.	
22	9161.021.060 Key For Brew Unit Brown	
23	11005422 Brew Unit 9 Grams Cristallo600	
24	11013053 Carter For Doser Unit	

Pos. Code	Description	Note

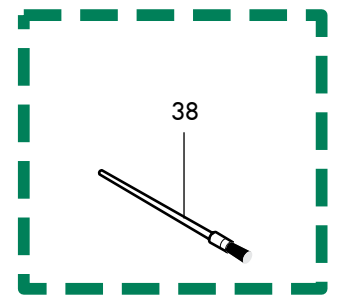
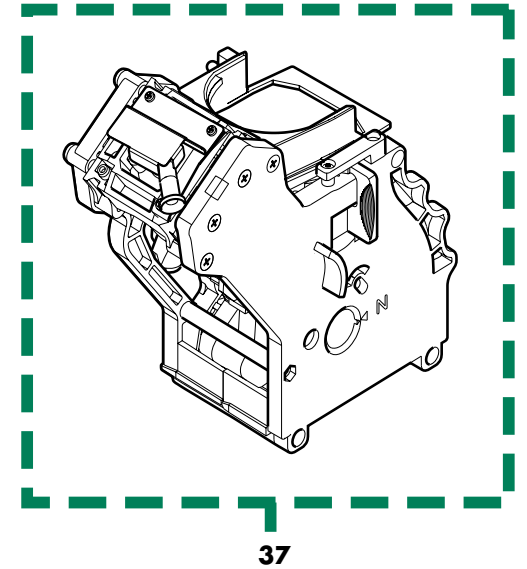
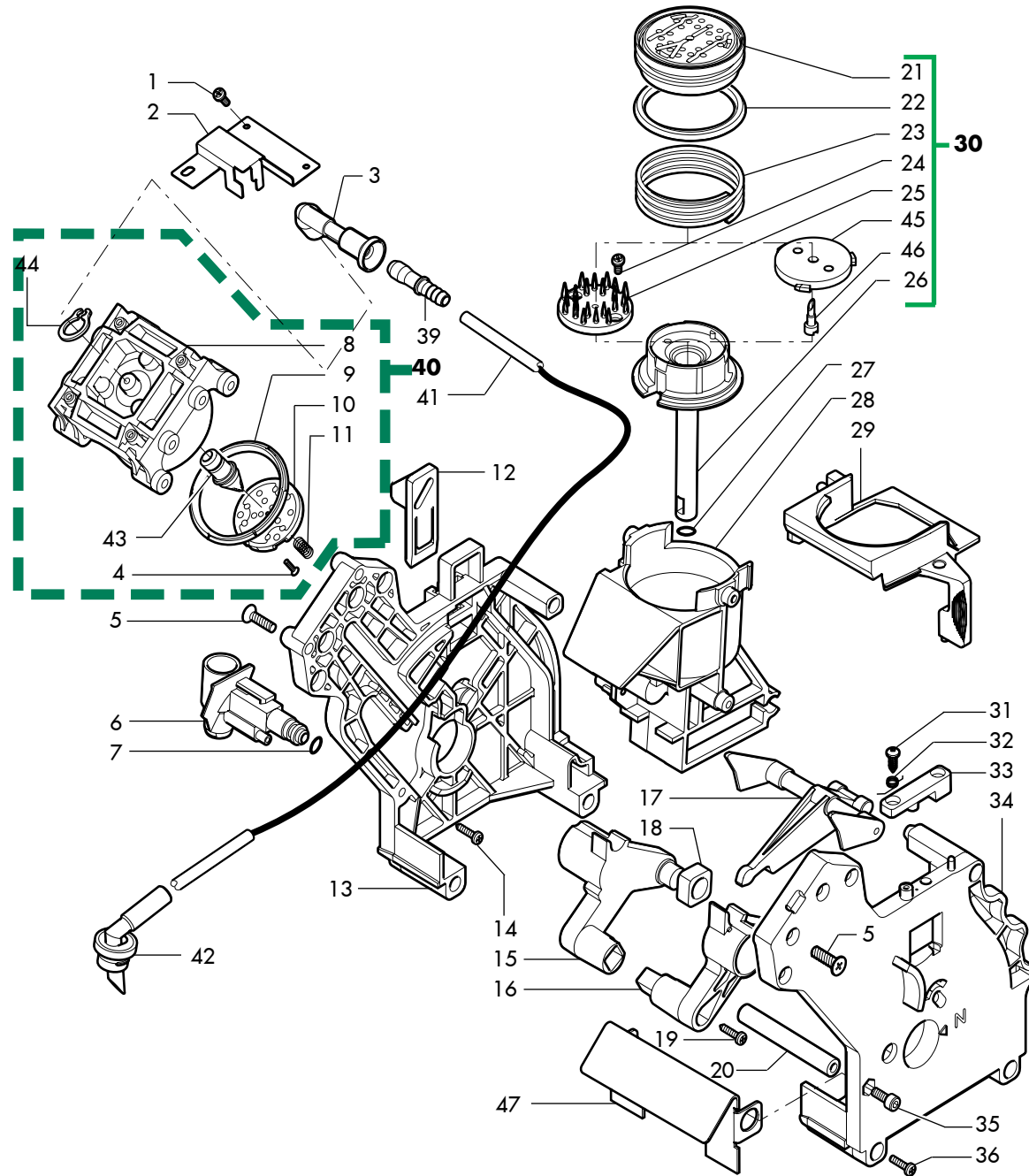


Pos. Code	Description	Note
1	9169.A14.150	Pin For Percolator Grey
2	NM02.006	Or R5 Termoil
3	11031196	Ass.Counterpiston Autobar
4	9972.057	Silicone Tube 5X8 L.2000Mm
5	9111.349	Elbow Dispensing Nozzle
6	9111.537.150	Grey Scraper Coffee Group
7	9111.520	Spring For Scraper Section 0.6
8	U701.006	Snap Ring 3,2 Uni 7434
9	9111.539.150	Fork For Scraper
10	9110.067.150	Scraper Ass.For Cappuccinat. Tube
11	U110.013	Screw Aut.Tcb 3,9X6,5 Din 7981 F
12	U109.030	Screw Aut.Tcb 2,9X16 Din 7981 C
13	11003470	Lid X Counterpiston Fresh-Brew
14	NM02.013	Or Orm 0080-15 Termoil
15	11007470	Spring For Fs400 Cover Chassis
16	12001650	Sphere Teflon D.5
17	U302.003	Galv.Nut Hexagonal M4 Uni 5589 Zn
18	11031839	Spacer For Doser Unit Fresh Brew
19	140320461	Or Orm 0080-20 Termoil
20	322000559	Water Flow Piston Grey
21	129512921	Screw Tcb Torx 10 Ab 2,9X13 Sheet Ss
22	140321462	O-Ring 2018 Silicone
23	11002603	Sping For Membrane
24	11002625	Membrane
25	11003471	Pin For Membrane Fresh-Brew
26	11003469	Counterpiston Fresh-Brew
27	NM01.044	Or Orm 0320-40 Silicone Ptf/Fda
28	11031174	Upper Percolator For Unit D.36
29	11003529	Hopper Doser Unit Fresh Brew
30	126836618	Spring H=28 New For Scraper
31	129851921	Tsp Screw M3X6 Uni 7688 Ss
32	9161.037	Lower Percolator For Unit
33	11002626	Ass. Coffee Container Grey 9 Gr.
34	9161.021.060	Key For Brew Unit Brown
35	11031899	Brew Unit 6,5Grams Fresh Brew Autobar
36	U207.003	Plain Washer 3,2X7 Uni 6592 Galv.
37	129852821	Tsp Screw M3X14 Uni 7688 Ss
38	147920800	Y Connector D=8 Art.80.26.048 Ka.466
39	11013053	Carter For Doser Unit

Pos. Code	Description	Note
-----------	-------------	------

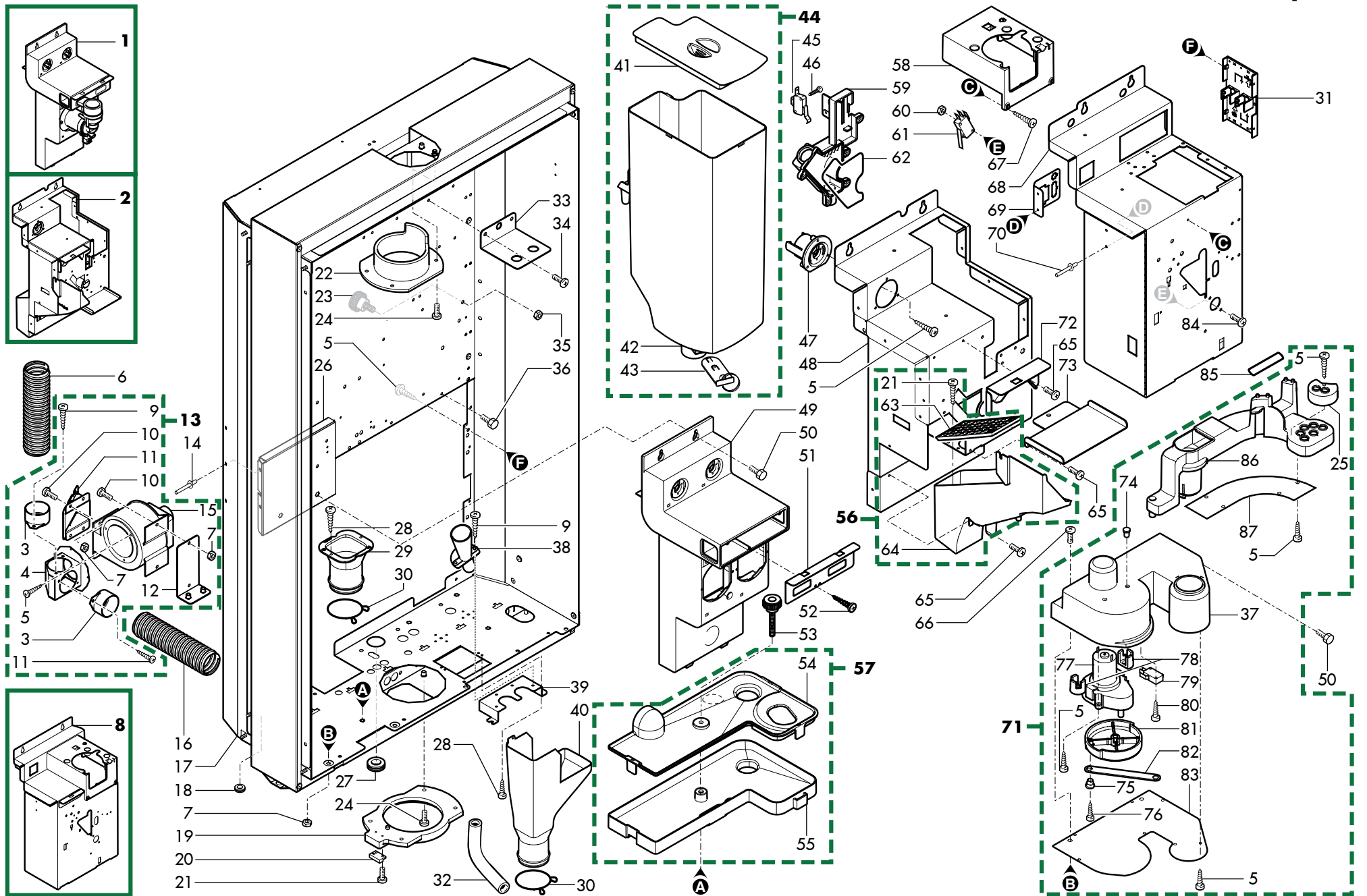
VENDING MACHINE ATLANTE 500 EVO

Capsbean



Pos. Code	Description	Note
1	129512921 Screw Tcb Torx 10 Ab 2,9X13 Sheet Ss	
2	11031906 Plate	
3	11004586 Blk Coffee Outlet Conveyor Ocs	CA
3	9161.356 Blk Coffee Outlet Conveyor Lav.	LB
4	129912621 Screw Pt Kb 30X8 Wn 1413 Inox A2	LB
5	129911721 Screw Tsp Torx 4X16 Plast Steel	
6	9161.064.150 Grey Water Inlet Sleeve Brew Unit Royal	
7	NM02.007 Or 2025 In Termoil	
8	11013418 Blk Coff.Capsule Fixed Container V3 Lav.	LB
8	421941306941 Grey Coffee Caps.Fixed Container Atl700	CA
9	11031760 Seal For Brew Unit Caps	LB
9	421941306911 Seal For Brew Unit Caps Ca	CA
10	11031226 Piercer Group Caps	LB
11	126773518 Ss Spring For Coffee Capsule Lav.	LB
11	421941306921 Spring For Steel Pierce Bu Capsule Ca	CA
12	9161.373.150 Grey Brew Unit Coupling Plate Smart	
13	11013396 Black Brew Unit Rear Plate V3 Lav.	
14	12000550 Screw Tcb Torx 10 3X25 Plast.Ss	
15	120080722 Alum.Female Elbow Shaft	
16	120080622 Alum.Male Elbow Shaft	
17	11032146 Grey Brew Unit Connecting Rod Caps	
18	9161.094.050 Black Brew Unit Drilled Block	
19	129574421 Screw Tcb Ph/Tt 4X20 Uni 8112 St.St	
20	9161.298 Brass Spacer	
21	11011770 Casing To Movable Drilling Plate V3 Lav.	LB
21	142906059 Casing To Movable Drilling Plate	CA
22	11026624 Lip Seal For Caps.Expeller Piston V4 Lav	LB
22	145855700 Lip Seal For Expeller Piston Ocs	CA
23	126772418 Coff.Capsule Expeller Piston Spring Lav.	LB
23	126774118 Spiral Spring For Piston Expeller	CA
24	129910921 Screw Tcb Torx 10 3X10 Ss	LB
25	149198000 Coffee Caps.Lower Drilling Support Lav.	LB
26	229211859 Coffee Capsule Expeller Piston Lav.	LB
26	229211959 Coffee Capsule Expeller Piston Ocs	CA
27	NM02.018 Or Orm 0090-25 Termoil	
28	421941306881 Mobile Cont. Bu Caps V3 Atl 700 Assy	LB
28	421941306901 Mobile Container Bu Ocs Caps Atl700 Assy	CA
29	11031018 Hopper Coffee Group	
30	11026626 Piston Expeller Coffee Capsule V4 Assy.	LB
30	227661000 Piston As.Expeller Coff.Capsule Ocs Assy	CA
31	12000895 Screw Tsp Torx 10 3X10 Plast.Ss	
32	9161.378 Ss Hopper Spring For Brew Unit Smart	
33	9161.374.150 Gry Brewunit Hopper Blocking Plate Smart	
34	11014199 Blk Brew Unit Front Plate V3 S/Scr.Lav.	
35	U023.011 Screw Tcei M4,0X10 Uni 5931 Ss A	
36	12000897 Screw Tcb Torx 10 3,5X20 Plast.Ss	
37	11031702 Coffee Group V4 Atlante Caps Blk	LB
37	11032374 Black Brew Unit V2 Atlante Caps Ca	CA
38	127390100 Brush For Cleaning	

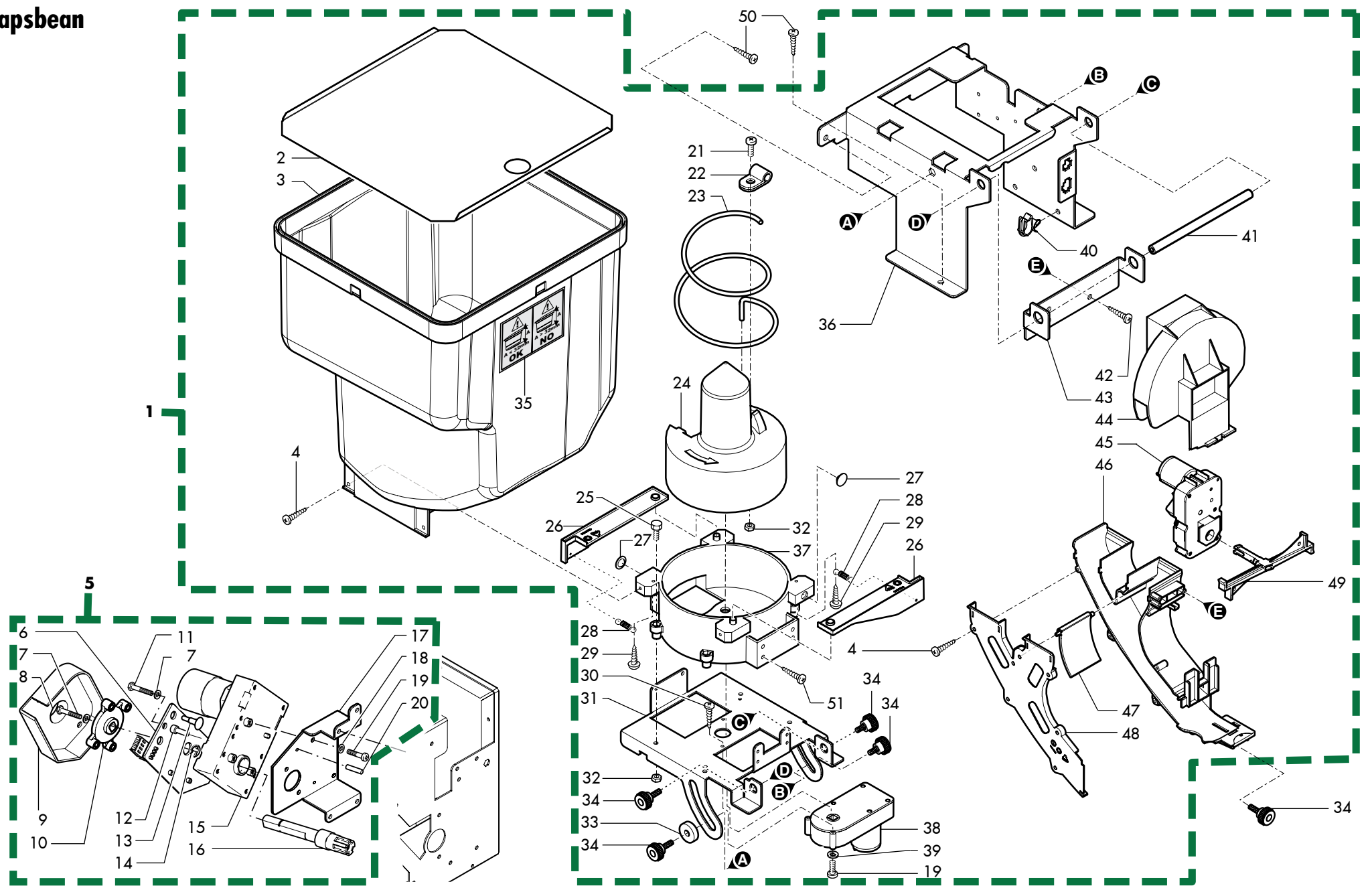
Pos. Code	Description	Note
39	1040.028.050 Std Toothed Connect. F3/8X09	
40	11031829 Coff.Capsule Fixed Cont.V3 Atl700 Assy.	LB
40	11034993 Capsule Fixed Cont. Ca Assy.	CA
41	9972.206 Silicone Tube 3,5X6 L.2000 Mm	
42	11033574 Coffee Nozzles	
43	421941306931 Stainless Steel Piercer Outlet Coffee Ca	CA
44	120340421 Elast.Shaft Retain.Ring D=5 Uni7435	CA
45	149203000 Lower Coff.Capsule Drilling Support Ocs	CA
46	122908721 Stainless Steel Piercer Inlet Water Ocs	CA
47	11032349 Anti-Overturning Plate	



Pos. Code	Description	Note
1	11032773	Module 2 Motor Capsbean
2	11033218	Motor Module Caps
3	0701.029.060	Aperture For Aspiration
4	11033027	Connector Aspiration Tube
5	U116.006	Screw Aut.Pt Tcb 3,5X12 Wn 1441 Znp
6	11033274	Spiral Tube D.32 L=320 Mm
7	U324.003	Nut M5 Flanged Indented Base
8	11031058	Ass. Module Coffee 1 Grind Caps
9	U110.003	Screw Aut.Tcb 3,5X9,5 Din 7981 F
10	U043.015	Screw Tcbc M5,0X12 Uni 7687 Galv.
11	11032732	Channel Fan Aspiration
12	11033021	Support For Fixing Fun
13	11032801	Fan Atl500 Caps
14	12000962	Multigrip Rivets 4.8X11
15	9121.198.00A	Centrifugal Fan Cap 07
16	11000240	Tube
17	11032770	Revolving Plate Skin Atl500
18	NE16.002	Grommet D.11X20,5Xh.7
19	11008265	Lower Flange Of Rotation
20	1863.649	Reed For Door
21	U116.005	Screw Aut.Pt Tcb 3,0X8 Wn 1441
22	11008268	Upper Pin Of Rotation
23	12002030	Knob D.18 M5X10
24	U044.011	Screw Tspc M5,0X16 Uni 7688 Galv.
25	11031748	Cartegho Nozzles Support
26	11032688	Revolving Plate Reinforcement Caps
27	NE16.009	Grommet Nostrum 10476.1.2
28	U110.005	Screw Aut.Tcb 3,9X9,5 Din 7981 F
29	11031007	Conveyor Dump
30	0862.112	Grounds Sack Ring 8P
31	11033067	Panel For Orientation Filters
32	9974.027	Pvc Tube 20X27 L.360 Mm
33	11009909	Support Coffee Container Sg650
34	U127.011	Screw Tapt.Tcb M5,0X8 Din 7500C
35	123160502	Galvanized Nut M5 High Uni 5587-68
36	129720902	Te Screw M5X10 Uni 5739 Znp
37	11033188	Support Arm Atlante500
38	9111.527.050	Tube Conveyor Coffee Discharge
39	11032516	Dumping Support
40	0862.111.050	Grounds Duct
41	11024054	Cover For Coffee Container Atlante500
42	11024053	Container For Coffee Bean Atlante500
43	11010736	Ass.Guillotine Coffee
44	11024061	Coffee Tank Assembly Atlante500
45	NE05.050	Microswitch
46	U116.004	Screw Aut.Pt Tcb 3,0X16 Wn 1441
47	11001574	Flange Fixing Ratiomotor Lip
48	11033217	Coffee Module
49	11008259	Module 2 Motor

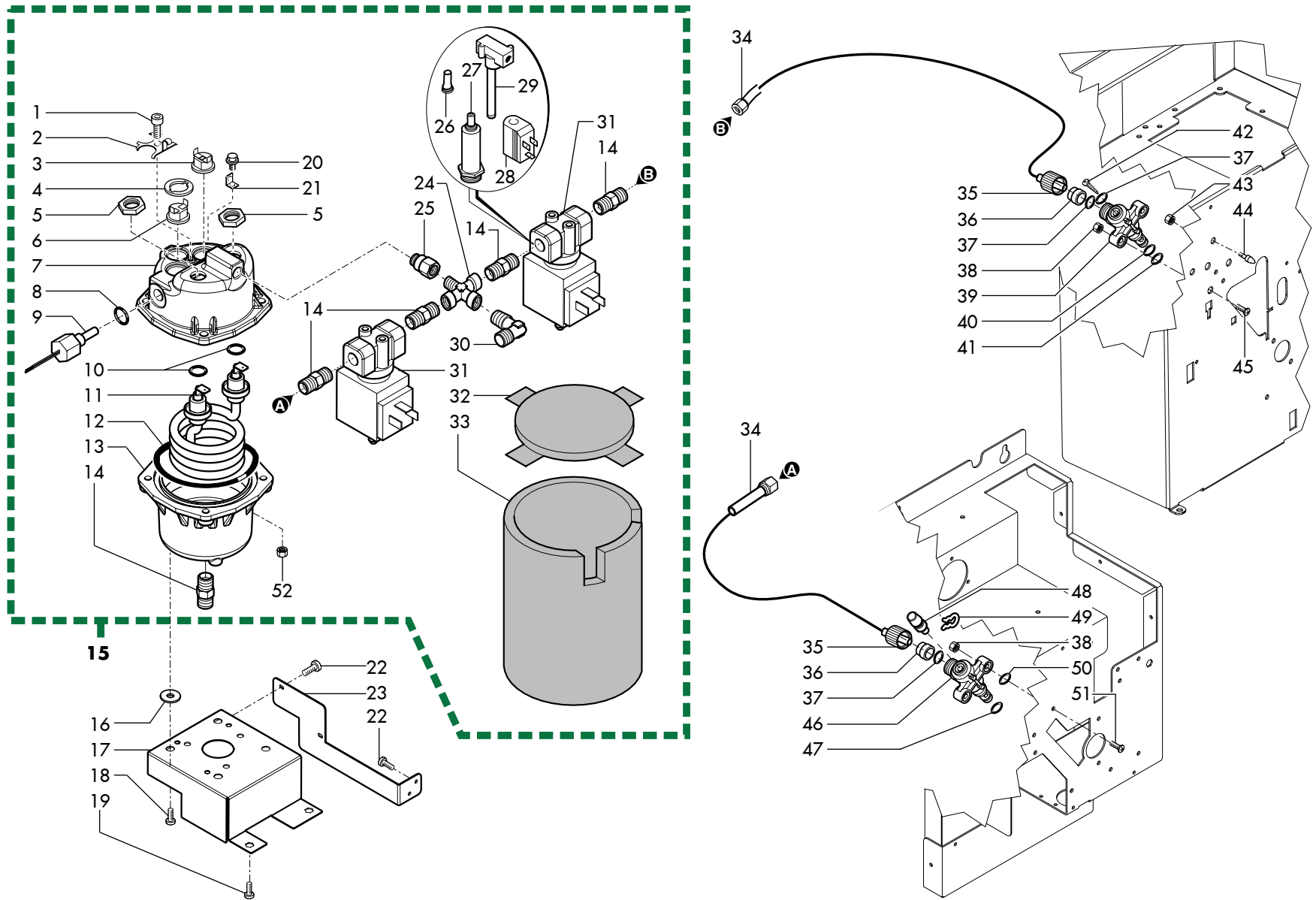
Pos. Code	Description	Note
50	U046.001	Screw Tefz M5,0X16 Uni 6921 Galv.
51	11008246	Aspiration Steel Sheet At 3
52	U116.003	Screw Aut.Pt Tcb 3,0X12 Wn 1441
53	12002032	Knob D.18 M5X40
54	11025811	Boiler Case Atlante500 Brown
55	11025810	Case Of Condense Atl500 Brown
56	11032831	Conveyor Expire Capsuls
57	11024052	Tank Atlante500
58	11008262	Grind Support
59	11031002	Conveyor Dump Discharge
60	U324.005	Nut M3 Flanged Indented Base
61	NE05.018	Microswitch
62	11031225	Special Seal
63	11032241	Grate
64	11032453	Conveyor Expire Capsuls
65	U127.005	Screw Tapt.Tcb M4,0X8 Din 7500C
66	U043.031	Screw Tcbc M5,0X40 Uni 7687 Galv.
67	U110.002	Screw Aut.Tcb 3,5X13 Din 7981 F
68	11031033	Coffee Module 1 Grind
69	11009912	Connector Support Sg650
70	NF11.115	Blind Rivets
71	11033178	Arm Support Atl500 25Rpm
72	11031044	Container Coupler
73	11031042	Sheet Metal Support Group Caps
74	9161.305.150	Grey 8Gr.Brew Unit Integral Piston Plug
75	11032865	Bush
76	U116.002	Screw Aut.Pt Tcb 3,5X16 Wn 1441
77	11033191	Gearmotor Mechtex 25 Rpm
78	11033193	Spacer Motor Arm
79	NE05.002	Microswitch
80	U110.012	Screw Tc Wn1412 /Bn13577 Zinc Bia Ka 3X2
81	11031824	Cam Arm Atlante500
82	11023944	Connecting Rod Arm Atlante500
83	11023943	Support Arm Plate Atlante500
84	129824002	Tcb Screw M4X10 Uni 7687 Znp
85	140321762	O-Ring 3218 Silicone
86	11023693	Nozzle Arm Atlante500
87	11023945	Plate Fro Arm Atlante500

Capsbean



Pos. Code	Description	Note	
1	11032772	Loader Complete Caps Cl	LB
1	11033479	Loader Complete Caps Cc	CA
2	11032685	Cover Container	
3	11032682	Container	
4	U116.006	Screw Aut.Pt Tcb 3,5X12 Wn 1441 Znp	
5	11033231	Ratiomotor Group Caps	
6	11002134	Card 2 Sensor Ratiomotor	
7	U207.002	Plain Washer 4,3X9 Uni 6592 Gal	
8	U005.010	Screw Te M4,0X14 Uni 5739 Galv.	
9	11002211	Card Protection Ratiomotor	
10	11031224	Cam	
11	U005.012	Screw Te M4,0X30 Uni 5739 Galv.	
12	11002964	Space For Central Card 2 Sensory	
13	NL04.014	Spacer Card H=9,5	
14	120340804	El. Shaft Retain.Ring D=8 Uni 7435	
15	12000232	Lip Ratiomotor St.112B 24Vdc 11Rpm	
16	11002133	Joint With Shaft For Ratiomotor	
17	11033219	Support Plate Motor	
18	128310404	Washer Uni 8842 A4 Burnished	
19	129824002	Tcb Screw M4X10 Uni 7687 Znp	
20	U407.001	Elastic Pin 3,0X20 Uni 6874	
21	129825002	Tcb Screw M4X20 Uni 7687 Znp	
22	12001926	Cable Clamp Screw Fastening 6571 Aa00	
23	11031030	Special Spring	
24	11032145	Rotore Caps	LB
24	11032373	Rotore Caps Ca	CA
25	129720102	Te Screw M4X20 Uni 5739 Znp	
26	11031024	Safety Lever Caps	
27	NV01.006	Adhesive Foot	
28	9111.397	Spring For Tray /Lever Coin Recove	
29	U142.008	Panelvit Tsp 3,5X12 Din 7505 A Gal	
30	U140.017	Panelvit Tcb 3,0X20 Din 7505 B Gal	
31	11032699	Support External Rotor	
32	U324.006	Nut M4 Flanged Indented Base	
33	11008644	Lock Pin	
34	12002031	Knob D.18 M5X15	
35	15004268	Adhesive Height Capsule Caffitaly	CA
36	11032710	Support Sheet Metal Caps	
37	11031027	Supporto Esterno Rotore Caps	
38	11031752	Ratiomotor 24V Caps	
39	U207.004	Plain Washer 4,3X16 Uni 6592 Gal	
40	NE17.013	Cable Retainer	
41	11032533	Rotation Pin	
42	U110.002	Screw Aut.Tcb 3,5X13 Din 7981 F	
43	11032534	Support Channel Loader	
44	11031025	Stirrer Drain Cover	
45	11031062	Ratiomotor 24V Caps	
46	11031022	Channel Conveyor Caps	LB
46	11032638	Channel Conveyor Caps Ca	CA

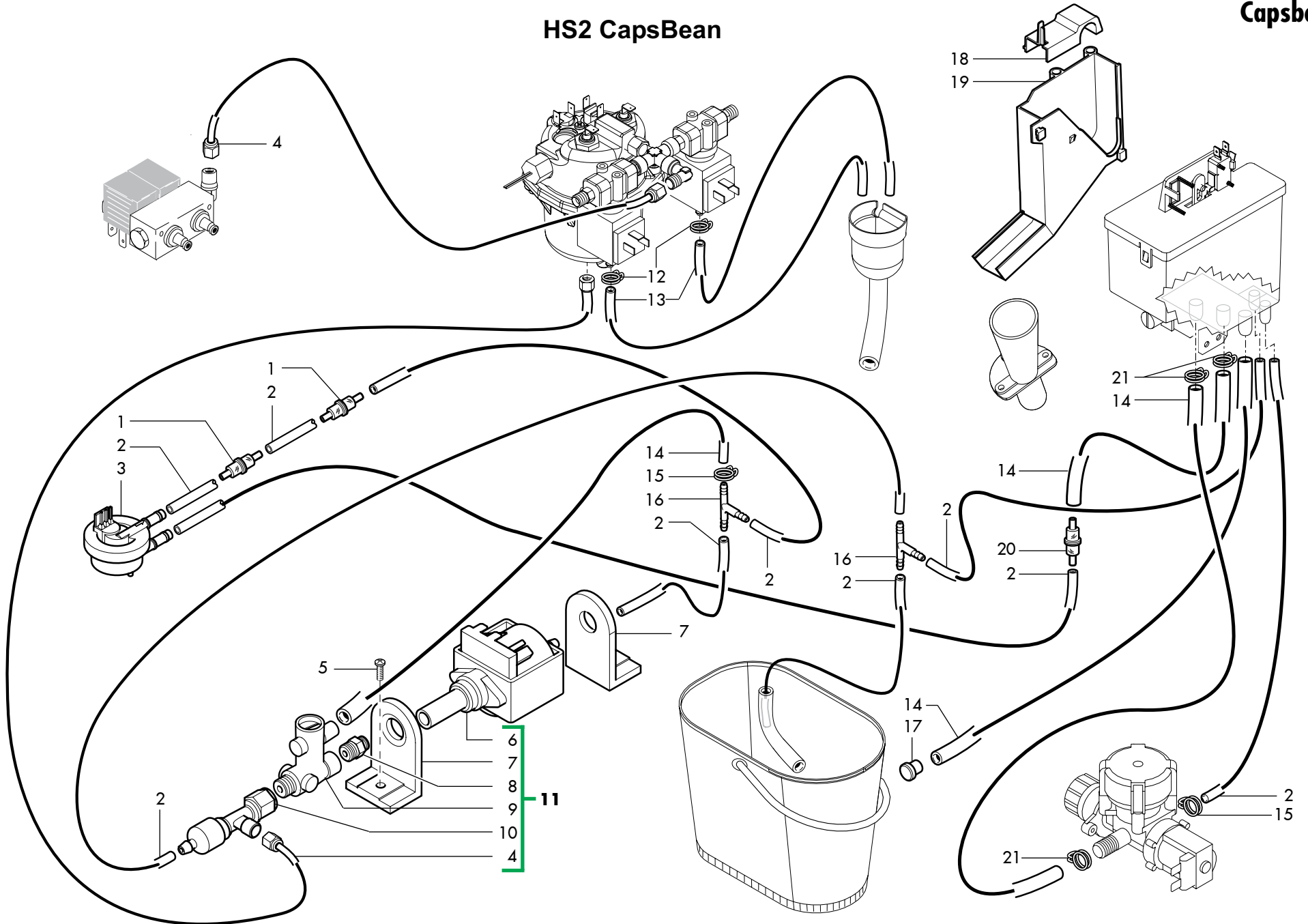
Pos. Code	Description	Note	
47	11031021	Switch Channel Conveyor	
48	11031023	Cover Conveyor Caps	
49	11031026	Stirrer Drain Caps	
50	U043.015	Screw Tcbc M5,0X12 Uni 7687 Galv.	



Pos. Code	Description	Note
1	12001052	Screw Tcei M4,0X6 Din 912 Zin
2	226830200	Retain.Spring 3 Therm. +Thermal Fuse
3	189428700	Thermostat 175° 1Nt-15L-5126
4	9991.085	Thermostat Fixing Washer
5	9991.029	Nut For Resistor
6	NE09.021	Thermostat 150°Nc Faston 90°
7	11033131	Upper Casing Boiler 300Cc Tea
8	11033220	Or Orm 2043 Fkm 80 Fd Green Peroxida
9	11033134	Immersion Probe
10	11000972	Or 3050 Fkm 80 Fd Peroxidica
11	11007591	Res Cald. V230 W1400 Inc.800
12	NM04.010	Or Orm 0730-40 Fpm 70+-5 Irhd Black
13	11033133	Lower Casing Boiler 300Cc Tea
14	9991.059	Straight Bicone Connector M 1/8X06
15	11032659	Boiler 300Cc Evo 2Ev+Solubles 230 1,4Kw
16	9111.501	Insulation Washer
17	11033025	Boiler Support Atlante
18	U046.005	Screw Te M5,0X10 With Washer
19	U043.015	Screw Tcbc M5,0X12 Uni 7687 Galv.
20	U023.020	Screw Tcei M6X20 Uni 5931 Zin
21	NE15.031	Male Tongue Plain 6,3 D.6,3
22	U110.004	Screw Aut.Tcb 3,5X6,5 Din 7981 F
23	11032745	Lower Support Boiler 300Cc
24	12002040	Connector 1/8 Gas Ff / M Tea
25	11031852	Connector 1/8 Gas M/F Tea Caps
26	20007362	Spare Core Ev Ode
27	20007363	Spare Evt Ode
28	20007361	Solenoid Evt Ode
29	20007364	Spare Evt 11032408
30	12001181	Biconical Connect. L M 1/8X06 Tea
31	11032408	Electrovalve Ode 3 Ways 24V Dc
32	11030777	Coffee Boiler 600Cc Upper Isolator
33	11030779	Coffee Boiler 600Cc Upper Isolator
34	11025406	Tube Assembly Teflon 3X6 L.250Mm
35	11005743	Knurled Female Hand Bolt M14
36	11005741	Connector D.6
37	140321462	O-Ring 2018 Silicone
38	U302.003	Galv.Nut Hexagonal M4 Uni 5589 Zn
39	11005370	Pin For Muff
40	11013173	Or Orm 0090-20 Fkm 80 Fd Green Peroxida
41	11013174	Or Orm 0050-20 Fkm 80 Fd Green Peroxida
42	U109.037	Screw Aut.Tcb 4,8X13 Din 7981 C
43	U324.003	Nut M5 Flanged Indented Base
44	11006046	Peg For Boiler
45	U044.013	Screw Tspc M4,0X12 Uni 7688 Galv.
46	11032673	Pin For Muff
47	NM01.035	Or Orm 0090-20 Silicone
48	11033089	Cap Sleeve Caps
49	9011.114	Steam Tube

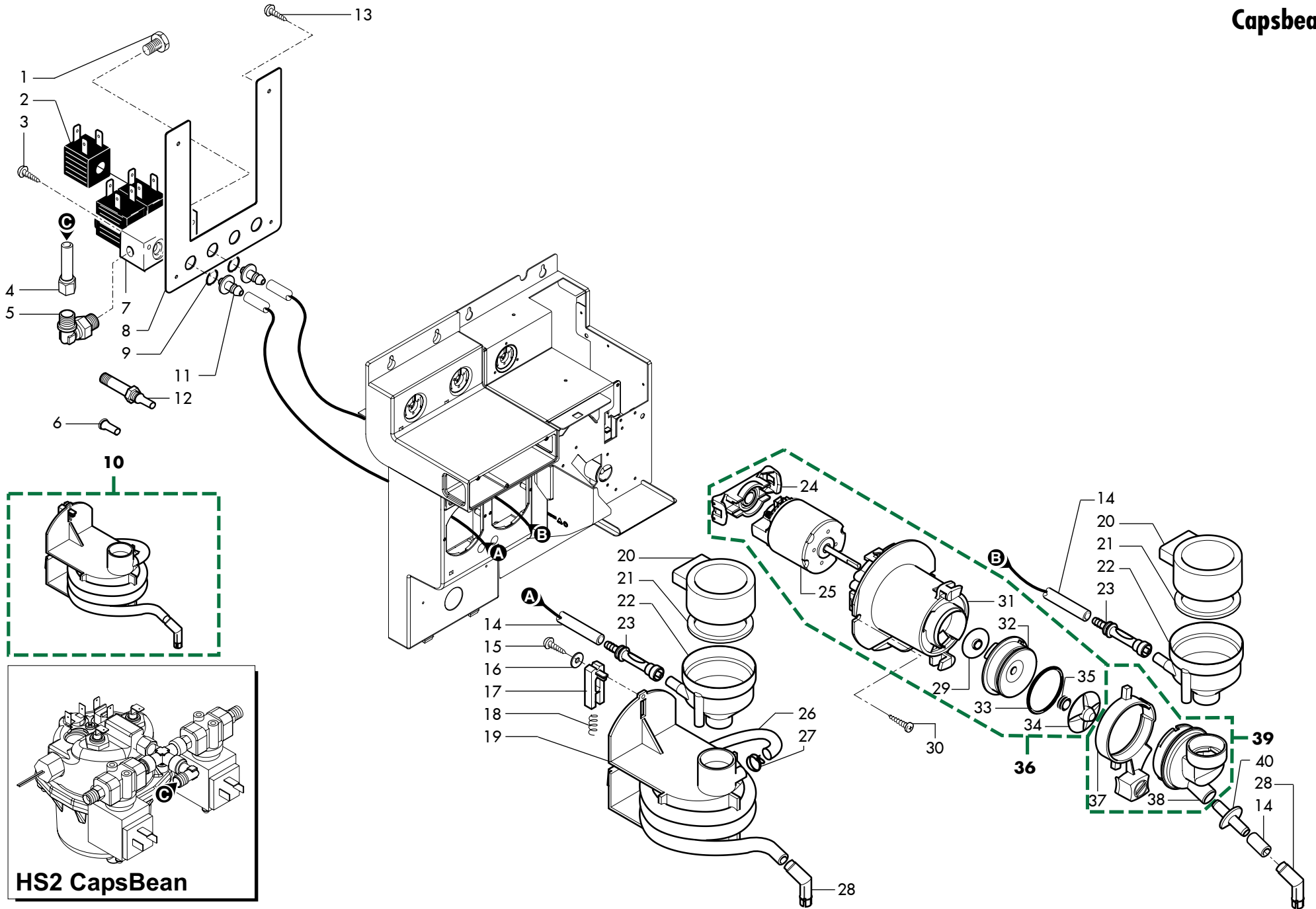
Pos. Code	Description	Note
50	NM01.057	Or Orm 0050-20 In Silicone
51	U044.016	Screw Tsp M4,0X16 Uni 7688 Galv.
52	U302.004	Nut Hexagonal M6 Uni 5588

HS2 CapsBean



Pos. Code	Description	Note
1	11032038 Filter Intake In Lung Water Supply	
2	9972.246 Silicone Tube 5X10 L.2000Mm	
3	NV99.099 Turbine D=1,2 932-9521/B Assy.	
4	11025295 "Teflon Tube 3X6 L.170 1/8"-1/8"	
5	U043.015 Screw Tcbc M5,0X12 Uni 7687 Galv.	
6	9070.042.00A Ulka Pump Ex5 Sd1	
7	149185850 Eaton Pump Support 4002012 Magic	
8	11032615 Fitting Adapter Valve	
9	20007360 Bypass Valve Fluid-O-Tech B7E	
10	11005590 Safety Valve/Non Return Ass. New	
11	11033446 Ulka Ex5 Sd1 Atlante	
12	NV99.036 Hoseclamp D=8,5 09993.41.00	
13	9972.057 Silicone Tube 5X8 L.2000Mm	
14	9972.055 Silicone Tube 7X11 L.2000Mm	
15	NV99.087 Band D=11/11,6	
16	NV99.004 Connector T Moroni 8026047 D=8	
17	NV03.006 Cap Kapsto Lpn 615/010	
18	9161.262.060 Drip Channel Cover	
19	9111.528.050 Coffee Discharge Channel	
20	144650300 Aspiration Filter Gauze Net 500 (New)	
21	NV99.050 Hoseclamp D. 13.3/14.1	

Pos. Code	Description	Note
-----------	-------------	------



HS2 CapsBean

Pos. Code	Description	Note
1	12001169	Brass Cap 1/8 Gas Conical Tea
2	20005373	Solenoid X Hs1 11023762
3	U109.021	Screw Aut.Tcb 3,5X22 Din 7981 C
4	11025295	"Teflon Tube 3X6 L.170 1/8"-1/8"
5	12001181	Biconical Connect. L M 1/8X06 Tea
6	20007305	Spare Ev Mobile Core 11023762
7	11026112	2 E/V 3 Ways 5P07 Block Tea
8	11033898	Electrovalve Support
9	NM01.004	Or 2025 Silicone
10	1863.A10	Ass.Mixer Fs400
11	11011453	Rubber Holder Connector Tea
12	20005374	Ass.Nucleus 6000Bh/Bodn X 11009225
13	U110.003	Screw Aut.Tcb 3,5X9,5 Din 7981 F
14	9972.057	Silicone Tube 5X8 L.2000Mm
15	U116.005	Screw Aut.Pt Tcb 3,0X8 Wn 1441
16	U207.004	Plain Washer 4,3X16 Uni 6592 Gal
17	9111.209.060	Cursor For Spiral Mixer Fixing
18	9111.211	Spring For Mixer Cursor
19	9111.643.060	Rapid Fixing Mixer
20	9111.010.060	Lid For Funnel Brown
21	9111.011.060	Seal For Funnel Brown
22	9111.009.060	Funnel For Powders Brown
23	1863.A07	Espresso Nozzle
24	9111.771.270	Motor Coupling Orange Ral
25	9121.248.00P	Mixer Motor '05 24V Dc
26	9972.055	Silicone Tube 7X11 L.2000Mm
27	NV99.072	Hose Clamp D. 11.6/12.3
28	9111.349	Elbow Dispensing Nozzle
29	9111.773.060	Motor Protection Ring
30	U116.006	Screw Aut.Pt Tcb 3,5X12 Wn 1441 Znp
31	9111.769.150	Mixer Flange
32	9111.770.060	Cover Mixer Flange
33	NM03.012	Or Orm 0320-25 Nbr
34	9111.772.060	Disk Fan
35	NM05.015	V-Ring Mixer '05
36	9110.160.06P	Ass.Mixer '05 24V Dc
37	9111.230.270	Mixer Locking Ring Nut Orange Ral
38	9111.227.060	Mixer Casing
39	9110.027.060	Mix Casing Ass.
40	9111.232.060	Std Tube Holder Sleeve
40	9111.233.060	Decaff.Tube Holder Sleeve

only decaffeinato

Pos. Code	Description	Note
-----------	-------------	------