

COMBI SNACK

230V - 50Hz
120V - 60Hz
220V - 60Hz



IT	Italiano
EN	English
FR	Français
DE	Deutsch
ES	Español

(IT)

(EN)

(FR)

(DE)

(ES)

SOMMARIO

INDEX

INDEX

VERZEICHNIS

INDICE

Tav. 01	Mobile parte posteriore	Rear part unit	Meuble partie	Unterschrank hinterer Teil	Mueble parte trasera
Tav. 02	Non presente	Not present	Non présent	Nicht vorhanden	No presente
Tav. 03	Mobile parte anterior	Front part unit	Meuble partie avant	Unterschrank vorderer Teil	Mueble parte delantera
Tav. 04	Porta Inferiore	Lower Door	Porte inférieure	Untere Tür	Puerta Inferior
Tav. 05	Cassetto erogazione prodotto e gettoniera	Product dispensing tray and token box	Tiroir distribution produit et distributeur de jetons	Produktabgabeschublade und Münzprüfer	Cajón dispensación de producto y selector de monedas
Tav. 06	Porta superiore	Upper Door	Porte supérieure	Obere Tür	Puerta superior
Tav. 07	Non presente	Not present	Non présent	Nicht vorhanden	No presente
Tav. 08	Circuito idraulico	Hydraulic circuit	Circuit hydraulique	Hydraulikkreislauf	Circuito hidráulico
Tav. 09	Circuito idraulico	Hydraulic circuit	Circuit hydraulique	Hydraulikkreislauf	Circuito hidráulico
Tav. 10	Circuito idraulico	Hydraulic circuit	Circuit hydraulique	Hydraulikkreislauf	Circuito hidráulico
Tav. 11	Contentori	Containers	Réceptifs	Behälter	Contenedores
Tav. 12	Gruppo erogazione	Dispensing group	Groupe de distribution	Brühgruppe	Grupo dispensación
Tav. 13	Gruppo caldaia e motori	Heater group and motors	Groupe chaudière et moteurs	Kesselgruppe und Motoren	Grupo caldera y motores
Tav. 14	Non presente	Not present	Non présent	Nicht vorhanden	No presente
Tav. 15	Gruppo caldaia HS1 e motori	Heater group HS1	Groupe chaudière HS1	Kesselgruppe HS1	Grupo caldera HS1 y motores
Tav. 16	Non presente	Not present	Non présent	Nicht vorhanden	No presente
Tav. 17	Distributore bicchieri	Cup dispenser	Distributeur gobelets	Becherspender	Distribuidor vasos
Tav. 18	Distributore zucchero/palette	Dispenser of sugar/scoops	Distributeur sucre/palettes	Zucker-/Rührstäbchenspender	Distribuidor azúcar/paletas
Tav. 19	Componenti elettrici	Electrical parts	Composants électriques	Elektrische Komponenten	Componentes eléctricos
Tav. 20	Gruppo caffè 7 grammi	7-gram coffee group	Groupe café 7 grammes	Kaffeegruppe 7 Gramm	Grupo café 7 gramos
Tav. 21	Gruppo caffè 9 grammi	9-gram coffee group	Groupe café 9 grammes	Kaffeegruppe 9 Gramm	Grupo café 9 gramos

(IT)

SOMMARIO

Tav. 22 Cassetto prodotti
Tav. 23 Gruppo frigo
Tav. 24 Gruppo lavaggio

(EN)

INDEX

Product tray
Fridge group
Washing group

(FR)

INDEX

Tiroir produits
Groupe frigo
Groupe lavage

(DE)

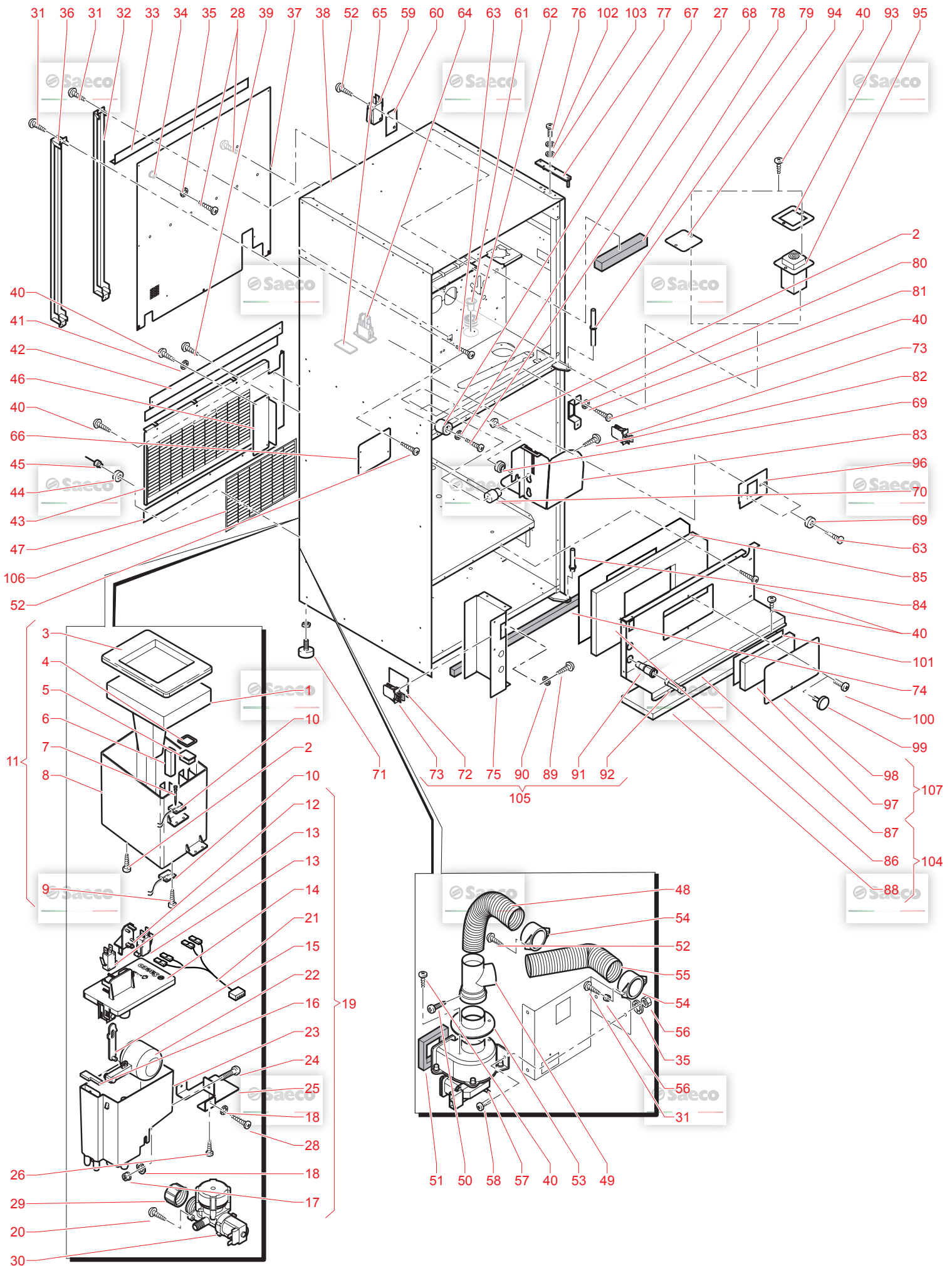
VERZEICHNIS

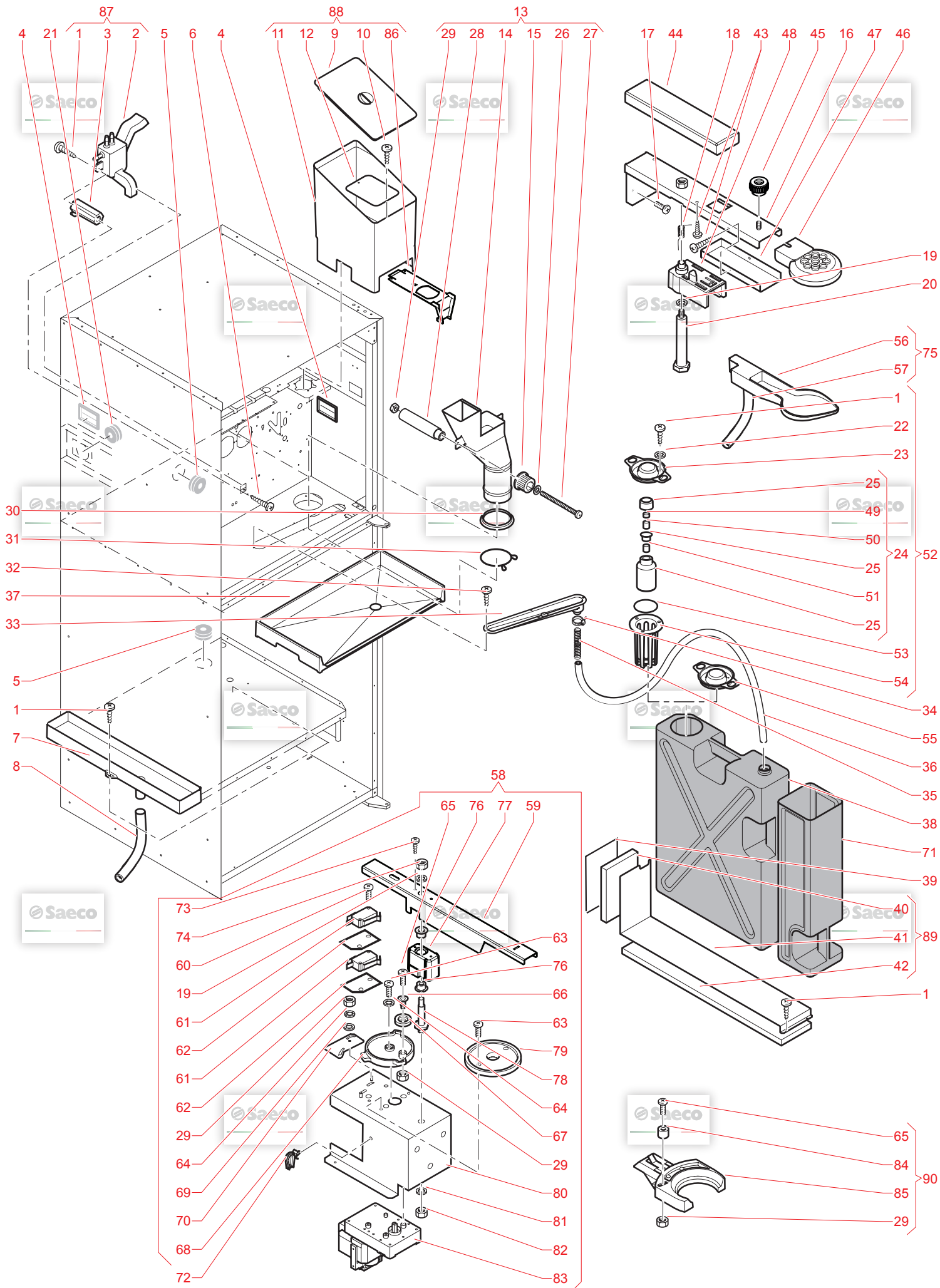
Produkt-Schublade
Kühlschrankgruppe
Waschgruppe

(ES)

INDICE

Cajón productos
Grupo frigo
Grupo lavado

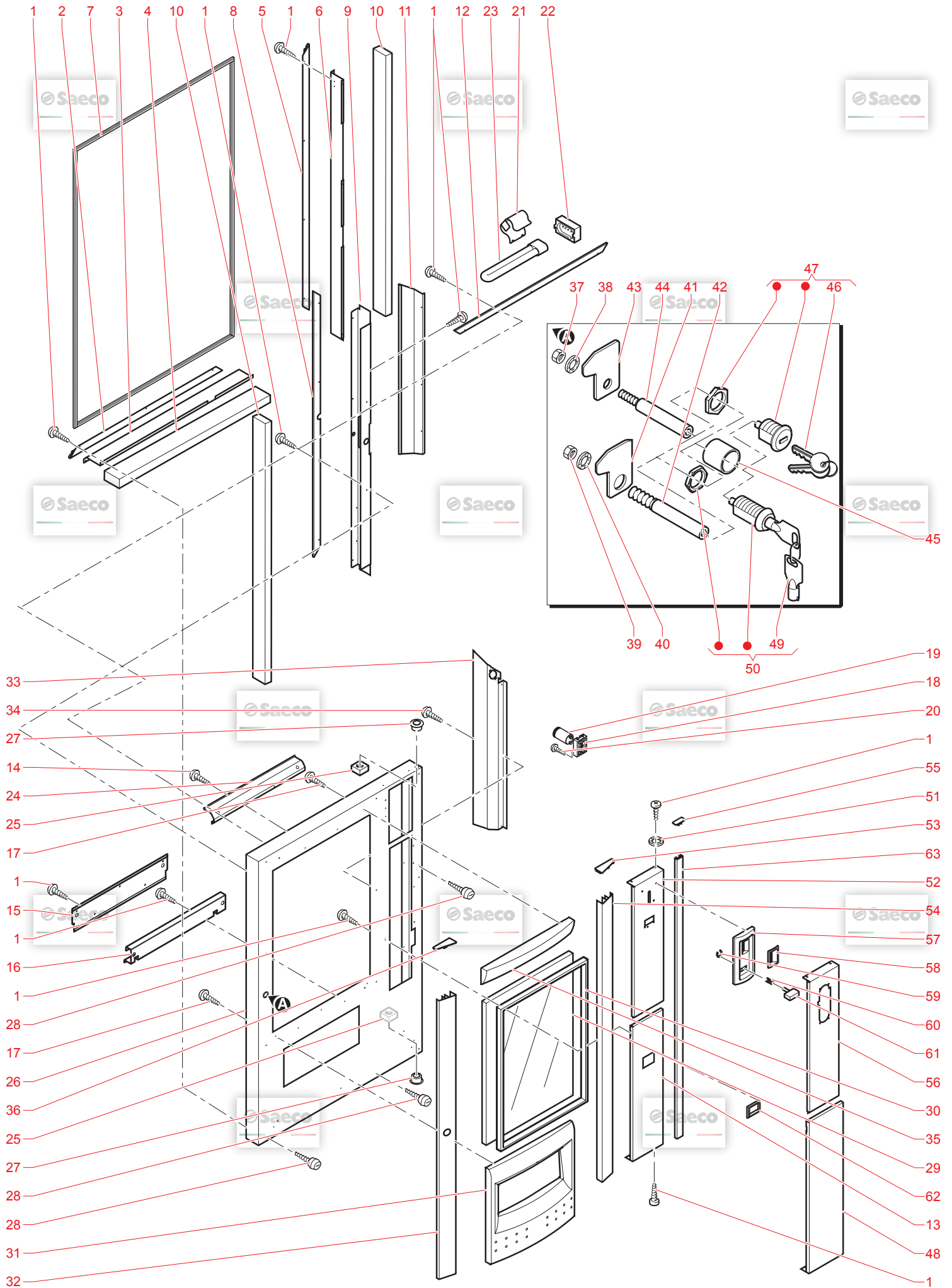




N.POSI	COD	I - DESCRIZIONE	UK - DESCRIPTION	F - DESCRIPTION	D - BEZEICHNUNG	E - DESCRIPCION	NOTE
1	U109.003	VITE AUT.TCB 3.5X9.5 DIN 7981 C	SCREW TCB 3.5X9.5 DIN 7981 C NIC	VIS TCB3.5X9.5DIN7981CNIC	Linsen-Blechs. 3.5x9.5 DIN 7981	VITE AUT.TCB 3.5X9.5 DIN 7981 C	fino mat. 4493
2	0875.348.050	SIFONE X SCARICO TUBI NUOVO	SIPHON FOR DRAIN TUBES NEW	CANAL EAUX USEES COMBI SNACK	Siphon	SIFONE X SCARICO TUBI NUOVO	da matr. 4494
3	0875.423.050	SIFONE SCARICO FORATO	SIPHON DRAIN PERFORATED	CANAL EAUX USEES COMBI SNACK	Knauf zu Siphon	POMELLO X SIFONE	da matr. 4335
4	0875.247	POMELLO X SIFONE	KNOB FOR SYPHON	POMMEAU DE SIPHON	Dichtung zu Kabelführung Gehäuse		
5	NE16.009	PASSACAVO NOSTRUM 10476.1.2	TRIMMING RUNCABLE FRAME	PASSE CABLE 10476.1.2	Kabelführung 10476.1.2		
6	U109.013	VITE TCB 3.5X13 UNI 6954 NIK	GROMMET NOSTRUM 10476.1.2	VIS AUT.TCB 3.5X13 DIN 7981 C	Linsen-Blechschr. 3.5x13 DIN 798		
7	0875.195.050	VASCA RACCOGLIGOCCE EVAPORATORE	EVAPORATOR DRIP TRAY	VASQUE EVAPORATEUR	EVAPORATOR DRIP TRAY		
8	9974.020	TUBO PVC 16X20 L.200 MM	PVC TUBE 16X20 L.200 MM		PVC TUBE 16X20 L.200 MM		
9	9111.267.060	COPERCHIO CONTENITORE CAFFE'	COFFEE CONTAINER LID	COUVERCLE BACA CAFE	Deckel Bohnenbehälter P8 / Combi		
10	129512503	VITE TCB 2.9X9.5 DIN 7981 NIK	SCREW TCB 2.9X9.5 DIN 7981 NICK	VIS TCB 2.9X9.5 DIN 7981	Linsen-Blechs. 2.9x9.5 DIN 7981		
11	9111.265.100	CONTENITORE X CAFFE' GRANI 2,8KG	COFFEE BEAN CONTAINER 2.8 KG	BAC A CAFE 2.8 KG COMBI	Bohnenbehälter CombiSnack 2,8kg		
12	9111.268	PIASTRA IN ACCIAIO X CONTENITORE	STEEL PLATE FOR CONTAINER	PLAQUE POUR BAC A GRAIN	Fingerschutz Bohnenbehälterlauf		
13	9110.091	ASS.SCIVOLO FONDI	CHUTE ASS.	ENS CANAL MARC	Trichter Kaffeessatz kpl.		
14	0875.155.050	SCIVOLO FONDI	GROUND'S SLIDE	CANAL MARC	Trichter Kaffeessatz		
15	9111.319.270	POMELLO X BRACCIO	KNOB FOR ARM	BOUON DE SERRAGE	Drehknopf Becherausgabearm		
16	1843.017	ASS.STAFFA SUPP.EROGATORE X ASPI	ASS.BRACKET SUPPOR DISPENSER	ENS SUPPORT D'EROGATION	GServiceAnkearm CS		
17	U043.001	VITE TCB M3.0X8 UNI 7687 ZNP	screw TCB M3.0X8 UNI 7687 GALV	VIS TCBM3X8UNI 7687 ZNP	Linsenschraube M3x8 DIN 7985 ver		
18	0875.228	MOLLA TORSIONE X SUPP. CONV.	PIN FOR DISPENSER CONVEYOR SUPPO	RESSORT	Torsionsfeder zu Befestigungsb.		
19	0875.166	RONDELLA X PERNO SUPP.CONVOGLIAT	LEFT LOWER STRIP	RONDELLE D'AXE	Unterlagscheibe zu Support		
20	0875.192	PERNO X SUPP. CONVOGLIAT. EROG.	PIN FOR DISPENSER CONVEYOR SUPPO	AXE SUPERIEUR DE SORTIE	Stift Kaffeesausage		
21	NE16.007	PASSACAVO NOSTRUM 10416 OA/16	GROMMET NOSTRUM 10416 OA/16		Scheibe A3.2 DIN 125 verz.		
22	U207.003	ROSETTA PIANA 3.2X7 UNI 6592 ZNP	PLAIN WASHER 3.2X7 UNI 6592 GALV	BOUCHON	Korbchenabdeckung für Schwimmer		
23	0875.306	TAPPO SUPP.CESTELLO X GALLEGGIAN	PLUG BASKET SUPP. FOR BALL FLOAT	FLOTTEUR COMPLET	Schwimmer für Restwasserniveau		
24	9120.035	ASS.GALLEGGIANTE X LIVELLO SCARI	FLOAT ASS. FOR LEVEL LOAD	FLOTTEUR	SCHWIMMER		
25	9111.130	GALLEGGIANTE X LIVELLO SCARICO	FLOAT FOR DISCHARGE LEVEL	RONDELLE 4.3X8 UNI 1749 ZNP	Scheibe 4.3 x 8 verzinkt		
26	U203.001	ROSETTA PIANA 4.3X8 UNI 1749 ZNP	PLAIN WASHER 4.3X8 UNI 1749 GAL	VIS TCB M4.0X60 UNI 7687 ZNP	Linsen-Blechs. 2.9x13 DIN 7981 N		
27	U043.003	VITE TCB M4.0X60 UNI 7687 ZNP	screw TCB M4.0X60 UNI 7687 ZNP	ENTRETOISE CANAL MARC	Knauf zu Trichter Kaffeessatz		
28	0875.246	POMELLO X SCIVOLO	KNOB FOR SLIDE	ECROU HEXAGONAL M4 UNI 5689 Z	Mutter M4 UNI 5689 ZN		
29	U302.003	DADO ESAGONALE M4 UNI 5689 ZN	GALVNUIT HEXAGONAL M4 UNI 5689 Z	ECROU HEXAGONAL M4 UNI 5689 Z	Dichtung zu Trichter Kaffeessatz		
30	0875.157	GUARNIZIONE X SCIVOLO	SEAL FOR SLIDE	GARNITURE SEAU	Dichtung zu Trichter Kaffeessatz		
31	9111.135	ANELLO X SACCO FONDI	RING FOR GROUND'S SACK	RESSORT SAC POUBELLE	Sicherungsring Kaffeefahrlasack		
32	129535721	VITE TSP 3.5X9.5 DIN7982 TORX IN	SCREW TSP TORX 10.AB 3.5X9.5 SHE	VIS TSP 3.5X9.5	Senkkopfschraube 3.5 x 9.5		
33	0875.153.050	CONDOTTO DI SCARICO	DISCHARGE DUCTS	CONDUIT DE VIDANGE COMBISNACK	Leitung zu Produktklausur		
34	NV99.079	FASCETTA STRINGITUBO D=23-35/9	PIPE WRENCH BAIL D=23-35/9	PINCE D=23-35/9	Schlauchklemme D=23-35/9		
35	0875.415	MOLLA X TUBO L.550	SPRING FOR TUBE L.550	RESSORT DE TUBE	Feder für Abflutkanal		
36	0875.413	TUBO DI SCARICO L.710	TUBE UNLOADED L. 710	TUBE D'EVACUATION L.710	Schlauch CS L=710mm		
37	0875.122.050	VASCA RACCOGLIGOCCE	DRIP TRAY	BAC A EAUX USEES	Auffangwanne		
38	11000612	SERBATOIO X ACQUA	WATER TANK	BAC A EAUX	Restwasserbehälter Diamante		
39	0875.451	CARTER X POLIST.POSTX PANN.COIB	CASING	CARTER POUR POLYSTIRENE	ABDECKUNG STYROPOP HINTEN		
40	0875.299	POLISTIROLO POSTX PANN.PULIZIA	BACK POLYSTYRENE FOR CLEANING PA	POLYSTIRENE	Styroporeinsatz hinten		
41	11008678	PANNELLO COIBENTATO BASAMENTO 8/	BUMPER INSULATED PANEL 8/10	POLYSTIRENE	ABDECKUNG UNTER RESTBEHÄLTER		
42	0875.304	POLISTIROLO BASE X PANN.COIB.BAS	PANEL	POLYSTIRENE POUR SUPPORT BACS	Styroporeinsatz zu Isolierung		
43	U109.018	VITE AUT.TCB 3.5X6.5 DIN 7981 C	screw AUT.TCB 3.5X6.5 DIN 7981 C	VIS AUT.TCB 3.5X6.5 DIN 7981 C	Linsen-Blechschr. 3.5x6.5 DIN 79		
44	0875.411	CARTER SUPERASPIRAZIONE EROGATO	UPPER ASPIRATION CASING	CARTER SUPERIEUR	Abdeckung Vorderseite zu Absauge		
45	12002034	VOLANTINO ZIGRNATO D.18 BOCC.OT	KNOB WITH BUSH M5	KNOB WITH BUSH M5	Knob WITH BUSH M5		
46	0870.066.050	FLANGIA SUPP.UGELLI NERO	NOZZLE SUPPORT FLANGE BLACK	SUPPORT SORTIE TUBE DE PRODUIT	Support Produktauslauf P400/500		
47	0875.154	CARTER INFER.ASPIRAZIONE EROGATO	LOWER ASPIRATION CASING	CARTER INFERIEUR	CARTER INFER.ASPIRAZIONE EROGATO		
48	0875.154	SUPPORTO X CONVOGLIATORE EROGATO	SUPPORT FOR DISPENSER CONVEYOR	SUPPORT DE SORTIE	Support zu Produktauslauf		
49	9991.203	MAGNETE NEDIMIO D.14X4	MAGNET NEEDMIO D.14X4	AIMANT D.14X4	Magnet		
50	9991.204	PASTIGLIA ACCIAIO X MAGNETE	SHIM FOR SAFETY VALVE	PASTILLE ACIER	Magnetscheibe		
51	9991.205	CONTRAPPESO X GALLEGGIANTE	COUNTERWEIGHT FOR FLOAT	CONTREPOID FLOTTEUR	Schwimmerteil		
52	9120.034.050	ASS.CESTELLO X LIVELLO SCARICO	BASKET ASS. FOR LEVEL LOAD	ENS NIVEAU BAC EAUX USEES	Körbchen für Restwasserniveau		
53	140328059	CESTELLO X LIVELLO SCARICO	OR 2015 SILICONE PTFE/FDA	JOINT OR 2015 SILICONE ROUGE	O-Ring 2015 SILIKON		
54	9991.307.050	TAPPO X SERBATOIO COMBI	BASKET FOR BALL FLOAT	SUPPORT FLOTTEUR	Körbchen für Schwimmer		
55	9991.199	TAPPO X SERBATOIO COMBI	CAP FOR TANK COMBI	BOUCHON DE BAC EAUX USEES	Deckel zu Wassertank d=80		
56	0875.128	CONVOGLIATORE X EROGATORE	CONVEYOR FOR DISPENSER	CONVOYEUR EAUX USEES	Kaffeesausagefortenteil		
57	9974.120	TUBO PVC 16X20 L.120 MM	PVC TUBE 16X20 L.120 MM	TUBE PVC 16X20 L.120 MM	Schlauch ø16x20, L=120mm PVC		
58	9110.045.00A	ASS.SUPPORTO BRACCIO COMBI	ARM SUPPORT ASS. COMBI	ENS SUPPORT BRAS COMBI 230V 50HZ	Supportklausur kpl. Combi Snack		
59	9110.045.00F	ASS.SUPPORTO BRACCIO COMBI	ARM SUPPORT ASS. COMBI	ENS SUPPORT BRAS COMBI 220V 60HZ	Support kpl. Auslaufdüse		
60	0875.021	BRACCIO MOBILE	MOBILE ARM	SUPPORT BRAS MOBILE	MOBILE ARM		
61	U034.023	VITE M3.0X25 UNI 6107 ZNP	screw TSP M3.0X25 UNI 6107 GALV.	VIS M3X0.25 UNI 6107	Schraube M3x25 DIN 84 verz.		
62	NE05.002	MICROINTERRUTTORE	MICROSWITCH	MICRO MOTEUR REDUC.DA5P	Microschalter 3-polig P7/P8/P10		
63	9991.014	CARTONCINO X MICROINTERRUTTORE	TAB FOR MICRO SWITCHES	PLAQ.SUPP.MICRO INTERRUPT	Isolationsscheibe		
64	129824002	VITE TCB M4X10 UNI 7687 ZNP	TCB SCREW M4X10 UNI 7687 ZNP	VIS TCB M4X10 UNI 7687	Schraube M4x10		
65	128370404	ROSETTA UNI 8842 A4 BRUNITA	WASHER UNI 8842 A4 BURISHED	RONDELLE UNI 8842 A4	Fächerschleibe A4, 3 DIN 6798 verz		
66	U044.023	VITE M4.0X30 UNI 7688 ZNP	screw TSP M4.0X30 UNI 7688 GALV.	VIS M4	Schraube M4x30 DIN 965 verzinkt		
67	U045.028	BOCCOLA X ROTELLA BRACCIO	BUSH FOR ARM WHEEL	AXE DE ROULETTE	Hülse zu Produktauslauf		

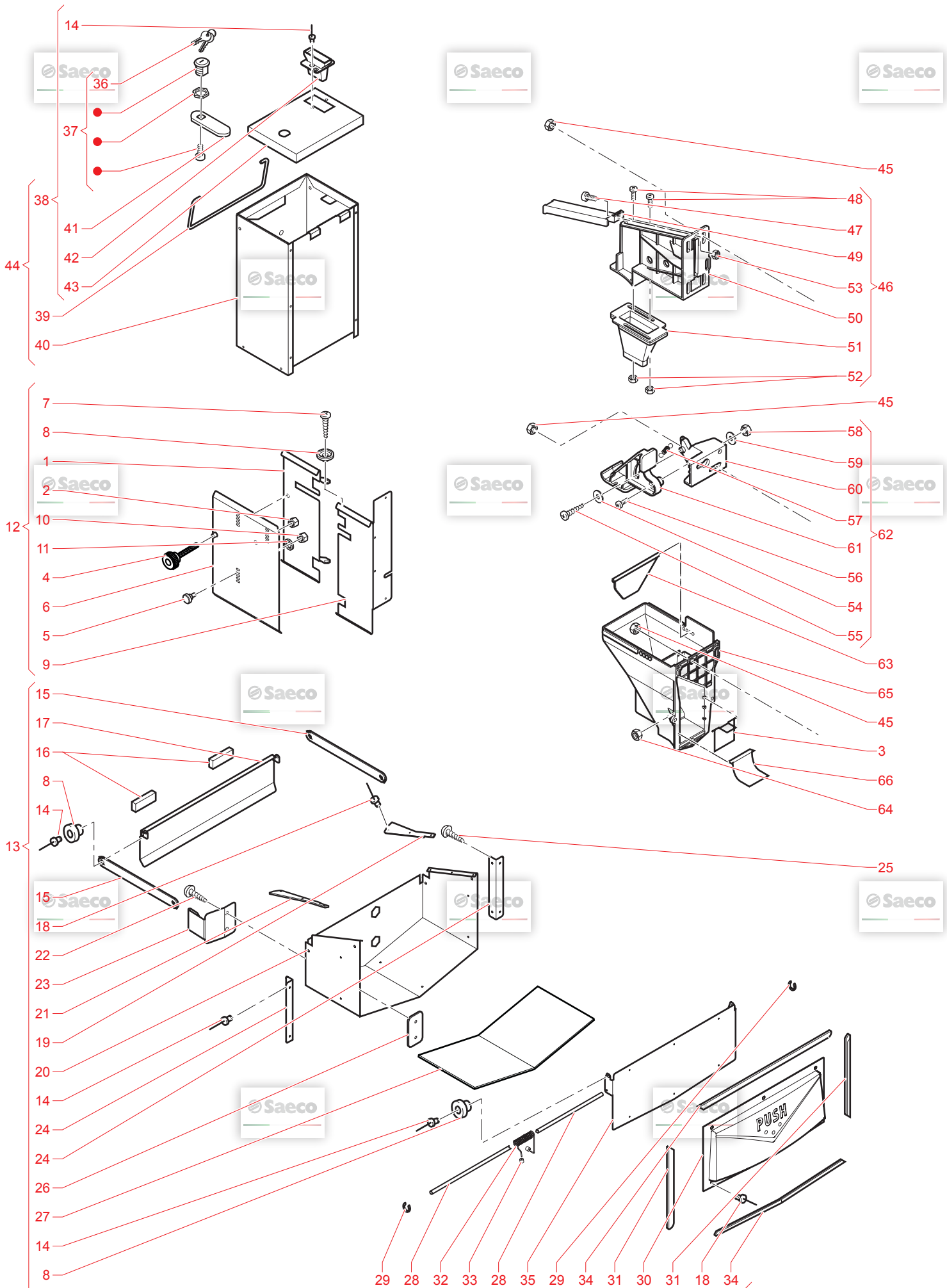
N.POSI	COD	I - DESCRIZIONE	UK - DESCRIPTION	F - DESCRIPTION	D - BEZEICHNUNG	E - DESCRIPCION	NOTE
67	0875.024.050	ROTELLA X BRACCIO	WHEEL FOR ARM	ROULETTE DE BRAS	Rädchen für Brüharm	ROTELLA X BRACCIO	
68	0875.022.050	CAMMA BRACCIO	ARM CAM	CAME COMBISNACK	Nockenscheibe für Brüharm	CAMMA BRACCIO	
69	U207.002	ROSETTA PIANA 4.3X9 UNI 6592 ZNP	PLAIN WASHER 4.3X9 UNI 6592 GAL	RONDELL 4.3*9 UNI 6592 ZNP	Scheibe A4.3 DIN 125 verz.	ROSETTA PIANA 4.3X9 UNI 6592 ZNP	
70	0875.025	PIASTRINO X MICRO	PLATE FOR MICRO	PLAQUETTE MICRO	Plättchen zu Mikroschalter		
71	0875.275.050	CONTENITORE RACCOLTA FONDI	COFFEE GROUNDS CONTAINER	BAC A MARCS	Satzbehälter Combi Snack	CONTENITORE RACCOLTA FONDI	
72	NE17.013	FERMACAVO	CABLE RETAINER	CABLE RETAINER	Kabelhalterung	FERMACAVO	
73	U116.003	VITE AUT.PT TCB 3.0X12 WN 1441 Z	screw AUT.PT TCB 3.0X12 WN 1441	VIS	Spax-Schraube 3x12 DIN 7981 verz	VITE AUT.PT TCB 3.0X12 WN 1441 Z	
74	U310.005	DADO AUTOBLOC.M8 UNI 7473 ZNP	nut SELF LOCK.M8 UNI 7473	ECROU AUTOBLOQUANT.M8 UNI 7473	Mutter UNI 7473 M8 ZNP selbstspe	DADO AUTOBLOC.M8 UNI 7473 ZNP	
75	9110.093	ASS.CONVOGLIATORE	CONVEYOR ASS.				
76	0875.027	BOCCOLA X PERNO BRACCIO	BUSH FOR ARM PIN	BLOCAGE AXE DE BRAS	Hülse zu Bolzen Produktauslauf	BOCCOLA X PERNO BRACCIO	
77	0875.023.050	SOSTEGNO BRACCIO	ARM SUPPORT	SOUTIEN DE BRAS	Stütze zu Produktauslauf	SOSTEGNO BRACCIO	
78	0875.026	PERNO X BRACCIO	PIN FOR ARM	AXE DE BRAS	Bolzen zu Produktauslauf	PERNO X BRACCIO	
79	0875.267	PATTINO X CAMMA BRACCIO	SLID FOR ARM CAM	PATIN POUR CAME DE BRAS	Gleitstück zu Exzentscheibe	PATTINO X CAMMA BRACCIO	
80	0875.020	SUPPORTO BRACCIO MOBILE	MOBILE ARM SUPPORT	SUPPORT BRAS MOBILE	Support zu Produktauslauf bewegl		
81	U207.012	ROSETTA PIANA 10.5X18 UNI 6592 Z	PLAIN WASHER 10.5X18 UNI 6592 GA	RONDELLE 10.5 X 18 UNI 6592 ZNP	Scheibe 10.5x18 DIN 125 verzinkt	ROSETTA PIANA 10.5X18 UNI 6592 Z	
82	U302.006	DADO ESAGONALE M10 UNI 5688 ZNP	nut HEXAGONAL M10 UNI 5688	VIS	Sechskantmutter M10 DIN 985 verz	DADO ESAGONALE M10 UNI 5688 ZNP	
83	9121.157.00A	MOTORIDUTTORE MOVIM.BRACCIO 230V	ARM MOVEMENT RATIO MOTOR 230V 50H	MOTOREDUCTEUR BRAS COMBISNACK 23	GServicelemotor. 230V CombiSna	MOTORIDUTTORE MOVIM.BRACCIO 230V	
83	9121.157.00F	MOTORIDUTTORE MOVIM.BRACCIO 120V	ARM MOVEMENT RATIO MOTOR 220V 60H	MOTOREDUCTEUR BRAS COMBISNACK 22	ARM MOVEMENT RATIO MOTOR 220V 60H		
83	9121.157.00N	MOTORIDUT.MOVIM.BRACCIO 220V 60H	MOTORIDUT.MOVIM.BRACCIO 220V 60H	NON UTILISEE PAR LA FRANCE ET BE			
84	0875.031.050	PERNO X ESPULSORE PALETTE	PIN FOR STIRRER EXPPELLER	AXE EXPULSION PALETTE	Bolzen zu Rührstäbchenauswerfer	MOTORIDUT.MOVIM.BRACCIO 220V 60H	
85	0875.029.050	SUPPORTO X BICCHIERE EURO	CUP SUPPORT EURO	SUPPORT GOBELET	Becherhalterung EURO	PERNO X ESPULSORE PALETTE	
85	0875.224.050	SUPP. BICCHIERE USA	CUP SUPPORT USA	NON UTILISEE PAR LA FRANCE ET BE	CUP SUPPORT USA	SUPP. BICCHIERE EURO	
86	9111.078.060	CHIUSURA CAFFE' MARRON	COFFEE CLOSURE BROWN	FERMET. RESERVOIR A CAFE	Verschlussschieber Bohnenbehälter	CHIUSURA CAFFE' MARRON	
87	0875.A23	ASS.SIFONE DI SCARICO	WHOLE SIPHON DRAIN PERFORATED				
87	0875.A48	ASS.SIFONE SCARICO FORATO	COFFEE CONT. ASS. 8P 2.8 KG	TREMI CAFE 8P 2.8 KG	COFFEE CONT. 8P 2.8 KG	ASS.CONTENTITORE CAFFE' 8P 2.8 KG	
88	9110.036.060	ASS.CONTENTITORE CAFFE' 8P 2.8 KG	COFFEE CONT. ASS. 8P 2.8 KG				
89	11009695	ASS.PANNELLO COIBENTATO BASAMENT	ASS.BASEMENT INSULATED PANEL 8/1				
90	9110.094	ASS.SUPPORTO BICCHIERE	CUP SUPPORT ASS.				
90	9110.107	ASS.SUPPORTO BICCHIERE D.73	CUP SUPPORT ASS. D.73				



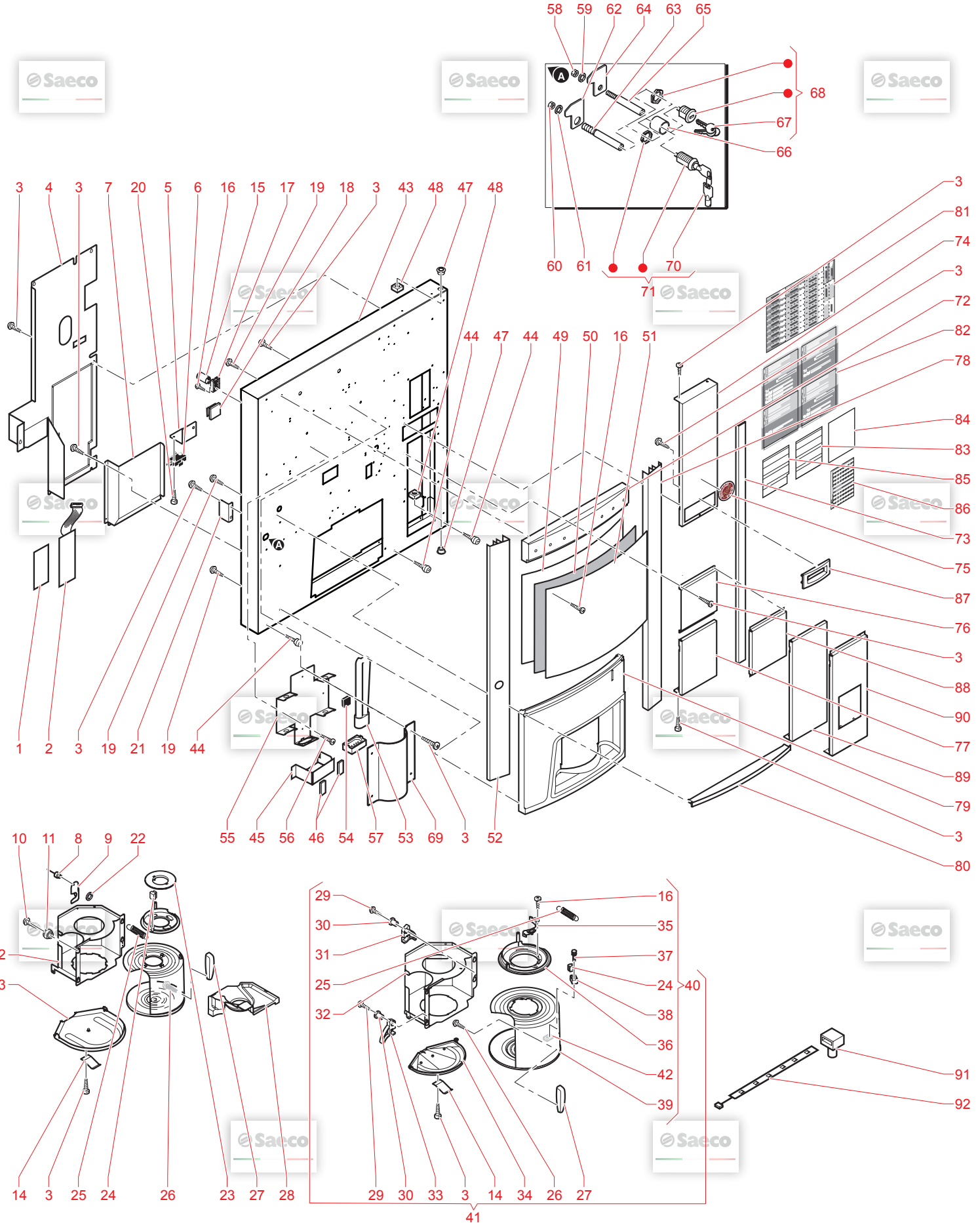


N.POSI	COD	I - DESCRIZIONE	UK - DESCRIPTION	F - DESCRIPTION	D - BEZEICHNUNG	E - DESCRIPCION	NOTE
1	U110.004	VITE AUT.TCB 3.5X6.5 DIN 7981 F	screw AUT.TCB 3.5X6.5 DIN 7981 F	VIS AUT.TCB 3.5X6.5 DIN 7981 F	Schraube 3.5X6.5 DIN7981F	VITE AUT.TCB 3.5X6.5 DIN 7981 F	
2	0875.076	SUPP.GUARNIZ.INF. PORTA FRIGO	FRIDGE DOOR LOWER SEAL SUPPORT	TOPPE DE FERMETURE	Support zu Dichtung unten	SUPP.GUARNIZ. SX PORTA FRIGO	
3	11006708	LAMIERA DI CHIUSURA INFERIORE NE	LOWER FASTENING SHEET BLACK 8/10	TOILE DE FERMETURE INF BLACK	RAHMENHALTERUNG UNTEN SICHTFENST		
4	0875.237	PANNELLO INT.ORZ.SPOR.TFRIGO	HOR. INNER PANEL FRIDGE DOOR	PLAQUE INT HORIZ PORTE REFRIGE	Piatte unten zu Gefrierfachtür		
5	0875.074	SUPP.GUARNIZ. SX PORTA FRIGO	FRIDGE DOOR LEFT SEAL SUPPORT	SUPP.GARNITURE GAUCHE PORTE FRIG	Support zu Dichtung links		
6	11008706	LAMIERA DI CHIUSURA SX NERO 8/10	LEFT FASTENING SHEET BLACK 8/10	TOILE DE FERMETURE GAUCHE BLACK	RAHMENHALTERUNG LINKS SICHTFENST		
7	0875.372	GUARNIZIONE PORTA FRIGO	FRIDGE DOOR SEAL	GARNITURE PORTE FRIGO	Dichtung zu Türe		
8	0875.075	SUPP.GUARNIZ. DX PORTA FRIGO	FRIDGE DOOR RIGHT SEAL SUPPORT	SUPP.GARNITURE DROIT PORTE FRIGO	Support zu Dichtung rechts		
9	11008704	SUPPORTO FERMA VETRO AVVITATO 8/	SCREWED DOWN GLASS HOLDER SUPPORT	SUPPORT ARRETOIR VITRE	RAHMENHALTERUNG RECHTS SICHTFENS		
10	0875.236	PANNELLO INT.VERT.SPOR.TFRIGO	VERT. INNER PANEL FRIDGE DOOR	PANNEAU INT.VET. PORTE FRIGO	Piatte seitlich zu Gefrierfachtür		
11	0875.056	PANNELLO FERMAVETRO SX	GLASS RETAINING PANEL LEFT	PANNEAU FERMETURE VITRE GAUCHE	Piatte links zu Glasbefestigung		
12	0875.054	SUPP.GUARNIZ.SUP. PORTA FRIGO	FRIDGE DOOR UPPER SEAL SUPPORT	GARNITURE SUP PORTE FRIGO	Support zu Dichtung oben		
13	0875.170.840	MATTONELLA RECUPERO MONETE B	COIN RECOVERY TILE BEIGE	PLAQUE RECUP. MONNAIE	Blende Münzrückgabe		
14	11012513	ASS.MATTONELL.RECUPERO MONETE BE	COIN RECOVERY TILE BEIGE	PLAQUE RECUP. MONNAIE BEIGE	COIN RECOVERY TILE BEIGE		
15	11012514	ASS.MATTONELLA RECUPERO MONETE B	COIN RECOVERY TILE GREY	PLAQUE RECUP. MONNAIE GRIS	COIN RECOVERY TILE BLK		
16	11032716	ASS.MATTONELLA RECUPERO MONETE G	COIN RECOVERY TILE BLK	PLAQUE RECUP. MONNAIE NOIR	Schraube 3,5x19 DIN 7981 C		
17	U109.026	VITE AUT.TCB 3.5X19 DIN 7981 C I	SS SCREW AUT.TCB 3.5X19 DIN 7981	VIS AUT.TCB 3.5X19 DIN 7981 C IN	Blech unten zu Glasbefestigung		
18	0875.257	LAMIERA X FERMAVETRO INFERIORE	SHEET METAL FOR COIN BOX	PLAQUE METAL FERMETURE INFERIEUR	Blech unten zu Glasbefestigung		
19	0875.320	LAMIERA X FERMAVETRO INFERIORE	SHEET METAL FOR COIN BOX	PLAQUE METAL FERMETURE INF.			
20	0875.319	FERMAVETRO INFERIORE	LOWER CABLE CLAMP	VIS	Linsen-Blechschr. 3.9x16 DIN 798		
21	U109.036	VITE AUT.TCB 3.9X16 DIN 7981 C N	screw AUT.TCB 3.9X16 DIN 7981 C	VIS	Linsen-Blechschr. 3.9x16 DIN 798		
22	NE13.021	PORTASTARTER	STARTER HOLDER	SUPPORT STARTER	Aufnahme Starter		
23	NE13.077	STARTER 4-22W - ST151	STARTER 4-22W - ST151	STARTER 4-22W CS Instant N	Starter 4-22W - ST151		
24	U116.005	VITE AUT.PT.TCB 3.0X8 WN 1441 ZN	screw AUT.PT.TCB 3.0X8 WN 1441	VIS DE FIXATION	Schraube 30 x 8		
25	9111.639	MOLLA X NEON BIAX	SPRING FOR NEON BIAX	ATTACHE NEON	Halterung Neonröhre		
26	NE13.063	PORTALAMPADA AGS 443/A X2G11	LAMP HOLDER AGS 443/A X2G11	PORTA LAMPE	Socket Neonleuchte		
27	NE13.062	NEON GE BIAX 18W BX18840	NEON GE BIAX 18W BX18840	TUBE NEON 18W COMBI	Neonleuchte 18W BX18840		
28	0875.177	PIASTRA FERMAVETRO RIFLETTENTE	REFLECTING GLASS RETAINER STRIP	PLAQUE REFLETTANTE VITRE	Piatte reflektierend		
29	0875.325	CONTRODADO X BOCCOLA	LOCK NUT FOR BUSH	CONTRE ECROU	Konternmutter zur Hülse		
30	0875.198.840	SPORTTELLO	DOOR	ENS.PORTE INFERIEUR BLEU	Fronttüre unten Combi Snack		
31	11002478	ASS.PORTA INFERIORE BEIGE MET.	DOOR	ENS.PORTE INFERIEUR BEIGE MET	Fronttüre unten Combi Snack		
32	11006853	ASS.PORTA INFERIORE GRY E3303	LOWER ASS. DOOR GREY E3303	ENS.PORTE INFERIEUR GREY E3303	GERÄTETÜR KPLT. BEIGE MET.		
33	11022600	ASS.PORTA INFERIORE BLK	DOOR	ENS.PORTE INFERIEUR NOIR	GERÄTETÜR KPLT. GRAU		
34	0875.324	BOCCOLA X SPORTTELLO	BUSH FOR DOOR	BAGUE DE PORTE	GERÄTETÜR KPLT. BLK.		
35	U143.021	VITE SPECIALE 4.8X9.5 AUTOFIL.	screw SPECIAL 4.8X9.5 SELF TAP.	VIS SPECIALE 4.8X9.5 SELF TAP.	Spezialschraube 4.8x9.5 selbstsc		
36	0875.433	VETRO PORTA COMBI STRATIFICATO	DOOR GLASS COMBI	VITRE DE PORTE COMBI	Scheibe zu Gerätetür		
37	0875.085	GUARNIZIONE X VETRO SEZ SNACK	SEAL FOR GLASS SNACK	JOINT DE VITRE COMBI	Dichtung zu Scheibe Front. untie		
38	0875.163.860	PANNELLO INFERIORE VETRO GRY E33	LOWER PANEL GLASS GRY E3303	PANNEAU INF.VERRE GRY E3303	Blende zu Produktausgabe		
39	11002548	PANNELLO INFERIORE VETRO ROSSO	LOWER PANEL GLASS RED	PANNEAU INF.VERRE ROUGE	Blende zu Produktausgabe		
40	0875.217.860	PROFILO INFERIORE SERRATURA SX G	LOCK SIDE LOWER STRIP	BAGUETTE INFERIEURE DE FERMETURE	Abdeckung für Snacktüre rot		
41	11002539	PROFILO INFERIORE SERRATURA ROSS	LOCK SIDE LOWER STRIP RED	BARRE INFERIEURE SERRURE ROUG	Profil unten links CS		
42	11006817	ROFILO INFERIORE SERRATURA GRY E	LOCK SIDE LOWER STRIP GREY E3303	PROFILLE INFERIEUR SERRURE GRIS E	Schamteil unten rot		
43	0875.055	PANNELLO FERMAVETRO DX	GLASS RETAINING PANEL RIGHT	PANNEAU FERMETURE VITRE DROIT	PROFILO INFERIORE SERRATURA GRY		
44	U109.003	VITE AUT.TCB 3.5X9.5 DIN 7981 C	Screw AUT.TCB 3.5X9.5 DIN 7981 C NIC	VIS TCB3.5X9.5DIN7981CNIK	Glashalterung rechts		
45	0875.162.860	PANNELLO SUP. VETRO GRY E3303	UPPER PANEL GLASS GRY E3303	PANNEAU SUP VITRE GRY E3303	Linsen-Blechs. 3.5x9.5 DIN 7981		
46	11002537	PANNELLO SUPERIORE VETRO ROSSO	UPPER PANEL GLASS RED	PANNEAU SUP VITRE ROUGE	Blende oben zu Fronttüre unten		
47	11022690	PANNELLO SUPERIORE VETRO BLK	UPPER PANEL GLASS BLK	PANNEAU SUP VITRE NOIR	Blende oben zu Glas BLK		
48	0875.190.860	TAPPO PROFILO SX GRY E3303	LEFT STRIP CAP GRY E3303	BOUCHON POUR PROFILLE GAUCHE	Verschlußprofil für Snacktüre li		
49	11002538	DADO ESAGONALE M6 UNI 5588 ZNP	LEFT STRIP CAP RED	BOUCHON DE BAGUETTE GAUCHE ROUGE	Abdeckung zu PROFIL LINKS ROT		
50	U302.004	ROSETTA DENT. 6.4X11 UNI 3703 BR	nut HEXAGONAL M6 UNI 5588	ECROU M6 UNI 5588 ZNP	Sechskantmutter M6 DIN 934 verz.		
51	U302.006	DADO ESAGONALE M10 UNI 5588 ZNP	nut HEXAGONAL M10 UNI 5588	RONDELLE 6.4X11	Zahnscheibe ø6.4x11		
52	U208.008	ROSETTA DENT. 10.5X18 UNI 3703 Z	TOOTHED WASHER 10.5X18 UNI 3703	VIS	Sechskantmutter M10 DIN 985 verz		
53	11003519	PIASTRINA X SERRATURA COMBI	PLATE FOR LOCK COMBI	LEVIER DE SERRURE	Fächerscheibe A10.5 DIN 6798		
54	1863.357	LEVETTA SERRATURA	LOCK LEVER	CROCHET DE FERMETURE	Plättchen zu Schloss		
55	0875.038	PERNO M10 X SERRATURA	LOCK FOR PIN M10	RALLONGE M10 POUR SERRURE	Schloßbügel Cristallo		
56	11003515	PERNO X SERRATURA M6 COMBI	PIN FOR LOCK M6 COMBI	PIVOT DE SERRURE M6	Stift für Schloss, ab Serien Nr.		
57	0875.057	SQUADRETTA CHIUSURA SPORTTELLO	DOOR CLOSURE BRACKET	EQUERRE FERMETURE PORTE	Boizen zu Schloss		
58	0875.262	BOCCOLA SERRATURA	LOCK BUSH	PIVOT POUR SERRURE	Winkelstück zu Türschloß		
59	0875.218	CHIAVE IN USO RIELDA A1306A	KEY RIELDA A1306A	BAGUE SERRURE	Hülse zu Türschloß		
60	NV02.229	Serr. Mod.512.0 + Chiave A1306A	LOCK RIELDA MOD.512 + KEY	SERRURE RIELDA MOD.512 + CLEFS	Schlüssel Rielda A1306A		
61	0875.182.840	MATTONELLA INFERIORE NEUTRA	LOWER NEUTRAL TILE	PLAQUE INFERIEUR	Schloß + Schlüssel Rielda		
62	11003846	MATTONELLA INFERIORE NEUTRA BEIG	LOWER NEUTRAL TILE BEIGE	PLAQUE INFERIEUR BEIGE	Blende unten unbeschriftet		
63	11025041	MATTONELLA INFERIORE NEUTRA BLK	LOWER NEUTRAL TILE BLK	PLAQUE INFERIEUR NEUTRE NOIRE	Abdeckung unten beige für Münzpr		
64	1602.R02	CHIAVE SERRA.MERONI NV02.091 KA	KEY FOR MERONILOCK	CLE POUR SERRURE MERONI	Abdeckung unten blk für Münzprüf		
65	NV02.052	SERRATURA TUBOLARE L.31	TUBULAR LOCK L.31	SERRURE DAT0P/8P	Schlüssel zu Schloss Meroni		
66	U208.004	ROSETTA DENT. 3.8X7.5 UNI 3703 B	TOOTHED WASHER 3.8X7.5 UNI 3703	RONDELLE DENTEE 3.8X7.5 UNI 3703	Türschloß 3351 MM 31 90 DX		
67	11002542	MATTONELLA INTRODUZIONE MONETE	COIN INTRODUCTION TILE	PLAQUE INTRODUCTION MONNAIE	Fächerscheibe A3.8 DIN 6798 brdn		

N.POSI COD	I - DESCRIZIONE	UK - DESCRIPTION	F - DESCRIPTION	D - BEZEICHNUNG	E - DESCRIPCION
52	11012483 ASS.MATTONELLA INTROD.UZ.MONETE M	COIN INTRODUCTION TILE ASS.BEIGE	PLAQUE INTRODUCTION MONNAIE BEIG	COIN INTRODUCTION TILE BEIGE	ASS.MATTONELLA INTROD.UZ.MONETE M
52	11012484 ASS.MATTONELLA INTROD.UZ.MONETE G	COIN INTRODUCTION TILE GREY E330	PLAQUE INTRODUCTION MONNAIE GREY	COIN INTRODUCTION TILE BLK	ASS.MATTONELLA INTROD.UZ.MONETE M
53	0875.189.860 TAPPO PROFILO DX GRY E3303	RIGHT STRIP CAP GRY E3303	PROTECTION DROITE GRY E3303	Verschluß Profil rechts	TAPPO PROFILO DX GRY E3303
53	11002535 TAPPO PROFILO DX ROSSO	RIGHT STRIP CAP RED	BOUCHON DE BAGUETTE DROITE	Abdeckung zu Profil rechts	PROFILO CENTRALE
54	0875.165.860 PROFILO CENTRALE GRI	CENTRAL STRIP L=1004	PROFILON CENTRAL	Profil mitte l=1004	PROFILO CENTRALE ROSSO I.1064.5
54	11002536 PROFILO CENTRALE ROSSO I.1064.5	CENTRAL STRIP GREY E3303	BAGUETTE CENTRALE ROUGE L.1064.5	CENTRAL STRIP GREY E3303	TAPPO PROFILO RETT.
54	11006814 PROFILO CENTRALE GRY E3303	RECTANGULAR STRIP CAP	CAPOT DE PROTECTION	Abdeckung zu Profil rechts	TAPPO PROFILO RETT.
55	0875.191.850 TAPPO PROFILO RETT.	DX PROFILE COVER BEIGE	BOUCHON DE BAGUETTE DROITE BEIGE	Abdeckung zu Profil rechts	TAPPO PROFILO RETT.
55	11002532 TAPPO PROFILO DX BEIGE	RIGHT STRIP CAP BEIGE	BOUCHON DE BAGUETTE DROITE GREY	Abdeckung zu Profil rechts	TAPPO PROFILO DX GRY
55	11006844 TAPPO PROFILO DX GRY	RIGHT STRIP CAP GREY	PLAQUETTE MONNAYEUR G13	RIGHT STRIP CAP GREY	MATTONELLA GETTONIERA G13
56	0875.187.840 MATTONELLA GETTONIERA G13	COIN BOX G13 TILE BEIGE	PLAQUE MONNAYEUR G13 BEIGE	Blende zu Münzprüfer G13	MATTONELLA GETTONIERA G13 BEIGE
56	11003845 MATTONELLA GETTONIERA G13 BLK	COIN BOX G13 TILE BLK	PLAQUE MONNAYEUR G13 NOIR	Blende zu Münzprüfer G13 blk	MATTONELLA GETTONIERA G13 BLK
56	11025040 MATTONELLA GETTONIERA G13 BLK	COIN BOX G13 TILE BLK	INTRODUCTION MONNAIE BEIGE	LENDE ZU MÜNZPRÜFER G13 BLK	MATTONELLA GETTONIERA G13 BLK
57	11001794 MOSTRINA INTRODUZIONE MONETE BEI	COIN INTRODUCTION FRONT PLATE BE	INTRODUCTION MONNAIE BEIGE	Rahmen beige Münzwurf Diamant	MOSTRINA INTRODUZIONE MONETE BEI
57	11022694 MOSTRINA INTRODUZIONE MONETE BLK	COIN INTRODUCTION FRONT PLATE BL	INTRODUCTION MONNAIE BLK	Rahmen BLK Münzwurf Diamant	MOSTRINA INTRODUZIONE MONETE BLK
57	9111.353.860 MOSTRINA INTROD.MONETE GRY E3303	COIN INTRODUCTION FRONT PLATE GR	INTRODUCTION MONNAIE GRY E3303	Rahmen Münzwurf P500/700 silb	MOSTRINA INTROD.MONETE GRY E3303
58	11001733 MOSTRINA INTRODUZIONE MONETE ROS	COIN INTRODUCTION FRONT PLATE RE	CARTER INTRODUCTION MONNAIE ROUG	Rahmen rot Münzwurf Diamante	MOSTRINA INTRODUZIONE MONETE ROS
58	11006847 MOSTRINA INTRODUZIONE MONETE GRY	COIN INTRODUCTION FRONT PLATE GR	INTRODUCTION MONNAIE GRISE	MOSTRINA INTRODUZIONE MONETE GRY	MOSTRINA INTRODUZIONE MONETE GRY
58	9111.601.930 MASCHERINA INTRODUZIONE MONETE	FRONT PLATE INTRODUCTION COIN	ENJOLIVEUR INTRODUCTION MONNAIE	Rahmen Münzwurf P500/700 Ila	MASCHERINA INTRODUZIONE MONETE
59	U701.003 ANELLO ELASTICO 7 UNI 7434	SNAP RING 7 UNI 7434	RONDELLE 7 UNI 7434	Sicherungsring ø7 elastisch	ANELLO ELASTICO 7 UNI 7434
60	9111.355 MOLLA X PULSANTE RENDIRESTO	SPRING FOR CHANGE BUTTON	RESSORT POUR BOUTON MONNAIE	Feder zu Geldrückgabetaste	MOLLA X PULSANTE RENDIRESTO
61	11001795 PULSANTE RECUPERO MONETE ROSSO	COIN RECOVERY BUTTON RED	BOUTON RECUPERATION MONNAIE ROUG	Taste rot Münzrückgabe Diamante	PULSANTE RECUPERO MONETE ROSSO
61	11006846 PULSANTE RECUPERO MONETE GRY	PULSANTE RECUPERO MONETE GRY	BOUTON RECUP.MONNAIE GRIS	Taste Grau Münzrückgabe	PULSANTE RECUPERO MONETE GRY
61	9111.354.930 PULSANTE RECUPERO MONETE VIOLA	COIN RECOVERY BUTTON VIOLET	BOUTON DE REMBOURSEMENT VIL.OET	Taste Münzrückgabe Ila P500/N70	PULSANTE RECUPERO MONETE VIOLA
62	0870.123.860 MOSTRINA CONDOTTO RECUP.MONETE G	COIN RECOVERY DUCT FRONT PLATE G	CACHE RECUPERATION MONNAIE ARGEN	Rahmen Geldrückgabe silber BP56	MOSTRINA CONDOTTO RECUP.MONETE G
62	11001733 MOSTRINA CONDOTTO RECUPERO MONET	COIN RECOVERY DUCT FRONT PLATE B	CARTER RECUPERATION MONNAIE BEIG	Rahmen Geldrückgabe beige Diaman	MOSTRINA CONDOTTO RECUPERO MONET
62	11022693 MOSTRINA CONDOTTO RECUPERO MONET	COIN RECOVERY DUCT FRONT PLATE B	CARTER RECUPERATION MONNAIE NOIR	Rahmen Geldrückgabe BLK Diamante	MOSTRINA CONDOTTO RECUPERO MONET
63	0875.168.840 PROFILO INF. DX	LEFT LOWER STRIP	PROTECTION INF. DROITE	Profil unten rechts	PROFILO INF. DX
63	11002531 PROFILO INFERIORE DESTRO BEIGE	LEFT LOWER STRIP BEIGE MET.	BAGUETTE INFERIEURE DROITE BEIGE	Profil unten, rechts beige	PROFILO INFERIORE DESTRO BEIGE
63	11006818 PROFILO INFERIORE DX GRY E3303	LEFT LOWER STRIP GREY E3303	PROTECTION INF. DROITE	RIGHT LOWER STRIP GREY E3303	PROFILO INFERIORE DESTRO BEIGE
63	11022845 PROFILO INF.DX GRIGIO	RIGHT LOWER STRIP GREY	PROFILE INF.DX GRIGIO	RIGHT LOWER STRIP GREY	PROFILO INF.DX GRIGIO



N.POSI COD	I - DESCRIZIONE	UK - DESCRIPTION	F - DESCRIPTION	D - BEZEICHNUNG	E - DESCRIPCION	NOTE	
60	SUPPORTO LEVA RECUPERO MONETE	SUPPORT LEVER COIN RECOVERY	SUPPORT DE LEVIER	befestigungsblech zu Geldrückgab	SUPPORTO LEVA RECUPERO MONETE	Saeco	
61	LEVA RECUPERO MONETE	LEVER COIN RECOVERY	LEVIER DE RECUPERATION	Rückgabehel	LEVA RECUPERO MONETE	Saeco	
62	ASS.LEVA RECUPERO MONETE	LEVER ASS. COIN RECOVERY	ENSEMBLE MECANISME RECUPERATION	Rückgabehel Kpl.	ASS.LEVA RECUPERO MONETE	Saeco	
63	PARATIA REGOLABILE	ADJUSTABLE PLATE	PLAQUE AJUSTABLE	Geldrückgabeklappe	PARATIA REGOLABILE	Saeco	
64	DADO M4 FLANGIATO BASE DENTELLAT	NUT M4 FLANGED INDENTED BASE	ECROU	Secriskantrmutter M4 DIN 934	DADO M4 FLANGIATO BASE DENTELLAT	Saeco	
65	CONDOTTO RECUPERO MONETE	DUCT COIN RECOVERY	CONDUIT RECUPERATION MONNAIE	Geldausgabeschacht	CONDOTTO RECUPERO MONETE	Saeco	
66	FONDO CONDOTTO MONETE NERO	COIN CHUTE BOTTOM BLACK	FOND DE CONDUIT MONNAIE NOIR	Unterteil Trichter Rückgab	FONDO CONDOTTO MONETE NERO	Saeco	
© by Saeco, a company of Evoca Group - GAGGIO MONTANO					E008.975	14/01/2019	Combi Snack



N.POSI COD	I - DESCRIZIONE	UK - DESCRIPTION	F - DESCRIPTION	D - BEZEICHNUNG	E - DESCRIPCION
1	0875.990 TARGHETTA X TASTIERA 5 FUNZIONI	TOUCH PANEL PLATE	PLAQUETTE CLAVIER	Aufkleber Tastatur 5 Funktionen	TARGHETTA X TASTIERA 5 FUNZIONI
2	0875.741 TASTIERA X FUNZIONI RAPIDE	TOUCH PANEL	CLAVIER COMBI FONCTION RAPIDE	Service tastatur 5 dinggerate	TASTIERA X FUNZIONI RAPIDE
3	U110.004 VITE AUT.TCB 3,5X6,5 DIN 7981 F	screw AUT.TCB 3,5x6,5 DIN 7981 F	VIS AUT.TCB 3,5x6,5 DIN 7981 F	Schraube 3,5x6,5 DIN 7981 F	VITE AUT.TCB 3,5X6,5 DIN 7981 F
4	0875.268 CARTER PROTEZIONE SCHEDA CPU	CARD CPU CASING PROTECTION	CARTER PROTECTION COMBI SNACK	Schutzplatte zu Steuerung CPU	CARTER PROTEZIONE SCHEDA CPU
4	0875.361 CARTER PROTEZIONE SCHEDA CPU	CASING PROT. CPU/TOUCH PANEL	CARTER PROTECTION CPU	SCHUTZPLATTE ZU STEUERUNG CPU	CARTER PROTEZIONE SCHEDA CPU
5	0875.222 SUPP.X MICRO VANO EROGAZIONE	DISP.COMPART.MICRO SUPPORT	SUPPORT MICRO	Support zu Mikrosch. Ausgabesch.	SUPP.X MICRO VANO EROGAZIONE
6	NE05.018 MICROINTERRUTTORE	MICROSWITCH	MICRO INTERRUPTEUR	Microschalter Ausgaberaum	MICROINTERRUTTORE
7	0875.416 CARTER DX X PORTA SUPERIORE	CASING DX FOR DOOR UPPER	CARTER DROITE PORTE SUPERIEUR	Winkelstück re. zu Ausgabeschach	CARTER DX X PORTA SUPERIORE
8	NF11.015 RIVETTO AD ESPANS. D=2,9X8MM,ALL	EXPANSION RIVET D=2,9X8,ALL.	ATTACHES	Hohlniete d=2,8x8 All.	RIVETTO AD ESPANS. D=2,9X8MM,ALL
9	0875.266 SQUADRETTA X BLOCCAGGIO VANO	SCREW AUT.TCB 3,9X19 DIN 7981 C	EQUERRE DE BLOCCAGE	Winkelstück zu Ausgabeschacht	SQUADRETTA X BLOCCAGGIO VANO
10	U109.012 VITE AUT.TCB 3,9X19 DIN 7981 C N	screw AUT.TCB 3,9x19 DIN 7981 C	VIS AUT.TCB 3,9x19	Blechschr. 3,9x 19 Ni	VITE AUT.TCB 3,9X19 DIN 7981 C N
11	11011054 PERNO X BORCHIA D.8 POM	PIN FOR BOSS D.8	ENTRETOISE D.8	PIN FOR BOSS D.8	PERNO X BORCHIA D.8 POM
12	0875.142.470 CARCASSA VANO EROGAZIONE	DISPENSING COMPARTMENT CASING	CHASSIS RECEPTACLE	Ausgabeschacht	CARCASSA VANO EROGAZIONE
13	0875.143.050 VASCHETTA VANO EROGAZIONE	DISPENSING COMPARTMENT TRAY	BAC DE RECUPERATION	Restwasserablauf	VASCHETTA VANO EROGAZIONE
14	NE13.077 MOLLA X VASCHETTA VANO EROGAZION	SPRING FOR DISPENSING SPACE TANK	RESSORT	Feder zu Abtropfschale Ausgabes.	MOLLA X VASCHETTA VANO EROGAZION
15	0875.233 STARTER 4-22W - ST151	STARTER 4-22W - ST151	STARTER 4-22W - ST151	Starter 4-22W CS Instant N	STARTER 4-22W - ST151
16	U116.005 VITE AUT.PT TCB 3,0X8 WN 1441 ZN	screw AUT.PT TCB 3,0x8 WN 1441	VIS DE FIXATION	Schraube 3,0 x 8	VITE AUT.PT TCB 3,0X8 WN 1441 ZN
17	NE13.021 PORTASTARTER	STARTER HOLDER	SUPPORT STARTER	Aufnahme Starter	PORTASTARTER
18	NE17.002 FERMACAVO ADES.X CAVI TONDI D=10	ADH.CABLE RETAI.ROUND CABLE D=10	PLAQUETTE DE TENUE	Kabelhalterung ITW 99-0255-1100	FERMACAVO ADES.X CAVI TONDI D=10
19	U109.036 VITE AUT.TCB 3,9X16 DIN 7981 C N	screw AUT.TCB 3,9x16 DIN 7981 C	VIS AUT.TCB 2,9X16 DIN 7981 F	Linsen-Blechschr. 3,9x16 DIN 798	VITE AUT.TCB 3,9X16 DIN 7981 C N
20	U110.007 VITE AUT.TCB 2,9X16 DIN 7981 F Z	SCREW AUT.TCB 2,9x16 DIN 7981 F	VIS AUT.TCB 2,9X16 DIN 7981 F ZN	Linsen-Blechs. 2,9x16 DIN 7981 F Z	VITE AUT.TCB 2,9X16 DIN 7981 F Z
21	0875.220 ATTUATORE MICRO PORTA SUPERIORE	UPPER DOOR MICRO ACTUATOR	PLAQUE POUR CONTACT DE PORTE	Starter Mikroschaller zu Tur obe	ATTUATORE MICRO PORTA SUPERIORE
22	0301.052 GUARNIZIONE X VITE EROGATORE	SEAL FOR DISPENSER SCREW	JOINT	Dichtung Feststellschraube MA, R	GUARNIZIONE X VITE EROGATORE
23	0875.258.050 ANELLO X FLANGIA NERO	BLACK RING FOR FLANGE	ANNEAU	Ring schwarz zu Turflansch	ANELLO X FLANGIA NERO
24	0875.150 GOMMINO X VANO EROGAZIONE	RUBBER FOR DISPENSING COMP.	GOMME	Schutzgummi	GOMMINO X VANO EROGAZIONE
25	0875.149 MOLLA X VANO EROGAZIONE	SPRING FOR DISPENSING COMP.	RESSORT	Feder zu Ausgabeschacht	MOLLA X VANO EROGAZIONE
26	U109.016 VITE AUT.TCB 3,9X13 DIN 7981 C N	screw AUT.TCB 3,9x13 DIN 7981 C	VIS TCB3,9X13DIN7981C NIK	Schraube 3,9X13 DIN 7981 C	VITE AUT.TCB 3,9X13 DIN 7981 C N
27	0875.214.930 MANIGLIA VANO EROGAZIONE	DISPENSING COMPART.M.HANDLE	POIGNEE ROUGE	Griff zu Ausgabeschacht	MANIGLIA VANO EROGAZIONE
27	11002545 MANIGLIA VANO EROGAZIONE ROSSA	DISPENSING COMPART.M.HANDLE RED	POIGNEE ROUGE	Griff rot Ausgabefach Diamante	MANIGLIA VANO EROGAZIONE ROSSA
28	11006842 MANGLIA VANO EROGAZIONE GRY	DISPENSING COMPART.M.HANDLE GREY	CARTER RECEPTACLE GOBELETS	MANIGLIA VANO EROGAZIONE GRY	MANGLIA VANO EROGAZIONE GRY
28	0875.400.050 CARTER X VANO EROGAZIONE	CASING FOR DISPENSING COMPART.	CARTER RECEPTACLE GOBELETS	Ring für Becherausgabe schwarz C	CARTER X VANO EROGAZIONE
29	U110.006 VITE AUT.TCB 2,9X13 DIN 7981 F N	screw AUT.TCB 2,9x13 DIN 7981 F	VIS AUT.TCB 2,9X13 DIN 7981 F NI	SCHRAUBE 2,9X13 DIN 7981	VITE AUT.TCB 2,9X13 DIN 7981 F N
30	0875.401 BOCCOLA X LEVA BLOCCAGGIO VANO	BUSH FOR BLOCK LEVER	ENTRETOISE	Buchse für Feder CS neu	BOCCOLA X LEVA BLOCCAGGIO VANO
31	0875.428.270 LEVA SX BLOCCAGGIO VANO EROGAZIO	LEFT LEVER BLOCK VAIN DISPENCER	LEVIER DE BLOCCAGE RECUP GOBELETS	Verschlußhebel links Ausgabefach	LEVA SX BLOCCAGGIO VANO EROGAZIO
32	0875.405.050 ASS.CARCASSA VANO EROGAZIONE	CASING ASS.	CHASSIS RECEPTACLE	Gehäuse Ausgabefach CS neu	ASS.CARCASSA VANO EROGAZIONE
33	0875.395.270 LEVA DX BLOCCAGGIO VANO EROGAZIO	RIGHT LEVER BLOCK VAIN DISPENCER	LEVIER DE BLOCCAGE	Verschlußhebel rechts Ausgabefac	LEVA DX BLOCCAGGIO VANO EROGAZIO
34	0875.394.050 VASCA DEFUSSO LIQUIDI X VANO ER	TANK OUTFLOW LIQUID FOR VAIN DIS	VASQUE DE RECUPERATION EAUX	Restwasserablauf CS neu	VASCA DEFUSSO LIQUIDI X VANO ER
35	0875.398.270 LEVA X FLANGIA SPORT.VANO EROGAZ	LEVER FOR DOOR FLANGE VAIN DISPE	LEVIER DE PORTE SUPPORT GOBELET	Griff Ausgabefach CS neu	LEVA X FLANGIA SPORT.VANO EROGAZ
36	0875.396.050 FLANGIA BLOCCAGGIO SPORTELLO VAN	DOOR RETAINING FLANGE	FLASQUE DE BLOCCAGE PORTE RECEPTA	Aufhängung für Becherausgabesche	FLANGIA BLOCCAGGIO SPORTELLO VAN
37	0875.402 PERNO X MOLLA VANO EROGATORE	PIN FOR SPRING	AXE DE RESSORT	Gelenk für Feder CS neu	PERNO X MOLLA VANO EROGATORE
38	0875.399.270 SUPPORTO X PERNO MOLLA VANO EROG	SUPPORT FOR PIN SPRING VAIN DISP	SUPPORT D'AXE DE RESSORT	Halterung CS neu	SUPPORTO X PERNO MOLLA VANO EROG
39	11002553 SPORT.VANO EROGAZ SALDATO GRIGLI	WELDED BEVERAGES DISPENSER'S DOO	ENS. RECUP GOBELET	Schiebetür Ausgabefach Pixiglas	SPORT.VANO EROGAZ SALDATO GRIGLI
40	0875.R15 KIT RICAMBIO VANO EROGAZIONE	KIT SPARE PART VAIN DISPENCER	KIT RECEPTACLE GOBELETS	Umbaukit Becherausgabe CS neu	KIT RICAMBIO VANO EROGAZIONE
41	0875.A56 ASS. VANO EROGAZIONE 2004	DISPENSING COMPARTMENT ASS.	RECEPTACLE GOBELETS	Ausgabeschacht kpl.	ASS. VANO EROGAZIONE 2004
41	11002772 ASS.VANO EROGAZIONE GRY	DISPENSING COMPARTMENT ASS.	RECEPTACLE GOBELETS DIAMANTE	Ausgabefach Kaffee kpl. Diamant	ASS.VANO EROGAZIONE GRY
41	11006851 ASS.VANO EROGAZIONE	DISPENSING COMPARTMENT ASS.	RECEPTACLE GOBELETS DIAMANTE GRI	DISPENSING COMPARTMENT GREY	ASS.VANO EROGAZIONE
42	0875.439 PIASTRINA X PERNO MOLLA VANO ERO	PLATE FOR PIN D.3.2	PLAQUE POUR RESSORT D.3.2	Halterung CS neu	PIASTRINA X PERNO MOLLA VANO ERO
43	0875.046.840 SPORTELLO SUPERIORE	UPPER DOOR	PORTE SUPERIEURE BLEUE	Tür oben CS	SPORTELLO SUPERIORE
43	11002512 SPORTTELLO SUPERIORE SALDATO BEIG	UPPER DOOR BEIGE MET.	PORTE SUP BEIGE MET	TUR OBEN DIAMANTE BEIGE	SPORTTELLO SUPERIORE SALDATO BEIG
43	11006769 SPORTTELLO SUPERIORE SALDATO GRY	UPPER DOOR GREY E3303	PORTE SUP GREY E3303	TUR OBEN DIAMANTE GRAU	SPORTTELLO SUPERIORE SALDATO GRY
43	11022592 SPORTTELLO SUPERIORE SALDATO BLK	UPPER DOOR BLK	PORTE SUP NOIR	TUR OBEN DIAMANTE BLK	SPORTTELLO SUPERIORE SALDATO BLK
44	U143.021 VITE SPECIALE 4,8X9,5 AUTOFIL.	screw SPECIAL 4,8x9,5 SELF TAP.	VIS SPECIALE 4,8X9,5 SELF TAP.	Spezialschraube 4,8x9,5 selbstsc	VITE SPECIALE 4,8X9,5 AUTOFIL.
45	0875.435 CARTER DI PROTEZIONE SUPP:NEON	PROTECTION CARTER	CARTER DE PROTECTION	PROTECTION CARTER	CARTER DI PROTEZIONE SUPP:NEON
46	0875.446 BIADESIVO PER CARTER SUPP:NEON	DOUBLE SIDED TAPE	ADHESIF POUR CARTER	Doppel seitige Klebeband	BIADESIVO PER CARTER SUPP:NEON
47	0875.324 BOCCOLA X SPORTELLO	BUSH FOR DOOR	BAGUE DE PORTE	Konturmutter zur Hülse	BOCCOLA X SPORTELLO
48	0875.325 CONTRODADO X BOCCOLA	LOCK NUT FOR BUSH	CONTRE ECROU	Zwischenschelbe CombiSnack	CONTRODADO X BOCCOLA
49	0875.134 PANNELLO OPALINO	SEMI-TRANSP.PANEL	PANNEAU ARRIERE TRANSPARENT	Werbelektakf CS	PANNELLO OPALINO
50	0875.132 DIAPOSITIVA	SLIDE	PHOTOS	Diabild	DIAPOSITIVA
50	11002548 DIAPOSITIVA COMBI SERIE BEIGE	COMBI DIA BEIGE SERIES	DIAPHO SERIGRAPHIE DAMANTE BEIGE	Diabild	DIAPOSITIVA COMBI SERIE BEIGE
50	11012134 DIAPOSITIVA DIAMANTE GREY	DIAMANTE DIA GREY	DIAPHO SERIGRAPHIE DAMANTE GRISE	Diabild	DIAPOSITIVA DIAMANTE GREY
50	11021805 DIAPOSITIVA DIAMANTE NERO	DIAMANTE DIA BLACK	DIAPHO SERIGRAPHIE DAMANTE NOIR	Diabild	DIAPOSITIVA DIAMANTE NERO
51	0875.133 PANNELLO TRASPARENTE	TRANSPARENT PANEL	PANNEAU TRANSPARENT	Plexiglas CombiSnack	PANNELLO TRASPARENTE
51	0875.344 PANNELLO TRASPARENTE N.V.	TRANSPARENT PANEL N.V.	FACADE TRANSPARENT	Plexiglasschleibe CS Instant N	PANNELLO TRASPARENTE N.V.
52	0875.216.860 PROFILO SUPERIORE SERRATURA GRI	LOCK SIDE UPPER STRIP	PROFILLE SUPERIEUR SERRURE	Profil oben links CS silber	PROFILO SUPERIORE SERRATURA
52	11002542 PROFILO SUPERIORE SERRATURA ROSS	LOCK SIDE UPPER STRIP RED	BAGUETTE SUPERIEURE SERRURE ROUG	Schamleiste oben rot.	PROFILO SUPERIORE SERRATURA ROSS
52	11006812 PROFILO SUPERIORE SERRATURA GRY	LOCK SIDE UPPER STRIP GREY E3303	PROFILLE SUPERIEUR SERRURE	Neonleuchte 18W BX18840	PROFILO SUPERIORE SERRATURA GRY
53	NE13.062 NEON GE BIAX 18W BX18840	NEON GE BIAX 18W BX18840	TUBE NEON 18W COMBI	Gerätefuß sz. selbstklebend	NEON GE BIAX 18W BX18840
54	NV01.001 PIEDINO ADESSIVO	ADHESIVE FOOT	PIED ADHESIF	Halteplatte Netzteil zu Leuchtrö	PIEDINO ADESSIVO
55	0875.245 PIASTRA SUPPORTO NEON X DIAP.	LATE NEON SUPP. FOR PROJ. SLIDE	SUPPORT ALIMENTATION NEON		PIASTRA SUPPORTO NEON X DIAP.



solo UL
solo UL

fino mat. 2752
da matr. 2753

da matr. 9003DCS0005119
da matr. 9003DCS0005119

E - DESCRIPCION

D - BEZEICHNUNG

F - DESCRIPTION

UK - DESCRIPTION

Combi Snack

14/01/2019

06

E008.975

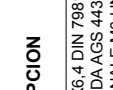
GAGGIO MONTANO

© by Saeco, a company of Evoca Group - GAGGIO MONTANO

N.POSI	COD	I - DESCRIZIONE	UK - DESCRIPTION	F - DESCRIPTION	D - BEZEICHNUNG	E - DESCRIPCION
56	129511903	VITE TCB 2.9X6.4 DIN 7981 BZ NIK	SCREW TCB 2.9X6.4 DIN 7981 BZ NIK	VIS TCB 2.9X6.4 UNI 7981 BZ NIK	Blechschraube 2.9X6.4 Ni	VITE TCB 2.9X6.4 DIN 7981 BZ NIK
57	NE13.004	PORTALAMPADA AGS 443/A X2G11	LAMP HOLDER AGS 443/A X2G11	PORTE LAMPE	Sockel Neonleuchte	PORTALAMPADA AGS 443/A X2G11
58	U302.004	DADO ESAGONALE M6 UNI 5588 ZNP	nut HEXAGONAL M6 UNI 5588	ECROU M6 UNI 5588 ZNP	Sechskantmutter M6 DIN 934 verz.	DADO ESAGONALE M6 UNI 5588 ZNP
59	U208.006	ROSETTA DENT. 6.4X11 UNI 3703 BR	TOOTHED WASHER 6.4X11 UNI 3703	RONDELLE 6.4X11	Zahnscheibe 06.4x11	ROSETTA DENT. 6.4X11 UNI 3703 BR
60	U208.006	DADO ESAGONALE M10 UNI 5588 ZNP	nut HEXAGONAL M10 UNI 5588	VIS	Sechskantmutter M10 DIN 985 verz	DADO ESAGONALE M10 UNI 5588 ZNP
61	U302.008	ROSETTA DENT. 10.5X18 UNI 3703 Z	TOOTHED WASHER 10.5X18 UNI 3703	RONDELLE	Fächerscheibe A10.5 DIN 6798	ROSETTA DENT. 10.5X18 UNI 3703 Z
62	1863.057	PIASTRINA X SERRATURA COMBI	PLATE FOR LOCK COMBI	LOCK LEVER	Plattchen zu Schloss	PIASTRINA X SERRATURA COMBI
63	0875.338	LEVETTA SERRATURA	LOCK LEVER	CROCHET DE SERRURE	Schloßbügel Cristallo	LEVETTA SERRATURA
64	11003515	PERNO M10 X SERRATURA	LOCK FOR PIN M10	RALLONGE M10 POUR SERRURE	Stift für Schloss ab Serien Nr.	PERNO M10 X SERRATURA
65	0875.057	PIQUADRETTA CHIUSURA SPORTELLO	DOOR CLOSURE BRACKET	PIVOT DE SERRURE M6	Boizen zu Schloss	PIQUADRETTA CHIUSURA SPORTELLO
66	0875.218	PERNO X SERRATURA	PIN FOR LOCK	EQUERRE FERMETURE PORTE	Winkelstück zu Türschloß	PERNO X SERRATURA
67	0875.218	BOCCOLA SERRATURA	LOCK BUSH	BAGUE SERRURE	Stift für Schloss	BOCCOLA SERRATURA
68	11002.243	CHIAVE IN USO RIELDA AJ306A	KEY RIELDA AJ306A	CLEF RIELDA AJ306A	Hülse zu Türschloß	CHIAVE IN USO RIELDA AJ306A
69	11002.229	Serr. Mod.512.0 + Chiave AJ306A .	LOCK RIELDA MOD.512 + KEY	SERRURE RIELDA MOD.512 + CLEFS	Schlüssel Rielda AJ306A	SERRATURA RIELDA MOD.512 + CHIAV
70	11003086	RINFORZO IMMAGINE PUBBLICITA' AT	REINFORCEMENT IMAGE ADVERTISING	RENFORT LEXAN ATLANTE	Schloß + Schlüssel Rielda	RINFORZO IMMAGINE PUBBLICITA' AT
71	1602.002	CHIAVE SERRATURA MERONI NV02.091 KA	KEY FOR MERONLOCK	CLE POUR SERRURE MERONI	Schlüssel zu Schloss Meroni	CHIAVE SERRATURA MERONI NV02.091 KA
72	11002.052	SERRATURA TUBOLARE L.31	TUBULAR LOCK L.31	SERRURE DA10P/8P	Türschloß 3351 MM 31 90 DX	SERRATURA TUBOLARE L.31
73	0875.345.860	PANNELLO SUPERIORE VETRINA GRY E	UPPER PANEL GLASS GRY E3303	CARTER SUPERIEUR GRY E3303	Paneeel oben CS silber	PANNELLO SUPERIORE VETRINA GRY E
74	11002541	PANNELLO SUPERIORE VETRINA ROSSO	UPPER PANEL GLASS RED	CARTER SUPERIEUR ROUGE	Blende oben zu Glas	PANNELLO SUPERIORE VETRINA ROSSO
75	11002541	PROFILO SUP. DX	RIGHT UPPER STRIP	BAGUETTE DROITE SUP BLEU	Profil oben rechts CS blau	PROFILO SUP. DX
76	11002530	PROFILO DX SUPERIORE BEIGE MET.	RIGHT UPPER STRIP BEIGE MET.	BAGUETTE DROITE SUP BEIGE	Profil rechts / breit rot	PROFILO DX SUPERIORE BEIGE MET.
77	11006813	PROFILO SUPERIORE DX GRY E3303	RIGHT UPPER STRIP GREY E3303	BAGUETTE DROITE SUP GREY E3303	Profil rechts / schmal rot	PROFILO SUPERIORE DX GRY E3303
78	11022844	PROFILO SUP. DX GRIGIO	RIGHT UPPER STRIP GREY	PROFILER SUP. DX GRIS	Profil rechts / schmal silber	PROFILO SUP. DX GRIGIO
79	0875.242.840	MATTONELLA X DISPLAY SERIG.	LOCK SIDE LOWER STRIP	PLAQUE DISPLAY	Blende zu Display	MATTONELLA X DISPLAY SERIG.
80	11002515	MATTONELLA X DISPLAY BEIGE METS	BEIGE DISPLAY PLATE WITH LOGO	PLAQUE POUR AFFICHEUR BEIGE	Blende zu Display Diamante beige	MATTONELLA X DISPLAY BEIGE MET.S
81	11012241	MATTONELLA X DISPLAY GREY SERIG.	LOCK SIDE LOWER STRIP	PLAQUE DISPLAY	Blende zu Display Diamante beige	MATTONELLA X DISPLAY GREY SERIG.
82	11022586	MATTONELLA X DISPLAY BLK SERIGRA	BLK DISPLAY PLATE WITH LOGO	PLAQUE POUR AFFICHEUR NOIR	Blende zu Display Diamante BLK L	MATTONELLA X DISPLAY BLK SERIGRA
83	15000325	ETICHETTA ADESAVIA ITALIAN TIME D	ITALIAN TIME LABEL D=60MM	ADHESIF ITALIAN TIME	"Emblem" "Italian Time"	ETICHETTA ADESAVIA ITALIAN TIME D
84	0875.181	LAMIERA POSTERIORE X MATT.TRASP.	REAR SHEET METAL FOR TRANSP.TILE	PLAQUE METAL INFE	Innenblech zu Blende transparent	LAMIERA POSTERIORE X MATT.TRASP.
85	11002514	MATTONELLA NEUTRA	NEUTRAL TILE	PLAQUE METAL INFE	Blende unbedruckt	MATTONELLA NEUTRA
86	0875.171.840	MATTONELLA NEUTRA SUPERIORE BEIG	NEUTRAL BEIGE UPPER PLATE	PLAQUE NEUTRE SUP BEIGE	Abdeckung beige standard Diamant	MATTONELLA NEUTRA SUPERIORE BEIG
87	11006810	MATTONELLA NEUTRA SUPERIORE GREY	NEUTRAL TILE UPPER GREY E3303	PLAQUE METAL INFE	Abdeckung BLK standard Diamante	MATTONELLA NEUTRA SUPERIORE BLK
88	11002598	MATTONELLA NEUTRA SUPERIORE BLK	NEUTRAL BLK UPPER PLATE	PLAQUE NEUTRE SUP NOIR	Abdeckung BLK standard Diamante	MATTONELLA NEUTRA SUPERIORE BLK
89	0875.136.860	PROFILO CORNICI SPORTELLO GRI	DOOR FRAME STRIP	CORNIERE DE PORTE	Profil rechts / breit silber	PROFILO CORNICI SPORTELLO
90	11002534	PROFILO CORNICI SPORTELLO ROSSO	DOOR FRAME STRIP RED	BAGUETTE DE PORTE ROUGE	DOOR FRAME STRIP RED	PROFILO CORNICI SPORTELLO ROSSO
91	11006815	PROFILO CORNICI SPORTELLO GRY E3	DOOR FRAME STRIP GREY E3303	BAGUETTE DE PORTE ROUGE	Profil rechts / breit grau	PROFILO CORNICI SPORTELLO ROSSO
92	0875.126.860	PANNELLO EROGAZIONE GRY E3303	DISPENSER PANEL GRY E3303	PANNEAU RECUP GRY E3303	Blende zu Ausgabeschacht	PANNELLO EROGAZIONE GRY E3303
93	11002543	PANNELLO EROGAZIONE ROSSO	DISPENSER PANEL RED	PANNEAU RECUP GRY E3303	Blende zu Ausgabeschacht	PANNELLO EROGAZIONE ROSSO
94	11002543	PANNELLO EROGAZIONE BLK	DISPENSER PANEL BLK	PANNEAU RECUP GRY E3303	Ausgabe rot Diamante	PANNELLO EROGAZIONE ROSSO
95	0875.956	PANNELLO CHIUSURA PANNELLI GRY E3	PANEL CLOSURE STRIP GRY E3303	BANDEAU FERMETURE PANNEAU GRY E3	Zierleiste Comb/Snack silber	PANNELLO CHIUSURA PANNELLI GRY E3
96	11002544	PANNELLO CHIUSURA PANNELLI ROSSO	PANEL CLOSURE STRIP RED	BANDEAU FERMETURE PANNEAU ROUGE	Profil zu Blende Ausgabesch.	PANNELLO CHIUSURA PANNELLI ROSSO
97	11002544	PANNELLO CHIUSURA PANNELLI BLK	PANEL CLOSURE STRIP BLK	BANDEAU FERMETURE PANNEAU NOIR	Profil zu Blende Ausgabesch.	PANNELLO CHIUSURA PANNELLI BLK
98	0875.953	FOGLIO TARGHETTE PRODOTTI COMBI	DATA PLATES STRIP PRODUCED COMBI	NON UTILISEE PAR LA FRANCE ET BE	Produkt Schild Combi	FOGLIO TARGHETTE PRODOTTI COMBI
99	0875.956	FOGLIO TARGHETTE PRODOTTI COMBI	PRODUCTS LABELS SHEET COMBI F	ETIQUETTES PRODUITS COMBI F	Produkt Schild Combi	FOGLIO TARGHETTE PRODOTTI COMBI
100	0875.957	FOGLIO TARGHETTE PRODOTTI COMBI	PRODUCTS LABELS SHEET COMBI D	NON UTILISEE PAR LA FRANCE ET BE	Produkt Schild Combi	FOGLIO TARGHETTE PRODOTTI COMBI
101	0875.958	FOGLIO TARGHETTE PRODOTTI COMBI	PRODUCTS LABELS SHEET COMBI GB	NON UTILISEE PAR LA FRANCE ET BE	Produkt Schild Combi	FOGLIO TARGHETTE PRODOTTI COMBI
102	0875.959	FOGLIO TARGHETTE PRODOTTI COMBI	PRODUCTS LABELS SHEET COMBI P	NON UTILISEE PAR LA FRANCE ET BE	Produkt Schild Combi	FOGLIO TARGHETTE PRODOTTI COMBI
103	15000430	FOGLIO TARGHETTE PRODOTTI COMBI	PRODUCTS LABELS SHEET COMBI NL	ETIQUETTES PRODUITS DIAMANTE F	Produkt Schild Combi	FOGLIO TARGHETTE PRODOTTI COMBI
104	15000431	FOGLIO TARGHETTE PRODOTTI COMBI	PRODUCTS LABELS SHEET COMBI D	NON UTILISEE POUR LA FRANCE ET B	Produkt Schild Diamante	FOGLIO TARGHETTE PRODOTTI COMBI
105	15000432	FOGLIO TARGHETTE PRODOTTI COMBI	PRODUCTS LABELS SHEET COMBI GB	NON UTILISEE POUR LA FRANCE ET B	Produkt Schild Diamante	FOGLIO TARGHETTE PRODOTTI COMBI
106	15000433	FOGLIO TARGHETTE PRODOTTI COMBI	PRODUCTS LABELS SHEET COMBI E	NON UTILISEE POUR LA FRANCE ET B	Produkt Schild Diamante	FOGLIO TARGHETTE PRODOTTI COMBI
107	15000434	FOGLIO TARGHETTE PRODOTTI COMBI	PRODUCTS LABELS SHEET COMBI P	NON UTILISEE POUR LA FRANCE ET B	Produkt Schild Diamante	FOGLIO TARGHETTE PRODOTTI COMBI
108	15000435	FOGLIO TARGHETTE PRODOTTI COMBI	PRODUCTS LABELS SHEET COMBI NL	ETIQUETTES PRODUITS DIAMANTE F	Produkt Schild Diamante	FOGLIO TARGHETTE PRODOTTI COMBI
109	15000436	FOGLIO TARGHETTE PRODOTTI COMBI	PRODUCTS LABELS SHEET COMBI D	NON UTILISEE POUR LA FRANCE ET B	Produkt Schild Diamante	FOGLIO TARGHETTE PRODOTTI COMBI
110	15001896	FOGLIO ETICH.PRODOTTI DIAMANTE B	PRODUCTS LABELS SHEET DIAMANTE B	ETIQUETTE PRODUITS DIAMANTE BLK	Produkt Schild Diamante Italienis	FOGLIO ETICH.PRODOTTI DIAMANTE B
111	15001897	FOGLIO ETICH.PRODOTTI DIAMANTE B	PRODUCTS LABELS SHEET DIAMANTE B	ETIQUETTE PRODUITS DIAMANTE BLK	Produkt Schild Diamante Italienis	FOGLIO ETICH.PRODOTTI DIAMANTE B
112	15001898	FOGLIO ETICH.PRODOTTI DIAMANTE B	PRODUCTS LABELS SHEET DIAMANTE B	ETIQUETTE PRODUITS DIAMANTE BLK	Produkt Schild Diamante DE	FOGLIO ETICH.PRODOTTI DIAMANTE B
113	15001899	FOGLIO ETICH.PRODOTTI DIAMANTE B	PRODUCTS LABELS SHEET DIAMANTE B	ETIQUETTE PRODUITS DIAMANTE BLK	Produkt Schild Diamante ENG	FOGLIO ETICH.PRODOTTI DIAMANTE B
114	15002030	FOGLIO ETICH.PRODOTTI DIAMANTE B	PRODUCTS LABELS SHEET DIAMANTE B	NON UTILISEE POUR LA FRANCE ET B	Produkt Schild Diamante ESP	FOGLIO ETICH.PRODOTTI DIAMANTE B
115	15002031	FOGLIO ETICH.PRODOTTI DIAMANTE B	PRODUCTS LABELS SHEET DIAMANTE B	ETIQUETTE PRODUITS DIAMANTE BLK	Produkt Schild Diamante POR	FOGLIO ETICH.PRODOTTI DIAMANTE B
116	15002032	FOGLIO ETICH.PRODOTTI DIAMANTE B	PRODUCTS LABELS SHEET DIAMANTE B	ETIQUETTE PRODUITS DIAMANTE BLK	BESCHRIFTUNGSSATZ ANWEISUNGEN IT	FOGLIO ETICH.PRODOTTI DIAMANTE B
117	0875.954	TARGHETTA ISTRUZIONI COMBI I	INSTR.DATA PLATE COMBI I	NON UTILISEE PAR LA FRANCE ET BE	Beschriftungssatz Anweisungen Fr	TARGHETTA ISTRUZIONI COMBI I
118	0875.962	TARGHETTA ISTRUZIONI COMBI D	INSTR.DATA PLATE COMBI D	NON UTILISEE PAR LA FRANCE ET BE	Beschriftungssatz Anweisungen EN	TARGHETTA ISTRUZIONI COMBI D
119	0875.963	TARGHETTA ISTRUZIONI COMBI GB	INSTR.DATA PLATE COMBI GB	NON UTILISEE PAR LA FRANCE ET BE	Beschriftungssatz Anweisungen EN	TARGHETTA ISTRUZIONI COMBI GB
120	0875.965	TARGHETTA ISTRUZIONI COMBI E	INSTR.DATA PLATE COMBI E	NON UTILISEE PAR LA FRANCE ET BE	BESCHRIFTUNGSSATZ ANWEISUNGEN SP	TARGHETTA ISTRUZIONI COMBI E

NOTE
da matr. 9003DCS0005119
fino matr. 9004DCS0006264
fino matr. 9004DCS0006264
da matr. 9004DCS0006285
da matr. 9006DCS0012661
da matr. 9004DCS0006265
da matr. 9004DCS0006285
fino matr. 9006DCS0012661
fino matr. 9004DCS0006284
fino matr. 9004DCS0006264

solo UL
da matr. 2753



NOTE
da matr. 9003DCS0005119
fino matr. 9004DCS0006264
fino matr. 9004DCS0006264
da matr. 9004DCS0006285
da matr. 9006DCS0012661
da matr. 9004DCS0006265
da matr. 9004DCS0006285
fino matr. 9006DCS0012661
fino matr. 9004DCS0006284
fino matr. 9004DCS0006264

solo UL
da matr. 2753



Combi Snack

14/01/2019

E008.975

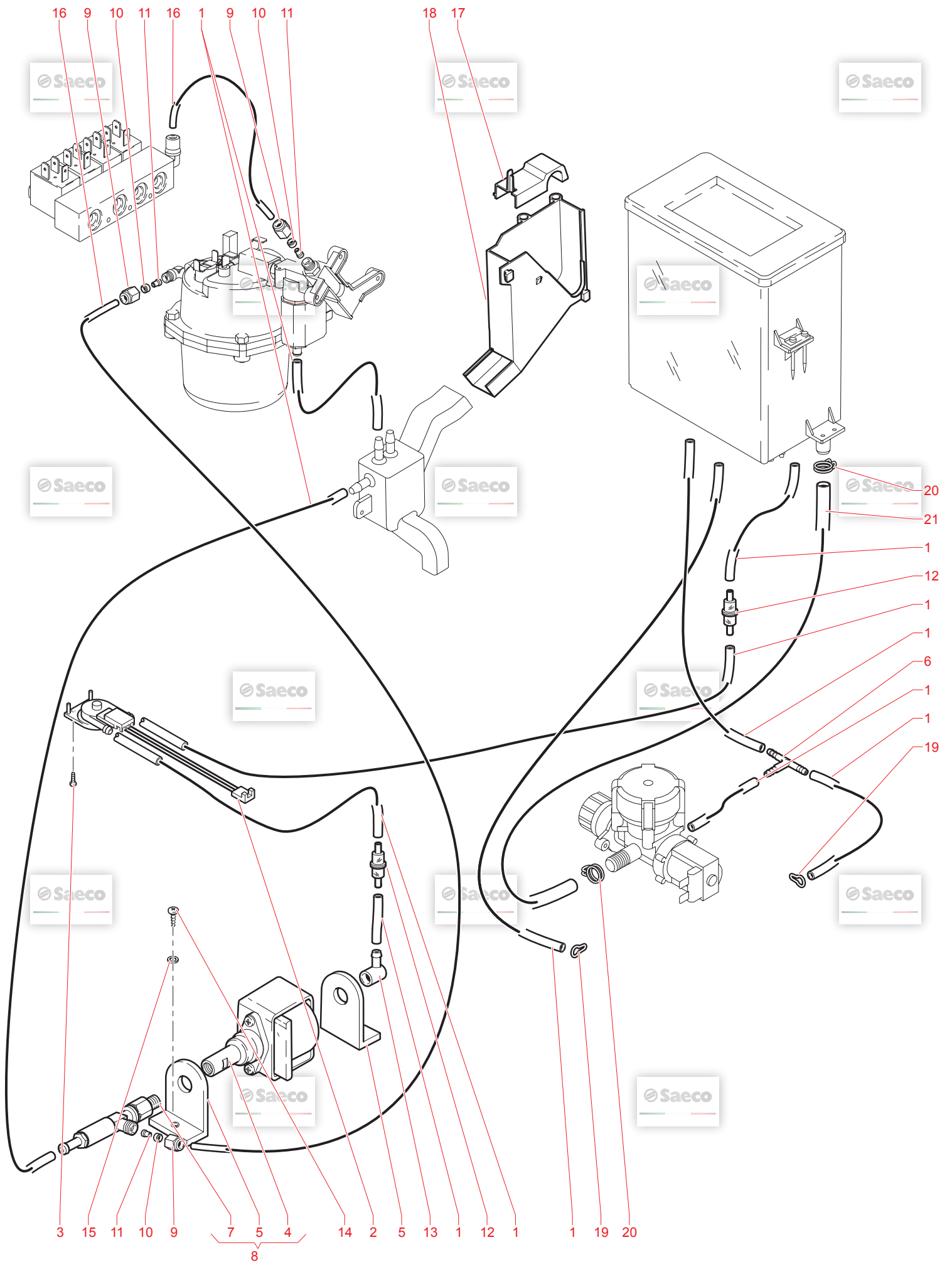
06

GAGGIO MONTANO

Evoca Group - GAGGIO MONTANO

© by Saeco, a company of Evoca Group

N.POSI COD	I - DESCRIZIONE	UK - DESCRIPTION	F - DESCRIPTION	D - BEZEICHNUNG	E - DESCRIPCION
82	TARGHETTA ISTRUZIONI COMBI P	INSTR.DATA PLATE COMBI P	NON UTILISEE PAR LA FRANCE ET BE	BESCHRIFTUNGSSATZ ANWEISUNGEN PO	ETICHETTA ISTRUZIONI COMBI F
82	TARGHETTA ISTRUZIONI COMBI NL	INSTR.DATA PLATE COMBI NL	ETIQUETTES INSTRUCTIONS COMBI NL	ETICHETTA ISTRUZIONI COMBI F	ETICHETTA ISTRUZIONI COMBI F
82	TARGHETTA ISTRUZIONI COMBI F	INSTRUCTIONS LABEL COMBI F	NON UTILISEE POUR LA FRANCE ET B	Bedienungschild Diamante	
82	ETICHETTA ISTRUZIONI COMBI D	INSTRUCTIONS LABEL COMBI D	NON UTILISEE POUR LA FRANCE ET B	BEDIENUNGSSCHILD DIAMANTE ENGLIS	
82	ETICHETTA ISTRUZIONI COMBI GB	INSTRUCTIONS LABEL COMBI GB	NON UTILISEE POUR LA FRANCE ET B	BEDIENUNGSSCHILD DIAMANTE SPANIS	
82	ETICHETTA ISTRUZIONI COMBI E	INSTRUCTIONS LABEL COMBI E	NON UTILISEE POUR LA FRANCE ET B	BEDIENUNGSSCHILD DIAMANTE POLNIS	
82	ETICHETTA ISTRUZIONI COMBI P	INSTRUCTIONS LABEL COMBI P	ETIQUETTES INSTRUCTIONS DIAMANTE	BEDIENUNGSSCHILD DIAMANTE NIEDER	
82	ETICHETTA ISTRUZIONI COMBI NL	INSTRUCTIONS LABEL COMBI NL	NON UTILISEE POUR LA FRANCE ET B	BEDIENUNGSSCHILD DIAMANTE ITALIE	
82	ETICHETTA ISTRUZIONI COMBI ITA	INSTRUCTIONS LABEL COMBI ITA	ETIQUETTES INSTRUCTIONS DIAMANTE	BEDIENUNGSSCHILD DIAMANTE ITALIA	
82	ETICHETTA ISTRUZIONI DIAMANTE BL	INSTRUCTIONS LABEL DIAMANTE BLK	ETIQUETTES INSTRUCTIONS DIAMANTE	BEDIENUNGSSCHILD DIAMANTE FRA	
82	ETICHETTA ISTRUZIONI DIAMANTE BL	INSTRUCTIONS LABEL DIAMANTE BLK	ETIQUETTES INSTRUCTIONS DIAMANTE	BEDIENUNGSSCHILD DIAMANTE DE	
82	ETICHETTA ISTRUZIONI DIAMANTE BL	INSTRUCTIONS LABEL DIAMANTE BLK	ETIQUETTES INSTRUCTIONS DIAMANTE	BEDIENUNGSSCHILD DIAMANTE ENG	
82	ETICHETTA ISTRUZIONI DIAMANTE BL	INSTRUCTIONS LABEL DIAMANTE BLK	NON UTILISEE POUR LA FRANCE ET B	BEDIENUNGSSCHILD DIAMANTE ESP	
82	ETICHETTA ISTRUZIONI DIAMANTE BL	INSTRUCTIONS LABEL DIAMANTE BLK	ETIQUETTES INSTRUCTIONS DIAMANTE	BEDIENUNGSSCHILD DIAMANTE POR	
82	ETICHETTA ISTRUZIONI DIAMANTE BL	INSTRUCTIONS LABEL DIAMANTE BLK	ETIQUETTES INSTRUCTIONS DIAMANTE	BEDIENUNGSSCHILD DIAMANTE NL	
83	Foglio supp.targhette prodotti	PROD PRICES SHEET DRAWERS 6 SP.	SUPPORT ETIQUETTES PRODUITS	Vorlage für Produktschildchen	Foglio supp.targhette prodotti
84	Protezione adesiva x supp.targh.	ADHESIVE PROTECTION	PROTECTION ADHESIVE	Schutzfolie zu Beschriftungssatz	Protezione adesiva x supp.targh.
85	Foglio supp.targhette prod.zucch	ADD. SHEET SUGAR PROD. LABELS	SUPPORT ETIQUETTES SUCRE	Vorlage für Becher/Zuckerschildc	Foglio supp.targhette prod.zucch
86	Adesivi prezzi bianco euro	PRICE LABELS WHITE EURO	ETIQUETTE PRIX ADHESIVE EURO BLA	Preisauflöser weiss EUR	Adesivi prezzi bianco euro
86	Adesivi prezzi svizzera	PRICE LABELS SWITZERLAND	NON UTILISEE PAR LA FRANCE ET BE	PREISSCHILD SELBSTKLEBEND SCHWEI	Adesivi prezzi blu euro
86	Adesivi prezzi blu euro	PRICE LABELS BLUE EURO	ETIQUETTE PRIX ADHESIVE EURO BLE	Preisauflöser P8/CS/ROF EUR	Supporto display beige
87	Supporto display grey E3303	DISPLAY SUPPORT GRAY E3303	SUPPORT DISPLAY GRAY E3303	Rahmen Display silber CS	Supporto display beige
87	Supporto display beige	DISPLAY SUPPORT BEIGE	SUPPORT AFFICHEUR BEIGE	Rahmen Display beige Diamante	Supporto display beige
87	Supporto display blk	DISPLAY SUPPORT BLK	SUPPORT AFFICHEUR NOIR	Rahmen Display blk Diamante	Supporto display blk
88	Mattonella trasparente	TRANSPARENT TILE	PLAQUE TRANSPARENTE	Blende transparent zu Anweisung	Mattonella trasparente
88	Mattonella sp type seaga blk	READER TILE SP TYPE SEAGA BLK	PLAQUE SP TYPE SEAGA	READER TILE SP TYPE SEAGA BLK	Mattonella sp type seaga blk
89	Mattonella superiore standard	LOWER TILE	FACADE METAL SUP.	LOWER TILE	Mattonella superiore standard be
89	Mattonella superiore standard be	LOWER TILE	FACADE METAL SUP. BEIGE	Abdeckung beige oben standard Di	Mattonella superiore elkey blk
89	Mattonella superiore elkey blk	UPPER TILE ELKEY BLK	PLAQUE SUPERIEURE ELKEY NOIRE	UPPER TILE ELKEY BLK	
90	Mattonella lettore coinco E M125	READER TILE COINCO AND M125 BLUE	FACADE POUR LECTEUR COINCO E M12	Blende Akzeptor / Ausschnitt 108	Mattonella lettore coinco E M125
90	Mattonella lettore coinco E M125	READER TILE COINCO AND M125 BEIG	FACADE POUR LECTEUR COINCO E M12	Blende oben mit Ausschnitt akzep	Mattonella lettore coinco mag52r
90	Mattonella lettore coinco M125 blk	READER TILE COINCO AND M125 BLK	PLAQUE LECTEUR COINCO MAG52R NOI	READER TILE COINCO AND M125 BLK	Mattonella lettore coinco mag52r
91	Supporto led vano 2512AA00	LED SUPPORT 2512AA00	SUPPORT LED VANO 2512AA00	LED SUPPORT 2512AA00	Supporto led vano 2512AA00
92	Scheda led 290mm	290mm LED BOARD	PLATINE LED 290MM	-	Scheda led 290mm



N.POSI COD	I - DESCRIZIONE	UK - DESCRIPTION	F - DESCRIPTION	D - BEZEICHNUNG	E - DESCRIPCION
1	9972.057	SILICONE TUBE 5X8 L.2000MM	TUBE SILICONE MARRON L2M 5X8	Siliconschlauch 5x8, l=2mtr.,bra	TUBO SILICONE MARRON 5X8 L.2000
2	9160.039	TURBINE ASS. VDE WITH CABLES	DEBITMETRE AUTONOME	Turbine mit Sensor u. Kabel	ASS.TURBINA VDE CON CAVI
3	U109.003	SCREW TCB 3.5X9.5 DIN 7981 C NIC	VIS TCB3.5X9.5DIN7981CNIK	VIS TCB3.5X9.5 DIN 7981	VITE AUT.TCB 3.5X9.5 DIN 7981 C
4	9070.042.00A	BRASS PUMP	BRASS PUMP	BRASS PUMP	POMPA IN OTTONE
5	149185850	EATON PUMP SUPPORT 4002012 MAGIC	SUPPORT IDE POMPE	Pumpenhalterung Typ EATON sz.	SUPPPOMPA EATON MAGIC 4002012
6	NV99.004	CONNECTOR T MORONI 8026047 D=8	RACCORD EN T 8026047 D=8	T-Raccord Moroni 8026047 d=8 mm	RACCORDO A T MORONI 8026047 D=8
7	9079.A28	SAFETY VALVE/NON RETURN ASS.	VALVE ANTI RETOUR	Überdruckventil mit Rücklaufsperr	ASS.VALVOLA SICUREZZA/NON RITORN
8	9070.043.00A	ULKA PUMP+NON RETURN	ENSEMBLE POMPE + RACCORD RA	Pumpe 230V/50Hz m	ASS.POMPA NON RITORNO
9	9991.007	*NUT FOR CONNECTOR 1/8****	RACCORD 1/8 GAS	Sechskantmutter 1/8 GAS Mess. b=	*DADO X RACCORDO 1/8****
10	9991.008	EXTERNAL BUSH D.6	BAGUE D'ETANCHÉITE	Klemmhülse d=6 mm messing	BOCCOLA ESTERNA D.6
11	9991.009	INSIDE BUSH D.4	BAGUE ETANCHÉITE INTERNE	Stützhülse d=4mm Messing	BOCCOLA INTERNA D.4
12	144650300	ASPIRATION FILTER GAUZE NET 500	FILTRE D'ASPIRATION	Wasserfilter 952 D=8 nur Espresso	FILTRO IN ASPIRAZ.RETE 500 OV
13	9991.021	RUBBER 90° CONNECTOR	RACCORD CAOUTCHOU	Pumpenanschlusßwinkel 90° schwarz	RACC.90° IN GOMMA
14	U109.013	SCREW TCB 3.5X13 UNI 6954 NIK	VIS AUT.TCB 3.5X13 DIN 7981 C	Linsen-Blechschr. 3.5x13 DIN 798	VITE TCB 3.5X13 UNI 6954 NIK
15	U207.004	PLAIN WASHER 4.3X16 UNI 6592 GAL	RONDELL 4.3*16 UNI6592ZNP	Unterlagscheibe 4.3x16 UNI 5931	ROSETTA PIANA 4.3X16 UNI 6592 ZN
16	9971.015	TEFLON TUBE 4X6 L.2 MT	TUYAU TEFLON 4X6 L=2M	Teftonschlauch 4x6 Meterware	TUBO TEFLON 4X6 L.2 METRI
17	9161.262.060	DRIP CHANNEL COVER	COUV.CANAL DECOMPRESSION	Abdeckung zu Auffangtrichter, br	COPERTURA CANALINO RACCOGLIGOCCE
18	9111.597.050	COFFEE DISCHARGE CHANNEL SHORT	CANAL EAU USEES	Restwasser-sammler CS, P8	CANALINO SCARICO CAFFE' CORTO
19	9111.141	DISCHARGE TUBE CLOSURE SPRING	GOUPILLE	Klemmfeder	MOLLA CHIUSURA TUBO SCARICO
20	NV99.050	HOSECLAMP D. 13.3/14.1	ATTACHE D. 13.3/14.1	Klemmfeder d=13.3/14., 1mm	FASCETTA STRINGITUBO D. 13.3/14.
21	9972.055	SILICONE TUBE 7X11 L.2000MM	TUBE SILICONE 8X12	Siliconschlauch 8x12, l=2mtr.	TUBO SILICONE 8X12 L=2000 MM

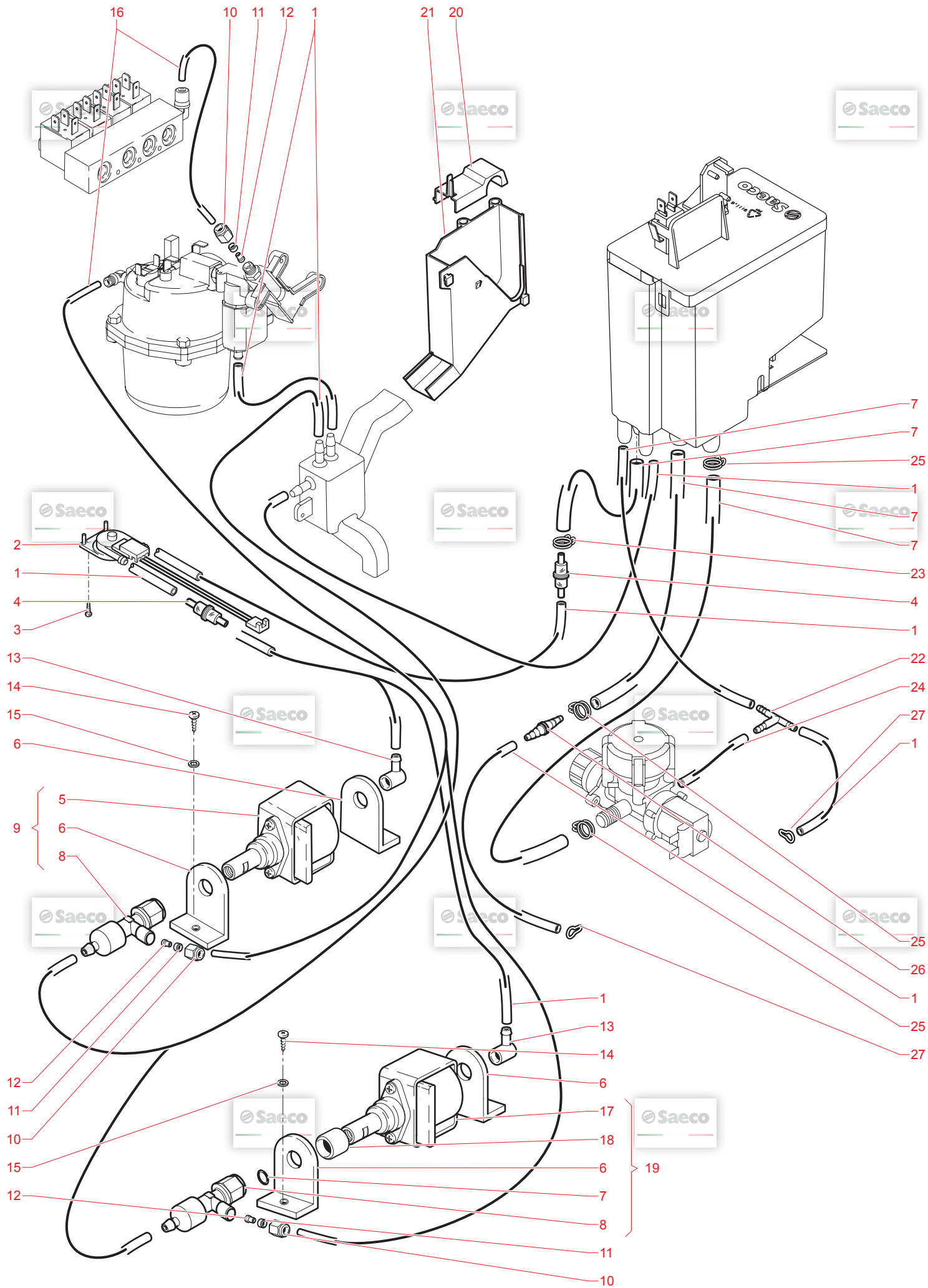
NOTE

© by Saeco, a company of Evoca Group - GAGGIO MONTANO

E008.975

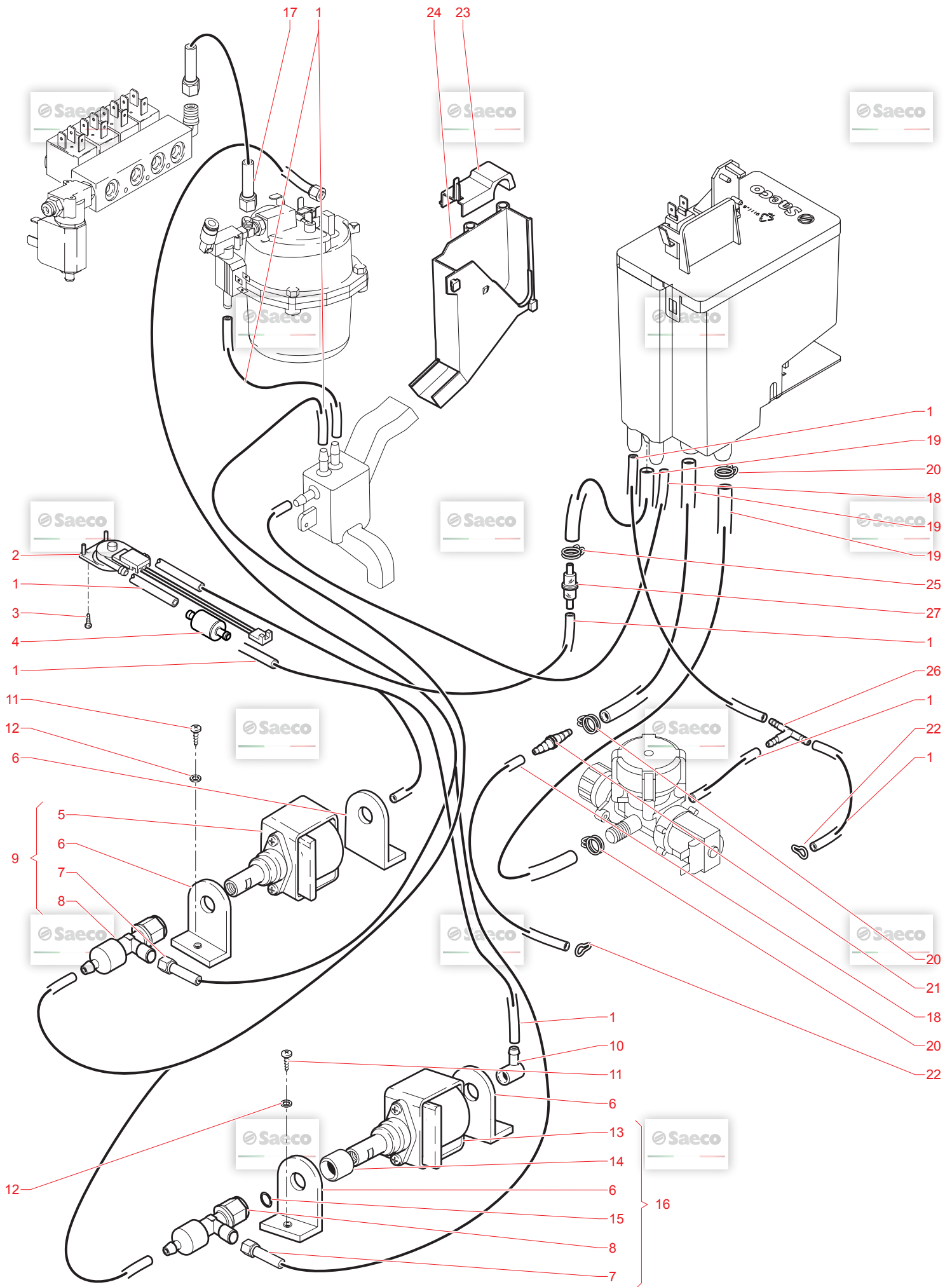
14/01/2019

Combi Snack

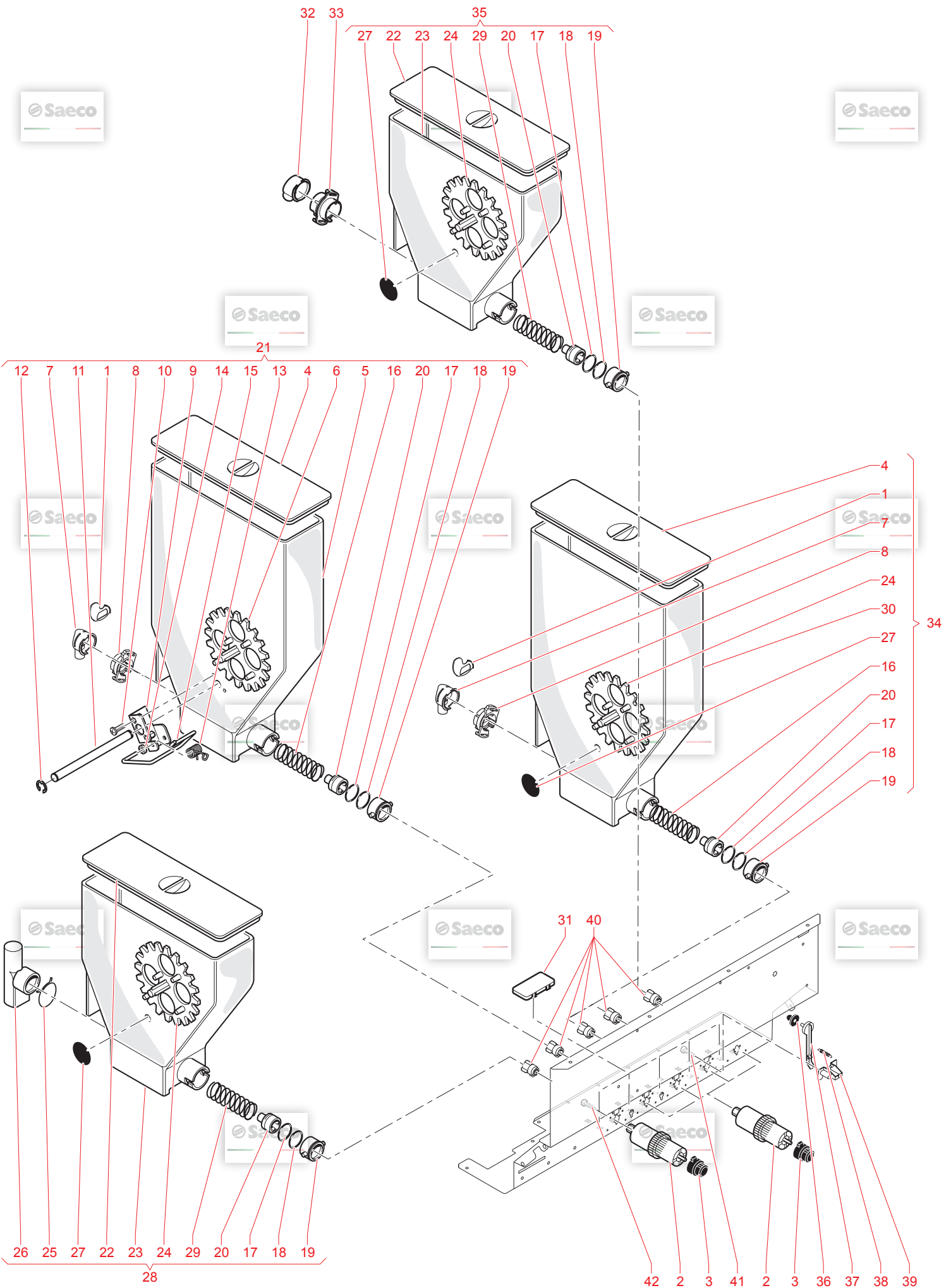


N.POSI	COD	I - DESCRIZIONE	UK - DESCRIPTION	F - DESCRIPTION	D - BEZEICHNUNG	E - DESCRIPCION
1	9972.057	TUBO SILICONE 5X8 L.2000MM	SILICONE TUBE 5X8 L.2000MM	TUBE SILICONE MARRON L2M 5X8	Siliconschlauch 5x8, l=2mtr.,bra	TUBO SILICONE MARRON 5X8 L.2000
2	9160.039	ASS.TURBINA VDE CON CAVI	TURBINE ASS.VDE WITH CABLES	DEBITMETRE AUTONOME	Turbine mit Sensor u. Kabel	ASS.TURBINA VDE CON CAVI
3	U109.003	VITE AUT.TCB 3.5X9.5 DIN 7981 C	SCREW TCB 3.5X9.5 DIN 7981 C NIC	VIS TCB3.5X9.5DIN7981CNK	Linse-Blechschr. 3.5x9.5 DIN 7981	VITE AUT.TCB 3.5X9.5 DIN 7981 C
4	144650300	FILTRO INASPIRAZ.RETE 500 OV	ASPIRATION FILTER GAUZE NET 500	FILTRE D'ASPIRATION	Wasserfilter 502 D=8 nur Espresso	FILTRO INASPIRAZ.RETE 500 OV
5	9070.042.00A	POMPA IN OTTONE	BRASS PUMP	BRASS PUMP	BRASS PUMP	POMPA IN OTTONE
5	9070.042.00N	POMPA ULKA EX5 SD1	ULKA PUMP EX5 SD1	NON UTILISEE PAR LA FRANCE ET LE	Pumpe Ulka EX5 220V / 60Hz SD1	POMPA ULKA EX5 SD1
6	149185850	SUPPPOMPA EATON MAGIC 4002012	EATON PUMP SUPPORT 4002012 MAGIC	SUPPORT DE POMPE	Pumpenhalterung Typ EATON sz.	SUPPPOMPA EATON MAGIC 4002012
7	9972.055	TUBO SILICONE 7X11 L.2000MM	SILICONE TUBE 7X11 L.2000MM	TUBE SILICONE 8X12	Siliconschlauch 8x12, l=2mtr.	TUBO SILICONE 8X12 L=2000 MM
8	11005590	ASS.VALVOLA SICUREZZ.NRITORNORN	SAFETY VALVE/NON RETURN ASS. NEW	VALVE ANTI RETOUR	Sicherheits- Rückschlagventil	ASS.VALVOLA SICUREZZ.NRITORNORN
9	9070.043.00A	ASS.POMPA NON RITORNO	ULKA PUMP+NON RETURN	ENSEMBLE POMPE + RACCORDE RA	Pumpe Ulka EX5 220V/60Hz SD1 mit	ASS.POMPA NON RITORNO
9	9070.043.00N	ASS.POMPA ULKA EX5 SD1 NON RITOR	ULKA PUMP EX5 SD1 +NON RETURN	NON UTILISEE PAR LA FRANCE ET LE	Pumpe Ulka EX5 220V/60Hz SD1 mit	ASS.POMPA ULKA EX5 SD1 NON RITOR
10	9991.007	"DADO X RACCORDO 1/8"	"NUT FOR CONNECTOR 1/8"	RACCOR 1/8 GAS	Sechskantmutter 1/8 GAS Mess. b=	"DADO X RACCORDO 1/8"
11	9991.008	BOCCOLA ESTERNA D.6	EXTERNAL BUSH D.6	BAGUE D'ETANCHEITE	Klemmhülse d=6 mm Messing	BOCCOLA ESTERNA D.6
12	9991.009	BOCCOLA INTERNA D.4	INSIDE BUSH D.4	BAGUE ETANCHEITE INTERNE	Stützülse d=4mm Messing	BOCCOLA INTERNA D.4
13	9991.021	RACC.90° IN GOMMA	RUBBER 90° CONNECTOR	RACCORDE CAOUTCHOUC	Pumpenanschlußwinkel 90° schwarz	RACC.90° IN GOMMA
14	U109.013	VITE TCB 3.5X13 UNI 6954 NIK	SCREW TCB 3.5X13 UNI 6954 NIK	VIS AUT.TCB 3.5X13 DIN 7981 C	Linse-Blechschr. 3.5x13 DIN 798	VITE TCB 3.5X13 UNI 6954 NIK
15	U207.004	ROSETTA PIANA 4.3X16 UNI 6592 ZN	PLAIN WASHER 4.3X16 UNI 6592 GAL	RONDACHE 4.3*16 UNI6592ZNP	Unterlagscheibe 4.3x16 UNI 5931	ROSETTA PIANA 4.3X16 UNI 6592 ZN
16	9971.015	TUBO TEFLON 4X6 L.2 METRI	TEFLON TUBE 4X6 L.2 MT	TUYAU TEFLON 4X6 L=2M	Teflonschlauch 4x6 Meterware	TUBO TEFLON 4X6 L.2 METRI
17	9070.044.00F	POMPA ULKA EP5 D1	ULKA PUMP EP5 D1	POMPE ULKA EP5 D1	Pumpe Ulka EP5 D1	POMPA ULKA EP5 D1
18	9071.098	RINFORZO X POMPA ULKA	REINFORCEMENT FOR ULKA PUMP	EMBOUT DE POMPE ULKA	Verstärkung zu Ulka-Pumpe	RINFORZO X POMPA ULKA
19	9070.045.00F	ASS.POMPA ULKA EP5 D1 120V	ULKA PUMP ASS.EP5 D1 120V	NON UTILISEE PAR LA FRANCE ET LE	PUMPE ULKA KOMPLETT 120 V	ASS.POMPA ULKA EP5 D1 120V
20	9161.262.060	COPERTURA CANALINO RACCOGLIGOCCE	DRIP CHANNEL COVER	COUV.CANAL DECOMPRESSION	Abdeckung zu Auffangtrichter, br	COPERTURA CANALINO RACCOGLIGOCCE
21	9111.597.050	CANALINO SCARICO CAFFE' CORTO	COFFEE DISCHARGE CHANNEL SHORT	CANAL EAU USEES	Restwassersammler CS, P8	CANALINO SCARICO CAFFE' CORTO
22	NV99.004	RACCORDO AT MORONI 8026047 D=8	CONNECTOR T.MORONI 8026047 D=8	RACCORDE EN T 8026047 D=8	T-Raccordo Moroni 8026047 d=8 mm	RACCORDO AT MORONI 8026047 D=8
23	NV99.072	FASCETTA STRINGITUBO D. 11.6/12.	HOSE CLAMP D. 11.6/12.3	ATTACHE D. 11.6/12.3	Schlauchklemme D=11.6-12.3	FASCETTA STRINGITUBO D. 11.6/12.
24	9972.246	TUBO SILICONE 5X10 L.2000MM	SILICONE TUBE 5X10 L.2000MM	TUBE SILICONE 5X10 L=2000 MM	Siliconschlauch 5X10 L=2000 mm	TUBO SILICONE 5X10 L=2000 MM
25	NV99.050	FASCETTA STRINGITUBO D. 13.3/14.	HOSECLAMP D. 13.3/14.1	ATTACHE D. 13.3/14.1	Klemmfeder d=13.3/14, 1mm	FASCETTA STRINGITUBO D. 13.3/14.
26	NV99.095	RACCORDO BICONO	BICONE CONNECTOR	RACCORDE POUR TUBE	Verbindungsstück CS Instant N	RACCORDO BICONO
27	9111.141	MOLLA CHIUSURA TUBO SCARICO	DISCHARGE TUBE CLOSURE SPRING	GOUPILLE	Klemmfeder	MOLLA CHIUSURA TUBO SCARICO



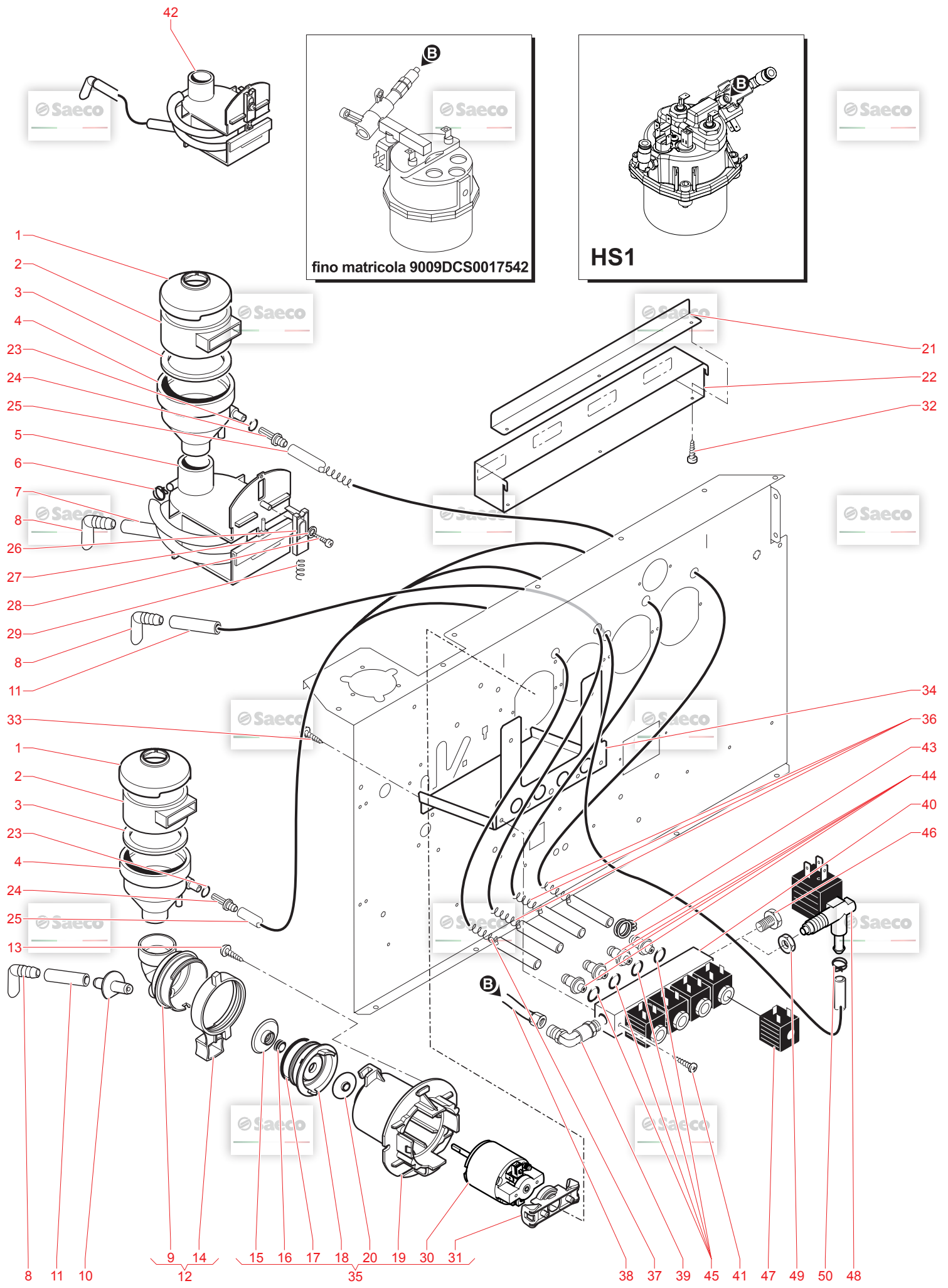


N.POSI	COD	I - DESCRIZIONE	UK - DESCRIPTION	F - DESCRIPTION	D - BEZEICHNUNG	E - DESCRIPCION
1	9972.246	TUBO SILICONE 5X10 L.2000MM	SILICONE TUBE 5X10 L.2000MM	TUBE SILICONE 5X10 L=2000 MM	Siliconschlauch 5X10 L=2000 mm	TUBO SILICONE 5X10 L=2000 MM
2	9160.039	TURBINE ASS. VDE WITH CABLES	TURBINE ASS. VDE WITH CABLES	DEBITMETRE AUTONOME	Turbine mit Sensor u. Kabel	ASS. TURBINA VDE CON CAVI
3	U109.003	VITE AUT.TCB 3.5X9.5 DIN 7981 C	SCREW TCB 3.5X9.5 DIN 7981 C	VIS TCB3.5X9.5DIN7981CNKIK	Linse-Blechschr. 3.5x9.5 DIN 7981	VITE AUT.TCB 3.5X9.5 DIN 7981 C
4	11024178	ASS.POLIMONE ACQUA PIEDRA	WATER FILTER PIEDRA	FILTRE A EAU PIEDRA	Wasserfilter	ASS. FILTRO ACQUA PIEDRA
5	9070.042.00A	POMPA IN OTTONE	BRASS PUMP	BRASS PUMP	BRASS PUMP	POMPA IN OTTONE
6	9070.042.00N	POMPA ULKA EX5 SD1	ULKA PUMP EX5 SD1	NON UTILISEE PAR LA FRANCE ET LE	Pumpe Ulka EX5 220V / 60Hz SD1	POMPA ULKA EX5 SD1
7	149185850	SUPPPOMPA EATON MAGIC 4002012	EATON PUMP SUPPORT 4002012 MAGIC	SUPPORT DE POMPE	Pumpenhalterung Typ EATON sz.	SUPPPOMPA EATON MAGIC 4002012
8	11025297	"ASS. TUBO TEFLON 3X6 L.310 1/8"-1"	"TEFLON TUBE 3X6 L.310 1/8"-1/8"	"ASS. TUBO TEFLON 3X6 L.310 1/8"-1"	Teflonschlauch 3x6 l=310mm / 1/8"	"ASS. TUBO TEFLON 3X6 L.310 1/8"-1"
9	11005590	ASS.VALVOLA SICUREZZ.NRITORNORN	SAFETY VALVE/NON RETURN ASS. NEW	VALVE ANTI RETOUR	Sicherheits- Rückschlagventill	ASS. VALVOLA SICUREZZ.NRITORNORN
10	9070.043.00A	ASS.POMPA NON RITORNO	ULKA PUMP+NON RETURN	ENSEMBLE POMPE + RACCORD RA	Pumpe Ulka EX5 220V/60Hz m it	ASS. POMPA NON RITORNO
11	9070.043.00N	ASS.POMPA ULKA EX5 SD1 NON RITOR	ULKA PUMP EX5 SD1 +NON RETURN	NON UTILISE PAR LA FRANCE ET LE	Pumpe Ulka EX5 220V/60Hz SD1 mit	ASS. POMPA ULKA EX5 SD1 NON RITOR
12	147920150	RAC.INGRESSO A 90° POMPA NEU.	90° INLET PUMP CONNECTOR	RACCORD 90° CAOUTCHOU	Pumpeneinlasswinkel 90° weiß. Ku	RAC.INGRESSO A 90° POMPA NEU.
13	U109.013	VITE TCB 3.5X13 UNI 6954 NIK	SCREW TCB 3.5X13 UNI 6954 NIK	VIS AUT.TCB 3.5X13 DIN 7981 C	Linse-Blechschr. 3.5x13 DIN 798	VITE TCB 3.5X13 UNI 6954 NIK
14	U207.004	ROSETTA PIANA 4.3X16 UNI 6592 ZN	PLAIN WASHER 4.3X16 UNI 6592 GAL	RONDELL 4.3*16 UN16592ZNP	Unterlegscheibe 4.3x16 UNI 5931	ROSETTA PIANA 4.3X16 UNI 6592 ZN
15	9070.044.00F	POMPA ULKA EP5 D1 120V-60HZ	ULKA PUMP EP5 D1	POMPE ULKA EP5 D1	Pumpe Ulka EP5 D1	POMPA ULKA EP5 D1
16	9071.098	RINFORZO X POMPA ULKA	REINFORCEMENT FOR ULKA PUMP	EMBOUIT DE POMPE ULKA	Verstärkung zu Ulka-Pumpe	RINFORZO X POMPA ULKA
17	140321961	OR 2031 TERMOIL	O-RING 2031 TERMOIL	JOINT 2031	O-Ring 2031 EPDM	OR 2031 TERMOIL
18	9070.045.00F	ASS.POMPA ULKA EP5 D1 120V	ULKA PUMP ASS. EP5 D1 120V	NON UTILISEE PAR LA FRANCE ET LE	PUMPE ULKA KOMPLETT 120 V	"ASS. TUBO TEFLON 3X6 L.250 1/8"-1"
19	9972.057	TUBO SILICONE 5X8 L.2000MM	SILICONE TUBE 5X8 L.2000MM	TUBE SILICONE MARRON L2M 5X8	Siliconschlauch 5x8 l=2mtr. bra	TUBO SILICONE MARRON 5X8 L.2000
20	9972.055	TUBO SILICONE 7X11 L.2000MM	SILICONE TUBE 7X11 L.2000MM	TUBE SILICONE 8X12	Siliconschlauch 8x12 l=2mtr.	TUBO SILICONE 8X12 L=2000 MM
21	NV99.050	FASCETTA STRINGITUBO D. 13.3/14.	HOSECLAMP D. 13.3/14.1	ATTACHE D. 13.3/14.1	Klemmfeder d=13.3/14.1mm	FASCETTA STRINGITUBO D. 13.3/14.
22	NV99.095	RACCORDO BICONO	BICONE CONNECTOR	RACCORD POUR TUBE	Verbindungsstück CS Instant N	RACCORDO BICONO
23	9111.141	MOLLA CHIUSURA TUBO SCARICO	DISCHARGE TUBE CLOSURE SPRING	GOUPILLE	Klemmfeder	MOLLA CHIUSURA TUBO SCARICO
24	9111.262.060	COPERTURA CANALINO RACCOGLIGOCCE	DRIP CHANNEL COVER	COUV.CANAL DECOMPRESSION	Abdeckung zu Auffangtrichter, br	COPERTURA CANALINO RACCOGLIGOCCE
25	9111.597.050	CANALINO SCARICO CAFFE' CORTO	COFFEE DISCHARGE CHANNEL SHORT	CANAL EAU USEES	Restwassersammler CS, P8	CANALINO SCARICO CAFFE' CORTO
26	NV99.072	FASCETTA STRINGITUBO D. 11.6/12.	HOSE CLAMP D. 11.6/12.3	ATTACHE D. 11.6/12.3	Schlauchklemme D=11.6-12.3	FASCETTA STRINGITUBO D. 11.6/12.
27	NV99.004	RACCORDO A T MORONI 8026047 D=8	CONNECTOR T MORONI 8026047 D=8	RACCORD EN T 8026047 D=8	T-Racord Moroni 8026047 d=8 mm	RACCORDO A T MORONI 8026047 D=8
28	144650300	FILTRO IN ASPIRAZ.RETE 500 OV	ASPIRATION FILTER GAUZE NET 500	FILTRE D'ASPIRATION	Wasserfilter 952 D=8 nur Espresso	FILTRO IN ASPIRAZ.RETE 500 OV



N.POSI	COD	I - DESCRIZIONE	UK - DESCRIPTION	F - DESCRIPTION	D - BEZEICHNUNG	E - DESCRIPCION
1	9111.338.270	PARATIA CHIUSURA BOCCHETTA ARANC	BULHEAD FOR APERT. CLOSURE ORAN	VOLET FERMETURE ORANGE	Verschluß zu Stützen, orange	PARATIA CHIUSURA BOCCHETTA ARANC
2	9121.106.00P	MOTORIDUTTORE ZUCCHERO 24V D.C.	SUGAR RATIONMOTOR 24V DC	MOTEUR SUCRE DA10P 24V DC	Motor Zuckerförderung 24V Gleich	MOTORIDUTTORE ZUCCHERO 24V D.C.
3	9121.155	CUFFIA X MOTORIDUTTORE	HOOD FOR RATIONMOTOR	CAPOTEUR POUR MOTOREDUCTEUR	Abdeckung Getriebemotor	CUFFIA X MOTORIDUTTORE
4	9111.097.060	COPERCHIO X CONTENITORE SOLUBILI	LID FOR SOLUBLES CONT.	COUVERCLE POUR BACS A SOLUBLES	Produktbehälterdeckel	COPERCHIO X CONTENITORE SOLUBILI
5	9111.489.100	CONTENITORE SOL.C/AGITAT.8P-COMB	SOL. CONTAINER W/MIXER 8P-COMBI	BAC SOLUBLE AVEC AGITATEUR 8P /	Produktbehälter 8P-Combi	CONTENITORE SOL.C/AGITAT.8P-COMB
6	9111.629.060	RUOTA X POLVERI CON AGITATORE	WHEEL FOR POWDERS WITH AGITATOR	EMBOUIT POUIDRE	Mischrad Produktbehälter	RUOTA X POLVERI CON AGITATORE
7	9111.630.060	BOCCHETTA X TRAMOGGIA X AGGANCI	Aperture for solubles hopper	BAGUE EMBOUIT POUIDRE	Stutzen braun für Pulverfrichter	BOCCHETTA X TRAMOGGIA X AGGANCI
8	9111.630.060	BOCCOLA X SERBAT.POLVERI C/AGGAN	BUSH FOR POWDERS TANK	SUPPORT LEVIER AGITATEUR	Hülse für Produktbehälter	BOCCOLA X SERBAT.POLVERI C/AGGAN
9	9111.471	SQUADRETTA SUPPORTO LEVA	LEVER SUPPORT BRACKET	VIS TCBD M4X12 ZN-B	Befestigungswinkel zu Hebel	SQUADRETTA SUPPORTO LEVA
10	12002039	VITE TCBD M4X12 ZN-B	SCREW TCBD TORX 20 M4X12 ZN-B	VIS TCBD M4X12 ZN-B	Schraube 3,5x48x28 TORX	VITE TCBD M4X12 ZN-B
11	9111.470	PERNO DI ROTAZIONE	ROTATING PIN	AXE DE ROTATION	Antriebswelle	PERNO DI ROTAZIONE
12	U7011.470	ANELLO ELASTICO 4 UNI 7434	SNAP RING 4 UNI 7434	RONDELLE 4UNI 7434	Sicherungsring ø4 elastisch	ANELLO ELASTICO 4 UNI 7434
13	9111.472	MOLLA DI CONTRASTO	CONTRAST SPRING	RESSORT	Feder zu Mischernebel	MOLLA DI CONTRASTO
14	9111.469	DISTANZIALE LEVA DI AGITAMENTO	SPACER FOR AGITATING LEVER	ENTRETOISE POUR LEVIER AGITATEUR	Abstandshalter zu Mischernebel	DISTANZIALE LEVA DI AGITAMENTO
15	9111.468	LEVA DI AGITAMENTO	AGITATING LEVER	LEVIER AGITATEUR	Mischernebel	LEVA DI AGITAMENTO
16	9111.464	MOLLA X BOCCOLA IN PLASTICA	SPRING FOR BUSH IN PLASTIC	RESSORT BAGUE PLASTIQUE	Produktausgabefeder P500/700N, C	MOLLA X BOCCOLA IN PLASTICA
17	NM03.013	OR 2.3X15 NBR	OR 2.3X15 NBR	JOINT T2.3 D 15 NBR	O-Ring Verschluß 2,3x15 P7 NBR	OR 2.3X15 NBR
18	140328461	OR ORM 0190-10 EPDM	OR ORM 0190-10 EPDM	JOINT OR 0190-10 EPDM	O-Ring 0190-10 EPDM	OR ORM 0190-10 EPDM
19	11005456	BOCCOLA POSTERIORE NEW	REAR BUSH NEW	EMBOUIT ARRIERE	Haltehülse Produktkühse	BOCCOLA POSTERIORE NEW
20	9111.017.060	GIUNTO X MOLLA MARRON	COUPLING FOR SPRING BROWN	ENTRAIN. VIS DE DISTRIBUT	Verbindungsstück Feder, braun	GIUNTO X MOLLA MARRON
21	9110.060.060	ASS.CONTENTIT. SOLUB.8P C/AGITATO	SOLUBLES CONT.ASS. 8P WITH AGITA	BAC SOLUBLE AVEC AGITATEUR	Pulverbehälter kpl. CS, P8	ASS.CONTENTIT. SOLUB.8P C/AGITATO
22	9111.013.060	COPERCHIO X POLVERI MARRON	LID FOR POWDERS BROWN	COUV.BAC A POUIDRE	Produktbehälterdeckel	COPERCHIO X POLVERI MARRON
23	9111.012.100	SERBATOIO X POLVERI	TANK FOR POWDERS	BAC POUIDRE SEUL	Produktbehälter	SERBATOIO X POLVERI
24	11032877	RUOTA X POLVERI FRESATA BPA FREE	WHEEL FOR POWDERS BPA FREE	ROUE DENTEE BAC A POUIDRE	Pulverrad P97 BPA FREE	RUOTA X POLVERI FRESATA BPA FREE
25	9111.177	MOLLA X BOCCOLA ANTERIORE A 90°	SPRING FOR FRONT BUSH 90°	RESSORT EMBOUT LYO	Federbügel zu Pulverauslauf 90°	MOLLA X BOCCOLA ANTERIORE A 90°
26	9111.171	BOCCOLA ANTERIORE A 90°	FRONT BUSH 90°	EMBOUIT CAFE LYO	Pulverauslauf 90°	BOCCOLA ANTERIORE A 90°
27	9111.646	ADESIVO X SERBATOIO	ADHESIVE FOR TANK	ADHESIF POUR BAC	Aufkleber zu Produktbehälter	ADESIVO X SERBATOIO
28	9110.017.060	ASS.SERBATOIO DECAFFEINATO	DECAFFEINATED TANK ASSY.	BAC POUIDRE COMPLET DECA	Produktbehälter KLEIN KOMPLETT M	ASS.SERBATOIO DECAFFEINATO
29	9111.019	MOLLA X POLVERI	SPRING FOR POWDERS	VIS DE DISTRIBUTION	Produktausgabefeder P500/700N	MOLLA X POLVERI
30	9111.296.100	SERBATOIO X POLVERI ALTO 8P-COMB	TANK FOR POWDERS HIGH 8P-COMBI	BAC POUIDRE HAUT 8P / COMBI	SERBATOIO X POLVERI ALTO 8P-COMB	SERBATOIO X POLVERI ALTO 8P-COMB
31	9111.522.060	GUIDA SCATOLA PRODOTTI	GUIDE PRODUCTS BOX	GUIDE BOITE PRODUIT	Führungsplatte für Produktbehält	GUIDA SCATOLA PRODOTTI
32	9111.636.060	BOCCHETTA X TRAMOGGIA ZUCCHERO	Aperture for sugar hopper	EMBOUIT SUCRE	Trichterfassung Zucker	BOCCHETTA X TRAMOGGIA ZUCCHERO
33	9111.628.060	BOCCOLA CON PARATIA E AGGANCI	BUSH	SUPPORT EMBOUT POUIDRE	Hülse mit Verschluß braun	BOCCOLA CON PARATIA E AGGANCI
34	9110.051.060	ASS.CONTENTIT.POLVERI 8P BOCCOLA N.V.	POWDER CONT.ASS. 8P BUSH N.V.	BAC POUIDRE COMPLET 8P NEW	Pulverbehälter kpl. Combi Snack	ASS.CONTENTIT.POLVERI 8P BOCCOLA N.V.
35	9110.032.060	ASS.CONTENTITORE ZUCCHERO 8P	SUGAR CONT.ASS.8P	BAC SUCRE D'8P	Zuckerbehälter kpl. P8 / Combis	ASS.CONTENTITORE ZUCCHERO 8P
36	9111.133	GOMMINO X MARTELLETTO	RUBBER FOR BREAKER ARM	GOMME MARTEAU	Gummiüberzug Vibrationswinkel	GOMMINO X MARTELLETTO
37	9111.132.050	MARTELLETTO X SOLUBILI NERO	BREAKER ARM FOR SOLUBLES BLACK	MARTEAU SOLUBLE	Vibrationswinkel	MARTELLETTO X SOLUBILI NERO
38	9111.134	MOLLA X MARTELLETTO	SPRING FOR BREAKER ARM	RESSORT CAME	Zugfeder Vibrationswinkel	MOLLA X MARTELLETTO
39	0801.086.050	SUPPORTO MARTELLETTO NERO	BREAKER ARM SUPPORT BLACK	SUPPORT NOIR	Halterung Rüttlernebel schwarz	SUPPORTO MARTELLETTO NERO
40	9111.131	GIUNTO X MOTORE SOLUBILI	COUPLING FOR SOLUBLES MOTOR	ENGRENAGE BAC SAECO DA10P	Verbindung	GIUNTO X MOTORE SOLUBILI
41	129512903	VITE TCB PH-AB 2.9X13 UNI 6954 N	SCREW TCB PH-AB 2.9X13 UNI 6954	VIS TCB	SCHRAUBE M 2.9X13 UNI 6954 NIK	VITE TCB PH-AB 2.9X13 UNI 6954 N
42	U116.005	VITE AUT.PT.TCB 3.0X8 WN 1441 ZN	screw AUT.PT.TCB 3.0X8 WN 1441	VIS DE FIXATION	Schraube 30 x 8	VITE AUT.PT.TCB 3.0X8 WN 1441 ZN





N.POSI	COD	I - DESCRIZIONE	UK - DESCRIPTION	F - DESCRIPTION	D - BEZEICHNUNG	E - DESCRIPCION
1	9111.620.060	COPERCHIO X IMBUTO DI MISCELAZIO	LID FOR FUNNEL MIXER	COUVERCLE BOL MIXEUR	Deckel zu Mischtrichter	COPERCHIO X IMBUTO DI MISCELAZIO
2	9111.010.060	COPERCHIO X IMBUTO MARRON	LID FOR FUNNEL BROWN	BOL. PROD.LYOHPLISSE SEC	Trichterabdeckung braun	COPERCHIO X IMBUTO MARRON
3	9111.011.060	GUARNIZIONE X IMBUTO MARRON	SEAL FOR FUNNEL BROWN	RONDELLE DE BOL	Dichtung Trichter P7/P10	GUARNIZIONE X IMBUTO MARRON
4	9111.009.060	IMBUTO X POLVERI MARRON	FUNNEL FOR POWDERS BROWN	BOL. PROD.LYOPH HUMIDE	Trichter Pulver P7/P10	IMBUTO X POLVERI MARRON
5	9111.043.060	MISCELATORE THE X TUBO 11 MM	HOSE CLAMP D. 11.6/12.3	PIECE SUPPORT MIXER	Mixer für Tee CS Instant N	MISCELATORE THE X TUBO 11 MM
6	NV99.072	FASCETTA STRINGITUBO D. 11.6/12.	SILICONE TUBE 7X11 L.2000MM	ATTACHE D. 11.6/12.3	Schlauchklemme D=11.6-12.3	FASCETTA STRINGITUBO D. 11.6/12.
7	9111.349	TUBO SILICONE 7X11 L.2000MM	ELBOW DISPENSING NOZZLE	TUBE SILICONE 8X12 L=2000	Produktionslauch 8x12, l=2mtr.	TUBO SILICONE 8X12 L=2000 MM
8	9111.227.060	CORPO MIXER	MIXER CASING	BOUSE SORTIE COUDE	Mixergehäuse P500 / CombiSnack	UGELLO EROGAZIONE GOMITO
9	9111.232.060	MANICOTTO PORTATUBO STANDARD	STD TUBE HOLDER SLEEVE	CORPS MIXEUR 5P LYO	Anschlußmuffe Mischbehält. stand.	CORPO MIXER
10	9111.233.060	MANICOTTO PORTATUBO DECAFFEINATO	DECAFF TUBE HOLDER SLEEVE	RACCORD TUBE	Anschlußstück	MANICOTTO PORTATUBO STANDARD
11	9972.057	TUBO SILICONE 5X8 L.2000MM	SILICONE TUBE 5X8 L.2000MM	EMBOUIT TUBE	Siliconschlauch 5x8, l=2mtr. bra	TUBO SILICONE MARRON 5X8 L.2000
12	9110.027.060	ASS.CORPO MIX	MIX CASING ASS.	KIT MIXEUR COMBI	Mischerbehälter kpl. inst.-Kaff	ASS.CORPO MIX
13	U109.011	VITE AUT.TCB 3.5X9.5 DIN 7981 C	screw AUT.TCB 3.5X9.5 DIN 7981 C	VIS TCB3.5X9.5DIN7981CNIK	Blechschaube 3.5x9.5	VITE AUT.TCB 3.5X9.5 DIN 7981 C
14	9111.230.270	GHIERA BLOCCAGGIO MIXER ARANCIO	MIXER LOCKING RING NUT ORANGE RA	BAGUE DE BLOCCAGE MIXEUR	Verschlussring Mischbeh. Inst.-Kaf	GHIERA BLOCCAGGIO MIXER ARANCIO
15	9111.772.060	VENTOLINA A DISCO MIXER '05	DISK FAN	DISQUE INTERMEDIAIRE	Mixerflügel	VENTOLINA A DISCO MIXER '05
16	NM05.012	OR RING MIXER '05	V-RING MIXER '05	JOINT MIXEUR '05	V- Ring Mixer '05	V-RING MIXER '05
17	9111.770.060	OR ORM 0320-25 NBR	OR ORM 0320-25 NBR	JOINT 0320-25 NBR	O-Ring 0320-25 P7 NBR	OR ORM 0320-25 NBR
18	9111.770.060	COPERTURA FLANGIA MIXER '05	COVER MIXER FLANGE	COLLERETTE COUVERCLE MIXER	Abdeckung Flansch zu Mischermoto	COPERTURA FLANGIA MIXER '05
19	9111.769.150	FLANGIA MIXER '05	MIXER FLANGE	CORPS DE MIXER '05	Flansch zu Mischermotor	FLANGIA MIXER '05
20	9111.773.060	ANELLO PROTEZIONE MOTORE MIXER	MOTOR PROTECTION RING	ANNEAU DE PROTECTION MOTEUR MIXE	Distanzbuchse	ANELLO PROTEZIONE MOTORE MIXER
21	0875.284	DEFLETTORE ARIA	DEFLECTOR AIR	CACHE CARTER ASPIRATION	Abdeckung zu Luftabzug	DEFLETTORE ARIA
22	0875.005	CARTER ASPIRAZIONE X MIXER	ASPIRATION CASING FOR MIXER	CARTER ASPIRATION	Luftabzug zu Mixer	CARTER ASPIRAZIONE X MIXER
23	140321462	OR 2018 SILICONE	O-RING 2018 SILICONE	JOINT 2018	O-Ring 2018 Silikon	OR 2018 SILICONE
24	11009580	RACCORDO X IMBUTO NERO	CONNECTOR FOR FUNNEL BLACK	RACCORD PLASTIQUE	CONNECTOR FOR FUNNEL BLACK	TUBO SILICONE 5X10 L=2000 MM
25	9972.246	TUBO SILICONE 5X10 L.2000MM	SILICONE TUBE 5X10 L.2000MM	TUBE SILICONE 5X10 L=2000 MM	Siliconschlauch 5X10 L=2000 mm	CURSORE X FISSAGGIO MIX A SPIRAL
26	9111.209.060	CURSORE X FISSAGGIO MIX A SPIRAL	CURSOR FOR SPIRAL MIXER FIXING	CURSOUR X FISSAGGIO MIX A SPIRALE	Verschluß Gehäuse Teemischer P50	ROSETTA PIANA 4.3X16 UNI 6592 ZN
27	U207.004	ROSETTA PIANA 4.3X16 UNI 6592 ZN	PLAIN WASHER 4.3X16 UNI 6592 GAL	RONDELL 4.3*16 UNI6592ZNP	Unterlegscheibe 4.3x16 UNI 5931	VITE AUT.PT TCB 3.0X8 WN 1441 ZN
28	U116.005	VITE AUT.PT TCB 3.0X8 WN 1441 ZN	screw AUT.PT TCB 3.0X8 WN 1441	VIS DE FIXATION	Schraube 3.0x8	VITE AUT.PT TCB 3.0X8 WN 1441 ZN
29	9111.211	MOLLA X CURSORE MISCELATORE	SPRING FOR MIXER CURSOR	RESSORT DE CURSEUR	Feder für Schieber	MOLLA X CURSORE MISCELATORE
30	9121.248.00P	MOTORE MIXER '05 24V DC - M.B.T.	MIXER MOTOR '05 24V DC	MOTEUR MIXEUR '05 24V DC	Mixermotor 24V DC Diamante	MOTORE MIXER '05 24V DC - M.B.T.
31	9111.771.270	AGG.MOTORE ARANCIO RAL2004 MIXER	MOTOR COUPLING ORANGE RAL	AGG.MOTORE ARANCIO RAL2004 MIXER	Motoraufhängung	AGG.MOTORE ARANCIO RAL2004 MIXER
32	U110.004	VITE AUT.TCB 3.5X6.5 DIN 7981 F	screw AUT.TCB 3.5X6.5 DIN 7981 F	VIS AUT.TCB 3.5X6.5 DIN 7981 F	Schraube 3.5x6.5 DIN7981F	VITE AUT.TCB 3.5X6.5 DIN 7981 F
33	U110.003	VITE AUT.TCB 3.5X9.5 DIN 7981 F	screw AUT.TCB 3.5X9.5 DIN 7981 F	VIS AUT.TCB 3.5X9.5 DIN 7981 F N	Linsen-Blechschr. 3.5x9.5 DIN 79	VITE AUT.TCB 3.5X9.5 DIN 7981 F
34	0862.010	SUPPORTO ELETTROVALVOLE	SOLENOID VALVE SUPPORT	SUPPORT ELECTROVANES	Aufnahmewinkel Ventiblock	SUPPORTO ELETTROVALVOLE
35	9110.160.06P	ASS.MIXER '05 24V DC	ASS.MIXER '05 24V DC	MIXEUR COMPLET 24V DC	Mixermotor kpl. 24V	ASS.MIXER '05 24V DC
36	0701.081	MOLLA X TUBO PRODOTTO 1	SPRING FOR TUBE PRODUCT 1	RESSORT POUR TUBE PRODUIT 1	Feder IN SCHLAUCH	MOLLA X TUBO PRODOTTO 1
37	0701.083	MOLLA X TUBO PRODOTTO 3	SPRING FOR TUBE PRODUCT 3	RESSORT POUR TUBE PRODUIT 3	Feder Siliconschlauch Produkt 3	MOLLA X TUBO PRODOTTO 3
38	11025296	"ASS.TUBO TEFLON 3X6 L.250 1/8"-1"	"TEFLON TUBE 3X6 L.250 1/8"-1"	"ENS.TUBE TEFLON 3X6 L.250 1/8"-1"	"TEFLON TUBE 3X6 L.250 1/8"-1/8"	"ASS.TUBO TEFLON 3X6 L.250 1/8"-1"
39	9971.015	TUBO TEFLON 4X6 L.2 METRI	TEFLON TUBE 4X6 L.2 MT	TUYAU TEFLON 4X6 L=2M	Teflonschlauch 4x6 Meterware	TUBO TEFLON 4X6 L.2 METRI
40	11025082	"RACCORDO ORIENTADADO/OGV 1/8" G M"	"1/8" G M/CONICAL ORIENT. NUT/OGV"	"RACCORD ORIENT 1/8" G M/CONIQUE"	Raccord 1/8 eine Seite schraubba	"RACCORDO ORIENTADADO/OGV 1/8" G M"
41	11011470	BLOCCHEITTO 4 ELETTROVALVOLE DC O	BLOCK 4 ELECTROVALVE DC OLAB TEA	BLOC 4 ELECTROVANES DC OLAB TEA	4-Elektroventilsatz DC OLAB TEA	BLOCCHEITTO 4 ELETTROVALVOLE DC O
42	129516803	VITE TCB 3.5X19 DIN 7981 NIK	SCREW TCB3.5X19 DIN 7981 NICK	VIS 3.5*19 DIN 7981	Linsen-Blechs. 3.5x19 DIN 7981 N	VITE TCB 3.5X19 DIN 7981 NIK
43	0875.A55	ASS. MIXER A SPIRALI N.V.	ASS.MIXER N.V.	ENS MIXER THE	Spiral-Mischer kpl. für Tee	ASS. MIXER A SPIRALI N.V.
44	NV99.077	FASCETTA STRINGIT.D=9/8/10.6 107	TUBE-TIGHTENING CLAMP D=9/8/10.6	ATTACHE D=9/8/10.6 10799.41.00	Schlauchbander ø9,8/10,6	FASCETTA STRINGIT.D=9/8/10.6 107
45	11011453	RACCORDO PORTAGOMMA TEA	RUBBER HOLDER CONNECTOR TEA	RACCORD TEA	Verschraubung mit Schlauchanschl	RACCORDO PORTAGOMMA TEA
46	9991.130	RACCORDO PORTATUBO IN ACCIAIO IN	TUBEHOLDER CONNECTOR IN SS	RACCORD INOX	RACCORD SCHLAUCHFUHRUNG INOX	RACCORDO PORTATUBO IN ACCIAIO IN
47	NM01.004	OR 2025 SILICONE	OR 2025 SILICONE	JOINT 2025	O-Ring 2025 Silicon	OR 2025 SILICONE
48	12001169	TAPPO OTTONE 1/8 GAS CONICO TEA	BRASS CAP 1/8 GAS CONICAL TEA	BOUH.LAITON 1/8 GAS CONIQ TEA	Sechskantschraube 1/8", Messing	RIC. BOBINA EVT HS1 11023762
49	20005373	RIC. BOBINA EVT HS1 11023762	SOLENOID X HS1 11023762	BOBINE ELECTROVANN.HS1 11023762	Spule HS1 11023762	ELETTROVALVOLA OLAB 2 VIE DC TEA
50	11027285	ELETTROVALVOLA OLAB 2 VIE DC TEA	OLAB SOLENOID VALVE 2 WAY DC TEA	ELECTROVANNE 2 V 24V DC TEA	2-Wege El.-Magnetventil Olab P8	DADO 1/8 H.4.5
51	9991.035	DADO 1/8 H.4.5	NUT 1/8 H.4.5	ECROU 1/8 H.4.5	"Sechskantmutter 1/8" GAS l=4,5mm"	DADO 1/8 H.4.5
52	NV99.036	FASCETTA STRINGIT. D=8.5 09993.4	HOSECLAMP D=8.5 09993.41.00	ATTACHES 09993.41.00	Klemmfeder d=8.5mm	FASCETTA STRINGIT. D=8.5 09993.4



NOTE

solo decaffeinato



da matr. 9009DCS0017543
fino mat. 9009DCS0017542

solo UL



Combi Snack

14/01/2019

12

E008.975

GAGGIO MONTANO

© by Saeco, a company of Evoca Group

N.POSI	COD	I - DESCRIZIONE	UK - DESCRIPTION	F - DESCRIPTION	D - BEZEICHNUNG	E - DESCRIPCION
1	9971.015	TUBO TEFLON 4X6 L.2 METRI	TEFLON TUBE 4X6 L.2 MT	TUYAU TEFLON 4X6 L=2M	Teflonschlauch 4x6 Meterware	TUBO TEFLON 4X6 L.2 METRI
2	9991.007	"DADO X RACCORDO 1/8"	"NUT FOR CONNECTOR 1/8"	RACCORDO 1/8 GAS	Sechskantmutter 1/8 GAS Mess. b=	"DADO X RACCORDO 1/8"
3	9991.008	BOCCOLA ESTERNA D.6	EXTERNAL BUSH D.6	BAGUE D'ETANCHEITE	Klemmhülse d=6 mm messing	BOCCOLA ESTERNA D.6
4	9991.009	BOCCOLA INTERNA D.4	INSIDE BUSH D.4	BAGUE ETANCHEITE INTERNE	Stützülse d=4mm Messing	BOCCOLA INTERNA D.4
5	9991.129	BOCCOLA INTERNA D.4 OTTONE NIK	INTERNAL BUSH D.4 BRASS NIK	DOUILLE INTERNE D.4	Hülse Innen D.4 SG700	BOCCOLA INTERNA D.4 OTTONE NIK
6	NR05.030	RACCORDO BICO AL M 1/8X06 INO	BICONIC. CONN. L M 1/8X06 SS	RACCORDO BICONE 120V UL	"Raccord Klemmhülse 1/8"x6"	RACCORDO BICO AL M 1/8X06 INO
7	NR10.014	"RACCORDO 1/8" D.6 ORIENTABILE"	"CONNECTOR 1/8" D.6 REVOLVING"	"RACCORDO 1/8" D.6 ORIENTABLE"	"Raccord 1/8" D=6 beweglich"	"RACCORDO 1/8" D.6 ORIENTABILE"
8	14032.1462	OR 2018 SILICONE	O-RING 2018 SILICONE	JOINT 2018	O-Ring 2018 Silikon	OR 2018 SILICONE
9	11022.113	CORPO SUPERIORE M5 NEW	UPPER CASING M5 NEW	CORPS SUPERIEUR M5 NEW	THERMOBLOCK OBerteil M5 NEW	CORPO SUPERIORE M6 TEA
10	11002.289	CORPO SUPERIORE M6 TEA	UPPER DOSSER CASING M6 TEA	CORPS SUPERIEUR M6 TEA	THERMOBLOCK OBerteil M6 TEA	CORPO SUPERIORE M6 TEA
11	11000.972	OR 3050 FKM 80 FD PEROXIDICA	OR 3050 FKM 80 FD PEROXIDICA	JOINT OR 3050 FKM 80 FD PEROXIDI	O-Ring 3050 PEROXID	OR 3050 FKM 80 FD PEROXIDICA
12	11007.593	RES.CALD. 120V 1000W INC.800	RES. CALD. V120 W1000 INC.800	NON UTILISE POUR LA FRANCE ET LE	Heizung Cristallo/Rubino/Topazio	RES. CALD. 120V 1000W INC.800
13	9011.255.00A	RES.CALD.230V 1000W	RES. CALD.V230 W1000	RESISTANCE 230V 1000W	Heizung Cristallo/Rubino/Topazio	RES. CALD. 230V 1000W
14	NR04.010	OR ORM 0730-40 FPM 70 +-5 IRHD N	OR ORM 0730-40 FPM 70+-5 IRHD BL	JOINT DE CHAUDIERE OR ORM 0730-4	O-Ring 0730-40 Viton 75 FDA	OR ORM 0730-40 FPM 70 +-5 IRHD N
15	9011.010	CORPO INFERIORE MAGGIORATO	LOWER SIZE LOWER CASING	CORPS INF CHAUDIERE	Thermoblock Unterteil M5	CORPO INFERIORE MAGGIORATO
16	9011.226	CORPO INFERIORE M6 VENDING TEA	LOWER OVERSIZE CASING M6 VENDING	CORPS INF CHAUDIERE M6	Thermoblock Unterteil M6	CORPO INFERIORE M6 VENDING TEA
17	11003.952	"ASS.CALD.COMBI SNACK M6 120V UL"	"ASS.BOILER COMBI SNACK M6 120V U"	"CHAUDIERE COMPLETE COMBI SNACK M"	THERMOBLOCK KOMPLETT M6 T1/120V-	"ASS.CALD.COMBI SNACK M6 120V UL"
18	11010.614	"ASS.CALD.DIAMANTE M6 T=120V RES."	"ASS.BOILER DIAMANTE M6 120V TEA"	"CHAUDIERE COMPLETE DIAMANTE M6 T=120V"	"Thermoblock kpl. M6 T=120V RES"	"ASS.CALD.DIAMANTE M6 T=120V RES"
19	11012.446	"ASS.CALD.DIAMANTE M6 T=120V RES."	"ASS.BOILER DIAMANTE M6 120V TEA"	"CHAUDIERE COMPLETE COMBI SNACK M"	"Thermoblock kpl. M6 T=120V RES"	"ASS.CALD.DIAMANTE M6 T=120V RES"
20	11011.610	STAFFA CALDAIA	CHASE BOILER	CHAUDIERE COMPLETE M6 230V TE	BOILER M6 230V TEA	ASS.CALD.M6 230V RES.AVV.TEA
21	11007.052	ROSETTA PIANA 5.3X10 UNI 6592 ZN	PLAIN WASHER 5.3X10 UNI 6592 GAL	SUPPORT CHAUDIERE	Halterung für Thermoblock	ROSETTA PIANA 5.3X10 UNI 6592 ZN
22	U043.021	VITE TCBC M5.0X8 UNI 7687 ZNP	PLAIN TCBC M5.0X8 UNI 7687 GALV.	RONDELL 5.3*10 UNI6592 ZN	Schelle A5.3 DIN 125 verz.	VITE TCBC M5.0X8 UNI 7687 ZNP
23	1894.28700	TERMOSTATO 175° INT-15L-5126	THERMOSTAT 175° INT-15L-5126	THERMOSTAT 175° INT-15L-5126	Thermostat Heizung Office One	TERMOSTATO 175° INT-15L-5126
24	12007.052	VITE TCEI M4.0X6 DIN 912 ZIN	SCREW TCEI M4.0X6 DIN 912 ZIN	VIS TCEI M4.0X6 UNI 5931 ZIN	Schraube M4X0.6 UNI 5931 8.8 ZI	VITE TCEI M4.0X6 UNI 5931 8.8 ZI
25	226830200	MOLLA FERMA 3 TERMOSTATI	RETAIN SPRING 3 THERM. + THERMAL	RESSORT THERMOSTATIQUE	Thermostatfeder 3 Thermosta	MOLLA FERMA 3 TERMOSTATI
26	9991.029	DADO X RESISTENZA	NUT FOR RESISTOR	REGOU DE LA RESISTANCE	Sechskantmutter zur Heizschlange	DADO X RESISTENZA
27	11000.079	ASS.SENSORE DA COMBI SNACK	ASS.SENSOR COMBI SNACK	REGULATEUR DE CHAUFFE COMBI SNAC	Temperatursensor kpl. Combi Snac	ASS.SENSORE DA COMBI SNACK
28	11000.091	ASS.SENSORE DA COMBI SNACK UL	ASS.SENSOR COMBI SNACK UL	REGULATEUR DE CHAUFFE COMBI SNAC	Temperatursensor kpl. Combi Snac	ASS.SENSORE DA COMBI SNACK UL
29	9991.085	RONDELLA FERMATERMOSTATI	THERMOSTAT FIXING WASHER	RONDELLE DE THERMOSTAT	Thermostatabschlühung d=15mm	RONDELLA FERMATERMOSTATI
30	NE09.021	TERMOSTATO 150°NC FASTON 90°	THERMOSTAT 150°NC FASTON 90°	THERMOSTAT 150	Thermostat 150°C	TERMOSTATO 150°NC FASTON 90°
31	U005.018	VITE TE M5.0X16 UNI 5739 ZNP 8.8	SCREW TCEI M5.0X16 UNI 5739 ZNP 8.8	VIS TE M5.0X16 UNI 5739 ZNP 8.8	Sechskantschr. M5x16 DIN 933 verz	VITE TE M5.0X16 UNI 5739 ZNP 8.8
32	U023.020	VITE TCEI M6X20 UNI 5931 8.8 ZIN	SCREW TCEI M6X20 UNI 5931 ZIN	VIS M6X20	Zylinderschr. M6x20 DIN 912 verz	VITE TCEI M6X20 UNI 5931 8.8 ZIN
33	NE15.003	LINGUETTA MASCHIO PIANA 6.3 D.5.2	MALE TONGUE PLAIN 6.3 D.5.2	LANGUETTE 6.3 D.5.2	Schutzleiteranschluss zu Schraube	LINGUETTA MASCHIO PIANA 6.3 D.5.
34	NE15.031	LINGUETTA MASCHIO PIANA 6.3 D.6.	MALE TONGUE PLAIN 6.3 D.6.3	LANGUETTE DE TERRE 6.3 D.6.3	Schutzleiteranschluss zu Schraube	LINGUETTA MASCHIO PIANA 6.3 D.6.
35	11011.454	RACCORDO A T X CALDAIA TEA	"CONNECTOR FOR BOILER TEA T"	RACCORD EN T POUR CHAUDIERE TEA	"CONNECTOR FOR BOILER TEA T"	RACCORDO A T X CALDAIA TEA
36	9971.036	TUBO TEFLON 4X6 L.160 MM	TEFLON TUBE 4X6 L.160 MM	TUBE TEFLON 4X6 L.160MM	Teflonschlauch 4x6 l=160 mm	TUBO TEFLON 4X6 L.160 MM
37	9979.997	ASS.TUBO TEFLON 4X6 L.160	ELECTROVALVE OLAB 3 VOIES 24V DC	ENS.TUBE TEFLON 4X6 L.160	Teflonschlauch kpl. 4x6 l=160mm	ASS.TUBO TEFLON 4X6 L.160
38	11023.762	ELETTROVALVOLA 3 VIE 24V DC DC	ELECTROVALVE OLAB 3 VOIES 24V DC	ELECTROVALVINE OLAB 3 VOIES 24V DC	Elektroventil OLAB P8 24V DC TEA	ELETTROVALVOLA 3 VIE 24V DC DC
39	9991.035	DADO 1/8 H.4.5	NUT 1/8 H.4.5	ECROU 1/8 H.4.5	Sechskantmutter 1/8" GAS l=4.5mm"	DADO 1/8 H.4.5
40	9972.057	TUBO SILICONE 5X8 L.2000MM	SILICONE TUBE 5X8 L.2000MM	TUBE SILICONE MARRON L2M 5X8	Siliconschlauch 5x8, l=2mtr.,bra	TUBO SILICONE MARRON 5X8 L.2000
41	9991.012.050	CAMMA X MOTORIDUTTORE NERA	CAMI FOR RATIONMOTOR BLACK	CAME MOTEUR REDUCTEUR	Doppelnockenscheibe schwarz	CAMMA X MOTORIDUTTORE NERA
42	1283.10404	ROSETTA UNI 8842 A4 BRUNITA	WASHER UNI 8842 A4 BURNISHED	RONDELLE UNI 8842 A4	Fächerscheibe A4, 3 DIN 6798 verz	ROSETTA UNI 8842 A4 BRUNITA
43	129824002	VITE TCB M4X10 UNI 7687 ZNP	TCB SCREW M4X10 UNI 7687 ZNP	VIS TCB M4X10 UNI 7687	Schraube M4x10	VITE TCB M4X10 UNI 7687 ZNP
44	U302.002	DADO ESAGONALE M3 UNI 5588 ZNP	NUT HEXAGONAL M3 UNI 5588	RONDELLE DENT. 3.3X5.8 UNI 3703	FEDERUNG 3.3X5.8	DADO ESAGONALE M3 UNI 5588 ZNP
45	NE05.066	MICROINTERRUTTORE CROUZET	MICROSWITCH CHERRY D419Q1A	MICRO INTERRUPTEUR CROUZET	Mikroschalter Getriebemotor C15	MICROINTERRUTTORE CROUZET
46	9991.014	CARTONCINO X MICROINTERRUTTORE	CARD FOR MICRO SWITCHES	PLAQ.SUPP-MICRO INTERRUPT	Isolationscheibe	CARTONCINO X MICROINTERRUTTORE
47	11032817	MOTORIDUTTORE IN PLASTICA PACCO 30	RATIONMOTOR 30 PACK 230/240-50	MOTEUR REDUCTEUR	Getriebemotor 230/240-50	MOTORIDUTTORE IN PLASTICA PACCO 30
48	11032818	MOTORIDUTTORE IN PLASTICA PACCO 30	RATIONMOTOR 30 PACK 120/60	MOTEUR REDUCTEUR 120/60	Getriebemotor 120/60	MOTORIDUTTORE IN PLASTICA PACCO 30
49	11032819	MOTORIDUTTORE IN PLASTICA PACCO 30	RATIONMOTOR 30 PACK 220/60	MOTEUR REDUCTEUR	Getriebemotor 220/60	MOTORIDUTTORE IN PLASTICA PACCO 30
50	20007.307	RIC. EVT. SBOB. EVT HS1 11023762	SPARE EVT HS1 11023762	RIC. EVT SBOB. EVT HS1 11023762	SPARE EVT HS1 11023762	RIC. EVT.SBOB. EVT HS1 11023762
51	20005.373	RIC. BOBINA EVT HS1 11023762	SOLENOID X HS1 11023762	BOBINE ELECTROVANNI.HS1 11023762	Spule HS1 11023762	RIC. BOBINA EVT HS1 11023762
52	20007.305	RIC. NUCLEO EVT HS1 11023762	SPARE EV MOBILE CORE 11023762	RIC. NUCLEO EVT HS1 11023762	SPARE EV MOBILE CORE 11023762	RIC. NUCLEO EVT HS1 11023762
53	20007.306	RIC. CANNOTTO EVT HS1 11023762	SPARE EVT HS1 11023762	RIC. CANNOTTO EVT HS1 11023762	SPARE EVT HS1 11023762	RIC. CANNOTTO EVT HS1 11023762
54	9991.212	RACCORDO SUPPORTO CALDAIA	CONNECTOR NIK BOILER SUPPORT	RACCORD SUPPORT DE CHAUDIERE	Raccord zu Support Thermoblock	RACCORDO SUPPORTO CALDAIA
55	9991.214	RACCORDO SUPPORTO CALDAIA NIK	CONNECTOR NIK BOILER SUPPORT	RACCORD SUPPORT DE CHAUDIERE NIK	Raccord zu Support Thermoblock	RACCORDO SUPPORTO CALDAIA NIK
56	126765317	MOLLA PIST.CALD.MAGIC 9011.007 A	STEEL SPRING BOILER PISTON MAGIC	RESSORT	Ventilfeder	MOLLA PIST.CALD.MAGIC 9011.007 A
57	11009.019	AS.PISTONCINO C/GOLA L=20.9 OTTIT	TEARBRASS PISTON L=20.9 ASSY.	ENS PISTON	VENTILSTIFT + DICHTUNG VITON	AS.PISTONCINO C/GOLA L=20.9 OTTIT
58	9191.A20	ASS.SPILLO IN OTTONE NIK	PIN ASS. BRASS NIK	PIECE INTERMEDIAIRE NIK	Messing-Nadel kpl.	ASS.SPILLO IN OTTONE NIK
59	9161.213	SUPPORTO CALDAIA TEFLONATO	BOILER TEFLON SUPPORT	SUPPORT CHAUDIERE TEFLON	Ventilsupport P7PL	SUPPORTO CALDAIA TEFLONATO
60	9161.271	SUPPORTO CALDAIA OTT. NIK	BRASS BOILER SUPPORT NIK	SUPPORT CHAUDIERE NIK	Boilersupport Teflon	SUPPORTO CALDAIA OTT. NIK
61	9111.473	ISOLANTE X SUPPORTO CALDAIA	INSULATOR FOR BOILER SUPPORT	ISOLANT SUPPORT CHAUDIERE	Isolierung zu Boilerhalterung	ISOLANTE X SUPPORTO CALDAIA
62	9011.005	PERNO X CALDAIA	PEG FOR BOILER	PIVOT POUR CHAUDIERE	Fixiersstift mit Gewinde M4	PERNO X CALDAIA
63	U044.013	VITE TSPC M4.0X12 UNI 7688 ZNP	screw TSPC M4.0X12 UNI 7688 GALV	VIS M4.0X12 UNI 7688 GALV	Senkschraube M4x12 DIN 965 verz.	VITE TSPC M4.0X12 UNI 7688 ZNP
64	129825502	VITE TCB M4X25 UNI 7687 ZNP	TCB SCREW M4X25 UNI 7687 ZNP	VIS TCB M4X25 7687	Linsenschraube M4x25 DIN 7985 ve	VITE TCB M4X25 UNI 7687 ZNP
65	1295.1903	VITE TCB 2.9X6.4 DIN 7981 BZ NIK	SCREW TCB 2.9X6.4 DIN 7981 BZ NI	VIS TCB 2.9X6.4 UNI 7981 BZ NICK	Blechschräube 2.9X6.4 NI	VITE TCB 2.9X6.4 DIN 7981 BZ NIK
66	11004.268	PROTEZIONE X MOTORIDUTTORE BEI	BEIGE CENTRAL UNIT MOTOR CARTER	CARTER DE PROTECTION BEIGE	SCHUTZABDECKUNG GETRIEBEMOTOR	PROTEZIONE X MOTORIDUTTORE BLK
67	11022.720	PROTEZIONE X MOTORIDUTTORE BLK	BLK CENTRAL UNIT MOTOR CARTER	CARTER DE PROTECTION BLK	SCHUTZABDECKUNG GETRIEBEMOTOR	PROTEZIONE X MOTORIDUTTORE BLK

N.POSI	COD	I - DESCRIZIONE	UK - DESCRIPTION	F - DESCRIPTION	D - BEZEICHNUNG	E - DESCRIPCION
52	NV01.007	PIEDINO ADESSIVO	ADHESIVE FOOT	PIED ADHESIF	Gerätetuß selbstklebend	PIEDINO ADESSIVO
53	9991.015	PIASTRINA X MICRO	PLATE FOR MICRO	PLAQUETTE MICRO INTERRUPT	Montageblech für Microschalter	PIASTRINA X MICRO
54	9991.013	GIUNTO X MOTORIDUTTORE	JOINT FOR RATIO MOTOR	PIGNON MICRO REDUCTEUR	Kupplung GServicebemerotor P5 A	GIUNTO X MOTORIDUTTORE
55	9120.044.00A	ASS.MOTORIDUTTORE X DA 230V	RATIO MOTOR ASS. DA 230V	ENS. MOTOREDUCTEUR 230V	Getriebemotor kplt. 230V / P7/P10	ASS.MOTORIDUTTORE X DA 230V
55	9120.044.00N	ASS.MOTORIDUTTORE X DA 220V 60HZ	RATIO MOTOR ASS. DA 220V 60HZ	NON UTILISEE PAR LA FRANCE ET BE	BRÜHERANTRIEB KOMPLETT 120V	ASS.MOTORIDUTTORE X DA 220V 60HZ
56	9160.001.06A	ASS.DOSAT.CAFFE DA 7P 220V	COFFEE DOSER ASS.DA 7P 220V	DOSEUR COMPLET DA 7P 230V	Dosierer kplt. 230V braun	ASS.DOSAT.CAFFE DA 7P 220V
56	9160.001.06F	ASS.DOSAT.CAFFE DA 7P 120V	COFFEE DOSER ASS.DA 7P 120V	NON UTILISEE PAR LA FRANCE ET BE	DOSIERER KPLT. 7,5 G / 120V	ASS.DOSAT.CAFFE DA 7P 120V
56	9160.001.06N	ASS.DOSAT.CAFFE DA 7P 220V 60HZ	COFFEE DOSER ASS.DA 7P 220V 60 H	NON UTILISEE PAR LA FRANCE ET BE	Dosierereinheit kplt. 220V 60Hz	ASS.DOSAT.CAFFE DA 7P 220V 60HZ
56	9160.025.06A	ASS.DOSATORE CAFFE DA 7P 9 GR. 230	COFFEE DOSER ASS.DA 7P 9 GR. 230	ENS. DOSEUR COMPLET 9GR.230V	Dosierer 9 gr. kplt. 230 V	ASS.DOSATORE CAFFE DA 7P 9 GR.230
56	9160.025.06F	ASS.DOSATORE CAFFE DA 7P 9 GR. 120	COFFEE DOSER ASS.DA 7P 9 GR. 120	NON UTILISEE PAR LA FRANCE ET BE	DOSIERER KPLT. 9G / 120 V	ASS.DOSATORE CAFFE DA 7P 9 GR.120
57	9161.007	PERNO X FISSAGGIO MICRO	PIN FOR FIXING MICRO	AXE FIXATION MICRO	GEWINDBOLZEN	PERNO X FISSAGGIO MICRO
58	NF13.006	ANELLO X PERNI D.3 QUICLOCK ZINC	RING FOR PIN D.3 QUICLOCK ZINC	RONDELLE D.3 QUICLOCK ZINC	Sicherungsring d=3 zu Bolzen ver	ANELLO X PERNI D.3 QUICLOCK ZINC
59	NE05.058	MICRO DOSATORE N.V.	DOSER MICRO N.V.	MICRO DOSEUR	Microschalter, Dosierer, Ambrà	MICRO DOSATORE N.V.
60	U310.001	DADO AUTOBLOC.M3 UNI 7473 ZINC.	SPRING FOR LOCK. NUT M3 UNI 7473	ECHRO AUTOBLOC.M3 UNI 7473 ZNP	Sechskantmutter M3 DIN 985 verz.	DADO AUTOBLOC.M3 UNI 7473 ZINC.
61	126762318	MOLLA X REGOLAZIONE DOSE DOSATOR	SPRING FOR DOSE ADJUST. DOSER	RESSORT DE VIS DE REGLAGE	Feder Dosierer SA, VE	MOLLA X REGOLAZIONE DOSE DOSATOR
62	U207.003	ROSETTA PIANA 3.2X7 UNI 6592 ZNP	FLANGE WASHER 3.2X7 UNI 6592 GALV	RONDELLE 3.2X7 UNI 6592 ZNP	Schelle A3, 2 DIN 125 verz.	ROSETTA PIANA 3.2X7 UNI 6592 ZNP
63	9161.009	DISTANZIALE X PERNO REGOLAZIONE	SPACE FOR REGULATION PIN	ENTRETOISE AXE DE REGULATION	DISTANZSCHIBE, NYLON	DISTANZIALE X PERNO REGOLAZIONE
64	9129.A01.00A	ASS.BOBINA DOSAT.CAFFE 230V	COFFEE DOSER COIL ASS.230V	BOBINE DOSEUR 230V	EL-Magnetspule 230V kplt.z.Dosie	ASS.BOBINA DOSAT.CAFFE 230V
64	9129.A01.00F	ASS.BOBINA DOSAT.CAFFE 120V	COFFEE DOSER COIL ASS.120V	NON UTILISEE PAR LA FRANCE ET BE	EL-MAGNETSPULE 120V KPLT Z.DOSIE	ASS.BOBINA DOSAT.CAFFE 120V
64	9129.A01.00N	ASS.BOBINA DOSAT.CAFFE 220V 60HZ	COFFEE DOSER COIL ASS.220V 60HZ	NON UTILISEE PAR LA FRANCE ET BE	Spule kplt. 220V	ASS.BOBINA DOSAT.CAFFE 220V 60HZ
65	9161.006	PERNO X REGOLAZIONE MICRO	PIN FOR REGULATION MICRO	VIS DE REGLAGE MICRO	Einstellschraube	PERNO X REGOLAZIONE MICRO
66	9161.001.060	SUPPORTO DOSATORE MARRON	DOSEUR SUPPORT BROWN	SUPPORT DOSEUR MARRON	Support zu Dosierer	SUPPORTO DOSATORE MARRON
67	9161.361	PROTEZIONE MYLAR X MICRO DOSATOR	MYLAR GUARD FOR MICROBATCHER	PROTECTION MYLAR	Schutzplatte zu Mikrosch. Dosier	PROTEZIONE MYLAR X MICRO DOSATOR
68	U406.001	SPINA ELASTICA 3.0X8 UNI 6873	ELASTIC PIN 3.0X8 UNI 6873	AXE 3X8 UNI 6873	Spannstift 3x8 DIN 1481	SPINA ELASTICA 3.0X8 UNI 6873
69	9161.011	PIASTRINA MARRON X SPORTELL.DOSAT	DOSEUR DOORPLA. BROWN	PLAQUE POUR PORTE DOSEUR	Anker 29,5mm Elektromagnet	PIASTRINA MARRON X SPORTELL.DOSAT
70	147570100	PERNO MARRON	PIN BROWN	AXE MARRON	Bolzen braun	PERNO MARRON
71	9161.010.060	CORPO DOSATORE MARRON MODIFICATO	MODIFIED DOSER CASING BROWN	CORPS DOSEUR MARRON MODIFIE	Dosiereteil zu Dosierer braun	CORPO DOSATORE MARRON MODIFICATO
72	9161.131.060	CORPO DOSATORE 9 GR.GRIGIO MOD.	DOSEUR CASING 9 GR. GREY MODIFIED	CORPS DOSEUR 9GR. GRIS	Dosiereteil 9gr.	CORPO DOSATORE 9 GR.GRIGIO MOD.
73	9161.219.150	MOLLA X SPORTELLO DOSATORE	SPRING FOR DISPENSER DOOR	RESSORT DE DOSEUR	Zugfeder Klappe Dosierer	MOLLA X SPORTELLO DOSATORE
74	U109.006	VITE AUT.TCB 2.2X9.5 DIN 7981 C	screw AUT.TCB 2.2X9.5 DIN 7981 C	VIS TCB2.2X9.5DIN7981CNIK	Linsen-Blechs. 2,2x9,5 DIN 7981	VITE AUT.TCB 2.2X9.5 DIN 7981 C
75	9141.013.060	MANOPOLA SERIGRAFATA MARRON	S/SCREENED KNOB BROWN	ANNEAU REGLAGE DE MOUTURE	Einstellung Mahlgrad P7	MANOPOLA SERIGRAFATA MARRON
76	0701.954	FRECCIA ADESSIVA	ADHESIVE ARROW	FLECHE ADHESIVE	Aufkleber Pfeil	FRECCIA ADESSIVA
77	9141.005	PERNO MANOPOLA	KNOB PIN	AIGUILLE D'ARRETOIR	Feder zu Raststift	PERNO MANOPOLA
78	126769118	MOLLA X PERNO FERMA MANOPOLA (H=	SPRING FOR KNOB STOP PIN (H=19)	RESSORT D'AXE	Mahlwerkmotor kplt. 230V PR	MOLLA X PERNO FERMA MANOPOLA (H=
79	9140.001.00A	ASS.MOTORE MACINACAFFE 220/230V	COFFEE GRINDER MOTOR ASS.220/230V	MOTEUR MOUTURE 220/230V	MAHLWERKMOTOR KPLT. 120V PR	ASS.MOTORE MACINACAFFE 220/230V
79	9140.001.00F	ASS.MOTORE MACINACAFFE 120V	COFFEE GRINDER MOTOR ASS.120V	NON UTILISEE PAR LA FRANCE ET LE	Dichtung zu Bohnenbehälter	ASS.MOTORE MACINACAFFE 120V
80	0862.108	GUARNIZIONE X CONTENITORE CAFFE'	SEAL FOR COFFEE CONTAINER	GARNITURE MOULIN A CAFE	Linsenschraube M3x8 DIN 7981 C N	GUARNIZIONE X CONTENITORE CAFFE'
81	U043.007	VITE TCB M3.0X8 UNI 7687 ZNP	screw TCB M3.0X8 UNI 7687 GALV.	VIS TCBM3X8UNI 7687 ZNP	Gewindestift h=25mm	VITE TCB M3.0X8 UNI 7687 ZNP
82	9141.008	VITE DI REGOLAZIONE MANOPOLA	KNOB ADJUSTMENT SCREW	VIS DE ANNEAU DE REGLAGE	O-Ring 3187 NBR	VITE DI REGOLAZIONE MANOPOLA
83	140321550	OR. 3187 NBR	O-RING 3187 NBR	JOINT NBR 3187	O-Ring 3187 NBR	OR. 3187 NBR
84	9141.081	MACINA PIANA D.43	FLAT MILL D.43	MEULE D.43	Mahnschleibe PR, PRGA, CA, P-Geträ	MACINA PIANA D.43
85	9141.001	VITE DI INCREMENTO MC IN OTTONE	BRASS INCREMENT SCREW MC	SUP D'ENTRAINEMENT CAFE	Mahlschleibe Messing	VITE DI INCREMENTO MC IN OTTONE
86	9141.007	VENTOLINA	FAN	SUPPORT DE MEULE	Mahlschleiben-Support	VENTOLINA
87	9140.002.00A	ASS.MOTORE CON CALOTTA 230V	MOTOR ASS.WITH CAP 230V	MOTEUR MOUTURE 500	Mahlwerkmotor 230V 50/60Hz	ASS.MOTORE CON CALOTTA 230V
87	9140.002.00F	ASS.MOTORE CON CALOTTA 120V	MOTOR ASS.WITH CAP 120V	NON UTILISEE PAR LA FRANCE ET LE	MAHLWERKMOTOR 120V	ASS.MOTORE CON CALOTTA 120V
88	9141.014.060	CARTER PROTEZIONE MOTORE MARRON	MOTOR PROTECTION CASING BROWN	CARTER PROTECTION MOTEUR	Motorabdeckung, braun	CARTER PROTEZIONE MOTORE MARRON
89	U109.016	VITE AUT.TCB 3.9X13 DIN 7981 C N	screw AUT.TCB 3.9X13 DIN 7981 C	VIS TCB3.9X13DIN7981C NIK	Kohle Mahlwerkmotor	VITE AUT.TCB 3.9X13 DIN 7981 C N
90	0701.R34	SPAZZOLA MOTORE MACINACAFFE'	MOTOR BRUSH	BROCHE DE MOTEUR	Linse	SPAZZOLA MOTORE MACINACAFFE'
91	12002052	VITE TCB M4X16 ZN-B	ZN-B TCB SCREW M4X16	VIS TCBM4X16UNI7687ZNP	Schelle A4, 3 DIN 125 verz.	VITE TCB M4X16 ZN-B
92	U207.002	ROSETTA PIANA 4.3X9 UNI 6592 ZNP	PLAIN WASHER 4.3X9 UNI 6592 GAL	RONDELLE 4.3*9 UNI6592 ZNP	Distanzhülse	ROSETTA PIANA 4.3X9 UNI 6592 ZNP
93	9141.003	DISTANZIALE X GOMMINO	SPACER FOR RUBBER	RONDELLE D'ECARTEMENT	Gummihalterung Mahlwerkmotor MA	DISTANZIALE X GOMMINO
94	9991.005	GOMMINO X MACINACAFFE'	RUBBER FOR COFFEE GRINDER	SILENT BLOC CAFE MOULU	Zylinderschr.M3x30 DIN 84 verz.	GOMMINO X MACINACAFFE'
95	U034.001	VITE TCI M3,0X30 UNI 6107 ZNP	screw TCI M3,0X30 UNI 6107 GALV.	VIS TCI M3X30UNI6107 ZNP		VITE TCI M3,0X30 UNI 6107 ZNP



7 grammi
7 grammi
7 grammi
9 grammi - solo UL



7 grammi
9 grammi



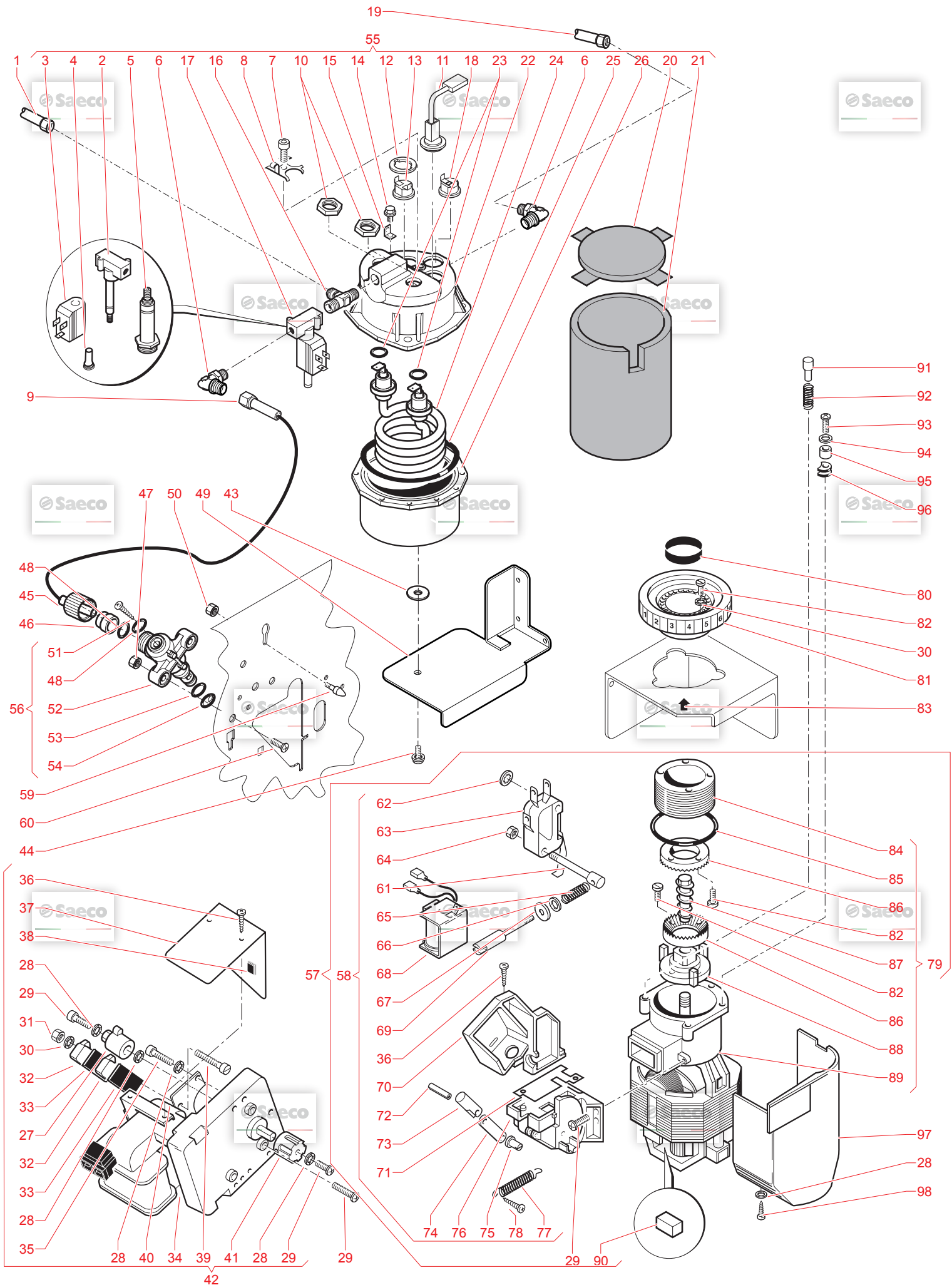
14/01/2019

E008.975

13

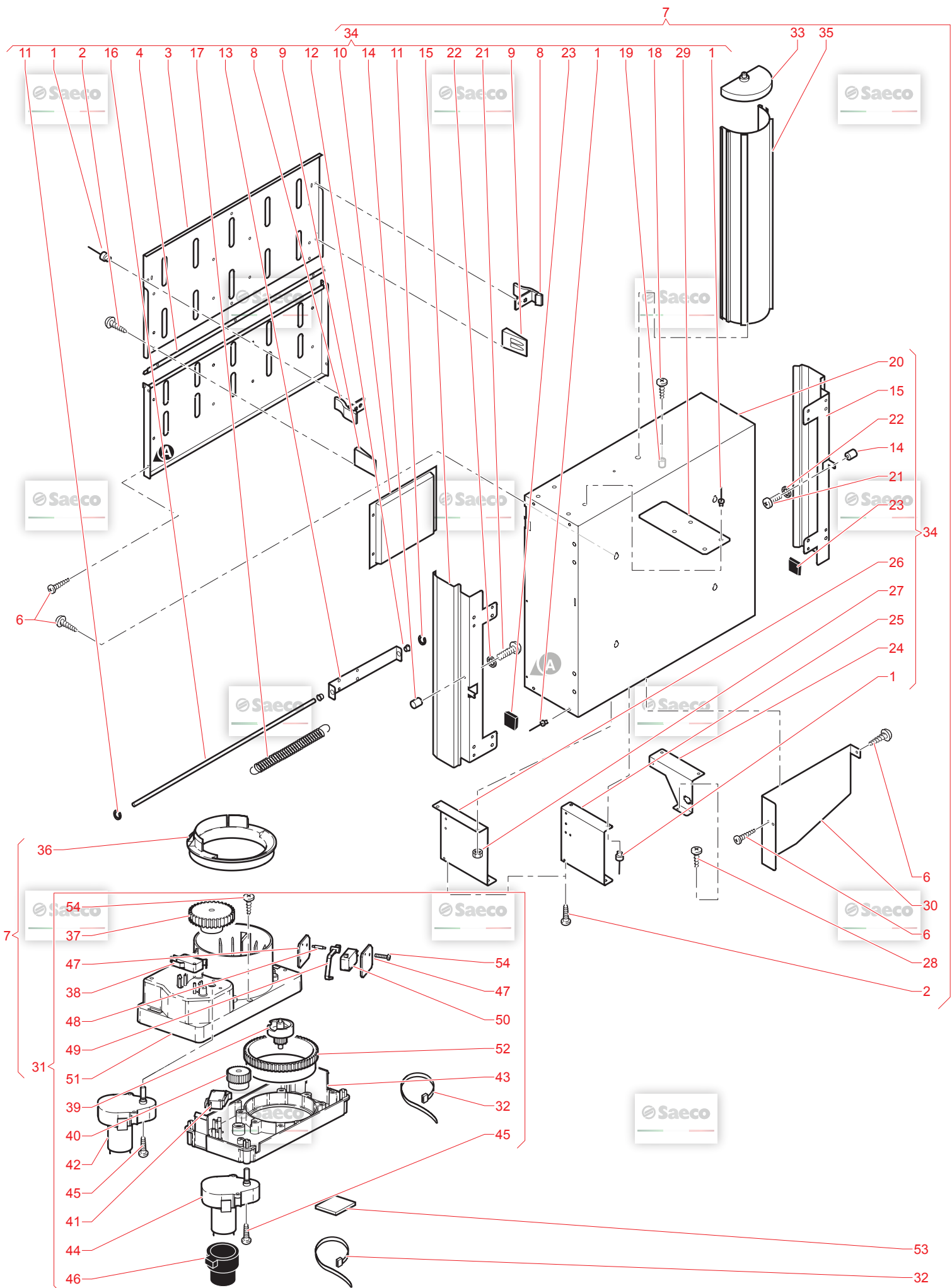
Combi Snack

© by Saeco, a company of Evoca Group - GAGGIO MONTANO

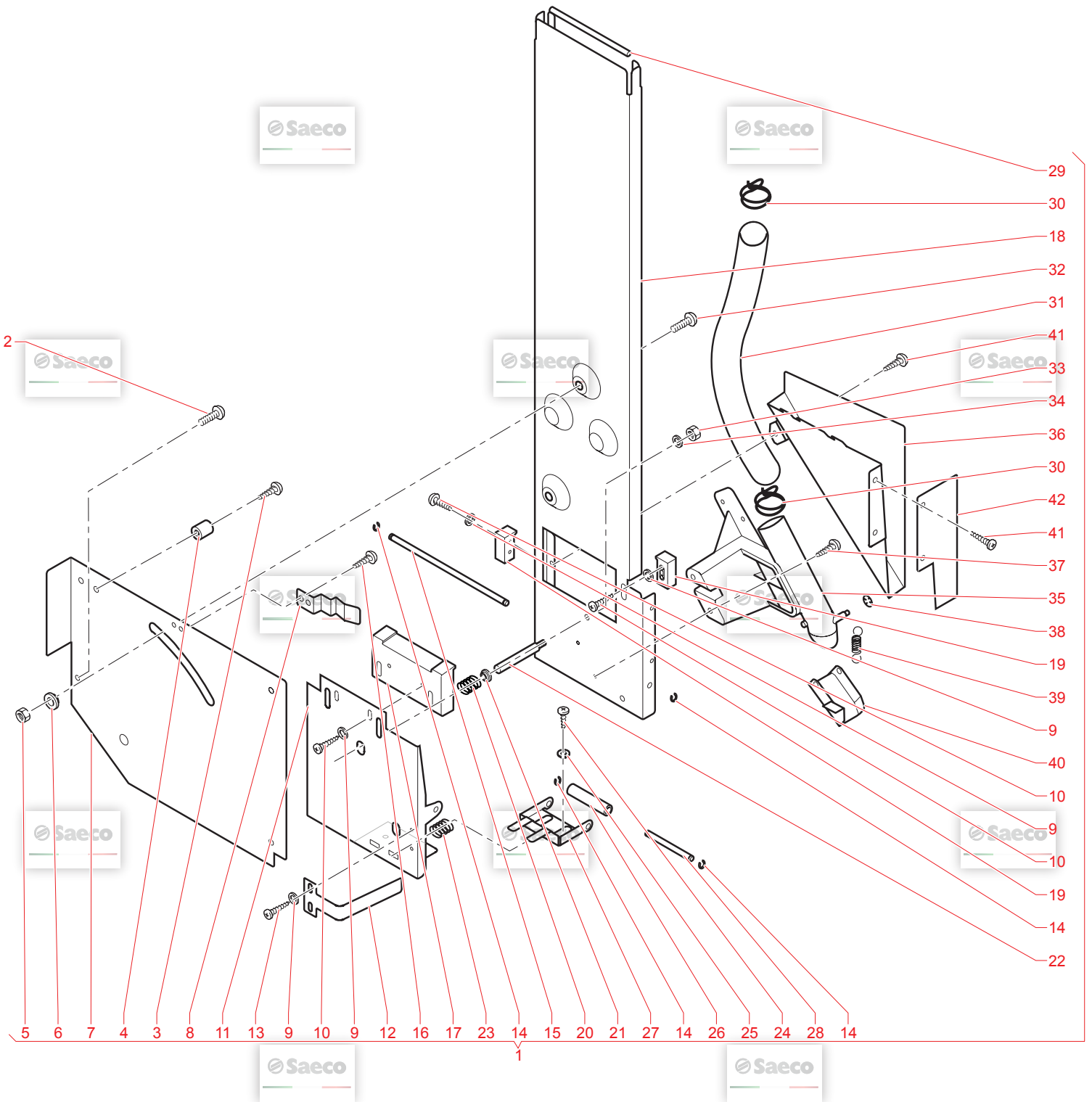


N.POSI	COD	I - DESCRIZIONE	UK - DESCRIPTION	F - DESCRIPTION	D - BEZEICHNUNG	E - DESCRIPCION
1	11025296	"ASS.TUBO TEFLON 3x6 L.250 1/8"-1"	"TEFLON TUBE 3x6 L.250 1/8"-1/8"	"ENS.TUBE TEFLON 3x6 L.250 1/8"-1"	"TEFLON TUBE 3x6 L.250 1/8"-1/8"	"ASS.TUBO TEFLON 3x6 L.250 1/8"-1"
2	20007367	RIC. EVT S/BOB. EVT HS1 11023762	SPARE EVT HS1 11023762	ELECTROVANN SEULE 11032408 HS1	SPARE EVT HS1 11023762	RIC. EVT S/BOB. EVT HS1 11023762
3	20005373	RIC. BOBINA EVT HS1 11023762	SOLENOID X HS1 11023762	BOBINE ELECTROVANN HS1 11023762	Spule HS1 11023762	RIC. BOBINA EVT HS1 11023762
4	20007361	RIC. BOBINA EVT ODE	SOLENOID EVT ODE	BOBINE ELECTROVANN ODE	SPARE EVT ODE	RIC. BOBINA EVT ODE
5	20007305	RIC. NUCLEO EVT HS1 11023762	SPARE EV MOBILE CORE 11023762	NOYAU RUBIS ELECTROVANN ODE	SPARE EV MOBILE CORE 11023762	RIC. NUCLEO EVT HS1 11023762
6	20007362	RIC. NUCLEO EVT ODE	SPARE CORE EV ODE	RIC. CANNOTTO EVT HS1 11023762	SPARE CORE EV ODE	RIC. NUCLEO EVT ODE
7	20007363	RIC. CANNOTTO EVT ODE	SPARE EVT ODE	CANAL ELECTROVANN ODE	SPARE EVT ODE	RIC. CANNOTTO EVT ODE
8	12001181	RACCORDO BICOANO AL M 1/8X06 OTT	BICONICAL CONNECT. L M 1/8X06 TE	RACCORD 906 LM 1/8"06 OTT. TEA	"Verschraubung 90° 1/8"-x06 P7 TEA"	RACCORDO BICOANO AL M 1/8X06 OTT
9	20010052	VITE TCEI M4,0x6 UNI 5931 8.8 ZI	SCREW TCEI M4,0x6 DIN 912 ZIN	VIS TCEI M4,0x6 UNI 5931 ZIN	Schraube M4x0,6 UNI5931	VITE TCEI M4,0x6 UNI 5931 8.8 ZI
10	226830200	MOLLA FERMA 3 TERMOSTATI	RETAIN SPRING 3 THERM. + THERMAL	RESSORT THERMOSTATIQUE	Thermosatahelfeder 3 Thermosata	MOLLA FERMA 3 TERMOSTATI+THERMOFU
11	11011454	ASS.TUBO TEFLON 3x6 L.290 GODRONE	TUBE ASSEMBLY TEFLON 3x6 L.290MM	ENS. TUBE TEFLON 3x6 L.290 GODRONE	Teflon Schlauch 3x6 L.290mm / 4m	ASS.TUBO TEFLON 3x6 L.290 GODRONE
12	11025410	ASS.TUBO TEFLON 3x6 L.330 GODRONE	TUBE ASSEMBLY TEFLON 3x6 L.330MM	ENS. TUBE TEFLON 3x6 L.330MM	Teflon Schlauch 3x6 L.330mm / 4m	ASS.TUBO TEFLON 3x6 L.330 GODRONE
13	9991.029	DADO X RESISTENZA	NUT FOR RESISTOR	ECROU DE LA RESISTANCE	Sechskantmutter zur Heizschlange	DADO X RESISTENZA
14	11000079	ASS.SENSORE DA COMBI SNACK	ASS.SENSOR COMBI SNACK	REGULATEUR DE CHAUFFE COMBI SNAC	Temperaturfühler für Heißeischaube	ASS.SENSORE DA COMBI SNACK
15	11000091	ASS.SENSORE DA COMBI SNACK UL	ASS.SENSOR COMBI SNACK UL	REGULATEUR DE CHAUFFE COMBI SNAC	Temperaturfühler für Heißeischaube	ASS.SENSORE DA COMBI SNACK UL
16	9991.085	RONDELLA FERMATERMOSTATI	THERMOSTAT FIXING WASHER	RONDELLE DE THERMOSTAT	Thermosatabstichführung d=15mm	RONDELLA FERMATERMOSTATI
17	NE09.021	TERMOSTATO 150°NC FASTON 90°	THERMOSTAT 150°NC FASTON 90°	THERMOSTAT 150	Thermosatast 150°C	TERMOSTATO 150°NC FASTON 90°
18	U023.020	VITE TCEI M6x20 UNI 5931 8.8 ZIN	SCREW TCEI M6x20 UNI 5931 ZIN	VIS M6x20	Zylinderschraube M6x20 DIN 912 verz	VITE TCEI M6x20 UNI 5931 8.8 ZIN
19	NE15.031	LINGUETTA MASCHIO PIANA 6.3 D.6.	MALE TONGUE PLAIN 6.3 D.6.3	LANGUETTE DE TERRE 6.3 D.6.3	Schutzleiteranschluss zu Schraube	LINGUETTA MASCHIO PIANA 6.3 D.6.
20	11011454	RACCORDO A T X CALDAIA TEA	"CONNECTOR FOR BOILER TEA"	ELECTROVANN OLAB 3 VOIES 24V DC	Elektroventil OLAB P8 24V DC TEA	RACCORDO A T X CALDAIA TEA
21	11023762	ELETTROVALVOLA 3 VIE 24V DC DC	ELECTROVALVE OLAB 3 WAYS 24V DC	ELECTROVANN ODE 3 VOIES 24V DC	Elektroventil ODE P8 24V DC	ELETTROVALVOLA 3 VIE 24V DC DC
22	11032408	ELETTROVALVOLA 3 VIE 24V DC	ELECTROVALVE ODE 3 WAYS 24V DC	ELECTROVANN ODE 3 VOIES 24V DC	Elektroventil ODE P8 24V DC	ELETTROVALVOLA 3 VIE 24V DC
23	189428700	TERMOSTATO 175° INT-15L-5126	"TEFLON TUBE 3x6 L.310 1/8"-1"	HERMOSTAT 175° INT-15L-5126	Thermosatast Heizung Office One	TERMOSTATO 175° INT-15L-5126
24	11025297	ASS.TUBO TEFLON 3x6 L.310 1/8"-1"	"TEFLON TUBE 3x6 L.310 1/8"-1"	"ASS.TUBO TEFLON 3x6 L.310 1/8"-1"	Teflonschlauch 3x6 L.310mm / 1/8	"ASS.TUBO TEFLON 3x6 L.310 1/8"-1"
25	11030777	ISOLANTE SUP.CALDAIA 300CC VENDI	COFFEE BOILER 600CC UPPER ISOLAT	ISOLANT CHAUDIERE	Isolationswolle für Heißeischaube	ISOLANTE SUP.CALDAIA 300CC VENDI
26	11030779	ISOLANTE PERIMETR.CALDAIA 300CC	COFFEE BOILER 600CC UPPER ISOLAT	ISOLANT CHAUDIERE	Isolationswolle für Heißeischaube	ISOLANTE PERIMETR.CALDAIA 300CC
27	11002289	CORPO SUPERIORE M6 TEA	UPPER DOSER CASING M6 TEA	CORPS SUPERIEUR M6 TEA	Thermoblock Oberenteil M6 TEA	CORPO SUPERIORE M6 TEA
28	11000972	OR 3050 FKM 80 FD PEROXIDICA	OR 3050 FKM 80 FD PEROXIDICA	JOINT OR 3050 FKM 80 FD PEROXIDI	O-Ring 3050 PEROXID	OR 3050 FKM 80 FD PEROXIDICA
29	11007580	RESISTENZA CALDAIA 230V 1000W	RES CALD. V230 W1000 INC.800	RESISTANCE 230V 1000W INC.800	Heizung 230V W1000	RESISTENZA CALDAIA 230V 1000W
30	11007593	RES.CALD. 120V 1000W INC.800	RES CALD. V120 W1000 INC.800	NON UTILISE POUR LA FRANCE ET LE	Heizung Cristallo/Rubino/Topazio	RES.CALD. 120V 1000W INC.800
31	11032817	MOTORIDUTTIN PLASTICA PACCO30 23	RATIOMOTOR 30 PACK 230/240-50	MOTEUR REDUCTEUR 230V	Getriebemotor 230/240-50	MOTORIDUTTIN PLASTICA PACCO30 23
32	11032818	MOTORIDUTTIN PLASTICA PACCO 30	RATIOMOTOR 30 PACK 120/60	MOTEUR REDUCTEUR 120/60	Getriebemotor 120/60	MOTORIDUTTIN PLASTICA PACCO 30
33	11032819	MOTORIDUTTIN PLASTICA PACCO 30	RATIOMOTOR 30 PACK 220/60	MOTEUR REDUCTEUR 220/60	Getriebemotor 220/60	MOTORIDUTTIN PLASTICA PACCO 30
34	NM04.010	OR ORM 0730-40 FPM 70 +-5 IRHD N	OR ORM 0730-40 FPM 70 +-5 IRHD BL	JOINT DE CHAUDIERE OR ORM 0730-4	O-Ring 0730-40 FPM 70 +-5 IRHD N	OR ORM 0730-40 FPM 70 +-5 IRHD N
35	9011.226	CORPO INFERIORE M6 VENDING TEA	LOWER OVERSIZE CASING M6 VENDING	CORPS INFERIEUR DE CHAUDIERE M6	Thermoblock-Unterteil M6	CORPO INFERIORE M6 VENDING TEA
36	9991.012.050	CAMMA X MOTORIDUTTORE NERA	CAM FOR RATIOMOTOR BLACK	CAME MOTEUR REDUCTEUR	Doppelbockenschleibe schwarz	CAMMA X MOTORIDUTTORE NERA
37	128310404	ROSETTA UNI 8842 A4 BRUNITA	WASHER UNI 8842 A4 BURKISHED	RONDELLE UNI 8842 A4	Fächerschleibe A4 3 DIN 6798 verz	ROSETTA UNI 8842 A4 BRUNITA
38	128310404	VITE TCB M4X10 UNI 7687 ZNP	TCB SCREW M4X10 UNI 7687 ZNP	RONDELLE DENT. 3.3X5.8 UNI 3703	Schraube M4x10	VITE TCB M4X10 UNI 7687 ZNP
39	129824002	ROSETTA DENT. 3.3X5.8 UNI 3703 Z	TOOTHED WASHER 3.3X5.8 UNI 3703	RONDELLE DENT. 3.3X5.8 UNI 3703	FEDERRING 3,3x5,8	ROSETTA DENT. 3.3X5.8 UNI 3703 Z
40	U302.002	DADO ESAGONALE M3 UNI 5588 ZNP	nut HEXAGONAL M3 UNI 5588	ECROU M3 UNI 5588 ZNP	Mutter M3	DADO ESAGONALE M3 UNI 5588 ZNP
41	NE05.066	MICROINTERRUTTORE CROUZET	MICROSWITCH CHERRY D419Q1A	MICRO INTERRUPTEUR CROUZET	Mikroschalter, Getriebemotor Chris	MICROINTERRUTTORE CROUZET
42	9991.014	CARTONCINO X MICROINTERRUTTORE	CARD FOR MICRO SWITCHES	PLAQ.SUPP.MICRO INTERRUPT	Isolationssschleibe	CARTONCINO X MICROINTERRUTTORE
43	129825502	VITE TCB M4x25 UNI 7687 ZNP	TCB SCREW M4X25 UNI 7687 ZNP	VIS TCB M4X25 7687	Linsenschraube M4x25 DIN 7985 ve	VITE TCB M4X25 UNI 7687 ZNP
44	129511903	VITE TCB 2,9x6,4 DIN 7981 BZ NIK	SCREW TCB 2.9X6.4 DIN 7981 BZ NI	VIS TCB 2.9X6.4 DIN 7981 BZ NICK	Blechschraube 2,9x6,4 NIK	VITE TCB 2,9X6,4 DIN 7981 BZ NIK
45	11004288	PROTEZIONE X MOTORIDUTTORE BEI	BEIGE CENTRAL UNIT MOTOR CARTER	CARTER DE PROTECTION BEIGE	SCHUTZABDECKUNG GETRIEBEMOTOR	PROTEZIONE X MOTORIDUTTORE BEI
46	11014251	SQUADRETTA RIPARO MOTORIDUTTORE	CENTRAL UNIT MOTOR STEEL CARTER	CARTIER UNITE MOTEUR	Schutzwinkel Getriebemotor	SQUADRETTA RIPARO MOTORIDUTTORE
47	NV01.007	PIEDINO ADESSIVO	ADHESIVE FOOT	PIED ADHESIF	Geräteeuß selbstklebend	PIEDINO ADESSIVO
48	U034.001	VITE TCI M3,0x30 UNI 6107 ZNP	screw TCI M3,0x30 UNI 6107 GALV.	VIS TCI M3,0x30UNI6107 ZNP	Zylinderschraube M3x30 DIN 84 verz.	VITE TCI M3,0x30 UNI 6107 ZNP
49	9991.015	PIASTRINA X MICRO	PLATE FOR MICRO	PLAQUETTE MICRO INTERRUPT	Montageblech für Mikroschalter	PIASTRINA X MICRO
50	9991.013	GIUNTO X MOTORIDUTTORE	JOINT FOR RATIOMOTOR	PIGNON MICRO REDUCTEUR	Kupplung GServiceiebemotor P5 A	GIUNTO X MOTORIDUTTORE
51	11023100	ASS.MOTORIDUTTORE X DA 230V BLK	RATIOMOTOR ASS. DA 230V BLK	ENS. MOTOR REDUCTEUR 230V	Getriebemotor kpl. 230V P7P-10	ASS.MOTORIDUTTORE X DA 230V BLK
52	11023101	ASS.MOTORIDUTTORE X DA 120V BLK	RATIOMOTOR ASS. DA 120V BLK	ENS. MOTOR REDUCTEUR 120V	Getriebemotor kpl. 120V P7P-10	ASS.MOTORIDUTTORE X DA 120V BLK
53	11023148	ASS.MOTORIDUTTORE X DA 220V 60HZ	RATIOMOTOR ASS. DA 220V 60HZ BLK	ENS. MOTOR REDUCTEUR 220V 60HZ	Brüngenpannenrieb 220V	ASS.MOTORIDUTTORE X DA 220V 60HZ
54	9120.044.00A	ASS.MOTORIDUTTORE X DA 230V	RATIOMOTOR ASS. DA 230V	ENS. MOTOR REDUCTEUR 230V	Getriebemotor kpl. 230V P7P-10	ASS.MOTORIDUTTORE X DA 230V
55	9120.044.00F	ASS.MOTORIDUTTORE X DA 120V	RATIOMOTOR ASS. DA 120V	NON UTILISEE PAR LA FRANCE ET BE	BRÜHERANTRIEB KOMPLETT 120V	ASS.MOTORIDUTTORE X DA 120V
56	9120.044.00N	ASS.MOTORIDUTTORE X DA 220V 60HZ	RATIOMOTOR ASS. DA 220V 60HZ	NON UTILISEE PAR LA FRANCE ET BE	Brüngenpannenrieb 220V	ASS.MOTORIDUTTORE X DA 220V 60HZ
57	9111.501	VITE TE M5,0x10 C/RONDRELLA	INSULATION WASHER	RONDELLE ISOLANTE	Isolierschleibe	VITE TE M5,0x10 C/RONDRELLA
58	U046.005	GODRONE FEMMINA M14	KNURLED FEMALE HAND BOLT M14	ECROU M14	Schraube M 5x10 mit Unterlegsche	GODRONE FEMMINA M14
59	11005743	BOCCOLA ESTERNA D.6 X GODRONE	CONNECTOR D.6	OGIVE EXTERNE D.6	Klemmülse Vorheizung C600	BOCCOLA ESTERNA D.6 X GODRONE
60	U302.003	DADO ESAGONALE M4 UNI 5589 ZN	O-RING HEXAGONAL M4 UNI 5589 Z	ECROU HEXAGONAL M4 UNI 5589 ZN	Mutter M4 UNI 5589 ZN	DADO ESAGONALE M4 UNI 5589 ZN
61	140321462	OR 2018 SILICONE	G-RING 2018 SILICONE	JOINT 2018	O-Ring 2018 Silikon	OR 2018 SILICONE
62	11005639	PIASTRA SUPPORTO CALDAIA	SUPPORT PLATE BOILER	PLAQUEE SUPPORT CHAUDIERE	Montageplatte Boiler	PIASTRA SUPPORTO CALDAIA
63	U324.003	DADO M5 FLANGIATO BASE DENTELLAT	NUT M5 FLANGED INDENTED BASE	ECROU	Mutter M5 mit Flansch	DADO M5 FLANGIATO BASE DENTELLAT
64	U109.037	VITE AUT.TCB 4,8x13 DIN 7981 C N	screw AUT.TCB 4.8X13 DIN 7981 C	PIPETTE DE CHAUDIERE	Schraube TCB 4,8x13 DIN 7981 NIK	VITE AUT.TCB 4,8X13 DIN 7981 C N
65	11005370	PERNO X MANICOTTO	PIN FOR MUFF	VENTILZAPFEN C600	Ventilzapfen C600	PERNO X MANICOTTO
66	11013173	OR ORM 0090-20 FKM 80 FD VERDE P	OR ORM 0090-20 FKM 80 FD GREEN P	JOINTS ORM 0090-20 FKM 80 FD VER	O-Ring 0090-20 FKM 80 FD grün V	OR ORM 0090-20 FKM 80 FD VERDE P

N.POSI	COD	I - DESCRIZIONE	UK - DESCRIPTION	F - DESCRIPTION	D - BEZEICHNUNG	E - DESCRIPCION	NOTE
54	11013174	OR ORM 0050-20 FKM 80 FD VERDE P	OR ORM 0050-20 FKM 80 FD GREEN P	JOINTS ORM 0050-20 FKM 80 FD VER	O-Ring 0050-20 FKM 80 FD grun Vi	OR ORM 0050-20 FKM 80 FD VERDE P	solo UL
55	11025323	ASS.CALD.HS1 DOO DIAMANTE TEA 12	ASS.BOILER COMBI SNACK M6 120V U	ENS.CALD.HS1 DOO DIAMANTE TEA 12	THERMOBLOCK KOMPLETT M6 T/ 120V-	ASS.CALD.HS1 DOO DIAMANTE TEA 12	fino mat. 9014DCS0021202
55	11032610	ASS.CALD.HS1 DOO DIAMANTE ODE 23	ASS.BOILER COMBI SNACK M6 230V	ENS.CHAUD.DIAMANTE TEA 230V HS1	THERMOBLOCK KOMPLETT M6 T/ 230V-	ASS.CALD.HS1 DOO DIAMANTE ODE 23	da matr. 9014DCS0021203
56	11006372	PORTAANTERIORE RUJUA CRISTALLO4	FS400 DOOR	ENS.CHAUDIÈRE HS1 DOO DIAMANTE O	Boiler:kpl:HS1 DOO DIAMANTE ODE		
57	9140.006.00A	ASS.MACINACAFFE +DOS.DA 7P 230V	COFF GRINDER+DOSEUR ASS.DA 7P 230	DOSEUR COMPLET DA 7P 230V	COFF GRINDER+DOSEUR DA 7P 230V	ASS.DOSAT.CAFFE DA 7P 220V	7 grammi - 230V
57	9140.006.00F	ASS.MACINACAFFE +DOS.DA 7P 120V	COFF GRINDER+DOSEUR ASS.DA 7P 120	NON UTILISEE PAR LA FRANCE ET BE	DOSIERER KPLT 7,5 G / 120V	ASS.DOSAT.CAFFE DA 7P 120V	7 grammi - UL
57	9140.006.00N	ASS.MACINACAFFE +DOS.DA 7P 220V/6	COFF GRIND+DOSEUR ASS.DA 7P 220V/6	ENS DOSEUR PAR LA FRANCE ET BE	Dosierereinheit kpl. 220V 60Hz	ASS.DOSAT.CAFFE DA 7P 220V 60HZ	7 grammi
57	9140.015.00A	ASS.MACINAC.+DOS.DA7P JACOBS 230	COFF GRIND-DOS. ASS.DA7P JACOBS	ENS DOSEUR COMPLET 9GR.230V	Dosierer 9 gr. kpl. 230 V	ASS.DOSATORE CAFFE DA7P 9 GR.230	7 grammi
57	9140.015.00F	ASS.MACINAC.+DOS.DA7P JACOBS 120	COFFEE DOSER ASS.DA 7P 230V	NON UTILISEE PAR LA FRANCE ET BE	DOSIERER KPLT 9G / 120 V	ASS.DOSATORE CAFFE DA7P 9 GR.120	9 grammi
58	9160.001.06A	ASS.DOSAT.CAFFE DA 7P 220V	COFFEE DOSER ASS.DA 7P 220V	PIVOT POUR CHAUDIERE	DOSIERER KPLT 9G / 120 V	PERNO X CALDAIA	
58	9160.001.06F	ASS.DOSAT.CAFFE DA 7P 120V	COFFEE DOSER ASS.DA 7P 120V	VIS M4,0X12 UNI 7688 GALV	Senkschraube M4x12 DIN 965 verz.	PERNO X CALDAIA	
58	9160.025.06A	ASS.DOSATORE CAFFE DA7P 9 GR.230	COFFEE DOSER ASS.DA 7P 9 GR. 230	AXE FIXATION MICRO	SICHERUNGSRING d=3 zu Bolzen verz	PERNO X FISSAGGIO MICRO	
58	9160.025.06F	ASS.DOSATORE CAFFE DA7P 9 GR.120	PEG FOR BOILER	RONDELLE D.3 QUICKLOCK ZINC	COFF GRINDER+DOSEUR DA 7P 230V	ANIELLO X PERNI D.3 QUICKLOCK ZINC	
59	U044.013	VITE TSPC M4,0X12 UNI 7688 ZNP	screw TSPC M4,0X12 UNI 7688 GALV	MICRO DOSEUR	Dosierer kpl. 230V braun	PERNO X FISSAGGIO MICRO	
60	9161.007	PERNO X FISSAGGIO MICRO	ring FOR FIXING MICRO	ECRO AUTOBLOC.M3 UNI 7473 ZNP	DOSIERER KPLT 7,5 G / 120V	MICRO DOSATORE N.V.	
62	NF13.006	ANIELLO X PERNI D.3 QUICKLOCK ZINC	RING FOR PIN D.3 QUICKLOCK ZINC	RESSORT DE VIS DE REGLAGE	DOSIERER KPLT 7,5 G / 120V	MICRO DOSATORE N.V.	
63	NE05.058	MICRO DOSATORE N.V.	DOSEUR MICRO N.V.	RONDELLE 3,2X7 UNI 6592 ZNP	DOSIERER KPLT 7,5 G / 120V	MICRO DOSATORE N.V.	
64	U310.001	DADO AUTOBLOC.M3 UNI 7473 ZINC.	GALVSELF LOCK. NUT M3 UNI 7473	ENTRETOISE AXE DE REGULATION	DOSIERER KPLT 7,5 G / 120V	DADO AUTOBLOC.M3 UNI 7473 ZINC.	
65	126762318	MOLLA X REGOLAZIONE DOSE DOSATOR	SPRING FOR DOSAGE ADJUST. DOSER	BOBINE DOSEUR 230V	DOSIERER KPLT 7,5 G / 120V	MOLLA X REGOLAZIONE DOSE DOSATOR	
66	U207.003	ROSETTA PIANA 3,2X7 UNI 6592 ZNP	PLAIN WASHER 3,2X7 UNI 6592 GALV	NON UTILISEE PAR LA FRANCE ET BE	DOSIERER KPLT 7,5 G / 120V	ROSETTA PIANA 3,2X7 UNI 6592 ZNP	
67	9161.009	DISTANZIALE X PERNO REGOLAZIONE	SPACE FOR REGULATION PIN	AXE DE REGULATION MICRO	DOSIERER KPLT 7,5 G / 120V	DISTANZIALE X PERNO REGOLAZIONE	
68	9129.A01.00A	ASS.BOBINA DOSAT.CAFFE 230V	COFFEE DOSER COIL ASS.230V	DOSEUR SUPPORT BROWN	DOSIERER KPLT 7,5 G / 120V	ASS.BOBINA DOSAT.CAFFE 230V	
68	9129.A01.00F	ASS.BOBINA DOSAT.CAFFE 120V	COFFEE DOSER COIL ASS.120V	MYLAR GUARD FOR MICROBATCHER	DOSIERER KPLT 7,5 G / 120V	ASS.BOBINA DOSAT.CAFFE 120V	
68	9129.A01.00N	ASS.BOBINA DOSAT.CAFFE 220V 60HZ	COFFEE DOSER COIL ASS.220V 60HZ	ELASTIC PIN 3,0X8 UNI 6873	DOSIERER KPLT 7,5 G / 120V	ASS.BOBINA DOSAT.CAFFE 220V 60HZ	
69	9161.006	PERNO X REGOLAZIONE MICRO	PIN FOR REGULATION MICRO	DOSEUR SUPPORT BROWN	DOSIERER KPLT 7,5 G / 120V	PERNO X REGOLAZIONE MICRO	
70	9161.001.060	SUPPORTO DOSATORE MARRON	DOSEUR SUPPORT BROWN	DOSEUR DOOR.PLA. BROWN	DOSIERER KPLT 7,5 G / 120V	SUPPORTO DOSATORE MARRON	
71	9161.361	PROTEZIONE MYLAR X MICRO DOSATOR	MYLAR GUARD FOR MICROBATCHER	PISTON POUR BOBINE	DOSIERER KPLT 7,5 G / 120V	PROTEZIONE MYLAR X MICRO DOSATOR	
72	U406.001	SPINA ELASTICA 3,0X8 UNI 6873	ELASTIC PIN 3,0X8 UNI 6873	AXE 3X8 UNI 6873	DOSIERER KPLT 7,5 G / 120V	SPINA ELASTICA 3,0X8 UNI 6873	
73	9161.011	PISTONE X MAGNETE	PISTON FOR MAGNET	PLAQUE POUR PORTE DOSEUR	DOSIERER KPLT 7,5 G / 120V	PISTONE X MAGNETE	
74	147570100	PIASTRINA MARRON X SPORTELD.DOSAT	DOSEUR DOOR.PLA. BROWN	AXE MARRON	DOSIERER KPLT 7,5 G / 120V	PIASTRINA MARRON X SPORTELD.DOSAT	
75	9161.010.060	PERNO MARRON	PIN BROWN	CORPS DOSEUR MARRON MODIFIE	DOSIERER KPLT 7,5 G / 120V	PERNO MARRON	
76	9161.131.060	CORPO DOSATORE MARRON MODIFICATO	MODIFIED DOSEUR CASING BROWN	CORPS DOSEUR 9GR. GRIS	DOSIERER KPLT 7,5 G / 120V	CORPO DOSATORE MARRON MODIFICATO	
76	9161.219.150	CORPO DOSATORE 9 GR.GRIGIO MOD.	DOSEUR CASING 9 GR. GREY MODIFIED	RESSORT DE DOSEUR	DOSIERER KPLT 7,5 G / 120V	CORPO DOSATORE 9 GR.GRIGIO MOD.	
77	9161.005	MOLLA X SPORTELO DOSATORE	SPRING FOR DISPENSER DOOR	RESSORT DE DOSEUR	DOSIERER KPLT 7,5 G / 120V	MOLLA X SPORTELO DOSATORE	
78	U109.006	VITE AUT.TCB 2,2X9,5 DIN 7981 C	screw AUT.TCB 2,2X9,5 DIN 7981 C	MOTEUR MOUTURE 220/230V	DOSIERER KPLT 7,5 G / 120V	VITE AUT.TCB 2,2X9,5 DIN 7981 C	
79	9140.001.00A	ASS.MOTORE MACINACAFFE 220/230V	COFFEEGRINDER MOTOR ASS.220/230V	NON UTILISEE PAR LA FRANCE ET LE	DOSIERER KPLT 7,5 G / 120V	ASS.MOTORE MACINACAFFE 220/230V	
79	9140.001.00F	ASS.MOTORE MACINACAFFE 120V	COFFEEGRINDER MOTOR ASS.120V	GARNITURE MOULIN A CAFE	DOSIERER KPLT 7,5 G / 120V	ASS.MOTORE MACINACAFFE 120V	
80	0862.108	GUARNIZIONE X CONTENITORE CAFFE'	SEAL FOR COFFEE CONTAINER	ANNEAU REGLAGE DE MOUTURE	DOSIERER KPLT 7,5 G / 120V	GUARNIZIONE X CONTENITORE CAFFE'	
81	9141.013.060	MANOPOLA SERIGRAFATA MARRON	S/SCREENED KNOB BROWN	VIS TCBM3X8UNI 7687 ZNP	DOSIERER KPLT 7,5 G / 120V	MANOPOLA SERIGRAFATA MARRON	
82	U043.007	VITE TBC M3,0X8 UNI 7687 ZNP	screw TBC M3,0X8 UNI 7687 GALV.	FLECHE ADHESIVE	DOSIERER KPLT 7,5 G / 120V	VITE TBC M3,0X8 UNI 7687 ZNP	
84	0701.954	FRECCIA ADESSIVA	ADHESIVE ARROW	JOINT NBR 3187	DOSIERER KPLT 7,5 G / 120V	FRECCIA ADESSIVA	
84	9141.008	VITE DI REGOLAZIONE MANOPOLA	KNOB ADJUSTMENT SCREW	MEULE D.43	DOSIERER KPLT 7,5 G / 120V	VITE DI REGOLAZIONE MANOPOLA	
85	140321560	OR 3187 NBR	O-RING 3187 NBR	SUPPORT DE MEULE	DOSIERER KPLT 7,5 G / 120V	OR 3187 NBR	
86	9141.081	MACINA PIANA D.43	FLAT MILL D.43	MOTOR ASS.WITH CAP 120V	DOSIERER KPLT 7,5 G / 120V	MACINA PIANA D.43	
87	9141.001	VITE DI INCREMENTO MC IN OTTONE	BRASS INCREMENT SCREW MC	MOTOR BRUSH	DOSIERER KPLT 7,5 G / 120V	VITE DI INCREMENTO MC IN OTTONE	
88	9141.007	VENTOLINA	FAN	MOTOR ASS.WITH CAP 230V	DOSIERER KPLT 7,5 G / 120V	VENTOLINA	
89	9140.002.00A	ASS.MOTORE CON CALOTTA 230V	MOTOR ASS.WITH CAP 230V	MOTOR ASS.WITH CAP 120V	DOSIERER KPLT 7,5 G / 120V	ASS.MOTORE CON CALOTTA 230V	
89	9140.002.00F	ASS.MOTORE CON CALOTTA 120V	MOTOR ASS.WITH CAP 120V	MOTOR BRUSH	DOSIERER KPLT 7,5 G / 120V	ASS.MOTORE CON CALOTTA 120V	
90	0701.R34	SPAZZOLA MOTORE MACINACAFFE	MOTOR BRUSH	KNOB PIN	DOSIERER KPLT 7,5 G / 120V	SPAZZOLA MOTORE MACINACAFFE	
91	9141.005	PERNO MANOPOLA	KNOB PIN	SPRING FOR KNOB STOP PIN (H=19)	DOSIERER KPLT 7,5 G / 120V	PERNO MANOPOLA	
92	126769118	MOLLA X PERNO FERMA MANOPOLA (H=	SPRING FOR KNOB STOP PIN (H=19)	ZN-B TCB SCHREW M4X16	DOSIERER KPLT 7,5 G / 120V	MOLLA X PERNO FERMA MANOPOLA (H=	
93	U2002052	VITE TCB M4X16 ZN-B	ZN-B TCB SCHREW M4X16	PLAIN WASHER 4,3X9 UNI 6592 GAL	DOSIERER KPLT 7,5 G / 120V	VITE TCB M4X16 ZN-B	
94	U207.002	ROSETTA PIANA 4,3X9 UNI 6592 ZNP	PLAIN WASHER 4,3X9 UNI 6592 GAL	SPACER FOR RUBBER	DOSIERER KPLT 7,5 G / 120V	ROSETTA PIANA 4,3X9 UNI 6592 ZNP	
95	9141.003	DISTANZIALE X GOMMINO	SPACER FOR RUBBER	RUBBER FOR COFFEE GRINDER	DOSIERER KPLT 7,5 G / 120V	DISTANZIALE X GOMMINO	
96	9991.005	GOMMINO X MACINACAFFE	RUBBER FOR COFFEE GRINDER	MOTOR PROTECTION CASING BROWN	DOSIERER KPLT 7,5 G / 120V	GOMMINO X MACINACAFFE	
97	9141.014.060	CARTER PROTEZIONE MOTORE MARRON	MOTOR PROTECTION CASING BROWN	screw AUT.TCB 3,9X13 DIN 7981 C	DOSIERER KPLT 7,5 G / 120V	CARTER PROTEZIONE MOTORE MARRON	
98	U109.016	VITE AUT.TCB 3,9X13 DIN 7981 C N	screw AUT.TCB 3,9X13 DIN 7981 C		DOSIERER KPLT 7,5 G / 120V	VITE AUT.TCB 3,9X13 DIN 7981 C N	



N.POSI	COD	I - DESCRIZIONE	UK - DESCRIPTION	F - DESCRIPTION	D - BEZEICHNUNG	E - DESCRIPCION	NOTE
1	NF11.026	RIVETTO AD ESPANSIONE D.3.9X8 AL	EXPANSION RIVET D.3.9X8 ALU.	RIVET D'EXPANSION D.3.9X8 ALU.	Niete d=3.9 mm x 8	RIVETTO AD ESPANSIONE D.3.9X8 AL	da matr. 9015DCS0021509
2	U109.013	TETCB 3.5X13 UNI 6954 NIK	SCREW TCB 3.5X13 UNI 6954 NIK	PROTECTION TCB 3.5X13 DIN 7981 C	Linsen-Blechschr. 3.5x13 DIN 7981	TETCB 3.5X13 UNI 6954 NIK	da matr. 9015DCS0021508
3	0875.092	PROTEZIONE ANTERIORE	FRONT PROTECTION	PROTECTION SUPERIEUR	Schutzabdeckung vorne	PROTEZIONE ANTERIORE	
4	0875.094	CERNIERA	HINGE	CORNIERE	Scharnier	CERNIERA	
5	0875.091	PROTEZIONE INFERIORE	LOWER PROTECTION	PROTECTION INFERIEUR	Schutzabdeckung unten	PROTEZIONE INFERIORE	
6	U110.004	VITE AUT.TCB 3.5X6.5 DIN 7981 F	screw AUT.TCB 3.5X6.5 DIN 7981 F	ASS CONT GLASS+ASS DISP GLASS D.	Schraubte 3.5X6.5 DIN 7981 F	VITE AUT.TCB 3.5X6.5 DIN 7981 F	
7	9110.108.00P	ASS CONT BICCH + ASS.DISTR. BICCH.	ASS CONT GLASS+ASS DISP GLASS D.	NON UTILISEE PAR LA FRANCE ET BE	Becherspender/-behälter kpl	ASS CONT BICCH+ASS.DISTR.BICCH.	
7	9110.155.00P	ASS CONT+DISTR. BICCH.COMBI D73 P	ASS CONTAINER+GLASSES DISPENSER	NON UTILISEE PAR LA FRANCE ET BE	BECHERSPENDER/-BEHÄLTER KPLT. D=	ASS CONT+DISTR.BICCH.COMBI D73 P	
8	11005.156	AGGANCIO X SPORT.CONTENITTORE BIC	DOOR HOOKUP CONTAINER CUP	CLIPS PORTILLON Gobelets COMBI	DOOR HOOKUP CONTAINER CUP	AGGANCIO X SPORT.CONTENITTORE BIC	
9	0875.240	SGANCIA GUIDA BICCHIERI	CUP GUIDE RELEASE	SORTIE GUIDE TASSE	Abklappung Becherführung	SGANCIA GUIDA BICCHIERI	
10	U701.011	ANELLO ELASTICO 5 UNI 7434 ACC.	CUP SPACER	ANNEAU	Sicherungsring ø5 elastisch	ANELLO ELASTICO 5 UNI 7434 ACC.	
11	0875.248	BOCCOLA X ASTA GUIDA BICCH.	STEEL SNAP RING 5 UNI 7434	CACHE	Hülse zu Becherführung	BOCCOLA X ASTA GUIDA BICCH.	
12	0875.096	MAGNETE D.12 X 14	BUSH FOR LOCK CUP GUIDE	SUPPORT GUIDE	Support zu Becherführung	MAGNETE D.12 X 14	
13	1001.034	GUIDA BICCHIERI	MAGNET D.12 X 14	AIMANT	Magnet d=12mm, l=14mm Tür PR	GUIDA BICCHIERI	
15	0875.083	ASTA X GUIDA	CUP GUIDE	AXE	CUP GUIDE	ASTA X GUIDA	
16	0875.089	MOLLA X GUIDA BICCHIERI	ROD FOR STIRRER GUIDE	RESSORT GUIDE Gobelet	Feder zu Becherführung	MOLLA X GUIDA BICCHIERI	
17	U109.037	VITE AUT.TCB 4.8X13 DIN 7981 C N	spring AUT.TCB 4.8X13 DIN 7981 C	ENTRETOISE	Schraube TCB 4.8x13 DIN 7981 NIK	VITE AUT.TCB 4.8X13 DIN 7981 C N	
18	9991.196	DISTANZIALE X GUIDA	SPACER FOR GUIDE	ENTRETOISE	Abstandhalter zu Becherführung	DISTANZIALE BICCHIERI	
19	12982.002	CONTENITTORE BICCHIERI	CUP CONTAINER	CONTAINER Gobelet	Becherbehälter	CONTENITTORE BICCHIERI	
20	0875.090	VITE TCB M4X10 UNI 7687 ZNP	TCB SCREW M4X10 UNI 7687 ZNP	VIS TCB M4X10 UNI 7687	Schraube M4x10	VITE TCB M4X10 UNI 7687 ZNP	
21	1283.10404	ROSETTA UNI 8842 A4 BRUNITA	WASHER UNI 8842 A4 BURNISHED	RONDELLE UNI 8842 A4	Fächerscheibe A4, 3 DIN 6798 verz	ROSETTA UNI 8842 A4 BRUNITA	
22	NV01.001	PIEDINO ADESSIVO	ADHESIVE FOOT	PIED ADHESIF	Gerätefuß sz. selbstklebend	PIEDINO ADESSIVO	
23	0862.024	STAFFA SX CONT.BICCHIERI	LEFT BRACKET CUP CONTAINER	ETRIER GAUCHE	Halterung links zu Becherbehälter	STAFFA SX CONT.BICCHIERI	
24	0862.023	STAFFA DX CONT.BICCHIERI	RIGHT BRACKET CUP CONTAINER	ETRIER DROIT	Halterung rechts zu Becherbehälter	STAFFA DX CONT.BICCHIERI	
25	0875.360	DADO ESAGONALE M4 UNI 5889 ZN	GALVANUT HEXAGONAL M4 UNI 5889 Z	ECKOU HEXAGONAL M4 UNI 5889 ZN	Mutter M4 UNI 5889 ZN	DADO ESAGONALE M4 UNI 5889 ZN	
26	U109.039	VITE AUT.TCB 3.5X44 DIN 7981 C N	screw AUT.TCB 3.5X44 DIN 7981 C	VIS AUT.TCB 3.5X44 DIN 7981 C	Linsen-Blechschr. 3.5x44 DIN 798	VITE AUT.TCB 3.5X44 DIN 7981 C N	
27	0875.269	SQUADRETTA POSIZIONAM GUIDA PALE	POSIT. SQUARE GUIDE PANS	CORNIERE	Halterung zu Rührstäbchenführung	SQUADRETTA POSIZIONAM GUIDA PALE	
28	0875.448	CARTER PROTEZIONE DISTRIB.BICCHI	CUP DISTR. PROTECTIVE CASING	CORNIERE L.115	WINKEL ZU FÜHRUNGSSTANGE L=115	CARTER PROTEZIONE DISTRIB.BICCHI	
29	0875.223	ASS.DISTR.BICCHIERI DIAMANTE 2BR	CUP DISTRIBUTOR DIAMANTE 25RPM D	ENS. Gobeletteuse DIAMANTE 25RPM	Schutzabdeckung Becherspender	ASS.DISTR.BICCHIERI DIAMANTE 2BR	
30	11033205	ASS.DISTR.BICCHIERI D70	CUP DISTRIBUTOR D70	DISTRIBUTEUR Gobelet D70	Becherspender kpl. L=73	ASS.DISTR.BICCHIERI D70	
31	U101.106.00P	ASS.DISTRIBUTORE BICCHIERI COMB.	CUP DISTRIBUTOR ASS COMB. D.73	ENS. Gobeletteuse COMBI D.73	Becherspender kpl. L=73	ASS.DISTRIBUTORE BICCHIERI COMB.	
31	9110.152.00P	ASS.DISTRIBUTORE BICCH.COMBI N.V	CUP DISTRIBUTOR ASS COMB. N.V.	DISTRIBUTEUR Gobelet COMBI EURO P	Becherspender kpl.Combi Snack	ASS.DISTRIBUTORE BICCH.COMBI N.V	
32	NF11.002	FASCETTA AUTOBLOC.W=2.5 L=98 BIA	SELF LOCK STRIP W=2.5 L=98	ATTACHE	Kabelbinder RTA Art. 5203	FASCETTA AUTOBLOC.W=2.5 L=98 BIA	
33	9111.259	TAPPO COLONNA	COLUMN CAP	CAPOT COLONNE	Abdeckung Becherschacht	TAPPO COLONNA	
34	9110.044	ASS.CONTENITTORE BICCHIERI	CUP CONTAINER ASS.	ENSEMBLE CONTAINER Gobelet	Becherbehälter kpl. Combi Snack	ASS.CONTENITTORE BICCHIERI	
34	9110.154	ASS.CONT.BICCHIERI COMBI PAL.115	CUP CONTAINER ASS.	ENSEMBLE CONTENNAIRE Gobelet PAL.	Becherbehälter kpl. Combi Snack	ASS.CONT.BICCHIERI COMBI PAL.115	
35	0875.101	COLONNA BICCHIERI	CUP COLUMN	COLONNE Gobelet	Becheraufnahme	COLONNA BICCHIERI	
36	9111.257	CORONA ROTAZIONE COLONNA	COLUMN ROTATION CROWN	COURONNE DE ROTATION	Kranz Rotation Becherrohr P8 / C	CORONA ROTAZIONE COLONNA	
37	9111.322	PIGNONE ROTAZ. COLONNA	COLUMN ROTATION PINION	PIGNON ROTATION COLONNE	Zahnrad Rotation Becherrohr	PIGNONE ROTAZ. COLONNA	
38	NE05.002	MICROINTERRUTTORE	PLANETARY SWITCH	MICRO MOTEUR REDUC.DA5P	Microschalter 3-polig P7/P8/P10	MICROINTERRUTTORE	
39	9111.264.050	SATELLITE USA	PLANETARY GEAR USA	GALET Gobeletteuse D=29.6MM	Exzenterwelle FÜR USA	SATELLITE USA	
39	9111.749	SATELLITE DIAMETRO 29.6 MM	CUP RELEASE PINION	ENGRENAGE Gobeletteuse DA8P	Exzenterwelle d=29.6	SATELLITE DIAMETRO 29.6 MM	
40	9111.261	PIGNONE SGANCIO BICCHIERI	MICROSWITCH CUP RELEASE	MICROCONTACT	Zahnrad Becherausgabe P8	PIGNONE SGANCIO BICCHIERI	
41	NE05.056	MOTORIDUTTORE SGANCIO BICCHI	GEARWORM MECHTEX 25 RPM	MOTEUR POUR MECHTEX 25 RPM	Microschalter	MOTORIDUTTORE SGANCIO BICCHI	
42	11033.191	MOTORIDUTTORE MECHTEX 25 RPM	COLUMN ROTATION RATIONMOTOR	MOTEUR ROTATION COLONNE	Motor Bechermondul P8	MOTORIDUTTORE MECHTEX 25 RPM	
42	9121.152.00P	MOTORIDUTTORE ROTAZ. COLONNA	COLUMN ROTATION RATIONMOTOR	MOTEUR ROTATION COLONNE	Gehäuseunterteil	MOTORIDUTTORE ROTAZ. COLONNA	
43	11033.194	CARTER INF.DISTR.BICCH.9111.255	LOWER CASING CUP DISTR.	CARTER INFERIEUR Gobeletteuse DA8	Gehäuseunterteil	CARTER INF.DISTR.BICCH.9111.255	
43	9111.255	CARTER INF.DISTR.BICCHIERI	LOWER CASING CUP DISTR.	CARTER INFERIEUR Gobeletteuse DA8	Gehäuseunterteil	CARTER INF.DISTR.BICCHIERI	
44	11033.192	MOTORIDUTTORE MECHTEX 9 RPM	GEARWORM MECHTEX 9 RPM	MOTEUR MECHTEX 9 RPM	Getriebemotor MECHTEX 9 RPM	MOTORIDUTTORE MECHTEX 9 RPM	
44	9121.154.00P	MOTORIDUTTORE SGANCIO BICCH.COMBI D	CUP RELEASE RATIONMOTOR COMBI	MOTEUR POUR MECHTEX 9 RPM	Motor Becherausgabe 24V 50Hz DC	MOTORIDUTTORE SGANCIO BICCH.COMBI D	
45	U110.002	VITE AUT.TCB 3.5X13 DIN 7981 F Z	screw AUT.TCB 3.5X13 DIN 7981 F	VIS TCB 3.5X13	Linsen-Blechschr. 3.5x13 DIN 7981	VITE AUT.TCB 3.5X13 DIN 7981 F Z	
45	U110.003	VITE AUT.TCB 3.5X9.5 DIN 7981 F	screw AUT.TCB 3.5X9.5 DIN 7981 F	VIS AUT.TCB 3.5X9.5 DIN 7981 F	Linsen-Blechschr. 3.5x9.5 DIN 79	VITE AUT.TCB 3.5X9.5 DIN 7981 F	
46	11033210	CUFFIA X MOTORIDUTTORE MECHTEK	HOOD FOR RATIONMOTOR MECHTEK	CAPOT POUR MOTOREDUCTEUR	Abdeckung Getriebemotor	CUFFIA X MOTORIDUTTORE MECHTEK	
46	9121.155	CUFFIA X MOTORIDUTTORE	HOOD FOR RATIONMOTOR	CAPOT POUR MOTOREDUCTEUR	Abdeckung Getriebemotor	CUFFIA X MOTORIDUTTORE	
47	9111.298	PIASTRINA MICRO BICCHIERI	CUP MICRO PLATE	ENTRETOISE	Montageplättchen Microschalter	PIASTRINA MICRO BICCHIERI	
48	9111.297	PERNO LEVA MICRO BICCHIERI	MICRO LEVER PIN	AXE DE LEVIER MICRO	Stift Fahne Microschalter	PERNO LEVA MICRO BICCHIERI	
49	9111.262	LEVA MICRO PRES.BICCHIERI	MICRO LEVER CUP PRESENCE	LEVIER MICRO PRES.Gobelets	Hebel Microschalter-Becher P8	LEVA MICRO PRES.BICCHIERI	
49	9111.514	LEVA PRESENZA BICCHIERI 073	AGITATING LEVER	MICROCONTACT	Fahne Microschalter	LEVA PRESENZA BICCHIERI 073	
50	NE05.054	MICROINTERRUTTORE CROUZET F83161	SWITCH CUP DISTR.	UPPER CONTACT	Microschalter Abschaltung Armbew	MICROINTERRUTTORE CROUZET F83161	
51	11033.195	CARTER SUP.DISTR.BICCH.9111.256	UPPER CASING CUP DISTR.	CARTER SUP.DISTRIB.Gobelets	Gehäuseoberteil	CARTER SUP.DISTR.BICCH.9111.256	
51	9111.256	CARTER SUP.DISTR.BICCHIERI	UPPER CASING CUP DISTR.	CARTER SUP.DISTRIB.Gobelets	Gehäuseoberteil	CARTER SUP.DISTR.BICCHIERI	
52	9111.258	CORONA SGANCIO BICCHIERI	CUP RELEASE CROWN	PIGNON Gobeletteuse	Zahnkranz Becherspender	CORONA SGANCIO BICCHIERI	
53	148601300	STRINGIFILO 151-28469	WIRE CLAMP	ATTACHE DE FIL	Befestigungsplättchen selbstkleb	STRINGIFILO 151-28469	
54	U110.012	VITE TC WN1412 /BN13577 ZINC BIA	SCREW TC WN1412 /BN13577 ZINC BI	VIS TC WN1412 /BN13577 ZINC BIA	SCREW TC WN1412 /BN13577 ZINC BI	VITE TC WN1412 /BN13577 ZINC BIA	



N.POSI	COD	I - DESCRIZIONE	UK - DESCRIPTION	F - DESCRIPTION	D - BEZEICHNUNG	E - DESCRIPCION
1	9110.043.00P	ASS.DISTRIB.PALETTE/ZUCCH.COMB.	DISTRIB.ASS. STIRRER /SUGAR COMB	DISTRIBUTEUR PALETTES/ SUCRE	Rührstäbchensp. m. Zuckerport. 89	ASS.DISTRIB.PALETTE/ZUCCH.COMB.
1	9110.149	ASS.DISTRIB.ZUCCHERO/PALETTE L=1	ASS.DISPENDER SUGAR L.105	DISTRIBUTEUR SUCRE/PALETTE L=105	Spender kpl. Rührstäbchen 105mm	ASS.DISTRIB.ZUCCHERO/PALETTE L=1
1	9110.149	ASS.DISTRIB.ZUCCH/PAL.COMBI L.115	ASS.DISPENDER SUGAR L.115MM	DISTRIBUTEUR SUCRE/PALETTE L=115	Rührstäbchenspendere L=115	
2	12002052	VITE TCB M4X16 ZN-B	ZN-B. TCB SCREW M4X16	VIS TCB M4X16UNI7687ZNP	LINSEN. BLECHSCHR. M4,0X16	VITE TCB M4X16 ZN-B
3	129516803	VITE TCB 3.5X19 DIN 7981 NIK	SCREW TCB3,5X19 DIN 7981 NICK	VIS 3.5*19DIN 7981	Linsen-Blechsch. 3.5x19 DIN 7981 N	VITE TCB 3.5X19 DIN 7981 NIK
4	9991.196	DISTANZIALE X GUIDE	SPACER FOR GUIDE	ENTRETOISE	Abstandhalter zu Beführung	DADO AUTOBLOC.M6 UNI 7473 ZNP
5	U310.004	DADO AUTOBLOC.M6 UNI 7473 ZNP	nut SELF LOCK.M6 UNI 7473	ECROU AUTOBLOC.M6. UNI 7473 ZNP	Sechskantmutter M6 DIN 985 verz.	
6	0875.105	BOCCOLA ROTAZ. GUIDA PALETTE	STIRRER GUIDE ROTATION BUSH	BAGUE ROTATION	Hülse zu Rührstäbchenspendere	
7	0875.105	PIASTRA SUPP.DISTRIB.PALETTE	SUPPORT PLATE STIRRER DISTRIBUTO	PLAQUE SUPPORT DISTRIB.PALETTE	Support zu Rührstäbchenspendere	
8	0875.114	MOLLA DI BLOCCAGGIO GUIDA PALETT	STIRRER GUIDE RETAINING SPRING	RESSORT DE BLOCCAGE GUID PALETTE	MOLLA DI BLOCCAGGIO GUIDA PALETTE	
8	0875.431	MOLLA X GUIDA PALETTE L.115 MM	SPRING L.115MM	RESSORT PALETTE L.115	FEDER Z. RÜHRSTÄBCHENFÜHRUNG	
9	U207.003	ROSETTA PIANA 3.2X7 UNI 6592 ZNP	PLAIN WASHER 3.2X7 UNI 6592 GALV	RONDELLE 3.2X7 UNI 6592 ZNP	Scheibe A3.2 DIN 125 verz.	ROSETTA PIANA 3.2X7 UNI 6592 ZNP
10	U110.011	VITE AUT.TCB 2.9X9.5 DIN 7981 F	screw AUT.TCB 2.9X9.5 DIN 7981 F	VIS AUT.TCB 2.9X9.5 DIN 7981 F	Linsen-Blechschr. 2.9x9.5 DIN 798	VITE AUT.TCB 2.9X9.5 DIN 7981 F
11	0875.106	BILANCERE PALETTE	STIRRER COMPENSATOR	LEVIER MOBILE PALETTE	BILANCERE PALETTE	
11	0875.282	BILANCERE PALETTE L.105	STIRRER COMPENSATOR	LEVIER MOBILE PALETTE 105	Schwinghebel Rührstäbchen. 105mm	BILANCERE PALETTE L.105
12	0875.109	PIASTRINO X SPORTELO ZUCCHERO	PLATE FOR SUGAR DOOR	PLAQUE OUVREURE SUCRE	Plattchen zu Zuckerschacht	PIASTRINO X SPORTELO ZUCCHERO
13	129511903	VITE TCB 2.9X6.4 DIN 7981 BZ NIK	SCREW TCB 2.9X6.4 DIN 7981 BZ NI	VIS TCB 2.9X6.4 UNI 7981 BZ NICK	Blotchraube 2.9x6.4 Ni	VITE TCB 2.9X6.4 DIN 7981 BZ NIK
14	U701.006	ANELLO ELASTICO 3.2 UNI 7434	SNAP RING 3.2 UNI 7434	ANNEAU ELASTIQUE	Sicherungsring ø3.2 elastisch	ANELLO ELASTICO 3.2 UNI 7434
15	0875.115	PERNO X BILANCERE PALETTE	PIN FOR STIRRER COMPENSATOR	AXE BALANCIER	Boizen zu Schwinghebel Rührst.	PERNO X BILANCERE PALETTE
15	0875.283	PERNO X BILANCERE PALETTE L.105	PIN FOR STIRRER COMPENSATOR	AXE BALANCIER L.105	Boizen zu Schwinghebel Rührst.10	PERNO X BILANCERE PALETTE L.105
16	U110.003	VITE AUT.TCB 3.5X9.5 DIN 7981 F	screw AUT.TCB 3.5X9.5 DIN 7981 F	EJECTEUR PALETTES	Linsen-Blechschr. 3.5x9.5 DIN 79	VITE AUT.TCB 3.5X9.5 DIN 7981 F
17	0875.108	ESPULSORE PALETTE	STIRRER EXPELLER	EJECTEUR PALETTES	Rührstäbchenauswerfer	ESPULSORE PALETTE
18	0875.104	GUIDA PALETTE	STIRRER GUIDE	GUIDE PALETTE	Rührstäbchenführung	GUIDA PALETTE
18	0875.225	GUIDA PALETTE L.105	STIRRER GUIDE L.105	GUIDE PALETTE L.105	Rührstäbchenführung. 105mm	GUIDA PALETTE L.105
18	0875.432	GUIDA PALETTE L.115 MM	STIRRER GUIDE	GUIDE PALETTE L.115	RÜHRSTÄBCHENFÜHRUNG L=115	
19	9111.305	PATTINO PALETTE SX	STIRRER SLIDING BLOCK LEFT	PATIN PALETTES GAUCHE	Gleitstück links	PATTINO PALETTE SX
20	0875.152	MOLLA X BILANCERE PALETTE	SPRING FOR STIRRER COMPENSATOR	RESSORT	Feder zu Schwinghebel Rührst.	MOLLA X BILANCERE PALETTE
21	0875.121	BOCCOLA X MOLLA BILANCERE PAL	BUSH FOR COMPENSATOR SPRING PAL	BAGUE POUR RESSORT	Hülse zu Schwinghebel Rührst.	
22	0875.121	PERNO DI CONTRASTO X GUIDA PALET	CONTRAST PIN FOR STIRRER GUIDE	AXE	Boizen zu Rührstäbchenführung	PERNO DI CONTRASTO X GUIDA PALET
23	0875.151	MOLLA X PIASTR. SCORREVOLE	SPRING FOR SLIDING PLATE	RESSORT	Feder zu Schiebepättchen	MOLLA X PIASTR. SCORREVOLE
24	U110.004	VITE AUT.TCB 3.5X6.5 DIN 7981 F	screw AUT.TCB 3.5X6.5 DIN 7981 F	RONDELLE DE GLISSEMENT	Schraube 3.5x6.5 DIN7981F	VITE AUT.TCB 3.5X6.5 DIN 7981 F
25	0875.113	BOCCOLA X PIASTRINO SCORREVOLE	BUSH FOR SLIDING PLATE	ROULEAU	Hülse zu Schiebepättchen	BOCCOLA X PIASTRINO SCORREVOLE
26	0875.263	RULLO X SPINTORE	ROLLER FOR PUSHER	PLAQUE COULISSANT	Rolle zu Schiebepättchen	RULLO X SPINTORE
27	0875.112	PIASTRINO SCORREVOLE	SLIDING PLATE	AXE DE COULISSEUR	Schiebepättchen	PIASTRINO SCORREVOLE
28	0875.264	PERNO X SPINTORE	PIVOT FOR PUSHER	AXE DE POUSSUR	Schiebezapfen	PERNO X SPINTORE
29	9111.668	CONTRAPESO PALETTE D.10	STIRRER DISPCOUNTERWEIGHT D.10	CONTREPOIDS PALETTE D.10 L.90	Gegengewicht für Rührstäbchen L=	CONTRAPESO PALETTE D.10
29	9111.669	CONTRAPESO PALETTE D.10 L.103MM	STIRRER DISPCOUNTERWEIGHT D.10	CONTREPOID PALETTE D.10 L.103MM	Rührstäbchengewicht ø10mm. 103mm	CONTRAPESO PALETTE D.10 L.103MM
29	9111.745	CONTRAPESO PALETTE L=113MM	STIRRER DISPCOUNTERWEIGHT	CONTRE POIDS DE PALETTE L=113MM	GEGENGEWICHT RÜHRSTÄBCHENS. 113	CONTRAPESO PALETTE L=113MM
30	9111.553	MOLLA AUTOSERRANTE X TUBO D.22	SELF-ENERGIZING SPRING FOR TUBE	COLLIER AUTOSERRANT D.22	Klemmfeder für Schlauch D. 22	MOLLA AUTOSERRANTE X TUBO D.22
31	0875.147	TUBO FLESSIBILE X ZUCCHERO	FLEXIBLE TUBE FOR SUGAR	TUBE FLEXIBLE POUR SUCRE	Schlauch flexibel für Zucker	TUBO FLESSIBILE X ZUCCHERO
32	129827502	VITE TCB M6X14 UNI 7687 ZNP	TCB SCREW M6X14 UNI 7687 ZNP	VIS TCB M6X14 UNI 7687 ZNP	Linsenschraube M6x14 DIN 7985 ve	VITE TCB M6X14 UNI 7687 ZNP
33	U302.003	DADO ESAGONALE M4 UNI 5589 ZN	GALV.NUT HEXAGONAL M4 UNI 5589 Z	ECROU HEXAGONAL M4 UNI 5589 ZN	Mutter M4 UNI 5589 ZN	DADO ESAGONALE M4 UNI 5589 ZN
34	128310404	ROSETTA UNI 8842 A4 BRUNITA	WASHER UNI 8842 A4 BURNISHED	RONDELLE UNI 8842 A4	Fächerschleibe A4.3 DIN 6798 verz	ROSETTA UNI 8842 A4 BRUNITA
35	0875.117	CONDOTTO ZUCCHERO	SUGAR DUCT	CONDUIT SUCRE	Zuckerführung	CONDOTTO ZUCCHERO
36	0875.244	ASSIEME SCIVOLO PALETTE	WHOLE PANS CHUTE	TOBOGGAN PALETTE	Rührstäbchenkanal kpl.	ASSIEME SCIVOLO PALETTE
36	0875.286	ASSIEME SCIVOLO PALETTE L.105	WHOLE PANS CHUTE L.105	TOBOGGAN PALETTE L.105	Rührstäbchenkanal kpl. 105mm	ASSIEME SCIVOLO PALETTE L.105
37	U109.003	VITE AUT.TCB 3.5X9.5 DIN 7981 C	SCREW TCB 3.5X9.5 DIN 7981 C NIK	VIS TCB3.5X9.5DIN7981CNIK	Linsen-Blechsch. 3.5x9.5 DIN 7981	VITE AUT.TCB 3.5X9.5 DIN 7981 C
38	NF13.006	ANELLO X PERNI D.3 QUICLOCK ZINC	RING FOR PIN D.3 QUICLOCK ZINC	RONDELLE D.3 QUICLOCK ZINC	Sicherungsring d=3 zu Bolzen ver	ANELLO X PERNI D.3 QUICLOCK ZINC
39	0875.110	MOLLA SPORTELO ZUCCHERO	MAGNET	RESSORT PORTE SUCRE	Feder zu Klappe Zuckerschacht	MOLLA SPORTELO ZUCCHERO
40	0875.103	SPORTELO ZUCCHERO	SUGAR DOOR	PORTIERE SUCRE	Zuckerklappe	SPORTELO ZUCCHERO
41	U109.018	VITE AUT.TCB 3.5X6.5 DIN 7981 C	screw AUT.TCB 3.5X6.5 DIN 7981 C	VIS AUT.TCB 3.5X6.5 DIN 7981 C	Linsen-Blechschr. 3.5x6.5 DIN 79	VITE AUT.TCB 3.5X6.5 DIN 7981 C
42	0875.252	PIASTRA X CONV. PALETTE	PLATE FOR BLADES CONV.	COUV.TOBOGGAN PALETTE	PIASTRA X CONV. PALETTE	PIASTRA X CONV. PALETTE



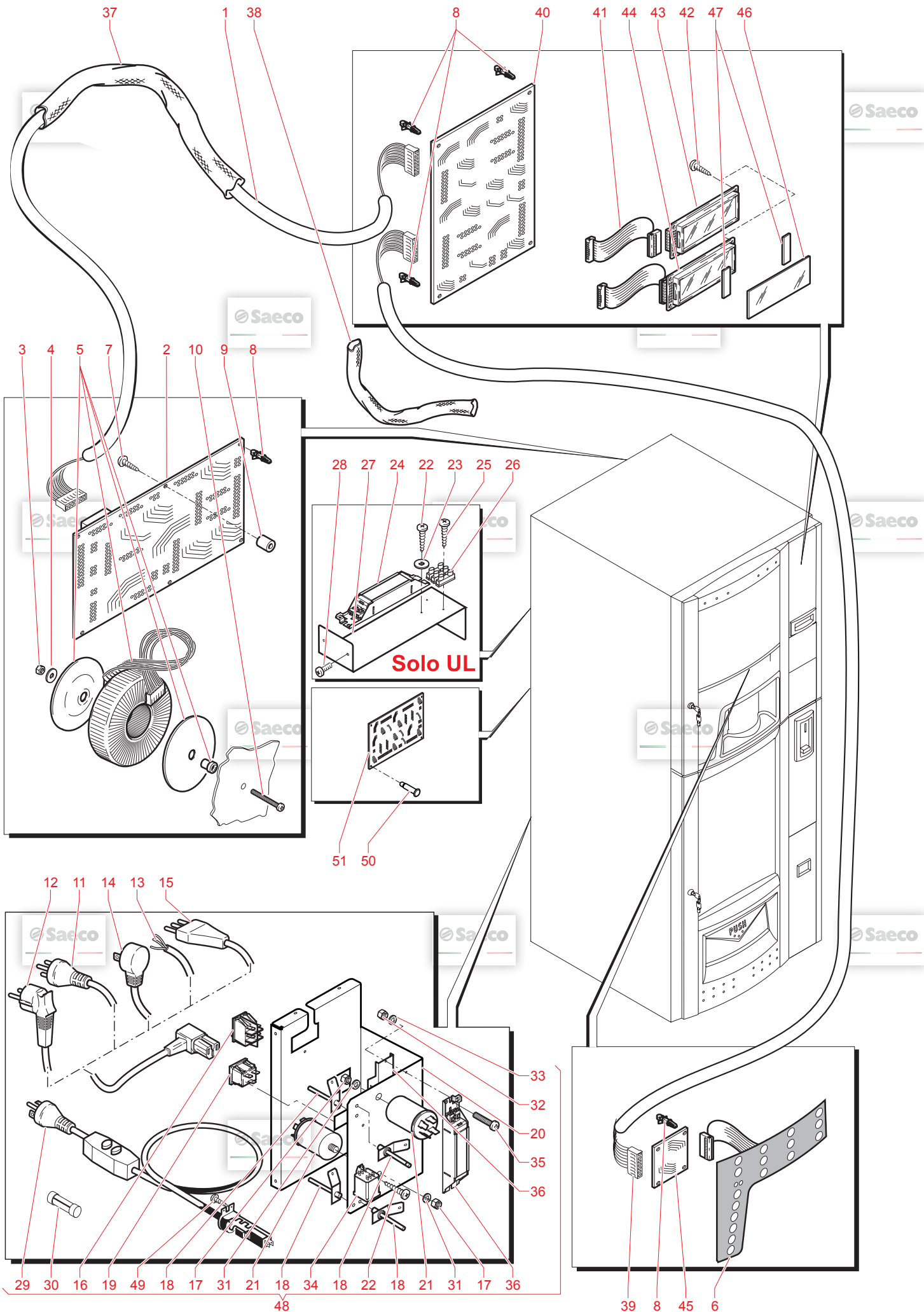
E - DESCRIPCION

D - BEZEICHNUNG

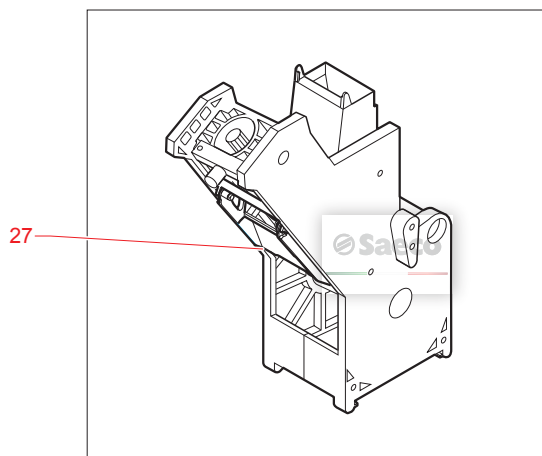
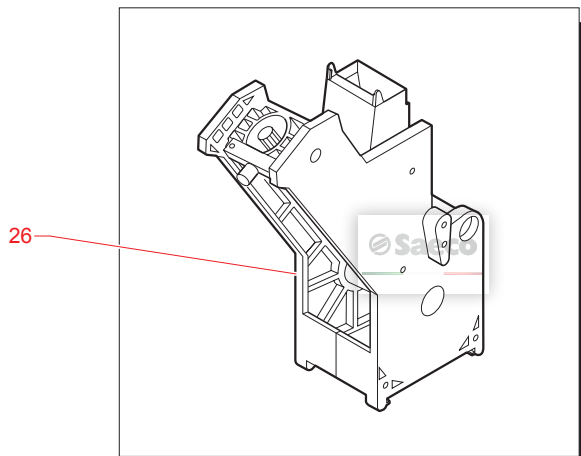
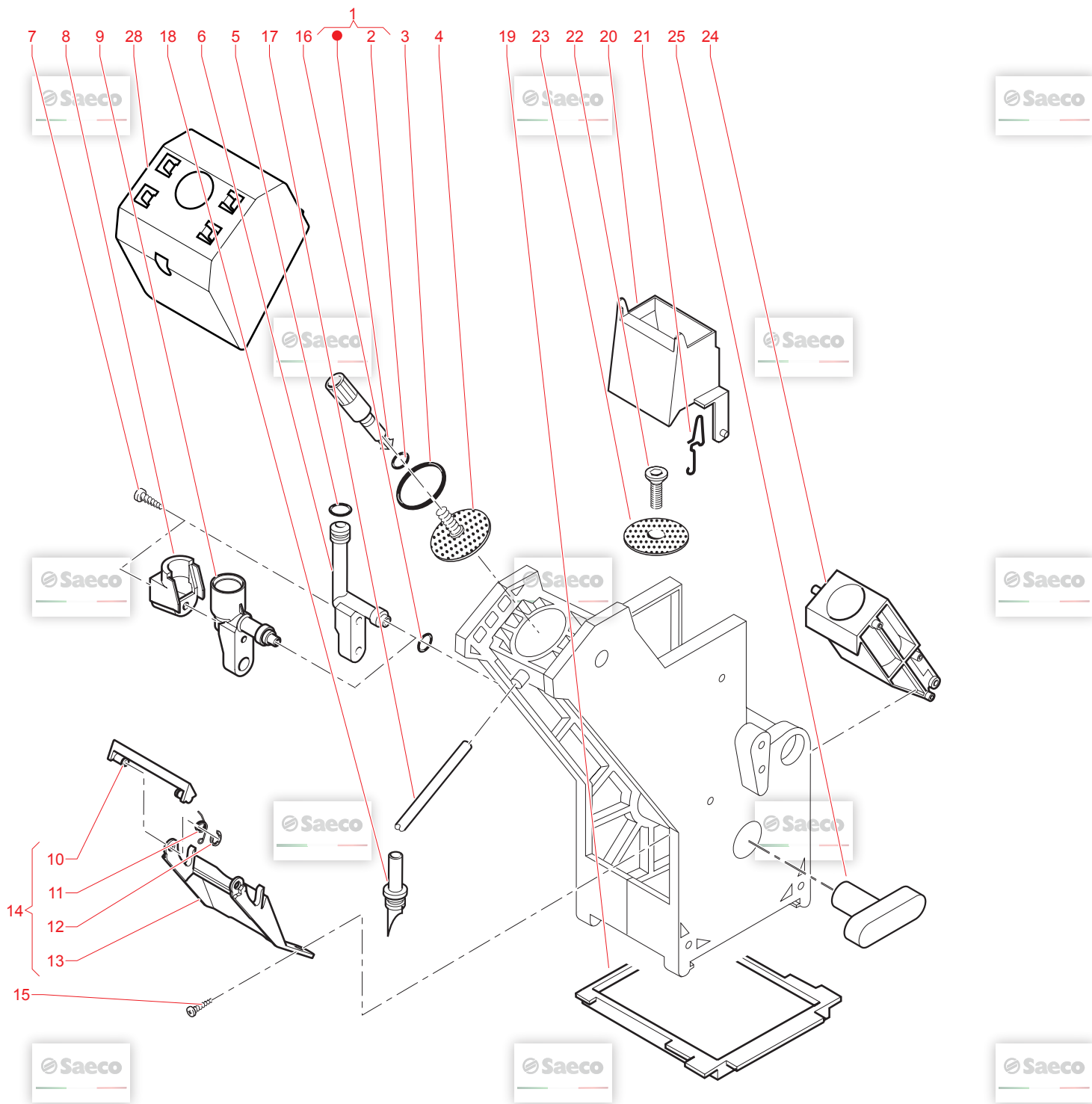
F - DESCRIPTION

UK - DESCRIPTION

I - DESCRIZIONE



N.POSI	COD	I - DESCRIZIONE	UK - DESCRIPTION	F - DESCRIPTION	D - BEZEICHNUNG	E - DESCRIPCION	NOTE
1	0875.740	FLAT - CABLE 26 POLI	FLAT CABLE 16 POLE	CABLE PLAT 16 POLES	Flachbandkabel 26-polig neu	FLAT - CABLE 26 POLI	
2	0875.742	SCHEDA I/O COMBI V.3 220V/240V	I/O CARD COMBI SNACK V.3 220V/240V	PLATINE PUISSANCE COMBISNACK V3	Leistungsplatine Combi Snack	SCHEDA I/O COMBI V.3 220/240V	
3	0875.750	UL	UL	NON UTILISEE PAR LA FRANCE ET BE	LEISTUNGSPLATINE COMBI SNACK/DIA		solo UL
4	U310.004	DADO AUTOBLOC.M6 UNI 7473 ZNP	FLAT CABLE 16 POLE	ECROU AUTOBLOC.M6 UNI 7473 ZNP	Sechskantmutter M6 DIN 985 verz.	DADO AUTOBLOC.M6 UNI 7473.ZNP	
5	U307.013	ROSETTA PIANA 6.5X18 UNI 6592 ZNP	PLAIN WASHER 6.5X18 UNI 6592 GAL	RONDELLE 6.5X18 UNI 6592 GALV	Unterfangscheibe 6.5x18 DIN 125 v	ROSETTA PIANA 6.5X18 UNI 6592 ZNP	
6	NE19.011	TRASFORMATORE TOROIDALE D.A. COMI	TOROIDAL TRANSFORMER D.A.COMBI	TRANSFORMATEUR TOROÏDAL DA COMBI	Transformator Combi/Snack	TRASFORMATORE TOROIDALE D. A. COMI	
7	NE19.023	TRASFOR.TOROIDALE COMBI 240V/120V	TOROIDAL TRANSFORMER COMBI 240V	NON UTILISEE PAR LA FRANCE ET BE	Ringtransformator UL Version	TRASFOR.TOROIDALE COMBI 240/120V	
8	0875.603	TASTIERA A MEMBRANA COMBI	MEMBRANE TOUCH PANEL COMBI	CLAVIER A MEMBRANE COMBI SNACK	Tastaturfolie Combi/ Snack	TASTIERA A MEMBRANA COMBI	
9	1102547	TASTIERA MEMBRANA ROSSO-BEIGE	SWITCH PUSHBUTTON BEIGE-RED	CLAVIER DIAMANTE BEIGE / ROUGE	Tastatur fol/beige mit Membrane	TASTIERA MEMBRANA ROSSO-BEIGE	
10	11012133	TASTIERA A MEMBRANA GREY DIAMANT	SWITCH PUSHBUTTON DIAMANTE NERO	CLAVIER DIAMANTE NOIR	GREY DIAMANTE MEMBRANE KEYBOARD	TASTIERA MEMBRANA DIAMANTE NERO	
11	11021861	VITE AUT.TCB 4.8X9.5 DIN 7981 C	screw AUT.TCB 4.8X9.5 DIN 7981 C	VIS AUT.TCB 4.8X9.5 DIN 7981 C	Tastatur schwarz mit Membrane DI	VITE AUT.TCB 4.8X9.5 DIN 7981 C	
12	9111.402	DISTANZIALE X. SCHEDA	SPACER FOR CARD	ENTRETOISE PLATINE	Halterung	DISTANZIALE X. SCHEDA	
13	9991.079	DISTANZIALE X. SCHEDA	SPACER FOR CARD	ENTRETOISE	DISTANZBUCHSE	DISTANZIALE X. SCHEDA	
14	U005.013	VITE TE M6.0X70 UNI 5739 ZNP	screw TE M6.0X70 UNI 5739 GALV.	VIS TE M6.0X70 UNI 5739 GALV.	Schraube M6x70 DIN 933 verz.	VITE TE M6.0X70 UNI 5739 ZNP	
15	NE01.053	CAVO AUSTRAL. CON SPINA EN60320	CABLE AUSTRAL. +PLUG EN60320 C13	CABLE AUSTRAL. +PRISE EN60320 C1	Anschlusskabel Australien	CAVO AUSTRAL. CON SPINA EN60320 C1	
16	NE01.093	CAVO AL.ARGENT.C/SPINA EN60320 C	CABLE ARGENTINA + PLUG EN60320 C	NON UTILISEE PAR LA FRANCE ET LE	Anschlusskabel Argentinien		
17	NE01.050	CAVO SCHUKO. CON SPINA EN60320 C1	CABLE SCHUKO WITH PLUG EN60320 C	CORDON ALIMENTATION	Anschlusskabel Deutschland	CAVO SCHUKO CON SPINA EN60320 C1	
18	NE01.054	CAVO CON SPINA EN60320 C13	CABLE WITH PLUG EN60320 C13	CABLE AVEC PRISE EN60320 C13	Anschlusskabel ohne Stecker		
19	NE01.105	CAVO SWIZZERA CON SPINA EN60320	CABLE USA 3P 16 AWG	NON UTILISEE PAR LA FRANCE ET BE	CABLE USA 3P 16 AWG		
20	NE01.051	CAVO SVAZZERA CON SPINA EN60320	CABLE Switzerland WITH PLUG EN60	CABLE POUR LA SUISSE EN603	Anschlusskabel Schweiz		
21	NE03.003	INTERRUTTORE MOLVENO B412C/112/100	MOLVENO SWITCH B412C/112/10000W	ECROU HEXAGONAL M8 UNI 5588	Schalter Ein/Aus P7	INTERRUTTORE MOLVENO B412C/112/100	
22	U302.007	DADO ESAGONALE M8 UNI 5588 ZNP	NON UTILISEE PAR LA FRANCE ET BE	INTERRUPTEUR MARCHÉ/ARRET	Sechskantmutter M8 DIN 934 verz.	DADO ESAGONALE M8 UNI 5588 ZNP	
23	12002060	RIVETTO MASSA UN TERMINALE 10000	RIVET GROUND ONE TERMINAL 100007	RIVET GROUND TWO TERMINAL 100007	RIVET GROUND ONE TERMINAL 100007	RIVETTO MASSA UN TERMINALE 10000	
24	12002061	RIVETTO MASSA DUE TERMINALE 1000	RIVET GROUND TWO TERMINAL 100007	PRISE	RIVET GROUND TWO TERMINAL 100007	RIVETTO MASSA DUE TERMINALE 1000	
25	NE13.013	PRESA A VASCH.S/SMUSSI EN 60320	CUP SOCKET EN 60320 C 13	ELECTRICAL PARTS BOX	Katgerätestecker 3-pol DIN60320	PRESA A VASCH.S/SMUSSI EN 60320	
26	0875.292	SCATOLA PARTI ELETTTRICHE	ELECTRICAL PARTS BOX	ELECTRICAL PARTS BOX	Abdeckung Leistungsplatine	SCATOLA PARTI ELETTTRICHE	
27	0875.426	SCATOLA PARTI ELETTTRICHE	LOCKING SCREW ANTI-DISTURB FILTER	ELECTRICAL PARTS BOX	MONTAGERAHMEN SPANNUNGSVERSORGUN	SCATOLA PARTI ELETTTRICHE	
28	184651500	FILTRO ANTIDIST.BLOC.VITE 16A	LOCKING SCREW ANTI-DISTURB FILTER	FILTRE ANTI PARASITE 16A FNC -161	Entstörfilter Chistallo 16AF-NC.	FILTRO ANTIDIST.BLOC.VITE 16A	
29	NE13.023	FILTRO EICHHOFF 16A	EICHHOFF FILTER 16A	FILTRE EICHHOFF 16A	Entstörfilter Eichhoff 16A 120V	FILTRO EICHHOFF 16A	
30	U109.003	VITE AUT.TCB 3.5X9.5 DIN 7981 C	Screw TCB 3.5X9.5 DIN 7981 C NIC	VIS TCB3.5X9.5DIN7981CNIK	Linsen-Blechs. 3.5x9.5 DIN 7981	VITE AUT.TCB 3.5X9.5 DIN 7981 C	
31	U207.002	ROSETTA PIANA 4.3X9 UNI 6592 ZNP	PLAIN WASHER 4.3X9 UNI 6592 GAL	RONDELLE 4.3*9 UNI6592 ZNP	Scheibe 4.3, DIN 125 verz.	ROSETTA PIANA 4.3X9 UNI 6592 ZNP	
32	NE13.100	ALIMENTAT. X NEON COMBI SNACK 12	POWER SUPPLY FOR NEON 120V	NON UTILISEE PAR LA FRANCE ET BE	VORSCHALTGERÄT LEUCHTSTOFFRÖHRE	POWER SUPPLY FOR NEON 120V	
33	U109.005	VITE AUT.TCB 3.5X16 DIN 7981 C	screw AUT.TCB 3.5X16 DIN 7981 C	VIS TCB3.5X16DIN7981CNIK	Linsen-Blechs. 3.5x16 DIN 7981 N	VITE AUT.TCB 3.5X16 DIN 7981 C N	
34	NE07.007	MORSETTIERA PA 44.4	JUNCTION BLOCK PA 44.4	BORNIER PA 44.4	Klemme 4-adrig PA 44.4		
35	0875.436	STAFFA SUPPORTO REATTORE	SUPPORT BRACKET	SUPPORT ALIMENTATION	Halteschraube M4x14 DIN 7985 ve	VITE TCB3.5X16 DIN 7981 C N	
36	U043.006	VITE TCB3.5X9.5 DIN 7981 ZNP	screw TCB3.5X9.5 DIN 7981 ZNP	VIS TCB3.5X9.5 DIN 7981 ZNP	Linsenschraube M4x14 DIN 7985 ve	VITE TCB3.5X9.5 DIN 7981 ZNP	
37	11008466	ASS.CAVO ALIMENTAZIONE USA 3 POL	POWER CABLE USA 3 POLE 20A	CORDON ALIMENTATION USA 3 POLE 2	POWER CABLE USA 3 POLE 15A X GFC	ASS.CAVO ALIMENTAZIONE USA 3 POL	
38	U1102009	ASS.CAVO ALIMENTAZIONE USA 3 POL	POWER CABLE USA 3 POLE 20A	ENSEMBLE CABLE USA 3 POLE 15A X GFC	Fachsicherung 6.3x32 15A 250V	FUSE F-GSA15-R 6.3X32 15A 250V R	
39	NE13.081	FUSE F-GSA15-R 6.3X32 15A 250V R	FUSE 6.3X32 16A 250V DELAYED UL	NON UTILISEE PAR LA FRANCE ET LE	Fachsicherung 6.3x32 15A 250V	FUSE F-GSA15-R 6.3X32 15A 250V R	
40	U208.009	ROSETTA DENT. 8.4X15 UNI 3703 BR	TOOTHED WASHER 8.4X15 UNI 3703	RONDELLE DENT. 8.4X15 UNI 3703 B	Mutter M3	ROSETTA DENT. 8.4X15 UNI 3703 BR	
41	U302.002	DADO ESAGONALE M3 UNI 5588 ZNP	NON UTILISEE PAR LA FRANCE ET BE	ECROU M3 UNI 5588 ZNP	Schraube A3 2, DIN 125 verz.	DADO ESAGONALE M3 UNI 5588 ZNP	
42	U302.003	ROSETTA PIANA 3.2X7 UNI 6592 ZNP	PLAIN WASHER 3.2X7 UNI 6592 GALV	RONDELLE 3.2X7 UNI 6592 ZNP	Relais CS Instant N	ROSETTA PIANA 3.2X7 UNI 6592 ZNP	
43	NE13.080	RELE DI POTENZA DEVIATORE FINDER	POWER RELAY	RELAIS PUISSANCE	Linsenschraube M3x12 DIN 7985 ve	RELE DI POTENZA DEVIATORE FINDER	
44	12002050	VITE TCB M3X12 ZN-B	Screw TCB TORX 10 M3X12 ZN-B	VIS M3	Vorschaltgerätleuchstoffröhre	VITE TCB TORX 10 M3X12 ZN-B	
45	NE13.059.00A	ALIMENTATORE X NEON 18W	POWER SUPPLY FOR NEON 18W	ALIMENTATION POUR NEON COMBISNAC	Alimentatore X NEON 18W	ALIMENTATORE X NEON 18W	
46	NE13.079.00A	ALIMENTATORE X NEON 36W - APF	POWER SUPPLY X NEON 36W	ALIMENTATION NEON 36W-APF	Alimentatore X NEON 36W	ALIMENTATORE X NEON 36W - APF	
47	NE13.090.00F	ALIMENTATORE X NEON 2X18W	POWER SUPPLY FOR NEON 2X18W	NON UTILISEE PAR LA FRANCE ET BE	Alimentatore X NEON 2X18W	ALIMENTATORE X NEON 2X18W	
48	9111.645	GUAINA X CAVI L.1420MM	SHEATH FOR CABLES	GAINÉ POUR CABLES L.1420MM	Schutzmantel Flachbandkabel L=14	GUAINA X CAVI L.1420MM	
49	0875.249	GUAINA X CAVI L.1420MM	SHEATH FOR CABLES	GAINÉ POUR CABLES L.1420MM	Flachbandkabel Tastatur/CPU	GUAINA X CAVI L.1420MM	
50	0875.650	FLAT COLLEGAM. TASTIERA/CPU	FLAT CONNECTOR TOUCH PANEL/CPU	BRANCHEMENT PLAT CLAVIER/CPU	Flachbandkabel Tastatur/CPU	FLAT COLLEGAM. TASTIERA/CPU	
51	11030386	AS.CPU-SW DIAMANTE SEAGA	CPU-SW AS. DIAMANTE SEAGA		Flachbandkabel 16-polig Display	AS.CPU-SW DIAMANTE SEAGA	
52	0875.642	FLAT-CABLE 16 POLE	FLAT-CABLE 16 POLE	CABLE PLAT 16 POLES	SCHRAUBE 2.9X13 DIN 7981 F	FLAT-CABLE 16 POLI	
53	U110.006	VITE AUT.TCB 2.9X13 DIN 7981 F	screw AUT.TCB 2.9X13 DIN 7981 F	VIS AUT.TCB 2.9X13 DIN 7981 F NI	Flachbandkabel 16-polig Display	VITE AUT.TCB 2.9X13 DIN 7981 F N	
54	0862.603	DISPLAY PC2002LURU-B50-BC3Q	DISPLAY	PLATINE DISPLAY DA8P COMBI	LCD-Display 20x2 LCD BLUE STN + FLAT	DISPLAY PC2002LURU-B50-BC3Q	
55	192200500	DISPLAY 20X2 LCD BLUE STN + FLAT	TOUCH PANEL CONNECTION CARD	PLATINE DISPLAY DA8P COMBI	Verbindungsprint Türelektronik/T	DISPLAY 20X2 LCD BLUE STN + FLAT	
56	0875.651	SCHEDINO COLLEGAMENTO TASTIERA	TOUCH PANEL CONNECTION CARD	PLATINE CONNEXION CLAVIER	Filter Display 2 mm	SCHEDINO COLLEGAMENTO TASTIERA	
57	0862.027	VETRINO X DISPLAY SPSS.2 MM	DISPLAY GLASS 2 MM THICKNESS	VITRE AFFICHEUR 2MM	Abstandhalter selbstkle. zu Disp	VETRINO X DISPLAY SPSS.2 MM	
58	0875.421	DISTANZIALE ADESSIVO X DISPLAY	ADHESIVE SPACER FOR DISPLAY	ENTRETOISE ADHESIVE POUR AFFICHE	ASS. SCAT.PARTI ELETT/DIAMANTE 12	DISTANZIALE ADESSIVO X DISPLAY	
59	11030418	ASS. SCAT.PARTI ELETT/DIAMANTE 12	BOX ASS. PARTS ELECTRIC COMBI D.	ASS. SCAT.PARTI ELETT/DIAMANTE 12	Schraube 3.5X6.5 DIN7981 F	ASS. SCAT.PARTI ELETT/DIAMANTE 12	
60	9110.110	ASS. SCATOLA PARTI ELETTTR.COMBI D	BOX ASS. PARTS ELECTRIC COMBI D.	ASS. SCAT.PARTI ELETT/DIAMANTE 12	Halterung	ASS. SCATOLA PARTI ELETTTR.COMBI D	
61	U110.004	VITE AUT.TCB 3.5X6.5 DIN 7981 F	screw AUT.TCB 3.5X6.5 DIN 7981 F	VIS AUT.TCB 3.5X6.5 DIN 7981 F	ATLANTE LED POWER SUPPLY	VITE AUT.TCB 3.5X6.5 DIN 7981 F	
62	12001745	DISTANZIALE X SCHEDA F.P.5313 AA	SPACER FOR CARD F.P.5313 AA00	ENTRETOISE PLATINE	ATLANTE LED POWER SUPPLY	DISTANZIALE X SCHEDA F.P.5313 AA	
63	11030270	ALIMENTATORE LED ATLANT	ATLANTE LED POWER SUPPLY	ALIMENTATION LED ATLANT		ALIMENTATORE LED ATLANT	



N.POSI	COD	I - DESCRIZIONE	UK - DESCRIPTION	F - DESCRIPTION	D - BEZEICHNUNG	E - DESCRIPCION
1	9169.A14.150	ASS.PERNO X DOCCIA COMPLETO GRIG	PIN FOR PERCOLATOR GREY	AXE BLOAGE GRILLE SUP GRIS	Rändelspahnmutter grau	ASS.PERNO X DOCCIA COMPLETO GRIG
2	NM02.006	OR R5 TERMOIL	OR R5 TERMOIL	JOINT R5 EPDM	O-Ring R5 Siebhalterung alle Cer	OR R5 TERMOIL
3	NM01.044	OR ORM 0320-40 SILICONE PTFE/FDA	OR ORM 0320-40 SILICONE PTFE/FDA	JOINT OR 0320-40 SILICONE	O-Ring ORM 0320-40	OR ORM 0320-40 SILICONE PTFE/FDA
4	9161.036	DOCCIA SUPERIORE X GRUPPO	UPPER PERCOLATOR FOR UNIT	GRILLE SUPERIEURE	Sieb oben Brühgruppe l=15mm	DOCCIA SUPERIORE X GRUPPO
5	140320461	OR ORM 0080-20 TERMOIL	OR ORM 0080-20 TERMOIL	JOINT DE PIPE TTE 0080-20	O-Ring 0080-20 Wassereinlaufstut	OR ORM 0080-20 TERMOIL
6	322000559	PISTONE GRIGIO PASSAGGIO ACQUA	WATER FLOW PISTON GREY	PISTON PASSAGE EAU	Elnlaufstutzen grau	PISTONE GRIGIO PASSAGGIO ACQUA
7	129512921	VITE TCB AB 2.9X13 LAMIERA INOX	SCREW TCB TORX 10 AB 2.9X13 SHEE	VIS TCB TORX 10 AB 2.9X13 SS	Schraube 2,9X13	VITE TCB AB 2.9X13 LAMIERA INOX
8	11010013	CARTER X MANICOTTO GRUPPO PRERIS	CARTER FOR MUFF PREHEATING UNIT	CARTER DE SORTIE PIPE TTE GROUPE	Abdeckung Kaffeelauf	CARTER X MANICOTTO GRUPPO PRERIS
9	11005371	MANICOTTO GRUPPO CAFFE'	UNIT COFFEE MUFF	PIPE TTE DE GROUPE	Wassereinlaufstutzen BG C600	MANICOTTO GRUPPO CAFFE'
10	9111.537.150	RASCHIATORE GRUPPO CAFFE GRIGIO	GREY SCRAPER COFFEE GROUP	RACLETTE DE GROUPE CAFÉ	Federbügel zu Trichter grau	RASCHIATORE GRUPPO CAFFE GRIGIO
11	9111.520	MOLLA X RASCHIATORE SEZIONE 0.6	SPRING FOR SCRAPER SECTION 0.6	RESSORT POUR RACLETTE	Feder für Abstreifer BG P500N	MOLLA X RASCHIATORE SEZIONE 0.6
12	U701.006	ANELLO ELASTICO 3.2 UNI 7434	SNAP RING 3.2 UNI 7434	ANNEAU ELASTIQUE	Sicherungsring ø3.2 elastisch	ANELLO ELASTICO 3.2 UNI 7434
13	9111.539.150	FORCELLA PER RASCHIATORE	FORK FOR SCRAPER	FOURCHE POUR RACLETTE	Gabel zu Trichter	FORCELLA PER RASCHIATORE
14	9110.067.150	ASS.RASCHIATORE X SG500/700	SCRAPER ASS.FOR CAPPUCINAT. TUB	ENSEMBLE RACLETTE DE GROUPE	Federbügel+Gabel kplt. zu Tricht	ASS.RASCHIATORE X SG500/700
15	U110.013	VITE AUT.TCB 3.9X6.5 DIN 7981 F	screw AUT.TCB 3.9X6.5 DIN 7981 F	VIS .TCB 3.9X6.5 DIN 7981 F NIK	Schraube 3,9X6,5	VITE AUT.TCB 3.9X6.5 DIN 7981 F
16	140321462	OR 2018 SILICONE	O-RING 2018 SILICONE	JOINT 2018	O-Ring 2018 Silikon	OR 2018 SILICONE
17	9972.057	TUBO SILICONE 5X8 L.2000MM	SILICONE TUBE 5X8 L.2000MM	TUBE SILICONE MARRON L2M 5X8	Siliconschlauch 5x8, l=2mtr.,bra	TUBO SILICONE MARRON 5X8 L.2000
18	9111.348	UGELLO EROGAZIONE DIR.	STRAIGHT DISPENSING NOZZLE	BOSE EROGATION DIR.	Produktauslaufanschluß gerade P5	UGELLO EROGAZIONE DIR.
19	9161.020.060	PIATTINO X GRUPPO CAFFE MARRON	PLATE FOR COFFEE UNIT BROWN	RECUPERATEUR CAFE	Pulverauffangschale Brüng. brau	PIATTINO X GRUPPO CAFFE MARRON
20	322001259	RASCHIATORE MOBILE GRIGIO (STRET	MOBILE SCRAPER GREY NARROW	ENTONNOIR 9GR PROFI 2	Trichter schmale Form, grau	RASCHIATORE MOBILE GRIGIO (STRET
21	9161.425	MOLLA X TRAMOGGIA	SPRING FOR SCRAPER	RESSORT DE TREMIS	Federbügel zu Trichter	MOLLA X TRAMOGGIA
22	129851921	VITE TSP M3X6 UNI 7688 INOX	TSP SCREW M3X6 UNI 7688 SS	VIS TSP M3X6 UNI 7688	Senkschraube M3x6 DIN 965 INOX	VITE TSP M3X6 UNI 7688 INOX
23	9161.037	DOCCIA INFERIORE X GRUPPO	LOWER PERCOLATOR FOR UNIT	GRILLE INFERIEURE	Sieb unten Brühgruppe	DOCCIA INFERIORE X GRUPPO
24	11002626	ASS.CONTENTITORE CAFFE GRIGIO 9 G	ASS. COFFEE CONTAINER GREY 9 GR.	CHAMBRE GROUPE CAFE 9GR.	Brütkammer kplt. grau 9 gr.	ASS.CONTENTITORE CAFFE GRIGIO 9 G
25	9161.021.060	CHIAVE X GRUPPO CAFFE' MARRON	KEY FOR BREW UNIT BROWN	CLE DE GROUPE CAFE	Einsteilschlüssel für Brühinheit	CHIAVE X GRUPPO CAFFE' MARRON
26	9160.033.150	GRUPPO CAFFE' DA 10P 9GR GRIGIO	BREW UNIT DA 10P 9 GRAMS BROWN	GROUPE CAFE DA 9GR	Brühgruppe 9g VEN grau	GRUPPO CAFFE' DA 10P 9GR GRIGIO
27	11005422	GRUPPO CAFFE' 9GR	BREW UNIT 9 GRAMS	GROUPE CAFE 9GR	Brühgruppe kplt.	GRUPPO CAFFE' 9GR
27	1160.079.150	GRUPPO CAFFE' C/RASCHIATORE 9 GR	BREW UNIT 9 GRAMS	GPE CAFE 9GR PIPE TTE MALE	Brühgruppe kplt. P500/700N/SG200	GRUPPO CAFFE' C/RASCHIATORE 9 GR
28	1101.3053	CARTER X GRUPPO CAFFE'	CARTER FOR DOSER UNIT	PROTECTION GROUPE CAFE	Abdeckung Brühgruppe	CARTER X GRUPPO CAFFE'



NOTE

fino mat. 9009DCS0017542
fino mat. 9009DCS0017542
da matr. 9009DCS0017543
da matr. 9009DCS0017543



fino mat. 9009DCS0017542
da matr. 9009DCS0017543
fino mat. 9009DCS0017542



Combi Snack

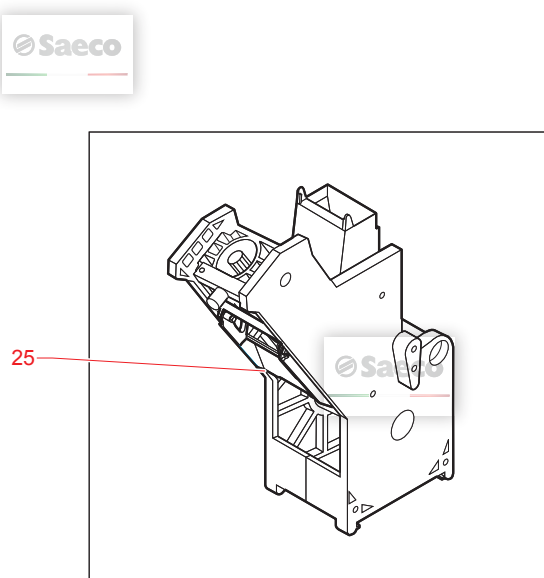
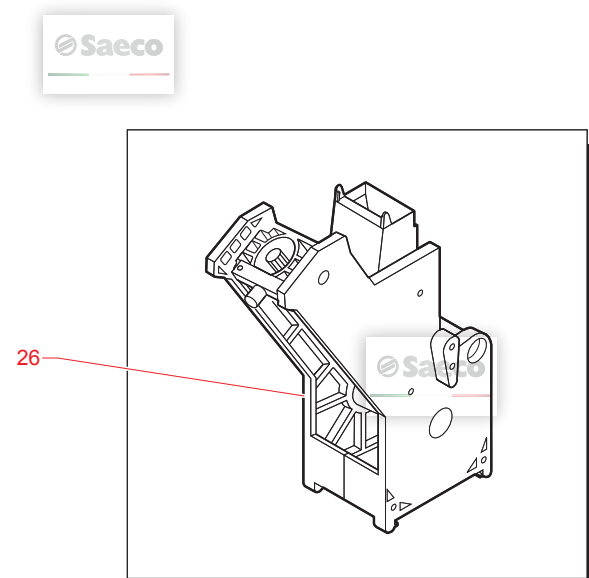
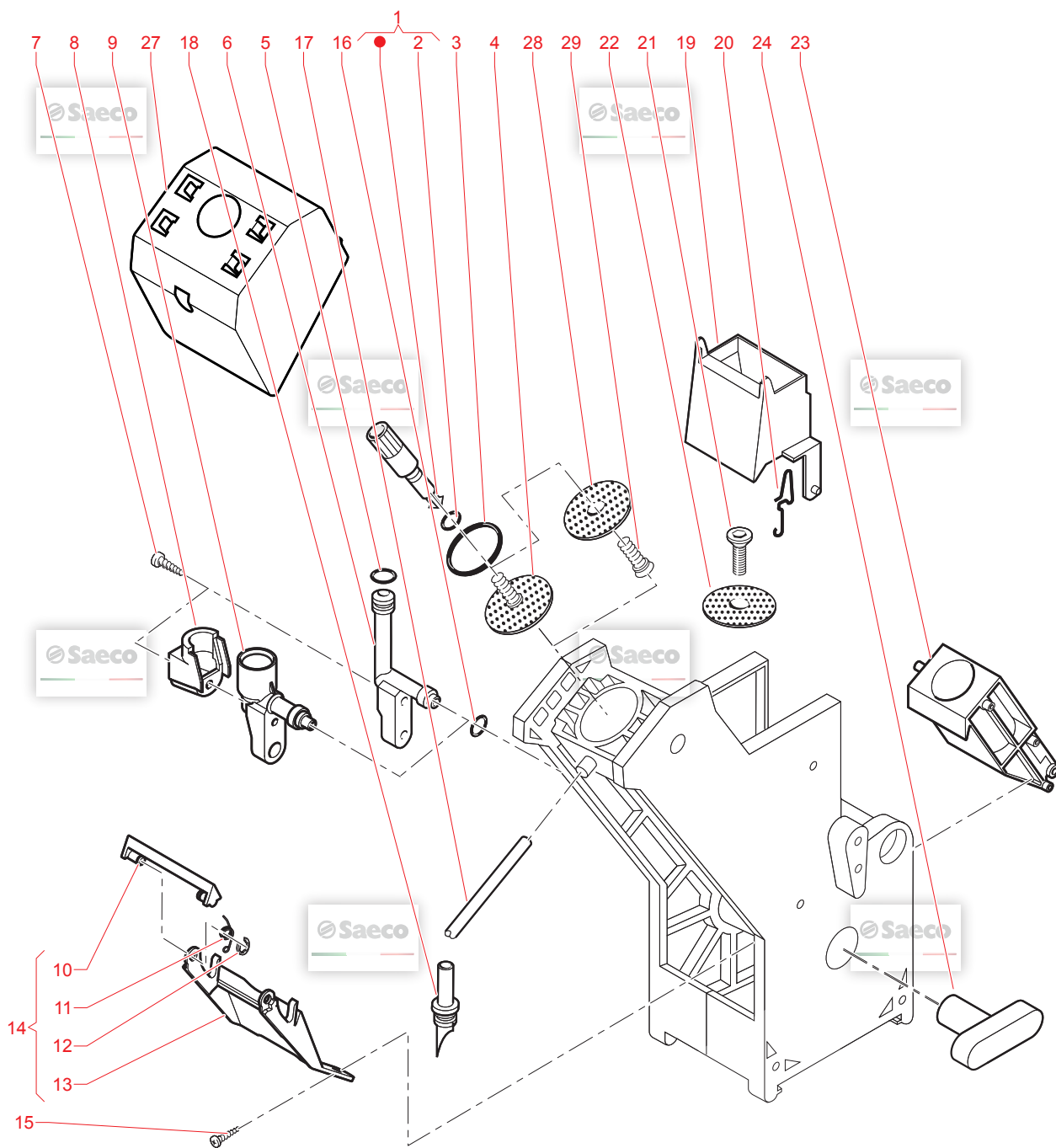
14/01/2019

20

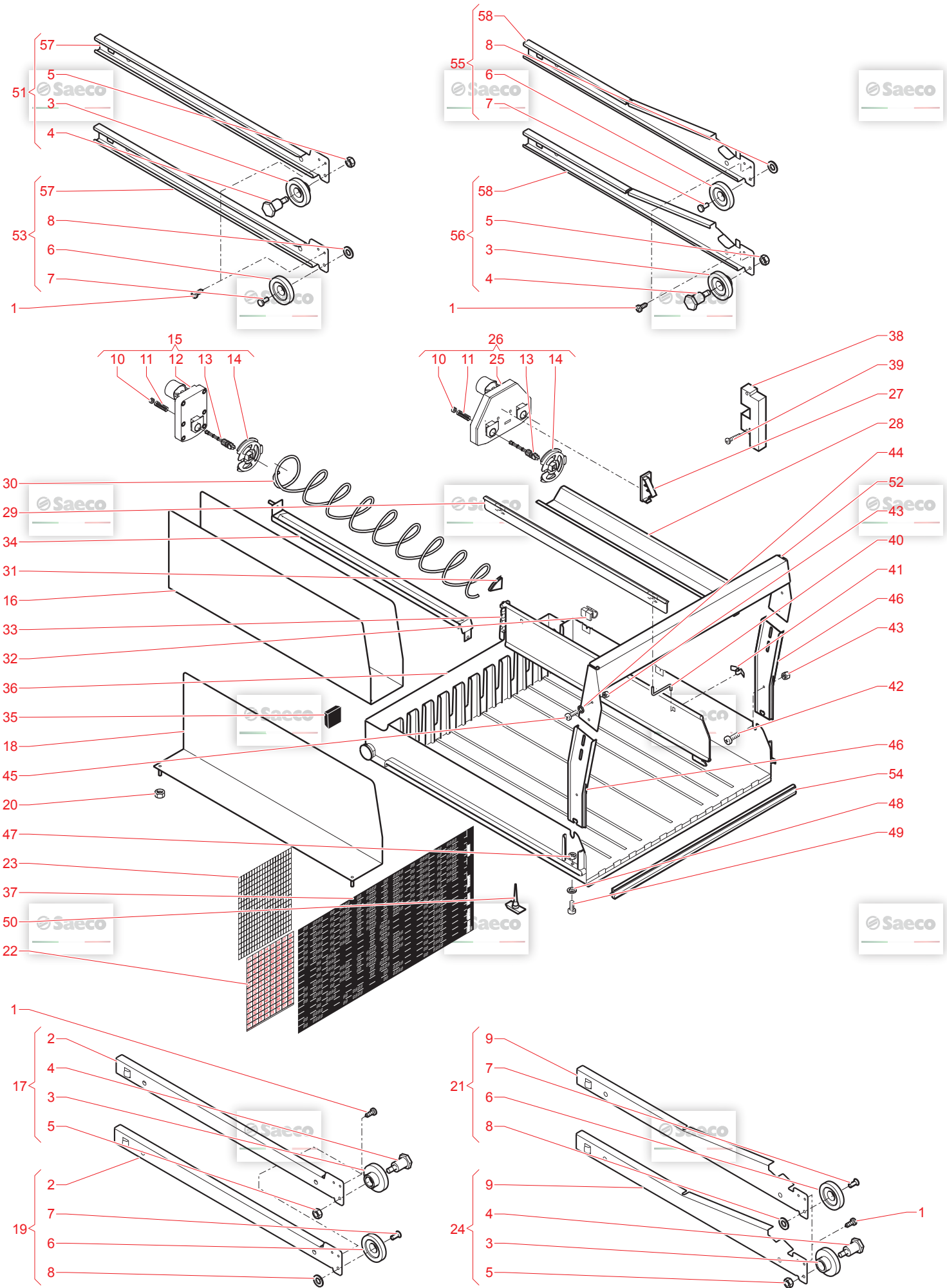
E008.975

GAGGIO MONTANO

© by Saeco, a company of Evoca Group

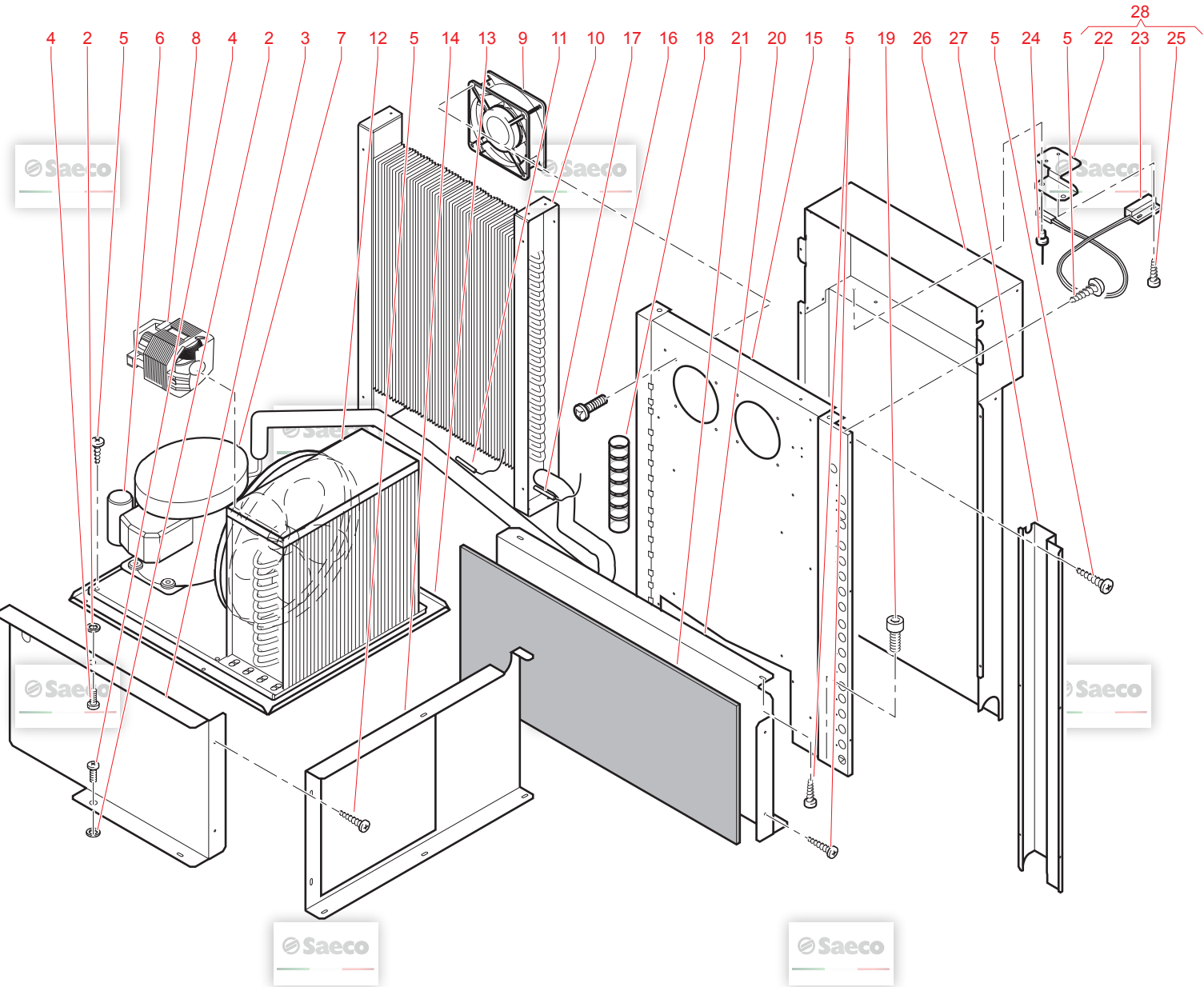
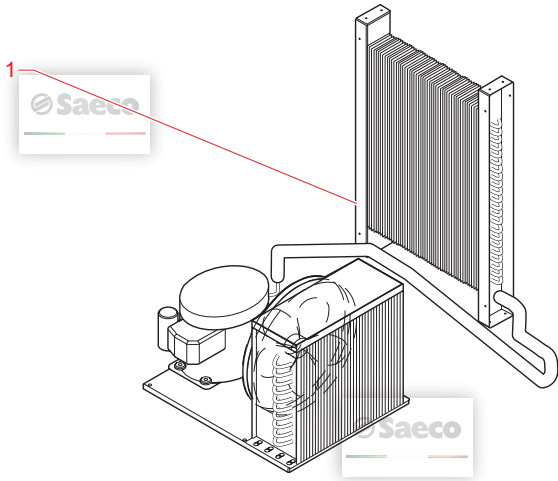


N.POSI	COD	I - DESCRIZIONE	UK - DESCRIPTION	F - DESCRIPTION	D - BEZEICHNUNG	E - DESCRIPCION	NOTE
1	9169.A14.060	ASS.PERNO X DOCCIA COMPLETO MARR	PIN FOR PERCOLATOR BROWN	AXE DE GRILLE	Boizen kplf. zu Sieb	ASS.PERNO X DOCCIA COMPLETO MARR	
2	NM02.006	OR R5 TERMOIL	OR R5 TERMOIL	JOINT R5 EPDM	O-Ring R5 Siebhalterung alle Cer	OR R5 TERMOIL	
3	140322061	OR 4112 EPDM	O-RING 4112 EPDM	JOINT 4112	O-Ring 4112 EPDM	OR 4112 EPDM	
4	324000100	DOCCIA AC.INOX D=34 CON VITE	SS PERCOLATOR D=34 SCREW FOR UNI	GRILLE SUPERIEURE	Sieb mit Gewindestift ø34 bis Se	DOCCIA AC.INOX D=34 CON VITE	
5	340320461	OR ORM 0080-20 TERMOIL	OR ORM 0080-20 TERMOIL	PIPETTE A EAU	O-Ring 0080-20 Wasserreinlaufsut	OR ORM 0080-20 TERMOIL	fino mat. 9009DCS0017542 fino mat. 9009DCS0017542
6	322000501	PISTONE MARRONE PASSAGGIO ACQUA	WATERFLOW PISTON BROWN	JOINT DE SORTIE PIPETTE GROUPE	STUTZEN-EINLAUF BRAUN BG	PISTONE MARRONE PASSAGGIO ACQUA	
7	129512921	VITE TCB AB 2.9X13 LAMIERA INOX	SCREW TCB TORX 10 AB 2.9X13 SHEE	VIS TCB TORX 10 AB 2.9X13 SS	Schraube 2,9X13	VITE TCB AB 2.9X13 LAMIERA INOX	
8	11010013	CARTER X MANICOTTO GRUPPO PRERIS	CARTER FOR WUFF PREHEATING UNIT	CARTER DE SORTIE PIPETTE GROUPE	Abdeckung Kaffeelauf	CARTER X MANICOTTO GRUPPO PRERIS	da matr. 9009DCS0017543
9	11005371	MANICOTTO GRUPPO CAFFE'	UNIT COFFEE WUFF	PIPETTE DE GROUPE	Wasserreinlaufstutzen BG C600	MANICOTTO GRUPPO CAFFE'	da matr. 9009DCS0017543
10	9111.537.060	RASCHIATORE GRUPPO CAFFE MARRONE	BROWN SCRAPER COFFEE GROUP	RACLETTE POUR GROUPE	Trichter Brühergruppe	RASCHIATORE GRUPPO CAFFE MARRONE	
11	9111.520	MOLLA X RASCHIATORE SEZIONE 0.6	SPRING FOR SCRAPER SECTION 0.6	RESSORT POUR RACLETTE	Feder für Abstreifer BG P500N	MOLLA X RASCHIATORE SEZIONE 0.6	
12	U701.006	ANELLO ELASTICO 3.2 UNI 7434	SNAP RING 3.2 UNI 7434	ANNEAU ELASTIQUE	Sicherungsring ø3.2 elastisch	ANELLO ELASTICO 3.2 UNI 7434	
13	9111.539.060	FORCELLA PER RASCHIATORE	FORK FOR SCRAPER	FOURCHE POUR RACLETTE	Gabel zu Trichter	FORCELLA PER RASCHIATORE	
14	9110.067.060	ASS.RASCHIATORE X SG500/700	SCRAPER ASS.FOR CAPPUCGINAT. TUB	RACLETTE COOMPLET	Abstreifer kplf. Brühergruppe SG	ASS.RASCHIATORE X SG500/700	
15	U110.013	VITE AUT.TCB 3.9X6.5 DIN 7981 F	screw AUT.TCB 3.9X6.5 DIN 7981 F	VIS .TCB 3.9X6.5 DIN 7981 F NIK	Schraube 3,9X6,5	VITE AUT.TCB 3.9X6.5 DIN 7981 F	
16	140321462	OR 2018 SILICONE	O-RING 2018 SILICONE	JOINT 2018	O-Ring 2018 Silikon	OR 2018 SILICONE	
17	9972.057	TUBO SILICONE 5X8 L.2000MM	SILICONE TUBE 5X8 L.2000MM	TUBE SILICONE MARRON L2M 5X8	Siliconschlauch 5x8, l=2mtr.,bra	TUBO SILICONE MARRON 5X8 L.2000	
18	9111.348	UGELLO EROGAZIONE DIR.	STRAIGHT DISPENSING NOZZLE	BOSE EROGATION DIR	Produktauslaufanschluß gerade P5	UGELLO EROGAZIONE DIR	
19	322001201	RASCHIATORE MOBILE MARRON TYP ST	MOBILE SCRAPER BROWN NARROW	RECEPTACLE MOUTURE DIGITAL	Trichter Brühergruppe SA, P-Geräte	RASCHIATORE MOBILE MARRON TYP ST	
20	9161.425	MOLLA X TRAMOGGIA	SPRING FOR SCRAPER	RESSORT DE TREMIS	Federbügel zu Trichter	MOLLA X TRAMOGGIA	
21	129851921	VITE TSP M3X6 UNI 7688 INOX	TSP SCREW M3X6 UNI 7688 SS	VIS TSP M3X6 UNI 7688	Senkschraube M3x6 DIN 965 INOX	VITE TSP M3X6 UNI 7688 INOX	
22	324000200	DOCCIA AC.INOX D=34 X GRUPPO	SS PERCOLATOR D=34 FOR UNIT	GRILLE INFERIEURE	Sieb ø34	DOCCIA AC.INOX D=34 X GRUPPO	
23	222711101	AS.CONT.CAF.MAC.D=36	BROWN GROUND COFFCONTAINER D=36	CHAMBRE GROUPE CAFE	Brühkammer braun	AS.CONT.CAF.MAC.D=36	
24	9161.021.060	CHIAVE X GRUPPO CAFFE' MARRON	KEY FOR BREW UNIT BROWN	CLE DE GROUPE CAFE	Einsteilschlüssel für Brühinheit	CHIAVE X GRUPPO CAFFE' MARRON	fino mat. 9009DCS0017542
25	9160.032.060	GRUPPO CAFFE' DA 10P 7GR MARRON	BREW UNIT DA 10P 7 GRAMS BROWN	GROUPE CAFE 7GR MARRON	Brühergruppe 7 gr. braun	GRUPPO CAFFE' DA 10P 7GR MARRON	fino mat. 9010DCS0018058
26	11005421	GRUPPO CAFFE' 7GR CRISTALLO600	BREW UNIT 7 GRAMS CRISTALLO600	GROUPE CAFE 7GR CRISTALLO600 HS1	Brühergruppe 7g Cristallo 400/600	GRUPPO CAFFE' 7GR CRISTALLO600	da matr. 9010DCS0018059
26	11023330	GRUPPO CAFFE' 7GR DOCCIA	BREW UNIT 7 GRAMS	GROUPE CAFE 7GR HS2	Brühergruppe 7g	GRUPPO CAFFE' 7GR DOCCIA	fino mat. 9009DCS0017542
26	9160.078.060	GRUPPO CAFFE' C/RASCHIATORE 7GR	BROWN BREW UNIT DA 10P 7 GRAMS	GROUPE CAFE 7GR NEW 10 P/G700	Brühergruppe kplf. 7gr	GRUPPO CAFFE' C/RASCHIATORE 7GR	
27	11013053	CARTER X GRUPPO CAFFE'	CARTER FOR DOSER UNIT	PROTECTION GROUPE CAFE	Abdeckung Brühergruppe	CARTER X GRUPPO CAFFE'	da matr. 9010DCS0018059
28	11012630	DOCCIA ELFO D.34	PERCOLATOR D.34	GRILLE INFERIEUR D.34	Sieb Brühergruppe oben d=34	DOCCIA ELFO D.34	da matr. 9010DCS0018059
29	129852821	VITE TSP M3X14 UNI 7688 INOX	TSP SCREW M3X14 UNI 7688 SS	VIS TSP M3X14 UNI 7688 SS	Senkkopfschraube 3x10	VITE TSP M3X14 UNI 7688 INOX	

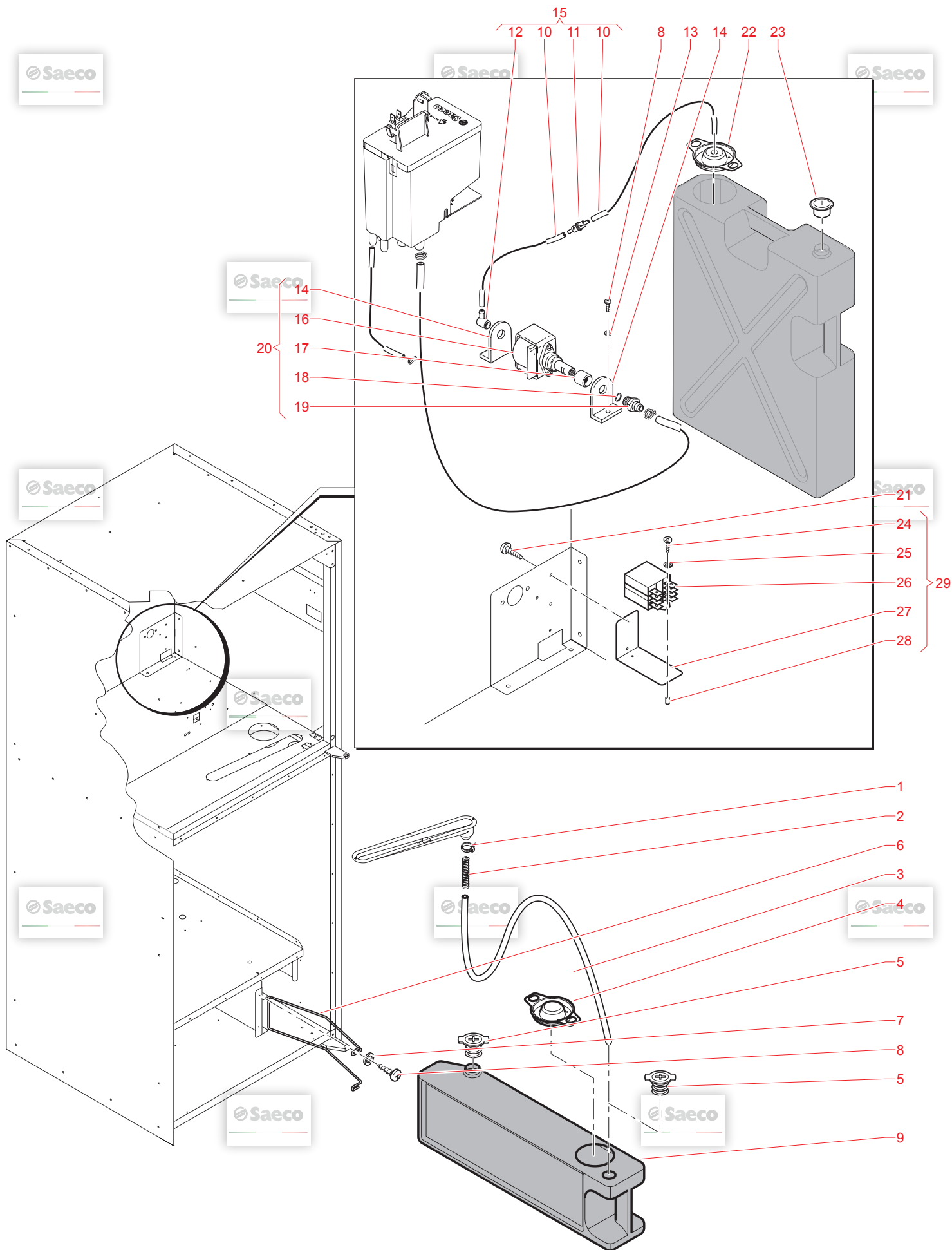


N.POSI	COD	I - DESCRIZIONE	UK - DESCRIPTION	F - DESCRIPTION	D - BEZEICHNUNG	E - DESCRIPCION
1	U143.022	VITE T.M.T. K.F.R. 3.5X9.5 ZNP	screw T.M.T. K.F.R. 3.5X9.5 ZNP	VIS T.M.T. K.F.R. 3.5X9.5 ZNP	Schraube 3,5x9,5 ZNP	VITE T.M.T. K.F.R. 3.5X9.5 ZNP
2	9111.436.050	GUIDA STD SX IN LAMIERA X CELLA	WHEEL STD GUIDE IN SH-METAL FOR C	GUIDE GAUCHE	Führungsschiene links	GUIDA STD SX IN LAMIERA X CELLA
3	9111.251.050	ROTELLA X GUIDE NERO	WHEEL FOR GUIDE BLACK	ROUE DE GUIDE	Scheibe zu Schiene	ROTELLA X GUIDE NERO
4	9111.271	PERNO X ROTELLE	PIN FOR WHEELS	AXE DE ROULETTE	Stift für Rädchen CS	PERNO X ROTELLE
5	U302.001	DADO ESAGONALE M5 UNI 5588 ZNP	nut HEXAGONAL M5 UNI 5588	ECROU M5 UNI 5588 ZNP	Mutter M5	DADO ESAGONALE M5 UNI 5588 ZNP
6	9111.435	CUSCINETTO TRIC T28F5 COSMEC	BEARING TRIC T28F5 COSMEC	ROUNDELLE	Hohlrinne d=4, 8x18 Aluminium	CUSCINETTO TRIC T28F5 COSMEC
7	NF11.064	RIVETTO AD ESPANSIONE D.4.8X18 A	PLAIN WASHER 5.5X15 UNI 6593 GA	RONDELLE	Scheibe 5,5x15, verzinkt	RIVETTO AD ESPANSIONE D.4.8X18 A
8	U207.009	ROSETTA PIANA 5.5X15 UNI 6593 ZN	LEFT INCLINED GUIDE IN SH.MET. F	RONDELLE	Führungsschiene links	ROSETTA PIANA 5.5X15 UNI 6593 ZN
9	9111.443.050	GUIDA INCL.SX IN LAMIERA X CELLA	LEFT INCLINED GUIDE IN SH.MET. F	GUIDE INCLINE GAUCHE	Führungsschiene links	GUIDA INCL.SX IN LAMIERA X CELLA
10	9111.250.050	FERMO X ALBERO MOTORE SPIRALE NE	RETAINER FOR SPIRAL MOTOR SHAFT	CLIPS DE BLOCAGE MOTEUR SPIRAL	Blockierung zu Nockenwelle Spira	FERMO X ALBERO MOTORE SPIRALE NE
11	9111.504	MOLLA X MOTORE SPIRALE MAGG	SPRING FOR SPIRALS MOTOR	RESSORT POUR MOTEUR SPIRALE	Feder zu Getriebemotor	MOLLA X MOTORE SPIRALE MAGG
12	9121.142.00P	MOTORIDUTTORE SINGOLO 24V	RATOMOTOR SINGLE 24V	MOTEUR SPIRALE SINGPLE 24V	Getriebemotor FIBER 24V	MOTORIDUTTORE SINGOLO 24V
13	9111.247.050	ALBERO X MOTORE SPIRALI NERO	SHAFT FOR SPIRALS MOTOR BLACK	AXE MOTEUR MINISNACK	Nockenwelle sz. zu Spiralemotor	ALBERO X MOTORE SPIRALI NERO
14	9111.248.050	GHIERA X SPIRALE DX-SX NERO	RING NUT FOR LEFT -RIGHT SPIRAL	CAME MOTEUR SPIRALE	Nutmutter sz. zu Spirale	GHIERA X SPIRALE DX-SX NERO
15	9120.030.00P	ASS.MOTORIDUTTORE 24V C/SCHEDA	RATOMOTOR SINGLE 24	MOTEUR SIMPLE 24V	Getriebemotor kpl. 24V ei	ASS.MOTORIDUTTORE 24V C/SCHEDA
16	9111.484.050	ASS.SEPARATORE X BOTTIGLIE LAMIE	BOTTLES SEPARATOR	SEPARATEUR METALLIQUE BOITE EN U	Trennblech zu Flaschen	ASS.SEPARATORE X BOTTIGLIE LAMIE
17	9111.081	ASS.GUIDA STD + ROTELLA SX	BOTTLES SEPARATOR	SEPARATEUR BOUTEILLE EN L	Trennblech L-Form zu Produktfla	ASS.GUIDA STD + ROTELLA SX
18	9111.040.050	ASS.SEPARATORE L X BOTTIGLIE	BOTTLES SEPARATOR	ENS. GUIDE STD GAUCHE	Führung kpl. links zu Produktfla	ASS.SEPARATORE L X BOTTIGLIE
19	9110.083	ASS.GUIDA STD SX	GUIDE ASS.	ENS. GUIDE STD GAUCHE	Führung kpl. links zu Produktfla	ASS.GUIDA STD SX
20	U324.006	DADO M4 FLANGIATO BASE DENTELLAT	NUT M4 FLANGED INDENTED BASE	ECROU	Sechskantmutter M4 DIN 934	DADO M4 FLANGIATO BASE DENTELLAT
21	9110.085	ASS.GUIDA INCLINATA SX	GUIDE ASS.	ENS. GUIDE INCLINE GAUCHE	Führung kpl. links zu Produktfla	ASS.GUIDA INCLINATA SX
22	1602.984	TARGHETTA PER SPIRALE	LABEL FOR SPIRAL	ETIQUETTE POUR SPIRALE	Schildchen für Spiralen 56	TARGHETTA PER SPIRALE
23	1602.983	ASS.GUIDA INCLINATA + ROTELLA SX	PRICE DATA PLATE	PLAQUETTE PRIX COMPOSABLES	Preisschilder BP36	ASS.GUIDA INCLINATA + ROTELLA SX
24	9110.089	ASS.GUIDA INCLINATA + ROTELLA SX	GUIDE ASS.	ENS.GUIDE PLATEAU INCLINE GAUCHE	Führung links zu Produktflach kpl	ASS.GUIDA INCLINATA + ROTELLA SX
25	9121.193.00P	MOTORIDUTTORE DOPPIO 24V	RATOMOTOR DOUBLE 24V	MOTEUR SPIRALE DOUBLE 24V	Getriebemotor Fiber 2 Anschl. 24	MOTORIDUTTORE DOPPIO 24V
26	9120.031.00P	ASS.MOTORIDUTTORE FIBER DOPPIO 2	ADH.CABLE RETAIFOUND CABLE D=10	MOTEUR SPIRALE DOUBLE COMBI	Getriebemotor kpl. Snack doppel	ASS.MOTORIDUTTORE FIBER DOPPIO 2
27	NE17.002	FERMACAVO ADES.X CAVI TONDI D=10	SHEET METAL GUIDE FOR SPIRALS	PLAQUETTE DE TENUE	Kabelhalterung ITW 99-0255-1100	FERMACAVO ADES.X CAVI TONDI D=10
28	9111.460.050	GUIDA X SPIRALI IN LAMIERA	PARALLELOGRAM IN PLASTICS	GUIDE SPIRALE	Spiralführung	GUIDA X SPIRALI IN LAMIERA
29	9111.440.050	PARALLELOGRAMMA IN PLASTICA	PARALLELOGRAM IN PLASTICS	PARALLELOGRAMME PLASTIQUE	Schiene CS Instant N	PARALLELOGRAMMA IN PLASTICA
30	9111.254.940	SPIRALE D.70 P 75 DX CROMO	SPIRAL D.70 P 75 RIGHT CHROME	SPIRALE D.70 P 75 PROD.DROITE	Spirale d70 P75 rechts (für P5er	SPIRALE D.70 P 75 DX CROMO
30	9111.275.940	SPIRALE DISTRIB. D.65 P35 SX CRO	DISTRIB. SPIRAL D.65 P35 LEFT CH	SPIRALE D65 P35 13 PRODUITS GAUC	Spirale d65 P35 links chrom	SPIRALE DISTRIB. D.65 P35 SX CRO
30	9111.276.940	SPIRALE DISTRIB. D.65 P24 SX CRO	DISTRIB. SPIRAL D.65 P24 LEFT CH	SPIRALE D65 P24 19 PRODUITS GAUC	Spirale d65 P24 links chrom	SPIRALE DISTRIB. D.65 P24 SX CRO
30	9111.277.940	SPIRALE DISTRIB. D.65 P45 SX CRO	DISTRIB. SPIRAL D.65 P45 LEFT CH	SPIRALE D65 P45 10 PRODUITS GAUC	Spirale d65 P45 links (opt.ca 9	SPIRALE DISTRIB. D.65 P45 SX CRO
30	9111.278.940	SPIRALE DISTRIB. D.65 P75 SX CRO	DISTRIB. SPIRAL D.65 P75 LEFT CH	SPIRALE D65 P75 6 PRODUITS GAUC	Spirale d65 P75 links chrom	SPIRALE DISTRIB. D.65 P75 SX CRO
30	9111.279.940	SPIRALE DISTRIB. D.65 P35 DX CRO	DISTRIB. SPIRAL D.65 P35 RIGHT C	SPIRALE D65 P35 13 PRODUITS DROI	Spirale d65 P35 rechts (für ca.	SPIRALE DISTRIB. D.65 P35 DX CRO
30	9111.280.940	SPIRALE DISTRIB. D.65 P24 DX CRO	DISTRIB. SPIRAL D.65 P24 RIGHT C	SPIRALE D65 P24 19 PRODUITS DROI	Spirale d65 P24 rechts (für ca.	SPIRALE DISTRIB. D.65 P24 DX CRO
30	9111.281.940	SPIRALE DISTRIB. D.65 P45 DX CRO	DISTRIB. SPIRAL D.65 P45 RIGHT C	SPIRALE D65 P45 10 PRODUITS DROI	Spirale d65 P45 rechts (dopt.ca	SPIRALE DISTRIB. D.65 P45 DX CRO
30	9111.282.940	SPIRALE DISTRIB. D.65 P75 DX CRO	DISTRIB. SPIRAL D.65 P75 RIGHT C	SPIRALE D65 P75 6 PRODUITS DROI	Spirale d65 P75 rechts chrom	SPIRALE DISTRIB. D.65 P75 DX CRO
30	9111.584.940	SPIRALE DISTRIB. D.65 P20 DX CRO	DISTRIB. SPIRAL D.65 P20 RIGHT C	SPIRALE D65 P20 23 PRODUITS DROI	Spirale d65 P20 rechts chrom	SPIRALE DISTRIB. D.65 P20 DX CRO
30	9111.603.940	SPIRALE D.70 P 90 DX	SPIRAL D.70 P 90 RIGHT	SPIRALE D65 P17 27 PRODUITS DROI	Produkspirale d=65, P17 rechts	SPIRALE D.70 P 90 DX
30	9111.604.940	SPIRALE D.65 P 40 DX	SPIRAL D.65 P 40 RIGHT	SPIRALE D65 P40 11 PRODUITS DROI	Spirale d65 P90 rechts chrom	SPIRALE D.65 P 40 DX
30	9111.605.940	SPIRALE D.65 P 57 DX	SPIRAL D.65 P 57 RIGHT	SPIRALE D65 P57 8 PRODUITS DROI	Produkspirale d=65, P40 rechts	SPIRALE D.65 P 57 DX
30	9111.608.940	SPIRALE D.70 P 85 DX	SPIRAL D.65 P 85 RIGHT	SPIRALE D70 P 85 DROITE	Spirale d65 P57 rechts chrom	SPIRALE D.70 P 85 DX
30	9111.611.940	SPIRALE D.65 P 50 DX	SPIRAL D.65 P 50 RIGHT	SPIRALE D65 P50 9 PRODUITS DROI	Produkspirale d=70, P85 rechts	SPIRALE D.65 P 50 DX
31	9111.292.050	UNGHIA X SPIRALE	TONGUE FOR SPIRAL	EJECTEUR PRODUITS	Halterung Spirale	UNGHIA X SPIRALE
32	9111.429.050	CLIP X CAVI CASSETTO SPIRALI	CLIP FOR SPIRALS DRAWER CABLES	CLIP CASSETTE SPIRALE	Clip zu Kabel Spiralen	CLIP X CAVI CASSETTO SPIRALI
33	9111.431.050	SEPARATORE X CASSETTO SPIRALI	DIVIDER FOR PRODUCTS DRAWER	SEPARATEUR POUR TIROIRS SPIRALES	Trennleiste zu Spiralfach	SEPARATORE X CASSETTO SPIRALI
34	9111.461.050	PONTE X BOTTIGLIE/LATTINE NERO	BRIDGE FOR BOTTLES/TINS	GUIDE BOTTES NOIR	Gleitchiene sz. für Flaschen/Do	PONTE X BOTTIGLIE/LATTINE NERO
35	NV01.001	PIEDINO ADESIVO	ADHESIVE FOOT	PIED ADHESIF	Gerätefuß sz. selbstklebend	PIEDINO ADESIVO
36	9111.444.050	CASSETTO PRODOTTI 6 SPIRALI	PRODUCTS DRAWER 6 SPIRALS	TIROIR SPIRAL 6 PRODUITS	Schublade für Produkte 6 Spirale	CASSETTO PRODOTTI 6 SPIRALI
37	0875.982	FOGLIO PREZZI PROD. CASSETTI 6 S	PRICE LIST DRAWERS PROD. 6 SP	ETIQUETTE PRIX PRODUIT COMBI	Preisaufkleber für Comb. Snack	FOGLIO PREZZI PROD. CASSETTI 6 S
38	9111.465.050	CUFFIA X CONNETTORI CASSETTO	SHROUD FOR DRAWER CONNECTORS	CASQUE POUR CONNECTEUR TIROIRS	Support zu Bügel Spiralfach 8 Fl	CUFFIA X CONNETTORI CASSETTO
39	U142.007	PANELVIT TSP 3.0X10 DIN 7505 A Z	PANELVIT TSP 3.0X10 DIN 7505 A G	VIS TSP 3.0X10 DIN 7505 A GAL	SPAX-SCHR. 3x10 DIN 7505A VERZIN	PANELVIT TSP 3.0X10 DIN 7505 A Z
40	9111.439	MOLLA X PARALLELOGRAMMA	SPRING FOR PARALLELOGRAM	RESSORT	Feder für Schiene CS	MOLLA X PARALLELOGRAMMA
41	9111.438	LAMIERA X FISS.SUPP.PARALLELOGRA	SHEET TO FIX SUPPARALLELOGRAM	CYLINDRE	Halterung für Parallelogramm	LAMIERA X FISS.SUPP.PARALLELOGRA
42	U044.004	VITE TSPC M3.0X12 UNI 7688 ZNP	screw TSPC M3.0X12 UNI 7688 GALV	ECROU M3 UNI 5588 ZNP	Senkschraube M3x12 DIN 965 verz.	VITE TSPC M3.0X12 UNI 7688 ZNP
43	U201.002	DADO ESAGONALE M3 UNI 5588 ZNP	nut HEXAGONAL M3 UNI 5588	RONDELLE	Mutter M3	DADO ESAGONALE M3 UNI 5588 ZNP
44	U201.001	ROSETTA PIANA 3.2X9 DIN 7349 ZNP	PLAIN WASHER 3.2X9 DIN 7349 GALV	RONDELLE	Scheibe 3,2 DIN 7349 verz.	ROSETTA PIANA 3.2X9 DIN 7349 ZNP
45	U043.028	VITE TCBC M3.0X10 UNI 7687 ZNP	screw TCBC M3.0X10 UNI 7687 GALV	SUPPORT PLASTIQUE D'AXE	Schraube TCBC M3,0x10 DIN 7985 v	VITE TCBC M3.0X10 UNI 7687 ZNP
46	9111.432.050	SUPP.PLASTICA X ASTA CONTRASTO	PLASTIC SUPPORT FOR CONTRAST ROD	SUPPORT PLASTIQUE D'AXE	Support zu Bügel Spiralfach 8 Fl	SUPP.PLASTICA X ASTA CONTRASTO
47	U315.001	DADO QUADRO M4 UNI 5596 ZNP	nut SQUARE M4 UNI 5596 GALV.	ECROU M4 UNI 5596 GALV.	Mutter M4 UNI 5596 quadratisch	DADO QUADRO M4 UNI 5596 ZNP
48	U207.002	ROSETTA PIANA 4.3X9 UNI 6592 ZNP	PLAIN WASHER 4.3X9 UNI 6592 GAL	RONDELLE 4.3 9 UNI6592 ZNP	Schraube M4x10 UNI 7687 ZNP	ROSETTA PIANA 4.3X9 UNI 6592 ZNP
49	129824002	VITE TCB M4X10 UNI 7687 ZNP	TCB SCREW M4X10 UNI 7687 ZNP	VIS TCB M4X10 UNI 7687	Schraube M4x10	VITE TCB M4X10 UNI 7687 ZNP
50	9111.485	GOMMINO FINECORSAX CASSETTO	END STOP RUBBER FOR DRAWER	CAOUTCHOUC FIN DE COURSE	Ausklebung für Produktflach	GOMMINO FINECORSAX CASSETTO
51	9110.082	ASS.GUIDA STD + ROTELLA DX	GUIDE ASS.	ENS. GUIDE+ROULETTES DROIT	Führung kpl. rechts zu Produktf	ASS.GUIDA STD + ROTELLA DX
52	9111.480.050	STAFFA CONTRASTO BOTT. 6SP. NERO	BOTTLES CONTRAST ROD 6SP BLACK	BARRE POUR BOUTEILLES 6SP NOIRE	Führung kpl. rechts zu Produktf	STAFFA CONTRASTO BOTT. 6SP. NERO
53	9110.084	ASS.GUIDA STD DX	GUIDE ASS.	ENS. GUIDE STD DROIT	Führung kpl. rechts zu Produktf	ASS.GUIDA STD DX
54	9111.458.050	PROFILO ALLUMINIO X ETICHETTE 6S	ALU STRIP FOR LABELS 6S	PROFILE DE PLATEAU ALU 6S	Profil für Serviceik/Serviceiten A	PROFILO ALLUMINIO X ETICHETTE 6S

N.POSI COD	I - DESCRIZIONE	UK - DESCRIPTION	F - DESCRIPTION	D - BEZEICHNUNG	E - DESCRIPCION	NOTE
54	9111.515.050	CH. LABEL HOLDER PROFILE	PROFILE DE PLATEAU	Profil für ServiceikServiceieten A	PROFILO PORTAETICHETTE MOD	Saeco
55	9110.086	GUIDE ASS.	ENS. GUIDE INCLINE DROIT	Führung kpl. rechts zu Produkt	ASS.GUIDA INCLINATA DX	Saeco
56	9110.090	GUIDE ASS.	ENS.GUIDE PLATEAU INCLINE DROIT	Führung rechts zu Produktfach kp	ASS.GUIDA INCLINATA + ROTELLA DX	Saeco
57	9111.442.050	RIGHT STD. GUIDE IN SH.METAL.FOR	GUIDE DROIT	Führungsschiene rechts	GUIDA STD DX IN LAMIERA X CELLA	Saeco
58	9111.437.050	RIGHT INCLINED GUIDE IN SH.MET.F	GUIDE INCLINE DROIT	Führungsschiene rechts	GUIDA INCL.DX IN LAMIERA X CELLA1	Saeco



N.POSI	COD	I - DESCRIZIONE	UK - DESCRIPTION	F - DESCRIPTION	D - BEZEICHNUNG	E - DESCRIPCION	NOTE
1	9121.190.00A	GRUPPO FRIGO COMBI	FRIDGE UNIT COMBI	GRUPE FROID COMBISNACK	Kühlgruppe CS	GRUPPO FRIGO COMBI	
1	9121.190.00N	GRUPPO FRIGO COMBI	GRUPPO FRIGO COMBI	GRUPE FROID COMBISNACK	KÜHLGRUPPE KOMPLETT CS 120V UL	GRUPPO FRIGO COMBI	
1	9121.236.00F	GRUPPO FRIGO COMBI UL 120V	FRIDGE UNIT COMBI UL 120V	NON UTILISEE PAR LA FRANCE ET BE	Schlebe 5.3x20x1.5 ZNP	GRUPPO FRIGO COMBI	
2	U212.005	ROSETTA 5.3X20X1.5 ZNP	WASHER 5.3X20X1.5 GALV	RONDELLE 5.3X20X1.5 GALV.	Seitenblende links zu Kühlaggr.	PANNELLO LAT. SX GRUPPO FRIGO	
3	0875.288	PANNELLO LAT. SX GRUPPO FRIGO	LAT. LEFT PANEL FRIDGE GROUP	PANNEAU LAT GAUCHE	Zylindergruppe TCEI M8x20		solo UL
4	U023.019	VITE TCEI M8X20 UNI 5931 ZIN	SCREW TCEI M8X20 UNI 5931 ZIN	VIS TCEI M8X20 UNI 5931 ZIN	Linsen-Blechs. 3.5x9.5 DIN 7981	VITE AUT.TCB 3.5X9.5 DIN 7981 C	
5	U109.003	VITE AUT.TCB 3.5X9.5 DIN 7981 C	SCREW TCB 3.5X9.5 DIN 7981 C NICK	VIS TCB3.5X9.5DIN7981CNIK	Kondensator NB6144GK 59mF 330V	CONDENSATORE NB6144GK 59mF 330V	
6	0875.R02	CONDENSATORE NB6144GK 59mF 330V	CONDENSER 53-64 MF 330V	CONDENSATEUR 53-64 MF 330V	KONDENSATOR NB6144GK 145-174 MF	CONDENSATORE NB6144GK-A-CSIR 230V	
6	0875.R13	CONDENSATORE NB6144GK 145-174MF1	CONDENSER NB6144GK 145-174MF165V	CONDENSATEUR NB6144GK 145-174MF1	Kompressor NB6144GK-a-CSIR 230V	COMPRESSORE NB6144GK-A-CSIR 230V	
7	0875.R01.00A	COMPRESSORE NB6144GK-A-CSIR 230V	COMPRESSOR 230V	COMPRESSEUR 230V	Kompressor NB6144GK-a-CSIR 230V	COMPRESSORE NB6144GK-A-CSIR 120V	fino mat. 9003DCS0005118
7	0875.R01.00F	COMPRESSORE NB6144GK-G-CSIR 120V	COMPRESSOR AEZ4425Z-H 220V60HZ	COMPRESSEUR AEZ4425Z-H 220V60HZ	Kompressor NB6144GK-a-CSIR 230V	COMPRESSORE NB6144GK-G-CSIR 120V	da matr. 9003DCS0005119
7	20006720	COMPRESSORE AEZ4425Z-H 220V60HZ	COMPRESSOR AEZ4425Z-H 220V60HZ	COMPRESSEUR AEZ4425Z-H 220V60HZ	Ventilator A200-28 230V	COMPRESSORE AEZ4425Z-H 220V60HZ	
8	0875.R05.00A	MOTOVENTILATORE NET4T052VN015	FAN NET4T052VN015	VENTILATEUR GROUPE FROID	VENTILATOR 110V NUR UL	MOTOVENTILATORE NET4T052VN015	
8	0875.R05.00F	MOTOVENTILATORE NET3T09PVM302	FAN NET3T09PVM302	NON UTILISEE PAR LA FRANCE ET BE	Ventilator motor CS	MOTOVENTILATORE NET3T09PVM302	
9	9121.178.00A	MOTORE VENTOLA FANLAB	FAN MOTOR FANLAB	MOTEUR VENTILATION	Ventilator motor 24V CS	MOTORE VENTOLA FANLAB	
9	9121.220.00P	MOTORE VENTOLA SUNON EEC0382B2-0	FAN MOTOR ADDA 24V	MOTEUR VENTILATION 24VOLT	Verdunster 1420270A00	MOTORE VENTOLA SUNON EEC0382B2-0	
10	0875.R04	EVAPORATORE 1420270A00	EVAPORATOR 1420270A00	EVAPORATEUR 1420270A00	VERDUNSTER 1420270A00UL	EVAPORATORE 1420270A00	
10	0875.R14	EVAPORATORE 1420270A00UL	EVAPORATOR 1420270A00UL	EVAPORATEUR 1420270A00UL	Temperatursonde Breakpoint	EVAPORATORE 1420270A00	
11	0875.645	SONDA DI TEMPERATURA ARIA	AIR TEMPERATURE PROBE	SONDE TEMPERATURE AIR	Kondensator 0830210P00	SONDA DI TEMP. EVAPORATORE N.V.	
12	0875.R03	CONDENSATORE 0830210P00	CONDENSER	CONDENSEUR 0830210P00	Kondensator 0830210P00	CONDENSATORE 0830210P00	
13	9121.189	BASAMENTO SUPPORTO COMPRESSORE	SUPPORT BUMPER COMPRESSOR	SOCLE SUPPORT	Grundplatte zu Kompressor	CONDENSATORE 0830210P00	
14	0875.289	PANNELLO FRONTALE GRUPPO FRIGO	FRONT PANEL FRIDGE GROUP	PANNEAU LATERAL	Fronplatte Kühlaggregat	CONDENSATORE 0830210P00	
15	11008677	MONTANTE SUPPORTO CASSETTI 8/10	DRAWER SUPPORT UPRIGHT 8/10	PANNEAU LATERAL DROIT	AUFNAHMEPLATTE OBERE VENTILATORE	CONDENSATORE 0830210P00	
16	U127.011	VITE TAPT.TCB M5.0X8 DIN 7500C Z	screw TAPT.TCB M5.0X8 DIN 7500C	VIS TAPT.TCB M5.0X8 DIN 7500C	Schraube M5x8 DIN 7500 C ZNP	VITE TAPT.TCB M5.0X8 DIN 7500C Z	
17	0875.655	SONDA DI TEMP. EVAPORATORE N.V.	EVAPORATOR TEMP. PROBE N.V.	SONDE TEMPERATURE EVAPORATEUR	Temperatursonde Verdampfer	SONDA DI TEMP. EVAPORATORE N.V.	
18	11012509	TUBO SPIRALITE 20X15 L.200MM	SPIRALITE TUBE 20X15 L.200MM		Zylinderschr. M8x14 DIN 912 INOX		
19	U023.002	VITE TCEI M8.0X14 UNI 5931 INO	screw TCEI M8.0X14 UNI 5931 SS	VIS TCEI M8.0X14 UNI 5931 SS	Abdeckung Kühlung		
20	11008682	PANNELLO LAT. DX GRUPPO FRIGO 8/	LAT. RIGHT PANEL FRIDGE GROUP	PLAQUE LATERAL	Isolierung zu Seitenblende recht		
21	0875.298	ISOLANTE X PANN. LATERALE SX FRI	INSULATOR FOR LAT.LEFT FRIDGE PA	ISOLANT	Montagewinkel		
22	0875.333	SQUADRETTA X REED LIVELLO SCARIC	BRACKET FOR REED LEVEL DUMPING	EQUERRE COMBI SNACK NIVEAU EAU	Reedeschalter CS	CABLAGGIO REED X SERBATOI	
23	0875.659	CABLAGGIO REED X SERBATOI	HARNES REED FOR TANK	CABLE REED BAC EAU USEES	Hohlrinne d=2,8x8 Alu	RIVETTO AD ESPANS. D=2,9X8MM ALL	
24	NF11.015	RIVETTO AD ESPANS. D=2,9X8MM ALL	EXPANSION RIVET D=2,8X8 ALU	ATTACHES	Linsen-Blechs. 2.9x6.5 DIN 7981	VITE TCB 2.9X6.4 DIN 7981 NIK	
25	129511803	VITE TCB 2.9X6.4 DIN 7981 NIK	SCREW TCB 2.9X6.4 DIN 7981 NICK	VIS 2.9*6.4 DIN 7981	CARTER PROTEZIONE EVAPORATORE 8/	CARTER PROTEZIONE EVAPORATORE 8/	
26	11008679	CARTER PROTEZIONE EVAPORATORE 8/	EVAPORATOR CASING PROTECTION 8/1	CARTER DE PROTECTION 8/10	Abdeckung ANSCHLUßLEISTE	CARTER PROTEZIONE EVAPORATORE 8/	
27	11008681	PIASTRA X CONNETTORI CASSETTI 8/	PLATE FOR DRAWER CONNECTORS 8/10	PLAQUE POUR CONNECTEURS	Führung kpl. links zu Produktfa	ASS.GUIDA STD SX	
28	9110.083	ASS.GUIDA STD SX	GUIDE ASS.	ENS. GUIDE STD GAUCHE			



N.POSI COD	I - DESCRIZIONE	UK - DESCRIPTION	F - DESCRIPTION	D - BEZEICHNUNG	E - DESCRIPCION	NOTE
1	NV99.079	PIPE WRENCH BAIL D=23-35/9	PINCE D=23-35/9	Schlauchklemme D=23-35/9	FASCETTA STRINGITUBO D=23-35/9	
2	0875.415	SPRING FOR TUBE L.550	RESSORT FOR TUBE L.550	Feder für Abflüßkanal	MOLLA X TUBO L.550	
3	0875.414	TUBE UNLOADED L.850	TUBE EVACUATION	Auslaufschlauch L=850	TUBO DI SCARICO L.850 SERB.AUT.	
4	9991.199	CAP FOR TANK COMBI	BOUCHON DE BAC EAUX USEES	Deckel zu Wassertank d=80	TAPPO X SERBATOIO COMBI	
5	1601.130	TAP	BOUCHON RESERVOIR KIT AUTONOME	Deckel Auslaß/Wassertank	TAPPO X BECCUCCIO SERB.RECUP.ACQ	
6	0875.339	SPRING FOR TANK	RESSORT	SPRING FOR TANK	MOLLA X TANICA LIQUIDI DI SCARIC	
7	U201.005	PLAIN WASHER 4.3X12 DIN 7349 GAL	RONDELLE 4.3X12 DIN 7349 ZNP	Scheibe 4.3x12 DIN 7349 verz.	ROSETTA PIANA 4.3X12 DIN 7349 ZN	
8	U109.013	SCREW TCB 3.5X13 UNI 6954 NIK	VIS AUT.TCB 3.5X13 DIN 7981 C	Linse-Blechschr. 3.5x13 DIN 798	VITE TCB 3.5X13 UNI 6954 NIK	
9	0875.274	TANK FOR LIQUIDS DISCHARGE	RESERVOIR EAU	Restwasserbehälter für Kfz/Wasse	SERBATOIO X LIQUIDI SCARICO	
10	9972.057	SILICONE TUBE 5X8 L.2000MM	TUBE SILICONE MARRON L2M 5X8	Siliconschlauch 5x8, l=2mtr.,bra	TUBO SILICONE MARRON 5X8 L.2000	
11	144650300	ASPIRATION FILTER GAUZE NET 500	FILTRE D'ASPIRATION	Wassersfilter 952 D=8 nur Express	FILTRO IN ASPIRAZ.RETE 500 OV	
12	147920150	90° INLET PUMP CONNECTOR	RACCORD 90° CAOUTCHOU	Pumpenanschluswinkel 90° weiß Ku	RAC.INGRESSO A 90° POMPA NEU.	
13	U207.004	PLAIN WASHER 4.3X16 UNI 6592 GAL	RONDELL 4.3*16 UNI6592ZNP	Unterlagscheibe 4.3x16 UNI 5931	ROSETTA PIANA 4.3X16 UNI 6592 ZN	
14	149185850	EATON PUMP SUPPORT 4002012 MAGIC	SUPPORT DE POMPE	Pumpenhalterung Typ EATON sz.	SUPP.POMPA EATON MAGIC 4002012	
15	1776.A01	INTAKE TUBE ASS. WATER	ENS. TUBE EAU L.230-800	ZULAUFSCHLAUCH L=230-800	ASS.TUBO INGRESSO ACQUA L.230-80	
16	9070.034.00A	POMPE ULKA EP7	POMPE ULKA EP7	Pumpe Ulka EP7 230V	POMPA ULKA EP7 230V	
17	9070.034.00F	ULKA PUMP EP7 120V	POMPE ULKA EP7	Pumpe Ulka EP7 120V	POMPA ULKA EP7 120V	
18	9071.098	REINFORCEMENT FOR ULKA PUMP	NON UTILISEE PAR LA FRANCE ET BE	Verstärkung zu Ulka-Pumpe	RINFORZO X POMPA ULKA	
19	140321961	O-RING 2031 TERMOIL	JOINT 2031	O-Ring 2031 EPDM	OR 2031 TERMOIL	
20	11028475	CONNECTOR FOR TUBE 8X 12	RACCORD POUR TUBE 8X12	RACCORD ZU SCHLAUCH 8X12	RACCORDO X TUBO 8X12 TEA	
21	2025.A02.00A	PUMP ASS.	ENS. POMPE 230V	PUMPE KPLT. 230V	ASS.POMPA 230V	
22	2025.A02.00F	PUMP ASS.	ENS. POMPE 120V	PUMPE KPLT.120V	ASS.POMPA 120V	
23	U109.016	screw AUT.TCB 3.9X13 DIN 7981 C	VIS TCB3.9X13DIN7981C NIK	Schraube 3.9x13 DIN 7981C	VITE AUT.TCB 3.9X13 DIN 7981 C N	
24	9991.200	CAP PERFORATED FOR TANK COMBI	BOUCHON POUR BIDON AUTO.	BLINDABDECKUNG TANK	TAPPO FORATO X SERBATOIO COMBI	
25	9991.210	CAP KAPSTO GPN350 D.30.4 MM	CACHE KAPSTO GPN350 D.30.4 MM	ABDECKUNG KAPSTO GPN350 D=30.4	TAPPO KAPSTO GPN350 D. 30.4 MM	
26	129512503	SCREW TCB 2.9X9.5 DIN 7981 NICK	VIS TCB 2.9X9.5 DIN 7981	Linse-Blechs. 2.9x9.5 DIN 7981	VITE TCB 2.9X9.5 DIN 7981 NIK	
27	U207.003	PLAIN WASHER 3.2X7 UNI 6592 GALV	RONDELLE 3.2X7 UNI 6592 ZNP	Scheibe A3 2 DIN 125 verz.	ROSETTA PIANA 3.2X7 UNI 6592 ZNP	
28	NE13.080	POWER RELAY	RELAIS PUISSANCE	Relais CS Instant N	RELE'DI POTENZA DEVIATORE FINDER	
29	2025.001	RELE SUPPORT	SUPPORT RELAIS	RELAIHALTER	RELE'DI POTENZA DEVIATORE FINDER	
30	NV01.008	HOOD FOR DISPEN COMPARTMENT SPRI	CAPUCHON DE RESSORT	Schutzkappe Federbügel	CAPPuccio X MOLLA VANO EROGAZION	
31	2025.A01	PLATE ASS. RELE'	ENS PLAQUE RELAIS	PLATTE RELAIS	ASS.PIASTRA RELE'	

Il Costruttore si riserva il diritto di modificare, senza preavviso, le caratteristiche delle apparecchiature presentate in questa pubblicazione; declina inoltre ogni responsabilità per le eventuali inesattezze imputabili ad errori di stampa e/o trascrizione contenute nella stessa.

Le istruzioni, i disegni, le tabelle e le informazioni in genere contenute nel presente fascicolo sono di natura riservata e non possono essere riprodotte ne completamente ne parzialmente od essere comunicate a terzi senza l'autorizzazione scritta del Costruttore che ne ha la proprietà esclusiva.

The manufacturer reserves the right to modify, without prior notice, the characteristics of the equipment described in this publication; and further declines to accept any responsibility for any inaccuracies contained in this publication which can be ascribed to printing and/or transcription errors.

All instructions, drawings, tables and information contained in this publication are confidential and can neither be reproduced, completely or in part, nor be transmitted to third parties without the written permit of the Manufacturer, who has the sole ownership.

Le fabricant se réserve le droit de modifier, sans préavis, les caractéristiques des appareils présentes dans cette publication; en outre, elle decline toute responsabilité pour d'éventuelles inexactitudes imputables à des erreurs d'impression et/ou de transcription.

Tous droits de reproduction, complète ou partielle, des instructions, des dessins, des tableaux et de toutes les informations contenues dans cette publication sont réservés. Aucune communication à un tiers ne peut être faite sans une autorisation par écrit du Constructeur qui en a la propriété exclusive.

Der Hersteller behält sich das Recht vor, die Eigenschaften der hier beschriebenen Geräte ohne Voranzeige zu ändern und lehnt gleichzeitig jede Verantwortung für mögliche Unrichtigkeiten ab, die auf Druckfehler oder Abschreibfehler zurückzuführen sind.

Alle Anweisungen, Zeichnungen, Tabellen und Informationen, die im allgemeinen im vorliegenden Band enthalten sind, müssen als vertraulich betrachtet werden und können weder teilweise noch vollständig reproduziert bzw an Dritte ohne die schriftliche Ermächtigung des Herstellers weitergegeben werden, der das Alleineigentum besitzt.

El Constructorse reserva el derecho de modificar, sin previo aviso, las características de los aparatos presentados en esta publicación; además declina toda responsabilidad por los eventuales inexactitudes imputables a errores de imprenta y/o transcripción contenidos en la misma.

Las introducciones, los dibujos, las tablas y las informaciones en general contenidos en este fascículo son de tipo reservado y no se pueden reproducir, completamente o en parte, ni comunicar a terceros si la autorización escrita del Fabricante, el cual tiene la propiedad exclusiva.

