

# Cristallo 400

230V - 50Hz  
120V - 60Hz



|    |          |
|----|----------|
| IT | Italiano |
| EN | English  |
| FR | Français |
| DE | Deutsch  |
| ES | Español  |

(IT)

(EN)

(FR)

(DE)

(ES)

**SOMMARIO**

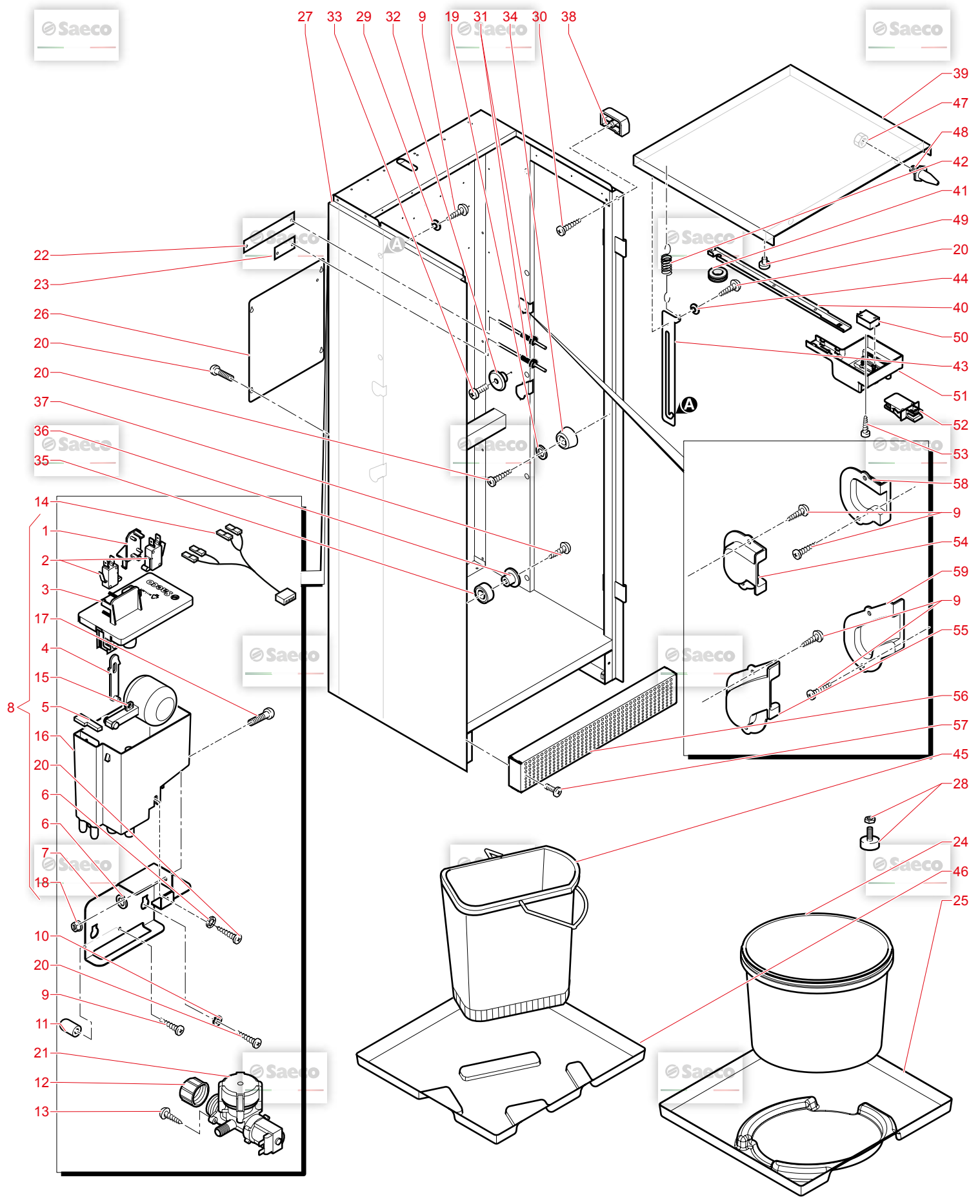
**INDEX**

**INDEX**

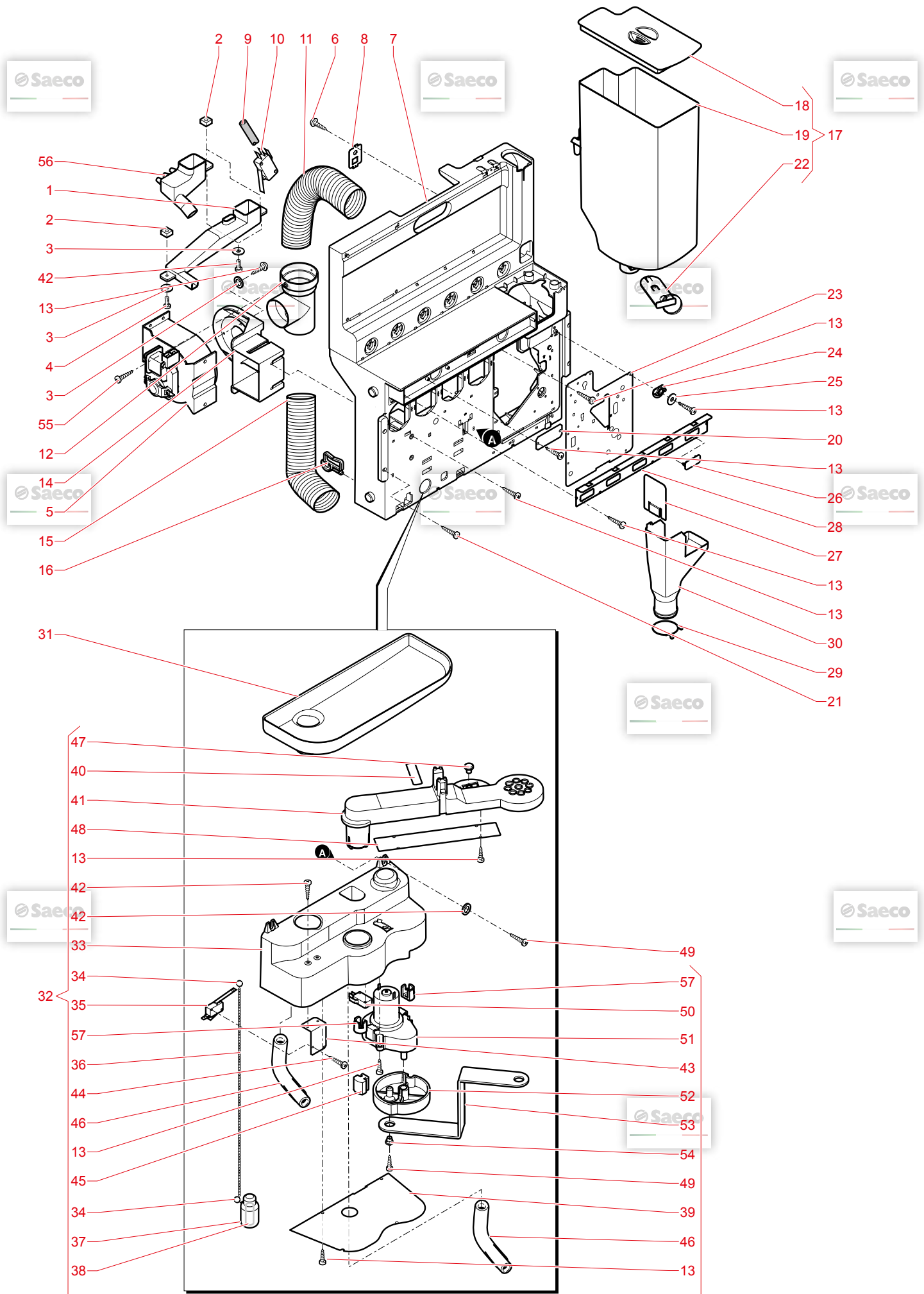
**VERZEICHNIS**

**INDICE**

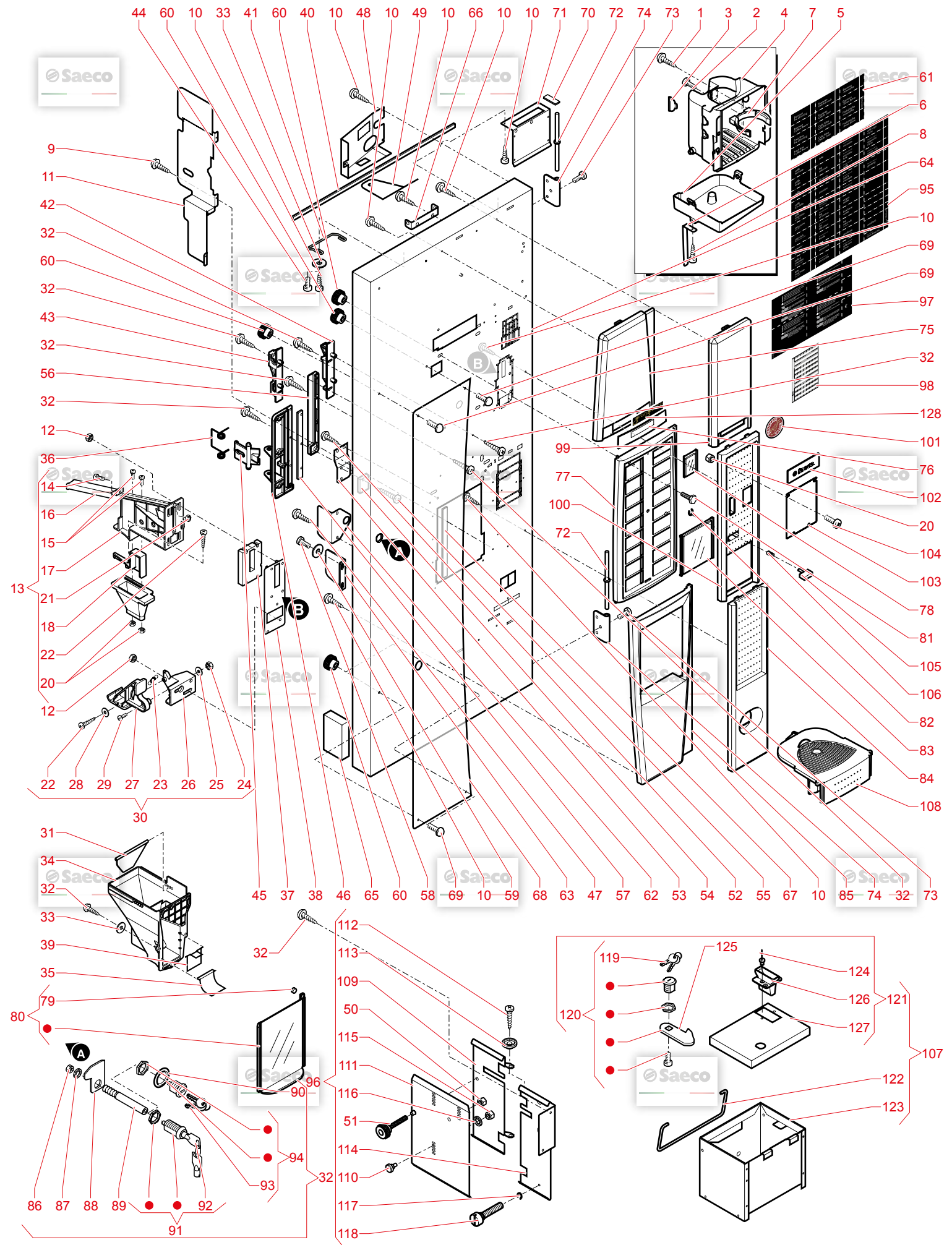
|                |                                      |                                  |                                  |                                 |                                   |
|----------------|--------------------------------------|----------------------------------|----------------------------------|---------------------------------|-----------------------------------|
| <b>Tav. 01</b> | Mobile                               | Unit                             | Meuble                           | Unterschrank                    | Mueble                            |
| <b>Tav. 02</b> | Contentitore ugelli e braccio ugelli | Coffee container and nozzle arm  | Réipient café et bras buses      | Kaffebehälter und Düsenarm      | Contenedor café y brazo boquillas |
| <b>Tav. 03</b> | Porta                                | Door                             | Porte                            | Tür                             | Puerta                            |
| <b>Tav. 04</b> | Non presente                         | Not present                      | Non présent                      | Nicht vorhanden                 | No presente                       |
| <b>Tav. 05</b> | Circuito idraulico                   | Hydraulic circuit                | Circuit hydraulique              | Hydraulikkreislauf              | Circuito hidráulico               |
| <b>Tav. 06</b> | Contentitori                         | Containers                       | Réipients                        | Behälter                        | Contenedores                      |
| <b>Tav. 07</b> | Gruppo erogazione                    | Dispensing group                 | Groupe de distribution           | Brühgruppe                      | Grupo dispensación                |
| <b>Tav. 08</b> | Gruppo caldaia e motori              | Heater and motors group          | Groupe chaudière et moteurs      | Kesselgruppe und Motoren        | Grupo caldera y motores           |
| <b>Tav. 09</b> | Non presente                         | Not present                      | Non présent                      | Nicht vorhanden                 | No presente                       |
| <b>Tav. 10</b> | Distributore bicchieri               | Cup dispenser                    | Distributeur gobelets            | Becherspender                   | Distribuidor vasos                |
| <b>Tav. 11</b> | Distributore zucchero/palette        | Dispenser of scoops and sugar    | Distributeur sucre/palettes      | Rührstäbchen-und Zuckerspender  | Distribuidor paletas y azúcar     |
| <b>Tav. 12</b> | Impianto elettrico                   | Electric system                  | Installation électrique          | Elektrisches System             | Instalación eléctrica             |
| <b>Tav. 13</b> | Gruppo caffè 7 grammi                | 7-gram coffee group              | Groupe café 7 grammes            | Kaffeegruppe 7 Gramm            | Grupo café 7 gramos               |
| <b>Tav. 14</b> | Gruppo caffè 9 grammi                | 9-gram coffee group              | Groupe café 9 grammes            | Kaffeegruppe 9 Gramm            | Grupo café 9 gramos               |
| <b>Tav. 15</b> | Gruppo caldaia HS1 e motori          | Heater HS1 and motors group      | Groupe chaudière HS1 et moteurs  | Kesselgruppe HS1 und Motoren    | Grupo caldera HS1 y motores       |
| <b>Tav. 16</b> | Non presente                         | Not present                      | Non présent                      | Nicht vorhanden                 | No presente                       |
| <b>Tav. 17</b> | Circuito idraulico HS1 HS2           | Hydraulic circuit HS1 HS2        | Circuit hydraulique HS1 HS2      | Hydraulikkreislauf HS1 HS2      | Circuito hidráulico HS1 HS2       |
| <b>Tav. 18</b> | Gruppo caldaia HS2                   | Heater group HS2                 | Groupe chaudière HS2             | Kesselgruppe HS2                | Grupo caldera HS2                 |
| <b>Tav. 19</b> | Gruppo caffè 7 grammi Gran gusto     | 7-gram coffee group "Gran gusto" | Groupe café 7 grammes Gran Gusto | Kaffeegruppe 7 Gramm Gran Gusto | Grupo café 7 gramos Gran Gusto    |
| <b>Tav. 20</b> | Contentitori                         | Containers                       | Réipients                        | Behälter                        | Contenedores                      |
| <b>Tav. 21</b> | Macinadosatore                       | Grinder doser                    | Moulin-doseur                    | Mahlwerk-Dosierer               | Molinillo dosificador             |



| N.POSI | COD          | I - DESCRIZIONE                       | UK - DESCRIPTION                   | F - DESCRIPTION                  | D - BEZEICHNUNG                   | E - DESCRIPCION                       |
|--------|--------------|---------------------------------------|------------------------------------|----------------------------------|-----------------------------------|---------------------------------------|
| 1      | 9161.207.150 | SUPP.MICRO RUB.M5000 GRI.             | GREY FAUCET MICRO SUPPORT M5000    | MICRO PISUPPORT BUISE            | Montagewinkel zu Microschalter    | SUPP.MICRO RUB.M5000 GRI.             |
| 2      | NE05.062     | MICROINTERRUTTORE CROTELLO            | MICROSWITCH + WHEEL                | MICROCONTACT                     | Mikroschalter zu Schwimmer        | MICROINTERRUTTORE CROTELLO            |
| 3      | 9111.623     | COPERCHIO X SERBATOIO AIR BREAK       | LID TANK AIR BREAK                 | COVERLE BAC TAMPON               | DECKEL ZU AIRBREAK                | COPERCHIO X SERBATOIO AIR BREAK       |
| 4      | 9111.621     | BIELLA X SERBATOIO ACQUA              | CONNECTING ROD TANK WATER          | BIELLE BAC TAMPON                | Hebel zu Ausgleichsbehälter       | BIELLA X SERBATOIO ACQUA              |
| 5      | 9111.632     | GOMMINO X AIR BREAK                   | RUBBER FOR AIR BREAK               | GARNITURE BAC TAMPON             | GUMMI ABDECKUNG                   | GOMMINO X AIR BREAK                   |
| 6      | U207.009     | ROSETTA PIANA 5.5X15 UNI 6593 ZN      | PLAIN WASHER 5.5X15 UNI 6593 GA    | RONDELLE                         | Scheibe 5.5x15, verzinkt          | ROSETTA PIANA 5.5X15 UNI 6593 ZN      |
| 7      | U324.003     | DADO M5 FLANGIATO BASE DENTELLAT      | ASS M5 FLANGED INDENTED BASE       | ECROU                            | Mutter M5 mit Flansch             | DADO M5 FLANGIATO BASE DENTELLAT      |
| 8      | 11006703     | ASS.AIR BREAK CRISTALLO400            | ASSEMBLY AIR BREAK CRISTALLO400    | AIR BREAK FS400                  | Air Break kpl. CRISTALLO 400      | ASS.AIR BREAK CRISTALLO400            |
| 9      | U143.022     | VITE T.M.T. K.F.R. 3.5X9.5 ZNP        | screw T.M.T. K.F.R. 3.5X9.5 ZNP    | ENTRETOISE D.8                   | Schraube 3.5x9.5 ZNP              | VITE T.M.T. K.F.R. 3.5X9.5 ZNP        |
| 10     | 11011054     | PERNO X BORCHIA D.8 POM               | pin FOR BOSS D.8                   | PIN FOR BOSS D.8                 | PIN FOR BOSS D.8                  | PERNO X BORCHIA D.8 POM               |
| 11     | 11011008     | CAPPUCCIO X MOLLA VANO EROGAZION      | HOOD FOR DISPEN.COMPARTMENT SPRI   | CAUCHON DE RESSORT               | Schutzkappe Federbügel            | CAPPUCCIO X MOLLA VANO EROGAZION      |
| 12     | NV03.002     | "TAPPO 3/4" "KAPSTO 800R 3/4" ""      | "CAP 3/4" "KAPSTO 800R 3/4" ""     | BOUCHON 3/4 KAPSTO 800R 3/4      | ABDECKUNG 3/4"                    | "TAPPO 3/4" "KAPSTO 800R 3/4" ""      |
| 13     | U110.002     | VITE AUT.TCB 3.5X13 DIN 7981 F Z      | screw AUT.TCB 3.5X13 DIN 7981 F    | VIS TCB 3.5X13                   | Linsen-Blechschr. 3.5x13 DIN 798  | VITE AUT.TCB 3.5X13 DIN 7981 F Z      |
| 14     | 11001279     | CABLAGGIO MICRO AIR BREAK UL          | HARNES MICRO AIR BREAK UL          | CABLAGE MICRO AIR BREAK UL       | Verkabelung Mikroschalter Airbre  | CABLAGGIO MICRO AIR BREAK             |
| 15     | 9111.508     | GALLEGGIANTE X VASCETTA AIR BRE       | FLOAT FOR AIR BREAK BOWL           | FLOTTEUR BAC TAMPON              | SCHWIMMER                         | GALLEGGIANTE X VASCETTA AIR BRE       |
| 16     | 9111.641     | SERBATOIO AIR BREAK C/FORO            | TANK AIR BREAK                     | BAC TAMPON                       | AIRBREAK /TANK INSTANT            | SERBATOIO AIR BREAK C/FORO            |
| 17     | U043.015     | VITE T.CBC M5.0X12 UNI 7687 ZNP       | screw T.CBC M5.0X12 UNI 7687 GALV. | VIS T.CBC M5.0X12 UNI 7687 GALV. | Schraube M5x12 DIN 7985 verz.     | VITE T.CBC M5.0X12 UNI 7687 ZNP       |
| 18     | 1863.015     | SUPPORTO AIR BREAK                    | AIR BREAK SUPPORT                  | SUPPORT AIR BREAK                | Support zu Ausgleichsbehälter     | SUPPORTO AIR BREAK                    |
| 19     | U203.001     | ROSETTA PIANA 4.3X8 UNI 1749 ZNP      | PLAIN WASHER 4.3X8 UNI 1749 GAL    | RONDELLE 4.3X8 UNI 1749 ZNP      | Scheibe 4.3 x 8 verzinkt          | ROSETTA PIANA 4.3X8 UNI 1749 ZNP      |
| 20     | U110.005     | VITE AUT.TCB 3.9X9.5 DIN 7981 F       | screw AUT.TCB 3.9X9.5 DIN 7981 F   | VIS AUT.TCB 3.9X9.5 DIN 7981 F   | Linsenblechschrabe 3.9x9.5 DIN    | VITE AUT.TCB 3.9X9.5 DIN 7981 F       |
| 21     | 9121.057.00P | ELETTROVALVOLA DI SICUREZZA 24V       | SAFETY ELECTROVALVE 24V DC         | ELECTROVANNE SECURITE 24V DC     | Elektroventil 24VDC P10           | ELETTROVALVOLA DI SICUREZZA 24V       |
| 22     | 11000371     | PANNELLO ISPEZIONE LED SCHEDA I/      | PANEL INSPECTION LED BOARD I/O 9   | PANNEAU INSPECTION LED BOARD I/O | Abdeckung LED Anzeigen I/O Board  | PANNELLO ISPEZIONE LED SCHEDA I/      |
| 23     | 11008157     | PIASTRINA X PANNI ISPEZ.LED SCHEDA I/ | PLATE FOR PANEL INSPECTION CADR L  | PLAQUE POUR PANNIEAU INSPECTION  | Abdeckung LED Anzeigen nur UL     | PIASTRINA X PANNI ISPEZ.LED SCHEDA I/ |
| 24     | 11000372     | PANNELLO ISPEZIONE LED SCHEDA II/     | PANEL INSPECTION LED BOARD I/O 3   | PANNEAU INSPECTION LED BOARD I/O | Abdeckung LED Anzeigen I/O Board  | PANNELLO ISPEZIONE LED SCHEDA II/     |
| 25     | 11008185     | PIASTRINA X PANNI ISPEZ.LED SCHEDA    | PLATE FOR PANEL INSPECTION CADR L  | PLAQUE POUR PANNIEAU INSPECTION  | Abdeckung LED Anzeigen nur UL     | PIASTRINA X PANNI ISPEZ.LED SCHEDA    |
| 26     | 12002042     | SECCHIO OVALE 328X250X300 NERO        | BUCKET UTILPLASTIC 328X250X300 B   | SEAU PLASTIQUE NOIR              | Abwaschwanne Cristallo            | SECCHIO OVALE 328X250X300 NERO        |
| 27     | 12002654     | VASCA DI FONDO NEW CRISTALLO          | BOTTOM TUB                         | BAC RECUP EAUX                   | Schmutzauffangwanne               | VASCA DI FONDO NEW CRISTALLO          |
| 28     | 11001957     | PANNELLO POSTERIORE ISPEZIONE         | PANEL BACK INSPECTION              | PANNEAU ARRIERE INSPECTION       | Revisionsklappe hinten bis Serin  | PANNELLO POSTERIORE ISPEZIONE         |
| 29     | 11005970     | PANNELLO ISPEZIONE POSTERIORE NV      | BACK PANEL INSPECTION NEW VERSIO   | PANNEAU ARRIERE INSPECTION NOUVE | PANNELLO ISPEZIONE POSTERIORE NV  | PANNELLO ISPEZIONE POSTERIORE NV      |
| 30     | 11003474     | CARCASSA FS400 BEIGE MET.             | FS400 BEIGE MET. CHASSIS           | CARROSSERIE FS 400 BEIGE         | Gehäuse FS400 beige/met.          | CARCASSA CRISTALLO400 NERO            |
| 31     | 11004292     | CARCASSA CRISTALLO400 NERO            | FS400 BLACK MET. CHASSIS           | CARROSSERIE FS 400 NOIR          | Gehäuse FS400 black               | CARCASSA CRISTALLO400 NERO            |
| 32     | 11014294     | PIEDINO D.34 H.35 CON DADO M10        | FOOT D.34 H.35 WITH nut M10        | PIED D.34 H.35                   | GERÄTEFUß                         | PIEDINO D.34 H.35 CON DADO M10        |
| 33     | 1602.147     | BOCCOLA X BIELLA SPORTELLO            | BUSH FOR DOOR CONNECTING ROD       | BILOCAGE ET BIELLE DE PORTE      | Hülse zu Pleuel/Tür-Produktkausga | BOCCOLA X BIELLA SPORTELLO            |
| 34     | U109.003     | VITE AUT.TCB 3.5X9.5 DIN 7981 C       | SCREW TCB 3.5X9.5 DIN 7981 C NIC   | VIS TCB3.5X9.5DIN7981CNK         | Linsen-Blechs. 3.5x9.5 DIN 7981   | VITE AUT.TCB 3.5X9.5 DIN 7981 C       |
| 35     | NF11.102     | RIVETTO 4.8X8 ALL./FERRO NERO         | RIVET 4.8X8 ALUMINIUM/IRON BLACK   | RIVET 4.8X8                      | Niete 4,8x8                       | RIVETTO 4.8X8 ALL./FERRO NERO         |
| 36     | 9111.763     | ***PERNO SICUREZZA X PIASTRA MON      | screw T.CBC M5.0X20 UNI 7687 GALV. | VIS T.CBC M5.0X20 UNI 7687 GALV. | Montagelatte mit Bolzen           | ***PERNO SICUREZZA X PIASTRA MON      |
| 37     | U043.014     | VITE T.CBC M5.0X20 UNI 7687 ZNP       | FOOT BUFFER D.20 X H10             | PATIN SUPPORT D.20 X H10         | Linsen-Blatts. M5x20 DIN 7985 ve  | VITE T.CBC M5.0X20 UNI 7687 ZNP       |
| 38     | 11001013     | PIEDINO PARACOLPI D.20 X H10          | FOOT BUFFER D.20 X H10             | ROUE DE PORTE                    | Gummipuffer zu Fronttüre          | PIEDINO PARACOLPI D.20 X H10          |
| 39     | 11003474     | RULLO X SPORTELLO FS400               | FS400 DOOR WHEEL                   | ROUE DE PORTE                    | Rolle zu Türe FS400               | RULLO X SPORTELLO FS400               |
| 40     | 11006477     | BOCCOLA X RULLO PORTA FS400 D.IN      | FS400 DOOR PIVOT FOR WHEEL         | PIVOT POUR ROUE                  | Rollenbush zu Türe                | BOCCOLA X RULLO PORTA FS400 D.IN      |
| 41     | 12000780     | VITE TSPC M4.0X20 UNI 7688 ZNP        | screw TSPC M4.0X20 UNI 7688 GALV   | WEDGE FOR CHASSIS COVER          | Senkschraube M4x20 DIN 965 INOX   | VITE TSPC M4.0X20 UNI 7688 ZNP        |
| 42     | 11000387     | ZEPPA X COPERTURA CARCASSA            | ZEPPA FOR CHASSIS COVER            | CAICHE POUR COUVEROLE SUPERIEUR  | Keil zu Gehäuseabdeckung          | ZEPPA X COPERTURA CARCASSA            |
| 43     | 11001934     | COPERCHIO SUPERIORE FS400 BEIGE       | FS400 UPPER COVER MET. BEIGE       | COVERCLE SUPERIEUR FS400 BEIGE   | Gehäuseabdeckung FS400            | COPERCHIO SUPERIORE FS400 BEIGE       |
| 44     | 11014292     | COPERCHIO SUPERIORE CRISTALLO400      | FS400 UPPER COVER MET. BLACK       | COVERCLE SUPERIEUR FS400 NOIR    | Gehäuseabdeckung FS400            | COPERCHIO SUPERIORE CRISTALLO400      |
| 45     | 1863.034     | CANALINA SPORTELLO SUPERIORE          | CHANNEL FOR DOOR CABLES            | GOULOTTE POUR CABLES DE PORTE    | Abdeckung zu Tür oben             | CANALINA SPORTELLO SUPERIORE          |
| 46     | NE16.002     | PASSAFILO D.11X20.5XH.7               | GR0MMET D.11X20.5XH.7              | PASSAGE DE CABLE D.11X20.5XH.7   | Kabelführung d=11x20.5 h=7        | PASSAFILO D.11X20.5XH.7               |
| 47     | 11008175     | MOLLA X SPORTELLO SUPERIORE CRIS      | SPRING FOR UPPER DOOR CRISTALLO4   | RESSORT PORTE CRISTALLO 400      | Rückholfeder für Oberklappe       | MOLLA X SPORTELLO SUPERIORE CRIS      |
| 48     | 1863.038     | STAFFA SPORTELLO SUPERIORE            | STIRRER UPPER DOOR                 | TRINGLE                          | Steg zu Tür oben                  | STAFFA SPORTELLO SUPERIORE            |
| 49     | 0875.113     | BOCCOLA X PIASTRINO SCORREVOLLE       | BUSH FOR SLIDING PLATE             | RONDELLE DE GLISSEMENT           | Hülse zu Schiebepfähtchen         | BOCCOLA X PIASTRINO SCORREVOLLE       |
| 50     | 12000031     | SECCHIO UTILPLASTIC 18262 KOUROUS     | BUCKET UTILPLASTIC 18262 KOUROUS   | SEAU PLASTIQUE ROUGE             | ABWASSERBEHÄLTNER                 | SECCHIO UTILPLASTIC 18262 KOUROUS     |
| 51     | U1000551     | VASCA DI FONDO                        | BOTTOM TUB                         | ECROU M6                         | Schmutzauffangwanne Cristallo     | VASCA DI FONDO                        |
| 52     | U324.004     | DADO M6 FLANGIATO BASE DENTELLAT      | UT M6 FLANGED INDENTED BASE        | EMBOUT INSERTION COUVERCLE       | Bohzen zu Gehäuseabdeckung        | DADO M6 FLANGIATO BASE DENTELLAT      |
| 53     | 1863.071     | PERNO X COPERTURA CARCASSA            | PIN FOR CASING COVER               | PIED D.12 X H2.5                 | Gerätesfuß D.12 x H2.5            | PERNO X COPERTURA CARCASSA            |
| 54     | 11001016     | PIEDINO D.12XH.2.5                    | FOOT D.12 X H2.5                   | MICROCONTACT                     | Mikroschalter D.12 x H2.5         | PIEDINO D.12XH.2.5                    |
| 55     | NE05.054     | MICROINTERRUTTORE CROUZET F83161      | MICROSWITCH CROUZET F83161.9       | MICROCONTACT                     | Mikroschalter Abschaltung Armbew  | MICROINTERRUTTORE CROUZET F83161      |
| 56     | 1863.035.A20 | SUPPORTO MICRO PORTA                  | SUPPORT FOR MICRO DOOR             | SUPPORT SWITCH DE PORTE          | Support Mikrosch. Türe            | SUPPORTO MICRO PORTA                  |
| 57     | NE05.039     | MICROINTERRUTTORE BIPOLARE            | BIPOLAR MICROSWITCH                | MICRO INTERRUP/BIPOLAIRE         | Mikroschalter, Türe 2-polig 230 V | MICROINTERRUTTORE BIPOLARE            |
| 58     | NE05.061     | MICROINT.BIPOLARE XTD 22AZ1           | MICROSWITCH CHERRY D413 .V3LD      | MICROINT.BIPOLAIRE XTD 22AZ1     | Mikroschalter, 2-polig XTD 22AZ1  | MICROINT.BIPOLARE XTD 22AZ1           |
| 59     | U116.006     | VITE AUT.PT TCB 3.5X12 WN 1441 Z      | SCREW AUT.PT TCB 3.5X12 WN 1441    | VIS AUT.PT TCB 3.5X12 WN 1441    | Linsen-Schraube 3.5x12 WN1441ZNP  | VITE AUT.PT TCB 3.5X12 WN 1441 Z      |
| 60     | 1863.017.A20 | GUIDA SUPERIORE SX PIASTRA            | UPPER GUIDE LEFT PLATE             | GUIDE SUPERIEUR GAUCHE           | Führung unten, links              | GUIDA SUPERIORE SX PIASTRA            |
| 61     | 11001935     | GRIGLIA INFERIORE SX PIASTRA          | LOWER GUIDE LEFT PLATE             | GUIDE INFERIEUR GAUCHE           | Führung unten, links              | GRIGLIA INFERIORE SX PIASTRA          |
| 62     | 11001935     | GRIGLIA INFERIORE FS400 BEIGE ME      | FS400 LOWER PANEL MET.BEIGE        | GRILLE INFERIEUR FS 400          | Blende 400/600 beige              | GRIGLIA INFERIORE FS400 BEIGE ME      |
| 63     | 11014232     | ZOCCOLO CRISTALLO400-600 NERO         | BASE CRISTALLO400-600 BLACK        | CACHE INF. CRISTALLO400-600 NOIR | Blende 400/600 schwarz            | ZOCCOLO CRISTALLO400-600 NERO         |
| 64     | 12002052     | VITE TCB MAX16 ZN-B                   | ZN-B TCB SCREW MAX16               | VIS TCBCHMAX16UNI7687ZNP         | LINSEN- BLECHSCHR. M4,0X16        | VITE TCB MAX16 ZN-B                   |
| 65     | 1863.018.A20 | GUIDA SUPERIORE DX PIASTRA            | UPPER GUIDE RIGHT PLATE            | GUIDE SUPERIEUR DROIT            | Führung rechts oben Montageplatt  | GUIDA SUPERIORE DX PIASTRA            |
| 66     | 1863.019.A20 | GUIDA INFERIORE DX PIASTRA            | LOWER GUIDE RIGHT PLATE            | GUIDE INFERIEUR DROIT            | Führung unten, rechts             | GUIDA INFERIORE DX PIASTRA            |



| N.POSI | COD          | I - DESCRIZIONE                   | UK - DESCRIPTION                 | F - DESCRIPTION                   | D - BEZEICHNUNG                   | E - DESCRIPCION                  | NOTE                     |
|--------|--------------|-----------------------------------|----------------------------------|-----------------------------------|-----------------------------------|----------------------------------|--------------------------|
| 1      | 9111.720.050 | COLLETTORE SCARICHI               | UNLOADING COLLECTOR              | CANAL DE SORTIE                   | Restwassertank                    | COLLETTORE SCARICHI              | fino mat. 9012FS40022814 |
| 2      | U315.001     | DADO QUADRO M4 UNI 5596 GALV.     | nut SQUARE M4 UNI 5596 GALV.     | ECROU M4 UNI 5596 GALV.           | Mutter M4 UNI 5596 quadratisch    | DADO QUADRO M4 UNI 5596 ZNP      |                          |
| 3      | U307.002     | ROSETTA PIANA 4.3X9 UNI 6592 ZNP  | PLAIN WASHER 4.3X9 UNI 6592 GAL  | RONDELL 4.3*9 UNI6592 ZNP         | Scheibe A4.3 DIN 125 verz.        | ROSETTA PIANA 4.3X9 UNI 6592 ZNP |                          |
| 4      | 129825002    | VITE TCB M4X20 UNI 7687 ZNP       | TCB SCREW M4X20 UNI 7687 ZNP     | VIS TCB M4x20 UNI 7687            | Linsenschraube M4x20 DIN 7985 ve  | VITE TCB M4X20 UNI 7687 ZNP      |                          |
| 5      | 11003905     | VENTILATORE CENTRIFUGO 120V UL    | CENTRIFUGAL FAN 120V UL          | NON UTILISEE PAR LA FRANCE ET LE  | Ventilator 120 V UL               | VENTILATORE CENTRIFUGO 120V UL   |                          |
| 6      | 9121.198.00A | VENTILATORE CENTRIFUGO CAP 07     | CENTRIFUGAL FAN CAP 07           | VENTILATEUR SF-400                | Zentrifugalventilator CAP 07      | VENTILATORE CENTRIFUGO CAP 07    |                          |
| 7      | U110.003     | VITE AUT.TCB 3.5X9.5 DIN 7981 F   | screw AUT.TCB 3.5X9.5 DIN 7981 F | VIS AUT.TCB 3.5X9.5 DIN 7981 F N  | Linsen-Blechschr. 3.5x9.5 DIN 79  | VITE AUT.TCB 3.5X9.5 DIN 7981 F  |                          |
| 8      | 9111.766     | PIASTRA PRINCIPALE                | MAIN PLATE                       | SUPPORT PRINCIPAL CHAUDIERE       | Hauptplatte                       | PIASTRA PRINCIPALE               |                          |
| 9      | 1883.004     | PIASTRA CONNETTORI MACINACAFFE'   | CONNECTING PLATE                 | PLAQUE DE MONTAGE                 | Platte Verbindungskabel Mahlwerk  |                                  |                          |
| 10     | NE05.018     | GUAINA DI PROTEZIONE              | SHEATH                           | GAINE DE PROTECTION               | Dichtung                          |                                  |                          |
| 11     | NE05.018     | MICROINTERRUTTORE                 | MICROSWITCH                      | MICRO INTERRUPTEUR                | Microschalter                     | MICROINTERRUTTORE                |                          |
| 12     | 0862.014     | ASPIRATORE TUBO L=290             | ASPIRATOR TUBE L=290             | EMBOUT D'ASPIRATION L=290         | Spiralschlauch d=45mm, l=290mm    | RACCORDO TUBO ASPIRAZIONE        |                          |
| 13     | 1111.640.060 | RACCORDO TUBO ASPIRAZIONE         | TUBE CONNECTOR                   | EMBOUT DE CONNECTION              | Anschluss zu Absaugung CS Instant | VITE PANELVIT TCB 3.5X16 TESTAD  |                          |
| 14     | 129670202    | VITE PANELVIT TCB 3.5X16 TESTAD   | TCB PANELVIT SCREW 3.5X16 TESTA  | VIS TCB 3.5X16 TESTA D=8 ZNP      | Blechschraube ST 3.5x16-Z1-C ver  |                                  |                          |
| 15     | 0862.145     | SUPPORTO ASPIRATORE               | SUPPORT                          | TUBE SPIRALE L.210MM              | Support Absauger                  | SUPPORTO ASPIRATORE              |                          |
| 16     | 9111.718     | TUBO SPIRALATO POLVERE L.210MM    | SPIRAL TUBE L.210MM              | TUBE SPIRALE L.210MM              | Spiralschlauch (Pulver) L.210MM   | TUBO SPIRALATO POLVERE L.210MM   |                          |
| 17     | 9110.139     | CLIP PASSACAVO                    | CLIP                             | CLIP                              | KABELCLIP                         |                                  |                          |
| 18     | 9111.728     | ASS.CONTENTITORE CAFFE'           | COFFEE CONT. ASS.                | COUVERGLE BACA CAFE               | Deckel Kaffebehälter              | ASS.CONTENTITORE CAFFE'          |                          |
| 19     | 9111.724     | COPERCHIO CONTENITORE CAFFE'      | COVER FOR COFFEE CONTAINER       | BOUCHON CANAL ASPIRATION          | Bohnenbehälter kpl. Cristallo     | COPERCHIO CONTENITORE CAFFE'     |                          |
| 20     | 11000793     | CONTENITORE CAFFE' IN GRANI       | CONTAINER FOR COFFEE BEAN        | BAC A CAFE                        | Bohnenbehälter                    | CONTENITORE CAFFE' IN GRANI      |                          |
| 21     | U023.009     | PIASTRINA ASPIRAZIONE MIXER       | MIXER ASPIRATION PLATE           | PLAQUE D'ASPIRATION MIXER         | Plättchen z. Luftabzug zu Mixer   | VITE TCEI M5.0X30 UNI 5931 8.8 B |                          |
| 22     | 11010736     | VITE TCEI M5.0X30 UNI 5931 8.8 B  | screw TCEI M5.0X30 UNI 5931 8.8  | FERMETURE BAC CAFE                | Schraube TCEI M5.0x30 UNI 5931    | ASS.GHIGLIOTTINA CAFFE'          |                          |
| 23     | 9111.711     | ASS.GHIGLIOTTINA CAFFE'           | INOX. PLATE                      | PLAQUE INOX                       | Verschluss Bohnenbehälter         |                                  |                          |
| 24     | 9111.717.270 | PIASTRA INOX ESPRESSO             | INOX. PLATE                      | FERMETURE BAC CAFE                | Edelstahlplatte Espresso          | PIASTRA INOX ESPRESSO            |                          |
| 25     | U207.001     | ROSETTA FISSAGGIO PIASTRA         | KNOB FIXING PLATE                | ECROU DE FIXATION                 | Knebel Befestigungsplatte         | ROSETTA PIANA 5.3X10 UNI 6592 ZN |                          |
| 26     | 9111.481.060 | TAPO CANALE ASPIRAZIONE           | PLAIN WASHER 5.3X10 UNI 6592 GAL | RONDELL 5.3*10 UNI6592 ZN         | Scheibe A5.3 DIN 125 verz.        | TAPO CANALE ASPIRAZIONE          |                          |
| 27     | 11002131     | CARTER X VASCA MIXER              | COLUMN CAP                       | BOUCHON CANAL ASPIRATION          | Blindabdeckung zu Absaugkanal     | CARTER X VASCA MIXER             |                          |
| 28     | 9111.712     | PIASTRA INOX X MIXERS             | CARTER FOR MIXER TANK            | CARTON POUR MIXEUR                | Winkel zu Mischbehälter           |                                  |                          |
| 29     | 0862.112     | ANELLO SACCO FONDI 8P             | INOX. PLATE FOR MIXERS           | GOULOTTE INOX POUR MIXERS         | Winkel zu Mischbehälter           |                                  |                          |
| 30     | 0862.111.050 | ANELLO SACCO FONDI 8P             | GROUNDNS SACK RING 8P            | ANNEAU SAC A MARC                 | Haltering für Kaffeesatztüte      |                                  |                          |
| 31     | 9111.714.420 | CONDOTTO X FONDI                  | GROUNDNS DUCT                    | CONDUIT                           | Rutsche für Kaffeesatz            |                                  |                          |
| 32     | 11028763     | VASCA MIXERS                      | TANK                             | CONDUIT                           | Tropfsaße Mixer Cristallo         |                                  |                          |
| 33     | 10332302     | ASS.BRACCIO UGELLI ETIL.          | ET LASSEMBLED NOZZLES ARM        | BAC RECUP EAUX MIXEURS            | Auslaufdüse kpl.                  |                                  |                          |
| 34     | 9111.148     | ASS.BRACCIO UGELLI CRISTALLO400   | NOZZLE ARM                       | ASS. BRACCIO UGELLI ETIL.         | Auslaufdüse FS400                 |                                  |                          |
| 35     | 11033186     | ASS.BRACCIO UGELLI                | NOZZLE ARM                       | SUPPORT SORTIE PRODUIT            | Auslaufdüse FS400                 |                                  |                          |
| 36     | 9111.709.A20 | SUPPORTO BRACCIO CRISTALLO LAVOR  | SUPPORT NOZZLE ARM               | SUPPORT SORTIE PRODUIT            | Support Schwenkarm                |                                  |                          |
| 37     | 9111.148     | ANELLO ELASTICO X GALLEGGIANTE    | SUPPORT NOZZLE ARM               | SUPPORT DE BRAS                   | Support Schwenkarm                |                                  |                          |
| 38     | NE05.041     | MICROINTERRUTTORE                 | ELASTIC RING FOR FLOAT           | ANNEAU POUR FLOTTEUR              | Drahting                          |                                  |                          |
| 39     | 9111.775     | CATENELLA X GALLEGGIANTE FS400    | CHAIN                            | MICRO INTERRUPTEUR                | Schwimmerschalter                 |                                  |                          |
| 40     | 140321560    | GALLEGGIANTE X LIVELLO SCARICO    | FLOAT FOR DISCHARGE LEVEL        | CHAINE                            | Kette zu Schwimmer                |                                  |                          |
| 41     | 1111.130     | CONTRAPPESO X GALLEGGIANTE        | COUNTERWEIGHT FOR FLOAT          | FLOTTEUR                          | SCHWIMMER                         |                                  |                          |
| 42     | 9111.147     | PIASTRA SUPPORTO BRACCIO          | PLATE                            | CONTREPOIDS                       | Schwimmerteil                     |                                  |                          |
| 43     | 140321560    | OR 3187 NBR                       | O-RING 3187 NBR                  | PLAQUE                            | Platte Support Auslaufdüse        |                                  |                          |
| 44     | 1111.710.A20 | BRACCIO GIREVOLE                  | NOZZLE ARM                       | BRAS MOBILE                       | O-Ring 3187 NBR                   |                                  |                          |
| 45     | 129512903    | VITE TCB PH-AB 2.9X13 UNI 6954 N  | SCREW TCB PH-AB 2.9X13 UNI 6954  | VIS TCB                           | SCHRAUBE M 2.9X13 UNI 6954 NIK    |                                  |                          |
| 46     | 9111.719     | PIASTRA MICRO GALLEGGIANTE        | PLATE                            | PLAQUE                            | Plättchen Mikrosch. Schwimmer     |                                  |                          |
| 47     | U109.003     | VITE AUT.TCB 3.5X9.5 DIN 7981 C   | RUBBER FOR DISPENSING COMP.      | GOMME                             | Schutzgummi                       |                                  |                          |
| 48     | 0875.150     | TUBO PVC 16x22 L.350mm            | RUBBER BUFFER                    | TUBE PVC 16x22 L.350 MM           | Gummipuffer                       |                                  |                          |
| 49     | 11001454     | GOMMINO X VANO EROGAZIONE         | RUBBER BUFFER                    | AVORTISSEUR                       | Platte Auslaufdüse                |                                  |                          |
| 50     | 11001009     | GOMMINO PARACOLPI                 | PLATE                            | PLAQUE                            | Schraube PTT TCB 3.5x16 WN 1441 Z |                                  |                          |
| 51     | 9111.723     | PIASTRA X BRACCIO                 | PIASTRA X BRACCIO                | PLAQUE                            | Microschalter                     |                                  |                          |
| 52     | U116.010     | VITE AUT.PTT TCB 3.5X16 WN 1441 Z | Microswitch                      | MICRO BAC EAUX USEES              | Mikroschalter Abtropfschale P5/3  |                                  |                          |
| 53     | NE05.002     | MICROINTERRUTTORE                 | MOTORIDUTTORE FIBER 37RPM        | MOTOREDUCTEUR 37RPM R150          | Getriebemotor FIBER 37 RPM        |                                  |                          |
| 54     | 11025284     | MOTORIDUTTORE FIBER 37RPM         | GEARMOTOR MECHTEX 25 RPM         | MOTEUR POUDEUR MECHTEX 25 RPM     | Getriebemotor MECHTEX 25 RPM      |                                  |                          |
| 55     | 11033191     | MOTORIDUTTORE MECHTEX 25 RPM      | STIRRER RATIONMOTOR FIBER        | MOTEUR PALETTE ET BRAS NEW 24V R  | Rührstabchenmotor 24V P10         |                                  |                          |
| 56     | 9121.107.00P | MOTORIDUTTORE PALETTE FIBER       | CAMM MOTOR                       | CAMME DE BRAS                     | Nockenscheibe Bruharm Cristallo   |                                  |                          |
| 57     | 9111.716.A20 | CAMMA BRACCIO                     | CONNECTING ROD ARM               | BIELLE DE BRAS                    | Pleuel Auslaufdüse                |                                  |                          |
| 58     | 9111.715     | BIELLA BRACCIO                    | BUSH FOR SPRING COMPENSATE STIRR | BOCOCOLA POUR RESSORT BALANCIER P | Buchse Feder Zuckportionierer     |                                  |                          |
| 59     | 9111.204     | BOCCOLA X MOLLA BILANCERE PALETT  | screw AUT.TCB 3.5X16 DIN 7981 C  | VIS TCB3.5X16DINT981CNIK          | Linsen-Blechs. 3.5x16 DIN 7981 N  |                                  |                          |
| 60     | U109.005     | VITE AUT.TCB 3.5X16 DIN 7981 C N  | SYPHON                           | SIPHON PERCE                      | Dichtung                          |                                  |                          |
| 61     | 11030483     | SIFONE FORATO                     | SPACER MOTOR ARM                 | ENTRETOISE MOTEUR BRAS            | SPACER MOTOR ARM                  |                                  |                          |
| 62     | 11033193     | SPESORE MOTORE BRACCIO            |                                  |                                   |                                   |                                  |                          |



| N.POSI | COD          | I - DESCRIZIONE                   | UK - DESCRIPTION                 | F - DESCRIPTION                   | D - BEZEICHNUNG                      | E - DESCRIPCION                   |
|--------|--------------|-----------------------------------|----------------------------------|-----------------------------------|--------------------------------------|-----------------------------------|
| 1      | U109.022     | VITE AUT.TCB 4.2X13 DIN 7981 C    | screw AUT.TCB 4.2X13 DIN 7981 C  | VIS AUT.TCB 4.2X13 DIN 7981 C     | Linsen-Blechs. 4.2x13 DIN 7981 N     | VITE AUT.TCB 4.2X13 DIN 7981 C N  |
| 2      | U019.005     | VITE STEI M5,0X10 UNI 5923 ZNP    | STEI SCREW M5,0X10 UNI 5923 GALV | VIS STEI M5,0X10 UNI 5923 GALV    | Slift 5x10 SG500 DIN 913 verz.       | VITE STEI M5,0X10 UNI 5923 ZNP    |
| 3      | 1863.013     | LENTE X VANO EROGAZIONE           | LENS FOR COMPARTMENT DISPENSER   | FENETRE POUR COMPARTIMENT DE DIS  | Kontrollleuchte Ausgaberaum          | LENTE X VANO EROGAZIONE           |
| 4      | 1863.012.050 | VANO EROGAZIONE                   | COMPARTMENT DISPENSER            | RECEPACLE GOBELETS                | Becherausgabefach Cristallo          | VANO EROGAZIONE                   |
| 5      | 1863.023.050 | VASCA X VANO EROGAZIONE           | WATER DRIP TRAY                  | BAC RECAP EAUX RECEPACLE GOB.     | Wanne zu Ausgaberaum                 | VASCA X VANO EROGAZIONE           |
| 6      | 1863.024     | STAFFA X VANO EROGAZIONE          | STIRRUP FOR COMPARTMENT DISPENSE | ETRIER BAC RECUP EAUX             | Steg zu Ausgaberaum                  | STAFFA X VANO EROGAZIONE          |
| 7      | 9111.368.050 | SUPPORTO BICCHIERE VARIABILE NER  | VARIABLE CUP SUPPORT BLACK       | SUPPORT GOBELETS VARIABLE NOIR    | Bechersupport einstellbar schwarz    | SUPPORTO BICCHIERE VARIABILE NER  |
| 8      | U109.023     | VITE AUT.TCB 4.2X9.5 DIN 7981 C   | screw AUT.TCB 4.2X9.5 DIN 7981 C | VIS AUT.TCB 4.2X9.5 DIN 7981 C    | Linsen-Blechschr. 4.2x9.5 DIN 7981 F | VITE AUT.TCB 4.2X9.5 DIN 7981 C   |
| 9      | U110.004     | VITE AUT.TCB 3.5X6.5 DIN 7981 F   | screw AUT.TCB 3.5X6.5 DIN 7981 F | VIS AUT.TCB 3.5X6.5 DIN 7981 F    | Schraube 3.5x6.5 DIN7981F            | VITE AUT.TCB 3.5X6.5 DIN 7981 F   |
| 10     | U110.003     | VITE AUT.TCB 3.5X9.5 DIN 7981 F   | screw AUT.TCB 3.5X9.5 DIN 7981 F | VIS AUT.TCB 3.5X9.5 DIN 7981 F N  | Linsen-Blechschr. 3.5x9.5 DIN 79     | VITE AUT.TCB 3.5X9.5 DIN 7981 F   |
| 11     | 11002386     | CARTER PROTEZIONE GETTONIERA      | PROTECTION COVER PAYMENT SYSTEM  | PROTECTION COUVERCLE SYSTEME DE   | Schutzplatte vor Zahlungssystem      | CARTER PROTEZIONE GETTONIERA      |
| 12     | U324.003     | DADO M5 FLANGIATO BASE DENTELLAT  | ASS.SCIVOLO MONETE CRISTALLO400  | ENS. INTROJ MONNAIE CRISTALLO 400 | Mutter M5 mit Flansch                | DADO M5 FLANGIATO BASE DENTELLAT  |
| 13     | 11011614     | ASS.SCIVOLO MONETE CRISTALLO400   | screw TBC M3,0X8 UNI 7687 GALV.  | VIS TCBM3X8UNI 7687 ZNP           | Linsenschraube M3x8 DIN 7985 ver     | ASS.SCIVOLO MONETE CRISTALLO400   |
| 14     | U043.007     | VITE TBC M3,0X8 UNI 7687 ZNP      | Screw TBC M3,0X8 UNI 7687 ZNP    | VIS TCBM3X8UNI 7687 ZNP           | Linsenschraube M3x8 DIN 7985 ver     | VITE TBC M3,0X8 UNI 7687 ZNP      |
| 15     | 12002039     | VITE TCBM4X12ZN-B                 | Screw TCBM4X12ZN-B               | VIS TCBM4X12ZN-B                  | Schraube 3.5x4x28 TORX               | VITE TCBM4X12ZN-B                 |
| 16     | 11011663     | COPIERTURA SCIVOLO MONETE         | SLIDE COVER COIN                 | GLISSIERE MONNAIE                 | Abdeckung zu Münzrutsche             | COPIERTURA SCIVOLO MONETE         |
| 17     | 11011618     | SCIVOLO MONETE                    | COIN CHUTE                       | CHUTE MONNAIE                     | Münzrutsche                          | SCIVOLO MONETE                    |
| 18     | 11011618     | BLOCCO X CONVOGLIATORE MONETE RE  | COIN CONVEYOR ADJUSTABLE FS400/6 | BLOCCO X CONVOYEUR MONNAIE        | Einsatz zu Münzeinwurf               | BLOCCO X CONVOGLIATORE MONETE RE  |
| 19     | 11021231     | CONVOGLIATORE MONETE REGOL.FS400  | COIN CONVEYOR ADJUSTABLE FS400/6 | CONVOYEUR MONNAIE AJUSTABLE FS40  | Verjüngung Münzeinwurf               | CONVOGLIATORE MONETE REGOL.FS400  |
| 20     | U302.003     | DADO ESAGONALE M4 UNI 5589 ZN     | GALVANUT HEXAGONAL M4 UNI 5589 Z | ECROU HEXAGONAL M4 UNI 5589 ZN    | Mutter M4 UNI 5589 ZN                | DADO ESAGONALE M4 UNI 5589 ZN     |
| 21     | U302.002     | DADO ESAGONALE M3 UNI 5588 ZNP    | nut HEXAGONAL M3 UNI 5588        | ECROU M3 UNI 5588 ZNP             | Mutter M3                            | DADO ESAGONALE M3 UNI 5588 ZNP    |
| 22     | U116.005     | VITE AUT.PTTCB 3,0X8 WN 1441 ZN   | screw AUT.PTTCB 3,0X8 WN 1441    | VIS DE FIXATION                   | Schraube 30 x 8                      | VITE AUT.PTTCB 3,0X8 WN 1441 ZN   |
| 23     | 9111.397     | MOLLA X BACINELLA LEVA RECUP.MON  | SPRING FOR TRAY /LEVER COIN RECO | RESSORT LEVIER                    | Feder zu Hebel Geldrückgabe          | MOLLA X BACINELLA LEVA RECUP.MON  |
| 24     | 123453102    | DADO AUTOBLOC.M4 DIN982 TYP ALTO  | GALV.SELF LOCK NUT HIGH M4 DIN 9 | ECROU AUTOBLOQUANT N4             | Mutter M4 selbstsichernd             | DADO AUTOBLOC.M4 DIN982 TYP ALTO  |
| 25     | U201.005     | ROSETTA PIANA 4.3X12 DIN 7349 GAL | PLAIN WASHER 4.3X12 DIN 7349 GAL | RONDELLE 4.3X12 DIN 7349 ZNP      | Scheibe 4.3x12 DIN 7349 verz.        | ROSETTA PIANA 4.3X12 DIN 7349 ZN  |
| 26     | 11011619     | SUPPORTO LEVA RECUPERO MONETE     | SUPPORT LEVER COIN RECOVERY      | SUPPORT DE LEVIER                 | befestigungsblech zu Geldrückgab     | SUPPORTO LEVA RECUPERO MONETE     |
| 27     | 11011660     | LEVA RECUPERO MONETE              | LEVER COIN RECOVERY              | LEVIER DE RECUPERATION            | Rückgabehebel                        | LEVA RECUPERO MONETE              |
| 28     | U212.006     | ROSETTA 3.2X11X0.5 ZNP            | WASHER 3.2X11X0.5 ZNP            | RONDELLE 3.2X11X0.5 ZNP           | Scheibe 3.2x11 D= 0,5mm              | ROSETTA 3.2X11X0.5 ZNP            |
| 29     | 128625002    | VITE TCB M4X20 UNI 7687 ZNP       | TCB SCREW M4X20 UNI 7687 ZNP     | VIS TCB M4X20 UNI 7687            | Linsenschraube M4x20 DIN 7985 ve     | VITE TCB M4X20 UNI 7687 ZNP       |
| 30     | 11011615     | ASS.LEVA RECUPERO MONETE          | LEVER ASS. COIN RECOVERY         | ENSEMBLE MECANISME RECUPERATION   | Rückgabehebel Kpl.                   | ASS.LEVA RECUPERO MONETE          |
| 31     | 11011662     | PIASTRA REGOLABILE                | ADJUSTABLE PLATE                 | PLAQUE AJUSTABLE                  | Geldrückgabeplatte                   | PIASTRA REGOLABILE                |
| 32     | U110.002     | VITE AUT.TCB 3.5X13 DIN 7981 F Z  | screw AUT.TCB 3.5X13 DIN 7981 F  | VIS TCB 3.5X13                    | Linsen-Blechschr. 3.5x13 DIN 798     | VITE AUT.TCB 3.5X13 DIN 7981 F Z  |
| 33     | U207.002     | ROSETTA PIANA 4.3X9 UNI 6592 ZNP  | PLAIN WASHER 4.3X9 UNI 6592 GAL  | RONDELL 4.3*9 UNI6592 ZNP         | Scheibe A4,3 DIN 125 verz.           | ROSETTA PIANA 4.3X9 UNI 6592 ZNP  |
| 34     | 11011661     | CONDOTTO RECUPERO MONETE          | DUCT COIN RECOVERY               | CONDUIT RECUPERATION MONNAIE      | Geldausgabeschacht                   | CONDOTTO RECUPERO MONETE          |
| 35     | 9111.357.050 | FONDO CONDOTTO MONETE NERO        | COIN CHUTE BOTTOM BLACK          | FOND DE CONDUIT MONNAIE NOIR      | Unterteil Trichter Rückgeld          | FONDO CONDOTTO MONETE NERO        |
| 36     | 9111.373     | MOLLA X FERMO VANO EROGAZ.        | SPRING FOR DISP. COMP. RETAINING | RESSORT POUR PIVOT VANO EROGAZ.   | Feder Schamier Becherspender P5      | MOLLA X FERMO VANO EROGAZ.        |
| 37     | 11029543     | DISTANZIALE X MONTAGGIO CANALE M  | SPACER                           | ENTRETOISE                        | Distanzhülse                         | DISTANZIALE X MONTAGGIO CANALE M  |
| 38     | 11012569     | ASS.PIASTRA MONT.CANALE MONETE F  | ASS.PIASTRA MONT.CANALE MONETE F | PLAQUE MONTAGE CANAL MONNAIE FS4  | Blech zu Münzeinwurf                 | ASS.PIASTRA MONT.CANALE MONETE F  |
| 39     | 11021706     | ASS.PIASTRA MONT.CANALE MONETE R  | BLANK PROTECTION COIN CHANNEL RU | ASS.PIASTRA MONT.CANALE MONETE R  | Blech zu Münzeinwurf nur RU          | ASS.PIASTRA MONT.CANALE MONETE R  |
| 40     | 11011739     | PORTELLO CONDOTTO MONETE ROSSO    | COIN CHUTE DOOR RED              | PORTELLON CONDUIT MONNAIE ROUGE   | Münzventiler                         | PORTELLO CONDOTTO MONETE ROSSO    |
| 41     | 1863.073     | SPORTELLO CONDOTTO MONETE GRY     | DOOR CONDUCTING COINS GREY       | VOLET RETOUR MONNAIE              | Münzklappe grau                      | SPORTELLO CONDOTTO MONETE GRY     |
| 42     | 1863.073     | GUARNIZIONE PORTA FS400           | DOOR SEAL FS400                  | JOINT DE PORTE FS400              | Dichtung zu Türe FS400               | GUARNIZIONE PORTA FS400           |
| 43     | 11002095     | MOLLA X MICRO COPERCHIO CARCASSA  | SPRING FOR CHASSIS COVER'S SWITC | EPINGLE DE SWITCH DE PORTE        | Feder z. Mikroschalter Gehäusetü     | MOLLA X MICRO COPERCHIO CARCASSA  |
| 44     | 1863.033.A20 | SUPPORTO DISTRIBUTORE BICCH.DX    | CUP DISTR. SUPPORT               | SUPPORT DISTRIBUTEUR GOBELET DRO  | Support Becherspender rechts         | SUPPORTO DISTRIBUTORE BICCH.DX    |
| 45     | 1863.032.A20 | SUPPORTO DISTRIBUTORE BICCH.SX    | CUP DISTR. SUPPORT               | SUPPORT DISTRIBUTEUR GOBELET GAU  | Support Becherspender links          | SUPPORTO DISTRIBUTORE BICCH.SX    |
| 46     | U043.006     | VITE TBC M4,0X14 UNI 7687 ZNP     | screw TBC M4,0X14 UNI 7687 GALV  | VIS TCBM4 7687 ZNP                | Linsenschraube M4x14 DIN 7985 ve     | VITE TBC M4,0X14 UNI 7687 ZNP     |
| 47     | 9111.371.050 | LEVA FERMO VANO EROGAZIONE NERO   | DISP. COMPART. LOCKING LEVER BL  | LEVIER DE BLOCAGE S700            | Befestigungshebel Ausgaberaum sz     | LEVA FERMO VANO EROGAZIONE NERO   |
| 48     | U109.003     | SUPPORTO DX VANO EROGAZ.NERO      | RIGHT SUPPORT DISP. COMP. BLACK  | SUPPORT DROIT VANO EROGAZ.NOIR    | Support rechts Ausgaberaum schwa     | SUPPORTO DX VANO EROGAZ.NERO      |
| 49     | 11030363     | CARTER GPU BLK                    | CPU CARTER BLK                   | VIS TCB3.5X9.5DIN7981CNK          | Linsen-Blechs. 3.5x9.5 DIN 7981      | CARTER GPU BLK                    |
| 50     | 1863.079     | PIASTRA FERMA CESTELLO            | BASKET STOP PLATE                | PLAQUE SUPERIEURE                 | Winkel zu Rohr0Support               | PIASTRA FERMA CESTELLO            |
| 51     | U2002.001    | DADO ESAGONALE M5 UNI 5588 ZNP    | nut HEXAGONAL M5 UNI 5588        | ECROU M5 UNI 5588 ZNP             | Mutter M5                            | DADO ESAGONALE M5 UNI 5588 ZNP    |
| 52     | 12002033     | VOLANTINO ZIGRINATO D. 18 M5x25   | KNOB D.18 M5x25                  | BOUTON D.18 M5x25                 | KNOB D. 18 M5x25                     | VOLANTINO ZIGRINATO D. 18 M5x25   |
| 53     | 129512503    | VITE TCB 2.9X9.5 DIN 7981 NIK     | SCREW TCB 2.9X9.5 DIN 7981 NICK  | PLAQUE SUPPORT RELAIS REED        | Linsen-Blechs. 2.9x9.5 DIN 7981      | VITE TCB 2.9X9.5 DIN 7981 NIK     |
| 54     | 1863.077     | SQUADRETTA SUPP. REED             | BRACKET SUPPORT REED             | PLAQUE SUPPORT RELAIS REED        | Winkel zu Reed0Support               | SQUADRETTA SUPP. REED             |
| 55     | 1863.649     | REED X SPORTELLO                  | REED FOR DOOR                    | RELAIS REED DE PORTE              | Reedschalter Schieb.Serviceüre Ct    | REED X SPORTELLO                  |
| 56     | U110.011     | VITE AUT.TCB 2.9X9.5 DIN 7981 F   | screw AUT.TCB 2.9X9.5 DIN 7981 F | VIS AUT.TCB 2.9X9.5 DIN 7981 F    | Linsen-Blechschr. 2.9x9.5 DIN 798    | VITE AUT.TCB 2.9X9.5 DIN 7981 F   |
| 57     | 1863.058     | SUPPORTO SX VANO EROGAZIONE       | LEFT SUPPORT DISP.COMP. BLACK    | SUPPORT GAUCHE RECEPACLE GOBELE   | Support links Ausgaberaum            | SUPPORTO SX VANO EROGAZIONE       |
| 58     | 9111.774     | DISTANZIALE X SUPPORTO VANO BICC  | SPACER FOR SUPPORT               | ENTRETOISE SUPPORT GOB.           | Abstandh. Supp. Becherausgaber.      | DISTANZIALE X SUPPORTO VANO BICC  |
| 59     | U043.015     | VITE TBC M5,0X12 UNI 7687 ZNP     | screw TBC M5,0X12 UNI 7687 GALV  | VIS TCB M5,0X12 UNI 7687 GALV.    | Schraube M5x12 DIN 7985 verz.        | VITE TBC M5,0X12 UNI 7687 ZNP     |
| 60     | U207.001     | ROSETTA PIANA 5.3X10 UNI 6592 ZN  | PLAIN WASHER 5.3X10 UNI 6592 GAL | RONDELL 5.3*10 UNI6592 ZN         | Scheibe A5.3 DIN 125 verz.           | ROSETTA PIANA 5.3X10 UNI 6592 ZN  |
| 61     | 12002034     | VOLANTINO ZIGRINATO D.18 BOCC.OT  | KNOB WITH BUSH M5                | KNOB WITH BUSH M5                 | KNOB WITH BUSH M5                    | VOLANTINO ZIGRINATO D.18 BOCC.OT  |
| 62     | 15001893     | FOGLIO ETICH.PROD.CRISTALLO6000TT | PRODUCTS LABEL'S SHEET CRISTALLO | ETIQUETTE PRODUITS CTISTALLO6000  | FOGLIO ETICH.PROD.CRISTALLO6000TT    | FOGLIO ETICH.PROD.CRISTALLO6000TT |
| 63     | 15002022     | FOGLIO ETICHETTE PROD.CRISTALLO6  | PRODUCTS LABEL'S SHEET CRISTALLO | ETIQUETTE PRODUITS CTISTALLO600   | FOGLIO ETICHETTE PROD.CRISTALLO6     | FOGLIO ETICHETTE PROD.CRISTALLO6  |
| 64     | 15004044     | FOGLIO ETICH.PROD.CRISTALLO600TT  | INSTRUCTION LABEL CRISTALLO600TT | ETIQUETTE INSTRUCTION CRISTALLO6  | Bedienungsanweisung CRISTALLO600T    | FOGLIO ETICH.PROD.CRISTALLO600TT  |
| 65     | 1863.059     | STAFFA X SERRATURA                | BRACKET FOR LOCK                 | LEVIER DE SERRURE                 | Steg zu Schloss                      | STAFFA X SERRATURA                |
| 66     | 11003448     | PIASTRA REGOLABILE X PORTA FS400  | MOVABLE PLATE FOR FS400 DOOR     | PLAQUE DE PORTE REGLABLE FS400    | Platte FS400, verstellbar            | PIASTRA REGOLABILE X PORTA FS400  |
| 67     | 11004683     | ASS. LAMIERA SPORTELLO FS400      | ASS. DOOR SHEET METAL FS400      | PORTE METAL FS 400                | Blech zu Fronttür beige              | ASS. LAMIERA SPORTELLO FS400      |



NOTE



RU  
RU

fino mat. 9007FS40007466  
da mat. 9007FS40007467  
da mat. 9007FS40007467



TTT  
TTT  
TTT

Cristallo 400

14/01/2019

03

E018.063

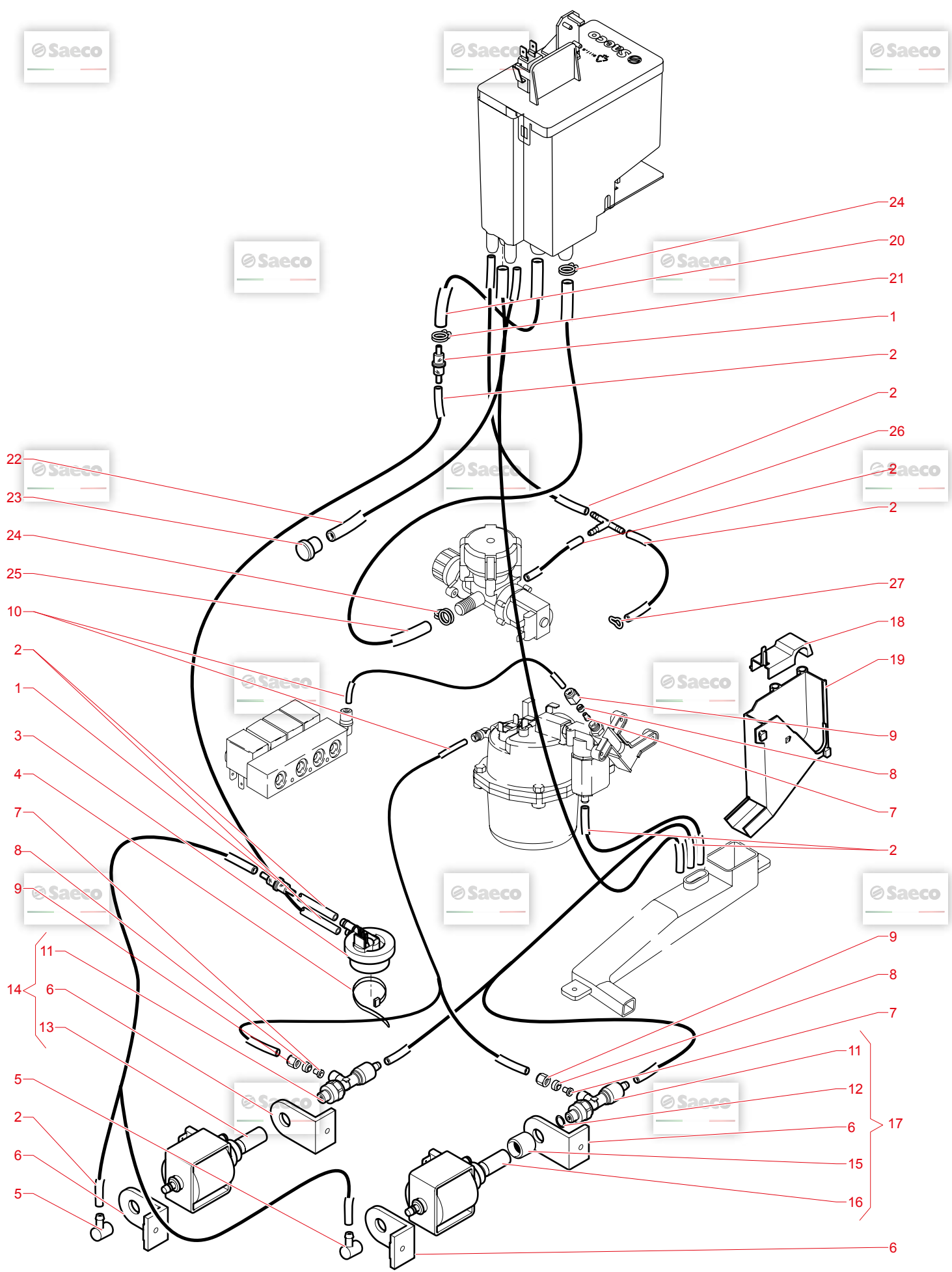
GAGGIO MONTANO

© by Saeco, a company of Evoca Group



| N.POSI | COD       | I - DESCRIZIONE                    | UK - DESCRIPTION                   | F - DESCRIPTION                  | D - BEZEICHNUNG                   | E - DESCRIPCION                    | NOTE     |
|--------|-----------|------------------------------------|------------------------------------|----------------------------------|-----------------------------------|------------------------------------|----------|
| 64     | 11006292  | ASS.SPORTELLO CRISTALLO400 RU/UA   | DOOR ASSEMBLY CRISTALLO400 RU/UA   | ENS. PORTE CRISTALLO 400         | Blech zu Fronttür nur RU          | ASS.SPORTELLO CRISTALLO400 RU/UA   | RU       |
| 64     | 11014168  | ASS.LAM.SPORT.CRISTALLO400 FILM    | ASS. DOOR SHEET METAL CRISTALLO400 | PORTE METAL CRISTALLO400         | Blech zu Fronttür schwarz         | ASS.LAM.SPORT.CRISTALLO400 FILM    | RU       |
| 64     | 11014230  | ASS.SPORT.CRISTALLO400 FILM PVC    | DOOR CRISTALLO400 FILM PVC GRYRU   | ENS. PORTE CRISTALLO 400         | Blech zu Fronttür nur RU          | ASS.SPORT.CRISTALLO400 FILM PVC    |          |
| 65     | 11000390  | DISTANZIALE X PORTA FS400          | OUTDISTANCE FOR FS400 DOOR         | CALÉ DE PORTE FS400              | Abstandhalter zu Türe             | DISTANZIALE X PORTA FS400          |          |
| 66     | 0894.185  | SQUADRETTA FERMO CESTELLO          | BASKET STOP BRACKET                | SUPPORT DE FIXATION              | Befestigungswinkel zu Körbochen   | SQUADRETTA FERMO CESTELLO          |          |
| 67     | 11000399  | PROFLO GES26F-A-C0 L=148 MM        | PROFILE GES26F-A-C0 L=148 MM       | PROFILE GES26F-A-C0 L=148 MM     | Profilleiste l=1,48 cm            | DIPOSITIVA CRISTALLO400/600        |          |
| 68     | 11014279  | DIPOSITIVA CRISTALLO400/600        | CRISTALLO400/600 DIA               | PHOTO CRISTALLO400/600           | Diabild                           | DIPOSITIVA CRISTALLO400/600        |          |
| 68     | 11030994  | DIPOSITIVA CRISTALLO600 C.B.       | CRISTALLO600 C.B. DIA              | PHOTO CRISTALLO600 C.B.          | Diabild ETL                       | DIPOSITIVA CRISTALLO600 C.B.       |          |
| 69     | 12001436  | VITE X DIAPOSITIVA NERA            | SCREW FOR BLACK SLIDE              | VIS                              | Zierschraube schwarz zu Werbepan  | VITE X DIAPOSITIVA NERA            |          |
| 70     | 11003787  | PROFLO GES26F-A-C0 L=20 mm         | PROFILE GES26F-A-C0 L=20 mm        | PROFLO GES26F-A-C0 L=20 mm       | Profilleiste l=20 mm              | DIPOSITIVA CRISTALLO600 C.B.       |          |
| 71     | 1863.025  | PIASTRA SUPPORTO CPU               | SUPPORT PLATE CPU                  | PLAQUE SUPPORT CPU               | Halteplatte zu Steuerung          | VITE X DIAPOSITIVA NERA            |          |
| 72     | 1863.043  | PERNO CERNIERA                     | HINGE                              | CHARNIERE                        | Schamirbolzen                     | PIASTRA SUPPORTO CPU               |          |
| 73     | U044.013  | VITE TSPC M4.0X12 UNI 7688 ZNP     | screw TSPC M4.0X12 UNI 7688 GALV   | VIS M4.0X12 UNI 7688 GALV        | Senkschraube M4x12 DIN 965 verz.  | PERNO CERNIERA                     |          |
| 74     | 11001936  | CERNIERA FS400/BEIGE MET.          | FS400 MET/BEIGE HINGE              | CHARNIERE FS400 BEIGE MET.       | Schamir FS400 beige/met.          | CERNIERA FS400 BEIGE MET.          |          |
| 74     | 11014291  | CERNIERA CRISTALLO400 NERO         | FS400 BLK HINGE                    | CHARNIERE FS400 BLK              | Schamir FS400 BLK                 | CERNIERA CRISTALLO400 NERO         |          |
| 75     | 11003414  | PANNELLO DISPLAY ROSSO PERLATO     | RED PEARLY DISPLAY PANEL           | PANNEAU AFFICHEUR ROUGE          | Blende Display, rot gepelit       | PANNELLO DISPLAY ROSSO PERLATO     |          |
| 75     | 11014269  | PANNELLO DISPLAY CRISTALLO400 VE   | FS400 DISPLAY PANEL BLACK          | PANNEAU AFFICHAGE FS 400 NOIR    | Blende Display FS400              | PANNELLO DISPLAY CRISTALLO400 VE   |          |
| 76     | 1863.074  | VETRINO DISPLAY                    | DISPLAY GLASS                      | VITRE AFFICHEUR                  | Scheibe Display                   | VETRINO DISPLAY                    |          |
| 77     | 11003413  | PANNELLO TASTIERA ROSSO PERLATO    | RED PEARLY KEYBOARD PANEL          | SUPPORT CLAVIER ROUGE            | Bedientastatur, rot               | PANNELLO TASTIERA ROSSO PERLATO    |          |
| 77     | 11014291  | PANNELLO TASTIERA CRISTALLO400 V   | FS400 KEYBOARD PANEL               | PANNEAU DE SELECTION FS 400 NOIR | Blende Bedientastatur             | PANNELLO TASTIERA CRISTALLO400 V   |          |
| 78     | 1863.065  | VETRINO INTRODUZIONE MONETE        | ASS COIN BOX                       | PLAQUE TRANSPARENTE MONNAIE      | Scheibe Münzeinwurf               | VETRINO INTRODUZIONE MONETE        |          |
| 79     | 991.093   | MAGNETE D=9.5 X H=1.5              | MAGNET D=9.5 X H=1.5               | AIMANT BAC A MARC MAGIC          | Magnetscheibe d=9.5mm h=1.5mm     | MAGNETE D=9.5 X H=1.5              |          |
| 80     | 11032646  | SPORTELLO VANO EROGAZIONE C/MAGN   | CUP STATION'S DOOR                 | PORTRILLON RECEPTACLE GOBELETS   | SchiebServiceüre Becherausgabe    | SPORTELLO VANO EROGAZIONE C/MAGN   |          |
| 81     | U005.015  | VITE TE M5.0X30 UNI 5739 ZNP       | screw TE M5.0X30 UNI 5739 GALV.    | VIS TE M5.0X30 UNI 5739 ZNP      | Schraube M5x30 DIN 933 verz.      | VITE TE M5.0X30 UNI 5739 ZNP       |          |
| 82     | U701.003  | ANELLO ELASTICO 7 UNI 7434         | SNAP RING 7 UNI 7434               | RONDELLE 7 UNI 7434              | Sicherungsring ø7 elastisch       | ANELLO ELASTICO 7 UNI 7434         |          |
| 83     | 1863.061  | VETRINO ISTRUZIONI                 | ASS COVER BOX                      | PLAQUE TRANSPARENTE INSTRUCTION  | Scheibe Anleitung                 | VETRINO ISTRUZIONI                 |          |
| 84     | 11003415  | PANNELLO RECUPERO RESTO ROSSO PER  | RED PEARLY PANEL RECOVERY REST     | PANNEAU RECUP MONNAIE ROUGE      | Blende Gedrückgabe, rot/gepeilt   | PANNELLO RECUPERO RESTO ROSSO PER  |          |
| 84     | 11014270  | PANNELLO REC.RESTO CRISTALLO400    | BLACK PANEL RECOVERY REST          | PANNEAU RECUP MONNAIE NOIR       | Blende Gedrückgabe                | PANNELLO REC.RESTO CRISTALLO400    |          |
| 85     | 11003412  | PANNELLO VANO EROGATORE ROSSO PE   | RED PEARLY VAIN DISBURSEMENT PAN   | FACADE RECEPTION GOBELET ROUGE   | Blende Karteeinwurf, rot/gepeilt  | PANNELLO VANO EROGATORE ROSSO PE   |          |
| 85     | 11014290  | PANN.VANO EROG.CRISTALLO400 VERN   | FS400 DISBURSEMENT PANEL VAIN      | RECEPTION GOBELET NOIR           | Blende Ausgabeschacht             | PANN.VANO EROG.CRISTALLO400 VERN   |          |
| 86     | U302.006  | DADO ESAGONALE M10 UNI 5588 ZNP    | nut HEXAGONAL M10 UNI 5588         | PANNEAU DE RECUPERATION FS 400 N | Sechskantmutter M10 DIN 985 verz  | DADO ESAGONALE M10 UNI 5588 ZNP    |          |
| 87     | U208.008  | ROSETTA DENT. 10.5X18 UNI 3703 Z   | TOOTHED WASHER 10.5X18 UNI 3703    | RONDELLE                         | Fächerscheibe A10.5 DIN 6798      | ROSETTA DENT. 10.5X18 UNI 3703 Z   |          |
| 88     | 11003519  | PIASTRINA X SERRATURA COMBI        | PLATE FOR LOCK COMBI               | LEVIER DE SERRURE                | Plättchen zu Schloss              | PIASTRINA X SERRATURA COMBI        |          |
| 88     | 1863.057  | LEVETTA SERRATURA                  | LOCK LEVER                         | CROCHET DE FERMETURE             | Schloßbügel Cristallo             | LEVETTA SERRATURA                  |          |
| 89     | 0875.338  | PERNO M10 X SERRATURA              | LOCK FOR PIN M10                   | RALLONGE M10 POUR SERRURE        | Stift für Schloss                 | PERNO M10 X SERRATURA              |          |
| 89     | 11003515  | PERNO X SERRATURA M6 COMBI         | PIN FOR LOCK M6 COMBI              | PIVOT DE SERRURE M6              | Bolzen zu Schloss                 | PERNO X SERRATURA M6 COMBI         |          |
| 89     | 11021368  | PERNO X SERRATURA M6 CRISTALLO40   | PIN FOR LOCK M6 CRISTALLO400/600   | PIVOT DE SERRURE M6 CRISTALLO400 | Bolzen zu Schloss                 | PERNO X SERRATURA M6 CRISTALLO40   |          |
| 90     | 11014166  | BOCCOLA SERRATURA X IMMAGINE POR   | LOCK BUSH                          | BAGUE SERRURE                    | Hülse zu Türschloß                | BOCCOLA SERRATURA                  |          |
| 91     | NV02.052  | SERRATURA TUBOLARE L.31            | TUBULAR LOCK L.31                  | SERRURE DA 10P/8P                | Türschloß 335T MM 31 90 DX        | SERRATURA TUBOLARE L.31            |          |
| 92     | 1602.002  | CHIAVE SERRAT.MERONI NV02.091 KA   | KEY FOR MERONILOCK                 | CLE POUR SERRURE MERONI          | Schlüssel zu Schloss Meroni       | CHIAVE SERRAT.MERONI NV02.091 KA   |          |
| 92     | NV02.243  | CHIAVE IN USO RIELDA A.J306A       | KEY RIELDA A.J306A                 | CLEF RIELDA A.J306A              | Schlüssel Rielda A.J306A          | CHIAVE IN USO RIELDA A.J306A       |          |
| 94     | NV02.229  | Serr. Mod.512.0 + Chiave A.J306A   | LOCK RIELDA MOD.512 + KEY          | SERRURE RIELDA MOD.512 + CLEFS   | Schloß + Schlüssel Rielda         | Serr. Mod.512.0 + Chiave A.J306A   |          |
| 95     | 15000246  | FOGLIO ETICHETTE PRODOTTI FS400    | PRODUCTS LABEL'S SHEET FS400 F     | ETIQUETTE PRODUITS FS400         | Produktschilder FS400 französisch | FOGLIO ETICHETTE PRODOTTI FS400    | BLX CH F |
| 95     | 15000247  | FOGLIO ETICHETTE PRODOTTI FS400    | PRODUCTS LABEL'S SHEET FS400 I     | NON UTILISEE PAR LA FRANCE ET LE | Produktschilder FS400 italienisch | FOGLIO ETICHETTE PRODOTTI FS400    | CH I     |
| 95     | 15000248  | FOGLIO ETICHETTE PRODOTTI FS400    | PRODUCTS LABEL'S SHEET FS400 D     | NON UTILISEE PAR LA FRANCE ET LE | Produktschilder FS400 deutsch be  | FOGLIO ETICHETTE PRODOTTI FS400    | CH D     |
| 95     | 15000249  | FOGLIO ETICHETTE PRODOTTI FS400    | PRODUCTS LABEL'S SHEET FS400 P     | NON UTILISEE PAR LA FRANCE ET LE | Produktschilder FS400 portugis    | FOGLIO ETICHETTE PRODOTTI FS400    | BR P     |
| 95     | 15000250  | FOGLIO ETICHETTE PRODOTTI FS400    | PRODUCTS LABEL'S SHEET FS400 E     | NON UTILISEE PAR LA FRANCE ET LE | Produktschilder FS400 spanisch b  | FOGLIO ETICHETTE PRODOTTI FS400    | E        |
| 95     | 15000251  | FOGLIO ETICHETTE PRODOTTI FS400    | PRODUCTS LABEL'S SHEET FS400 CH    | NON UTILISEE PAR LA FRANCE ET LE | Produktschilder FS400 schweiz be  | FOGLIO ETICHETTE PRODOTTI FS400    | CH       |
| 95     | 15000252  | FOGLIO ETICHETTE PRODOTTI FS400    | PRODUCTS LABEL'S SHEET FS400 NL    | ETIQUETTE PRODUITS FS400 NL      | Produktschilder FS400 niederlän   | FOGLIO ETICHETTE PRODOTTI FS400    | BLX      |
| 95     | 15000253  | FOGLIO ETICHETTE PRODOTTI FS400    | PRODUCTS LABEL'S SHEET FS400 UK    | NON UTILISEE PAR LA FRANCE ET LE | Produktschilder FS400 englisch b  | FOGLIO ETICHETTE PRODOTTI FS400    | AUS GB   |
| 95     | 15001972  | FOGLIO ETICHETTE PROD.CRISTALLO    | PRODUCTS LABEL'S SHEET CRISTALLO   | ETIQUETTE PRODUITS CTISTALLO NOI | Produktschilder FS400 italienisch | FOGLIO ETICHETTE PROD.CRISTALLO    | CH I     |
| 95     | 15001973  | FOGLIO ETICHETTE PROD.CRISTALLO    | PRODUCTS LABEL'S SHEET CRISTALLO   | ETIQUETTE PRODUITS CTISTALLO NOI | Produktschilder FS400 französisch | FOGLIO ETICHETTE PROD.CRISTALLO    | BLX CH F |
| 95     | 15001974  | FOGLIO ETICHETTE PROD.CRISTALLO    | PRODUCTS LABEL'S SHEET CRISTALLO   | ETIQUETTE PRODUITS CTISTALLO NOI | Produktschilder FS400 deutsch sc  | FOGLIO ETICHETTE PROD.CRISTALLO    | CH D     |
| 95     | 15001975  | FOGLIO ETICHETTE PROD.CRISTALLO    | PRODUCTS LABEL'S SHEET CRISTALLO   | ETIQUETTE PRODUITS CTISTALLO NOI | Produktschilder FS400 portugis    | FOGLIO ETICHETTE PROD.CRISTALLO    | E        |
| 95     | 15001976  | FOGLIO ETICHETTE PROD.CRISTALLO    | PRODUCTS LABEL'S SHEET CRISTALLO   | NON UTILISEE POUR LA FRANCE ET B | Produktschilder FS400 niederlän   | FOGLIO ETICHETTE PROD.CRISTALLO    | BLX      |
| 95     | 15001978  | FOGLIO ETICHETTE PROD.CRISTALLO    | PRODUCTS LABEL'S SHEET CRISTALLO   | ETIQUETTE PRODUITS CTISTALLO NOI | Produktschilder FS400 englisch s  | FOGLIO ETICHETTE PROD.CRISTALLO    | AUS GB   |
| 95     | 15001979  | FOGLIO ETICHETTE PROD.CRISTALLO    | PRODUCTS LABEL'S SHEET CRISTALLO   | ETIQUETTE PRODUITS CTISTALLO NOI | Produktschilder FS400 französisch | FOGLIO ETICHETTE PROD.CRISTALLO    | BLX CH F |
| 95     | 15004032  | FOGLIO ETICHETTE PROD.CRISTALLO    | PRODUCTS LABEL'S SHEET CRISTALLO   | ETIQUETTE PRODUITS CRISTALLO C/B | Produktschilder CRISTALLO C.B FR  | FOGLIO ETICHETTE PROD.CRISTALLO    | BLX CH F |
| 95     | 15004033  | FOGLIO ETICHETTE PROD.CRISTALLO    | PRODUCTS LABEL'S SHEET CRISTALLO   | ETIQUETTE PRODUITS CRISTALLO C/B | Produktschilder CRISTALLO C.B DE  | FOGLIO ETICHETTE PROD.CRISTALLO    | CH D     |
| 95     | 15004034  | FOGLIO ETICHETTE PROD.CRISTALLO    | PRODUCTS LABEL'S SHEET CRISTALLO   | ETIQUETTE PRODUITS CRISTALLO C/B | Produktschilder CRISTALLO C.B ES  | FOGLIO ETICHETTE PROD.CRISTALLO    | BR P     |
| 95     | 15004035  | FOGLIO ETICHETTE PROD.CRISTALLO    | PRODUCTS LABEL'S SHEET CRISTALLO   | ETIQUETTE PRODUITS CRISTALLO C/B | Produktschilder CRISTALLO C.B PO  | FOGLIO ETICHETTE PROD.CRISTALLO    | E        |
| 95     | 15004036  | FOGLIO ETICHETTE PROD.CRISTALLO    | PRODUCTS LABEL'S SHEET CRISTALLO   | ETIQUETTE PRODUITS CRISTALLO C/B | Produktschilder CRISTALLO C.B NL  | FOGLIO ETICHETTE PROD.CRISTALLO    | BLX      |
| 95     | 15004045  | FOGLIO ETICHETTE PROD.CRISTALLO C. | PRODUCTS LABEL'S SHEET CRISTALLO   | ETIQUETTE PRODUITS CRISTALLO C/B | Produktschilder CRISTALLO C.B IT  | FOGLIO ETICHETTE PROD.CRISTALLO C. | CH I     |
| 95     | 15004046  | FOGLIO ETICHETTE PROD.CRISTALLO C. | PRODUCTS LABEL'S SHEET CRISTALLO   | ENSEMBLE SUPPORT BOITE MONNAIE   | Support kpl. Münzwechser          | FOGLIO ETICHETTE PROD.CRISTALLO C. | AUS GB   |
| 96     | 1863.A.13 | ASS.SUPP.GETTONIERA RENDIRESTO     | ASS. SUPPORT COIN BOX              | ETIQUETTE INSTRUCTION MONNAIE FS | Bedienungsanweisung Cristallo fra | ASS.SUPP.GETTONIERA RENDIRESTO     | BLX CH F |
| 97     | 15000256  | ETICHETTA ISTRUZIONI/MONETE ACC.   | INSTR./ACCEPTED COINS LABEL FS40   | ETIQUETTE INSTRUCTION MONNAIE FS | Bedienungsanweisung Cristallo deu | ETICHETTA ISTRUZIONI/MONETE ACC.   | CH D     |
| 97     | 15000257  | ETICHETTA ISTRUZIONI/MONETE ACC.   | INSTR./LABEL/ACCEPTED COINS FS40   | NON UTILISEE PAR LA FRANCE ET LE | Bedienungsanweisung Cristallo por | ETICHETTA ISTRUZIONI/MONETE ACC.   | BR P     |
| 97     | 15000258  | ETICHETTA ISTRUZIONI/MONETE ACC.   | INSTR./ACCEPTED COINS LABEL FS40   | NON UTILISEE PAR LA FRANCE ET LE | Bedienungsanweisung Cristallo spa | ETICHETTA ISTRUZIONI/MONETE ACC.   | E        |
| 97     | 15000259  | ETICHETTA ISTRUZIONI/MONETE ACC.   | INSTR./ACCEPTED COINS LABEL FS40   | NON UTILISEE PAR LA FRANCE ET LE |                                   | ETICHETTA ISTRUZIONI/MONETE ACC.   |          |

| N.POSI | COD       | I - DESCRIZIONE                   | UK - DESCRIPTION                 | F - DESCRIPTION                  | D - BEZEICHNUNG                   | E - DESCRIPCION                   | NOTE     |
|--------|-----------|-----------------------------------|----------------------------------|----------------------------------|-----------------------------------|-----------------------------------|----------|
| 97     | 15000260  | ETICHETTA ISTRUZIONI/MONETE ACC.  | INSTR./ACCEPTED COINS LABEL FS40 | ETIQUETTE INSTRUCTION MONNAIE FS | Bedenungshinweise Cristallo sch   | ETICHETTA ISTRUZIONI CRISTALLO B  | CH       |
| 97     | 15000261  | ETICHETTA ISTRUZIONI/MONETE ACC.  | INSTR./ACCEPTED COINS LABEL FS40 | ETIQUETTE INSTRUCTION MONNAIE FS | Bedenungshinweise Cristallo nie   | ETICHETTA ISTRUZIONI CRISTALLO B  | BLX      |
| 97     | 15000262  | ETICHETTA ISTRUZIONI/MONETE ACC.  | INSTR./ACCEPTED COINS LABEL FS40 | NON UTILISEE PAR LA FRANCE ET LE | Bedenungshinweise Cristallo eng   | ETICHETTA ISTRUZIONI CRISTALLO B  | AUS GB   |
| 97     | 15000263  | ETICHETTA ISTRUZIONI/MONETE ACC.  | INSTR./ACCEPTED COINS LABEL FS40 | NON UTILISEE PAR LA FRANCE ET LE | Bedenungshinweise Cristallo ita   | ETICHETTA ISTRUZIONI CRISTALLO B  | CH I     |
| 97     | 15001980  | ETICHETTA ISTRUZIONI CRISTALLO B  | INSTRUCTION LABEL CRISTALLO BLK  | ETIQUETTE INSTRUCTION CRISTALLO  | Bedenungshinweise Cristallo fra   | ETICHETTA ISTRUZIONI CRISTALLO B  | BLX CH F |
| 97     | 15001981  | ETICHETTA ISTRUZIONI CRISTALLO B  | INSTRUCTION LABEL CRISTALLO BLK  | ETIQUETTE INSTRUCTION CRISTALLO  | BEDIENUNGSHINWEISE CRISTALLO DEU  | ETICHETTA ISTRUZIONI CRISTALLO B  | CH D     |
| 97     | 15001982  | ETICHETTA ISTRUZIONI CRISTALLO B  | INSTRUCTION LABEL CRISTALLO BLK  | ETIQUETTE INSTRUCTION CRISTALLO  | BEDIENUNGSHINWEISE CRISTALLO por  | ETICHETTA ISTRUZIONI CRISTALLO B  | BR P     |
| 97     | 15001983  | ETICHETTA ISTRUZIONI CRISTALLO B  | INSTRUCTION LABEL CRISTALLO BLK  | ETIQUETTE INSTRUCTION CRISTALLO  | Bedenungshinweise Cristallo spa   | ETICHETTA ISTRUZIONI CRISTALLO B  | E        |
| 97     | 15001984  | ETICHETTA ISTRUZIONI CRISTALLO B  | INSTRUCTION LABEL CRISTALLO BLK  | NON UTILISEE POUR LA FRANCE ET B | Bedenungshinweise Cristallo spa   | ETICHETTA ISTRUZIONI CRISTALLO B  | BLX      |
| 97     | 15001986  | ETICHETTA ISTRUZIONI CRISTALLO B  | INSTRUCTION LABEL CRISTALLO BLK  | ETIQUETTE INSTRUCTION CRISTALLO  | Bedenungshinweise Cristallo nie   | ETICHETTA ISTRUZIONI CRISTALLO B  | AUS GB   |
| 97     | 15001987  | ETICHETTA ISTRUZIONI CRISTALLO B  | INSTRUCTION LABEL CRISTALLO BLK  | ETIQUETTE INSTRUCTION CRISTALLO  | Bedenungshinweise Cristallo eng   | ETICHETTA ISTRUZIONI CRISTALLO B  | CH I     |
| 97     | 15004037  | FOGLIO ETICHET.ISTRUZ.CRISTALLO   | INSTRUCTION LABEL CRISTALLO C.B  | ETIQUETTE INSTRUCTION CRISTALLO  | Bedenungshinweise CRISTALLO C.B   | FOGLIO ETICHET.ISTRUZ.CRISTALLO   | BLX CH F |
| 97     | 15004038  | FOGLIO ETICHET.ISTRUZ.CRISTALLO   | INSTRUCTION LABEL CRISTALLO C.B  | ETIQUETTE INSTRUCTION CRISTALLO  | Bedenungshinweise CRISTALLO C.B   | FOGLIO ETICHET.ISTRUZ.CRISTALLO   | CH D     |
| 97     | 15004039  | FOGLIO ETICHET.ISTRUZ.CRISTALLO   | INSTRUCTION LABEL CRISTALLO C.B  | ETIQUETTE INSTRUCTION CRISTALLO  | Bedenungshinweise CRISTALLO C.B   | FOGLIO ETICHET.ISTRUZ.CRISTALLO   | BR P     |
| 97     | 15004040  | FOGLIO ETICHET.ISTRUZ.CRISTALLO   | INSTRUCTION LABEL CRISTALLO C.B  | ETIQUETTE INSTRUCTION CRISTALLO  | Bedenungshinweise CRISTALLO C.B   | FOGLIO ETICHET.ISTRUZ.CRISTALLO   | E        |
| 97     | 15004041  | FOGLIO ETICHET.ISTRUZ.CRISTALLO   | INSTRUCTION LABEL CRISTALLO C.B  | ETIQUETTE INSTRUCTION CRISTALLO  | Bedenungshinweise CRISTALLO C.B   | FOGLIO ETICHET.ISTRUZ.CRISTALLO   | BLX      |
| 97     | 15004042  | FOGLIO ETICHET.ISTRUZ.CRISTALLO   | INSTRUCTION LABEL CRISTALLO C.B  | ETIQUETTE INSTRUCTION CRISTALLO  | Bedenungshinweise CRISTALLO C.B   | FOGLIO ETICHET.ISTRUZ.CRISTALLO   | AUS GB   |
| 97     | 15004043  | FOGLIO ETICHET.ISTRUZ.CRISTALLO   | INSTRUCTION LABEL CRISTALLO C.B  | ETIQUETTE INSTRUCTION CRISTALLO  | Preisaufkleber schwarz EUR        | ADESIVI   PREZZI NERO EURO        |          |
| 98     | 0701_995  | ADESIVI   PREZZI NERO EURO        | PRICE LABELS BLACK EURO          | ETIQUETTE ADHESIVE NOIR EURO     | Preisaufkleber weiss EUR          | ADESIVI   PREZZI BIANCO EURO      |          |
| 98     | 0775_989  | ADESIVI   PREZZI BIANCO EURO      | PRICE LABELS WHITE EURO          | ETIQUETTE PRIX ADHESIVE EURO BLA | Blende Becheraufnahme, rot/geper  | PANNELLO COLONNA SUPERIORE ROSSO  |          |
| 99     | 11003417  | PANNELLO COLONNA SUPERIORE ROSSO  | RED PEARLY UPPER COLUMN PANEL    | PANNEAU SUP ROUGE                | Blende Becheraufnahme, rot/geper  | PANNELLO COLONNA SUPERIORE ROSSO  |          |
| 99     | 11014273  | PANN.COLONNA SUP.CRITALLO400 VER  | BLACK FS400 SUPERIOR COLUMN PANE | PANNEAU SUPERIEUR NOIR           | Blende Münzeinwurf, rot/geperit   | PANN.COLONNA SUP.CRITALLO400 VER  |          |
| 100    | 11003416  | PANNELLO INTROD.UZ.MONETE ROSSO P | RED PEARLY COIN INTRODUCTION PAN | PANNEAU INSERTION MONNAIE ROU    | Blende Münzeinwurf, rot/geperit   | PANNELLO INTROD.UZ.MONETE ROSSO P |          |
| 100    | 11006391  | PANNELLO INTROD.UZ.MONETE FRE     | PANEL COIN INPUT                 | PANNEAU INSERTION MONNAIE        | Blende Münzeinwurf, rot/geperit   | PANNELLO INTROD.UZ.MONETE FRE     |          |
| 100    | 11014285  | PANN.INTROD.MONET.CRISTALLO400 V  | FS400 INTRODUCTION COINS PANEL B | PANNEAU INTROMONNAIE NOIR        | Blende Münzeinwurf                | PANN.INTROD.MONET.CRISTALLO400 V  | RU       |
| 100    | 11014287  | PANNELLO INTROD.MONETE FRESATO V  | PANEL COIN INPUT BLACK           | PANNEAU INSERTION MONNAIE NOIR   | Blende Münzeinwurf schwarz        | PANNELLO INTROD.MONETE FRESATO V  |          |
| 101    | 15000325  | ETICHETTA ADESIVA ITALIAN TIME D  | ITALIAN TIME LABEL D=60MM        | ADHESIF ITALIAN TIME             | "Emblem" Italian Time             | ETICHETTA ADESIVA ITALIAN TIME D  |          |
| 102    | 1863_060  | VETRINO LOGO SAECO                | ASS.BOX                          | LOGO SAECO                       | Sichtfenster Logo SAECO           | VETRINO LOGO SAECO                |          |
| 103    | 11006390  | PIASTRA CHIUSURA SEDE LETTORE BA  | PLATE CLOSED BANKNOTE READERS    | PLAQUE POUR LECTEUR DE BILLETS   | Blindplatte Geldschneiser         | PIASTRA CHIUSURA SEDE LETTORE BA  |          |
| 104    | 0444_015  | VITE TSP M4,0X16 UNI 7688 ZNP     | screw TSP M4,0X16 UNI 7688 GALV. | VIS TSP M4,0X16 UNI 7688 GALV    | Schraube M4x16 UNI 7688 galv.     | VITE TSP M4,0X16 UNI 7688 ZNP     |          |
| 105    | 11011_355 | MOLLA X PULSANTE RENDIRESTO       | SPRING FOR CHANGE BUTTON         | RESSORT POUR BOUTON MONNAIE      | Feder zur Geldrückgabetafel       | MOLLA X PULSANTE RENDIRESTO       |          |
| 106    | 11000392  | PULSANTE RECUPERO MONETE CROMATO  | BUTTON RECOVERY COINS            | BOUTON RECUP MONNAIE             | Geldrückgabetafel                 | PULSANTE RECUPERO MONETE CROMATO  |          |
| 106    | 11001795  | PULSANTE RECUPERO MONETE ROSSO    | COIN RECOVERY BUTTON RED         | BOUTON RECUPERATION MONNAIE ROUG | Taste rot Münzurückgabe Diamante  | PULSANTE RECUPERO MONETE ROSSO    |          |
| 106    | 11006846  | PULSANTE RECUPERO MONETE GRY      | PULSANTE RECUPERO MONETE GRY     | BOUTON RECUP MONNAIE GRIS        | Taste Grau Münzurückgabe          | PULSANTE RECUPERO MONETE GRY      |          |
| 107    | 11021831  | ASS.CASSA MONETE BASSA            | ASSEMBLY COIN BOX                | CAISSE MONNAIE COMPLETE          | Münzkassette kpl.                 | ASS.CASSA MONETE BASSA            |          |
| 108    | 11001836  | GRIGLIA STANDARD FS400            | FS400 STANDARD GRILL             | GRILLE                           | Tassenabsteigegerät schwarz Cts   | GRIGLIA STANDARD FS400            |          |
| 109    | 0875_365  | SUPP.MONETIERA RENDIRESTO (MOBIL  | SUP.COIN BOX                     | SUPPORT MONNAIEUR MOBILE         | Support zu Münzwechsler           | SUPP.MONETIERA RENDIRESTO (MOBIL  |          |
| 110    | 9111_614  | PERNO ANCORAGGIO GETT.ESTRAIBILE  | COIN BOX ANCHORING PIN           | AXE D'ENCRAGE MONNAIEUR          | Verankerungsbolzen zu Münzprüfer  | PERNO ANCORAGGIO GETT.ESTRAIBILE  |          |
| 111    | 0875_357  | ASS.PIASTRA FISSAGGIO GETTONIERA  | ASS.FIXING PLATE COIN BOX        | ENS PLAQUE DE FIXATION MONNAIEUR | Montageplatte Münzprüfer          | ASS.PIASTRA FISSAGGIO GETTONIERA  |          |
| 112    | 0875_357  | VITE AUT.TCB 3,9X9,5 DIN 7981 F   | screw AUT.TCB 3,9X9,5 DIN 7981 F | VIS AUT.TCB 3,9X9,5 DIN 7981 F   | Linseleckschraube 3,9X9,5 DIN     | VITE AUT.TCB 3,9X9,5 DIN 7981 F   |          |
| 113    | 1602_147  | BOCCOLA X BIELLA SPORTELLO        | BUSH FOR DOOR CONNECTING ROD     | BLOPAGE ET BIELLE DE PORTE       | Hülse zur Pleuel Tür Produktausga | BOCCOLA X BIELLA SPORTELLO        |          |
| 114    | 11032971  | SUPPORTO MONETIERA FSAN           | COIN BOX SUPPORT                 | SUPPORT BOITE MONNAIE            | Support Münzprüfer                | SUPPORTO MONETIERA FSAN           |          |
| 115    | 123160302 | DADO M3 ALTO UNI 5587 ZINCATO     | NUT M3 HIGH UNI 5587 GALVANIZED  | ECROU M3 HIGH UNI 5587 GALVANIZE | Mutter M3 UNI 5587                | DADO M3 ALTO UNI 5587 ZINCATO     |          |
| 116    | 0207_003  | ROSETTA PIANA 3,2X7 UNI 6592 ZNP  | PLAIN WASHER 3,2X7 UNI 6592 GALV | RONDELLE 3,2X7 UNI 6592 ZNP      | Scheibe A3,2 DIN 125 verz.        | ROSETTA PIANA 3,2X7 UNI 6592 ZNP  |          |
| 117    | 0701_011  | ANELLO ELASTICO 5 UNI 7434 ACC.   | STEEL SNAP RING 5 UNI 7434       | ANNEAU                           | Sicherungsring ø5 elastisch       | ANELLO ELASTICO 5 UNI 7434 ACC.   |          |
| 118    | 11004932  | PERNO REGOLAZIONE PIASTRA GETT.3  | ADJUSTMENT PIN PLATE COIN BOX    | AXE DE REGUL.                    | Einstellschraube für Montageplat  | PERNO REGOLAZIONE PIASTRA GETT.3  |          |
| 119    | 0701_R29  | CHIAVE VIRO KA 35 X SERRAT.SPORT  | KEY KA 35                        | CLE KA 35                        | Schlüssel Türe P57                | CHIAVE VIRO KA 35 X SERRAT.SPORT  |          |
| 119    | 20007333  | RIC.CHIAVE SERRATURA MERONI 337   | LOCK MERONI 337                  | CLEF MERONI 337                  | Schlüssel Meroni 337              | RIC.CHIAVE SERRATURA MERONI 337   |          |
| 120    | 12001902  | SERRATURA MERONI 337              | LOCK MERONI 337                  | SERRURE MERONI 337               | Türschloß Meroni 337              | SERRATURA MERONI 337              |          |
| 120    | 20007143  | KIT RICAMBIO SERRATURA VIRO/MERO  | KIT SPARE PART                   | KIT LEVIER DE SERRURE            | Hebel zu Schloss                  | KIT RICAMBIO SERRATURA VIRO/MERO  |          |
| 121    | 11012748  | ASS.COPERCHIO CASSA MONETE NEW    | COIN BOX CASE LID ASS. NEW       | ENSEMBLE FERMETURE BOITE MONNAIE | Deckel kpl. Münzkassette          | ASS.COPERCHIO CASSA MONETE NEW    |          |
| 122    | 0875_271  | MANIGLIA X CASSA MONETE           | HANDLE FOR COIN CASE             | COUVERCLE CAISSE A MONNAIE       | Tragebügel zu Münzkassette        | MANIGLIA X CASSA MONETE           |          |
| 123    | 11021832  | ASS.SCATOLA MONETE BASSA          | MONEY BOX ASSEMBLY               | ENS BOITE MONNAIE                | Münzkassette                      | ASS.SCATOLA MONETE BASSA          |          |
| 124    | NF11_026  | RIVETTO AD ESPANSIONE D.3,9X8 AL  | EXPANSION RIVET D.3.9X8 ALU.     | RIVET D'EXPANSION D.3.9X8 ALU.   | Niete ø=3,9 mm x 8                | RIVETTO AD ESPANSIONE D.3,9X8 AL  |          |
| 125    | 11001583  | SCARPETTA PER SERRATURA           | LEVER FOR LOCK                   | LEVIER                           | SCHLIESSRIEGEL                    | SCARPETTA PER SERRATURA           |          |
| 125    | 11031071  | SCARPETTA X SERRAT.MERONI (TAGLI  | LEVER FOR LOCK                   | LEVIER                           | Auffangtrichter Münzen            | SCARPETTA X SERRAT.MERONI (TAGLI  |          |
| 126    | 11011665  | TRAMOGGIA CASSA MONETE            | COIN BOX HOPPER                  | ENTONNOIR CAISSE MONNAIE         | Abdeckung Münzkassette            | TRAMOGGIA CASSA MONETE            |          |
| 127    | 1863_064  | COPERCHIO CASSA MONETE            | COVER COIN BOX                   | COUVERCLE BOITE MONNAIE          | ADHESIVE GRAN GUSTO               | COPERCHIO CASSA MONETE            |          |
| 128    | 15004049  | ADESIVO GRAN GUSTO                | ADHESIVE GRAN GUSTO              | ADHESIVO GRAN GUSTO              |                                   | ADESIVO GRAN GUSTO                |          |



| N.POSI | COD          | I - DESCRIZIONE                   | UK - DESCRIPTION                 | F - DESCRIPTION                  | D - BEZEICHNUNG                    | E - DESCRIPCION                   |
|--------|--------------|-----------------------------------|----------------------------------|----------------------------------|------------------------------------|-----------------------------------|
| 1      | 144650300    | FILTRO IN ASPIRAZ.RETE 500 OV     | ASPIRATION FILTER GAUZE NET 500  | FILTRE D'ASPIRATION              | Wasserfilter 952 D=8 nur Espresso  | FILTRO IN ASPIRAZ.RETE 500 OV     |
| 2      | 9972.057     | TUBO SILICONE 5X8 L.2000MM        | SILICONE TUBE 5X8 L.2000MM       | TUBE SILICONE MARRON L2M 5X8     | Silikon Schlauch 5x8, l=2mtr., bra | TUBO SILICONE MARRON 5X8 L.2000   |
| 3      | NV99.099     | AS.TURBINA D=1,2                  | TURBINE D=1,2 ASSY.              | DEBITMETRE D=1,2                 | TURBINE D=1,2                      | AS.TURBINA D=1,2                  |
| 4      | 144320200    | FASCIETTA AUTOBLOC.W=2,6 L=200 B  | SELF LOCK STRIP W=2.6 L=200      | COLLIER AUTOSERRANT L=200MM      | Kabelbinder, l=200mm               | FASCIETTA AUTOBLOC.W=2,6 L=200 B  |
| 5      | 147920150    | RAC.INGRESSO A 90° POMPA NEU.     | EATON PUMP CONNECTOR             | RACCORD 90° CAOUTCHOUC           | Pumpenanschlusswinkel 90° weiß Ku  | RAC.INGRESSO A 90° POMPA NEU.     |
| 6      | 148185850    | SUPP.POMPA EATON MAGIC. 4002012   | EATON PUMP SUPPORT 4002012 MAGIC | SUPPORT DE POMPE                 | Pumpenhalterung Typ EATON sz.      | SUPP.POMPA EATON MAGIC 4002012    |
| 7      | 9991.009     | BOCCOLA INTERNA D.4               | INSIDE BUSH D.4                  | BAGUE ETANGHEITE INTERNE         | Stützülse d=4mm Messing            | BOCCOLA INTERNA D.4               |
| 8      | 9991.008     | BOCCOLA ESTERNA D.6               | EXTERNAL BUSH D.6                | BAGUE D'ETANGHEITE               | Klemmülse d=6 mm messing           | BOCCOLA ESTERNA D.6               |
| 9      | 9991.007     | "DADO X RACCORDO 1/8"             | "NUT FOR CONNECTOR 1/8"          | RACCORD 1/8 GAS                  | Sechskantmutter 1/8 GAS Mess. b=   | "DADO X RACCORDO 1/8"             |
| 10     | 9971.015     | TUBO TEFLON 4X6 L.2 METRI         | TEFLON TUBE 4X6 L.2 MT           | TUYAU TEFLON 4X6 L=2M            | Teftonschlauch 4x6 Meterwaire      | TUBO TEFLON 4X6 L.2 METRI         |
| 11     | 11005590     | ASS.VALVOLA SICUREZZ./N.RITORNORN | SAFETY VALVE/NON RETURN ASS. NEW | VALVE ANTI RETOUR                | Sicherheits- Rückschlagventil      | ASS.VALVOLA SICUREZZ./N.RITORNORN |
| 12     | NM02.020     | ***OR 2031 TERMOIL                | OR 2031 TERMOIL                  | JOINT 2031                       | O-RING 2031                        | ***OR 2031 TERMOIL                |
| 13     | 9070.042.00A | POMPA IN OTTONE                   | BRASS PUMP                       | BRASS PUMP                       | BRASS PUMP                         | POMPA IN OTTONE                   |
| 13     | 9070.042.00N | POMPA ULKA EX5 SD1                | ULKA PUMP EX5 SD1                | NON UTILISEE PAR LA FRANCE ET LE | Pumpe Ulka EX5 220V / 60Hz SD1     | POMPA ULKA EX5 SD1                |
| 0      |              |                                   |                                  |                                  |                                    |                                   |
| 14     | 9070.043.00A | ASS.POMPA NON RITORNO             | ULKA PUMP+NON RETURN             | ENSEMBLE POMPE + RACCORD         | Pumpe 230V/50Hz m                  | ASS.POMPA NON RITORNO             |
| 14     | 9070.043.00N | ASS.POMPA ULKA EX5 SD1 NON RITOR  | ULKA PUMP EX5 SD1 +NON RETURN    | NON UTILISE PAR LA FRANCE ET LE  | Pumpe Ulka EX5 220V/60Hz SD1 mit   | ASS.POMPA ULKA EX5 SD1 NON RITOR  |
| 15     | 9071.098     | RINFORZO X POMPA ULKA             | REINFORCEMENT FOR ULKA PUMP      | EMBOUIT DE POMPE ULKA            | Verstärkung zu Ulka-Pumpe          | RINFORZO X POMPA ULKA             |
| 16     | 9070.044.00F | POMPA ULKA EP5 D1                 | ULKA PUMP EP5 D1                 | POMPE ULKA EP5 D1                | Pumpe Ulka EP5 D1                  | POMPA ULKA EP5 D1                 |
| 17     | 9070.045.00F | ASS.POMPA ULKA EP5 D1 120V        | ULKA PUMP ASS.EP5 D1 120V        | NON UTILISEE PAR LA FRANCE ET LE | PUMPE ULKA KOMPLETT 120 V          | ASS.POMPA ULKA EP5 D1 120V        |
| 18     | 9161.262.060 | COPERTURA CANALINO RACCOGLIGOCCE  | DRIP CHANNEL COVER               | COUV.CANAL DECOMPRESSION         | Abdeckung zu Auffangtrichter, br   | COPERTURA CANALINO RACCOGLIGOCCE  |
| 19     | 9111.597.050 | CANALINO SCARICO CAFFE' CORTO     | COFFEE DISCHARGE CHANNEL SHORT   | CANAL EAU USEES                  | Restwasser-sammler CS, P8          | CANALINO SCARICO CAFFE' CORTO     |
| 20     | 9972.141     | TUBO SILICONE 7X11 L.160MM        | SILICONE TUBE 7X11 L.160MM       | TUBE SILICONE 7X11 L.160 MM      | SILIKONSCHLAUCH 7X11 L=160 MM      | TUBO SILICONE 7X11 L.160MM        |
| 21     | NV99.072     | FASCETTA STRINGITUBO D. 11.6/12.  | HOSE CLAMP D. 11.6/12.3          | ATTACHE D. 11.6/12.3             | Schlauchklemme D=11.6-12.3         | FASCETTA STRINGITUBO D. 11.6/12.  |
| 22     | 9972.335     | TUBO SILICONE 7X11 L.1240MM       | SILICONE TUBE 7X11 L.135MM       | TUBE SILICONE 7X11 L. 135 MM     | Silikon Schlauch 7x11 L=1240       | TUBO SILICONE 7X11 L.1240 MM      |
| 23     | NV03.006     | TAPPO KAPSTO LPN 615/010          | CAP KAPSTO LPN 615/010           | BOUCHON LPN 615/010              | Verschluß                          | TAPPO KAPSTO LPN 615/010          |
| 24     | NV99.050     | FASCIETTA STRINGITUBO D. 13.3/14. | HOSECLAMP D. 13.3/14.1           | ATTACHE D. 13.3/14.1             | Klemmfeder d=13,3/14,1mm           | FASCIETTA STRINGITUBO D. 13.3/14. |
| 25     | 11001315     | ***TUBO SILICONE 7X11 L.950MM     | ***SILICONE TUBE 7X11 L.950MM    | TUBE SILICONE 8X12 L.950MM       | Silikon Schlauch L= 950 mm         | TUBO SILICONE 8X12 L.950MM        |
| 26     | NV99.004     | RACCORDO A T.MORONI 8026047 D=8   | CONNECTOR T.MORONI 8026047 D=8   | RACCORD EN T 8026047 D=8         | T-Raccordo Moroni 8026047 d=8 mm   | RACCORDO A T.MORONI 8026047 D=8   |
| 27     | 9111.141     | MOLLA CHIUSURA TUBO SCARICO       | DISCHARGE TUBE CLOSURE SPRING    | GOUPIILLE                        | Klemmfeder                         | MOLLA CHIUSURA TUBO SCARICO       |



Cristallo 400

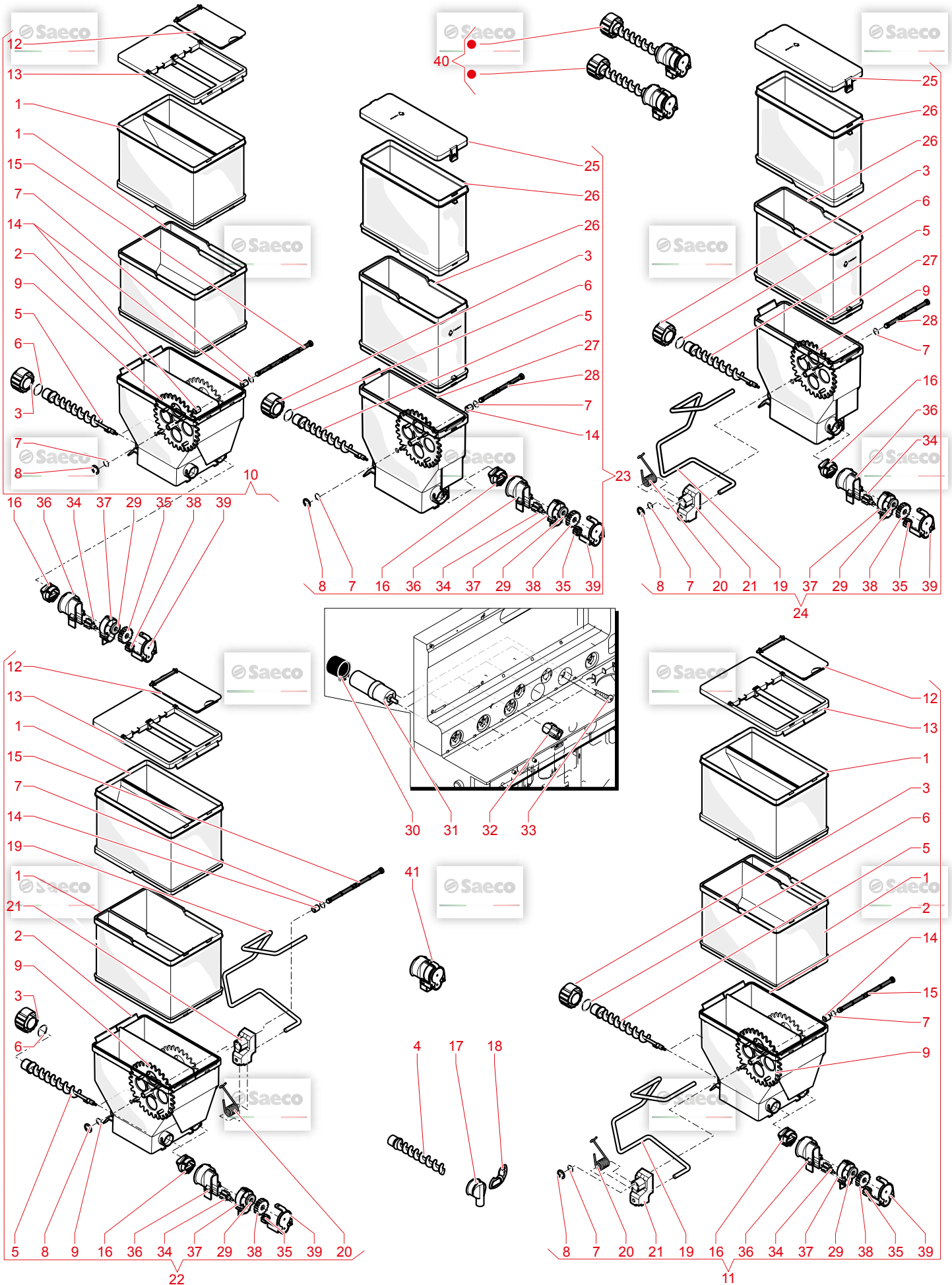
14/01/2019

05

E018.063

GAGGIO MONTANO

© by Saeco, a company of Evoca Group



| N.POSI COD | I - DESCRIZIONE | UK - DESCRIPTION                 | F - DESCRIPTION                  | D - BEZEICHNUNG                    | E - DESCRIPCION                       |
|------------|-----------------|----------------------------------|----------------------------------|------------------------------------|---------------------------------------|
| 1          | 9111.681        | DOUBLE EXTENSION 145             | EXTENSION                        | Behälterteil Cristallo             | PROLUNGA DOPPIA 145                   |
| 2          | 9111.680        | BASE CONTAINER DOUBLE SOLUBLE    | CONTAINER DE BASE DOUBLE SOLUBLE | Grundplatte Produktbehälter        | BASE CONTENITORE SOLUBILI DOPPIO      |
| 3          | 11012.130       | BACK BUSH REINFORCE              | DOUILLE RENFORCEE                | Anschlußflansch hinten verstärkt   | BOCCOLA POSTERIORE RINFORZATA         |
| 4          | 9111.701        | SCROLL SCREW DOUBLE CONTAINER    | VIS SANS FIN DOUBLE CONTAINER    | Schnecke Produktbehälter           | COCLEA CONTENITORE DOPPIO             |
| 5          | 11003.018       | SCROLL SCREW FOR NEW DISPENSERA  | VIS SANS FIN                     | Welle zu Ausgabesystem             | COCLEA X BOCCHETTA EROGAZIONE NE      |
| 6          | NM03.022        | OR 2.3X15 NBR                    | JOINT T2.3 D 15 NBR              | O-Ring Verschluss 2.3x15 P7 NBR    | OR 2.3X15 NBR                         |
| 7          | NM03.022        | OR ORM 0060-10 NBR               | JOINT ORM 0060-10 NBR            | O-Ring Verschluss 2.3x15 P7 NBR    | OR 2.3X15 NBR                         |
| 8          | U701.003        | SNAP RING 7 UNI 7434             | RONDELLE 7 UNI 7434              | Sicherungsring ø7 elastisch        | ANELLO ELASTICO 7 UNI 7434            |
| 9          | 9111.702        | WHEEL DOUBLE CONTAINER           | ROUE DE CONTAINER DOUBLE         | Zahnrad Cristallo                  | RUOTA CONTENITORE DOPPIO              |
| 10         | 11031891        | ASSEMBLED DOUBLE TANK EASY DRY 2 | ENS CONTAINER PRODUIT DOUBLE 2   | Doppelseitiger Shaker              | ASS. CONTENITORE DOPPIO EASY DRY      |
| 11         | 11031885        | PHEDRASSEMBLED DOUBLE TANK       | DOUBLE BAC ASSEMBLE              | Produktbehälterdeckel              | ASS. CONT. DOPPIO C/AGITAT. 4MIX EA   |
| 12         | 9111.683        | SOLUBLE COVER                    | COUVERCLE SOLUBLE                | Produktbehälterdeckel 20fach       | COPERCHIETTO SOLUBILI                 |
| 13         | 9111.682        | COVER CONTAINER DOUBLE SOLUBLE   | COUVERCLE BAC DOUBLE             | Produktbehälterdeckel 20fach       | COPERCHIO CONT. SOLUBILI DOPPIO       |
| 14         | 1032945         | SPACE FOR GEAR BPA FREE          | ENTRETOISE ROUE DENTEE           | SPACE FOR GEAR BPA FREE            | DISTANZIALE X RUOTA DENTATA BPA       |
| 15         | 9111.703        | DOUBLE PIN FOR WHEEL             | AXE DOUBLE DE ROUE               | Boizen zu Laufrad                  | PERNO DOPPIO PER RUOTA                |
| 16         | 11028378        | FRONT BUSH                       | BOUCLE ANTERIEURE DOUBLE LIAISON | Pulverauslauf                      | BOCCOLA ANTERIORE DOPPIO AGGANCI      |
| 17         | 9111.629.060    | Aperture for solubles hopper     | EMBOUT PONDRE                    | Stutzen braun für Pulverfrichter   | BOCCHETTA X TRAMOGGIA X AGGANCI       |
| 18         | 9111.338.270    | BULKHEAD FOR APERT. CLOSURE ORAN | VOLET FERMETURE ORANGE           | Verschluß zu Stutzen, orange       | PARATIA CHIUSURA BOCCHETTA ARANC      |
| 19         | 11006124        | WIRE AGITATOR UNIFIED            | CABLE AGITATEUR                  | QUIRL FÜR INSTANTPRODUKT           | FILO AGITATORE UNIFICATO              |
| 20         | 9111.731        | SPRING                           | RESSORT AGITATEUR                | Feder Rührwerk                     | MOLLA AGITATORE                       |
| 21         | 11007155        | AGITATOR SUPPORT                 | SUPPORT AGITATEUR                | AUFNAHME FÜR QUIRL                 | SUPPORTO AGITATORE                    |
| 22         | 11031888        | ASSEMBLED DOUBLE TANK            | DOUBLE BAC AGIT DROIT EASY DRY 2 | PRODUKTBEHÄLTER DOPPELT KOMPLETT   | ASS. CONT. DOPPIO C/AGITAT. DX EAS    |
| 23         | 11031883        | ASSEMBLY SINGLE CONTAINER        | BAC Poudre COMPLET EASY DRY 2    | EINZELBEHÄLTER KOMPLETT/ GERADER   | ASS. MONT. CONT. SINGOLO EASY DRY 2   |
| 24         | 11031886        | ASSEMBLY SINGLE CONTAINER        | BAC Poudre EASY DRY 2 + AGITATEU | EINZELBEHÄLTER KOMPLETT/ GERADER   | ASS. MONT. CONT. SING. C/AGITAT. EASY |
| 25         | 11001578        | COVER CONTAINER SINGLE SOLUBLE   | COUVERCLE BAC SOLUBLE SIMPLE     | ABDECKUNG ZU EINZELBEHÄLTER        | COPERCHIO CONTENITORE SOLUBILE S      |
| 26         | 11001577        | EXTENSION CONTAINER SINGLE SOLUB | RALLONGE DE BAC SIMPLE           | Erweiterung zu Einzel- Instandbe   | PROLUNGA CONTENITORE SOLUBILE SI      |
| 27         | 11001576        | BASE CONTAINER SINGLE SOLUBLE    | BAC SOLUBLE                      | Grundträger Einzelbehälter         | BASE CONTENITORE SOLUBILE SINGOL      |
| 28         | 11001580        | PIN WHEEL CONTAINER SINGLE SOLUB | AXE CANNELE                      | Boizen zu Laufrad Produktbehälter  | PERNO RUOTA DENTATA CONT. SOLUB. S    |
| 29         | 11031692        | FELT RING DE=47,4 DI=41,4H=4     | ANNEAU FEUTRE                    | ANELLO DE=20,2 DI=6,8 H=4 IN FEL   | ANELLO DE=20,2 DI=6,8 H=4 IN FEL      |
| 30         | 9121.155        | HOOD FOR RATIONMOTOR             | CAPOT POUR MOTOREDUCTEUR         | Abdeckung Getriebemotor            | CUFFIA X MOTORIDUTTORE                |
| 31         | 9121.106.00P    | SUGAR RATIONMOTOR 24V DC         | MOTEUR SUCRE DA10P 24V DC        | Motor Zuckerverföderung 24V Gleich | MOTORIDUTTORE ZUCCHERO 24V D.C.       |
| 32         | 9111.131        | COUPLING FOR SOLUBLES MOTOR      | ENGRENAGE BAC SAECO DA10P        | Verbindung                         | GIUNTO X MOTORE SOLUBILI              |
| 33         | U116.005        | screw AUT.PT.TCB 3,0X8 WN 1441   | VIS DE FIXATION                  | Schraube 30 x 8                    | VITE AUT.PT.TCB 3,0X8 WN 1441 ZN      |
| 34         | 11031679        | DISPENSER FAN EASY DRY           | HELICE                           | Dispenser Rad                      | VENTOLA DI EROGAZIONE EASY DRY        |
| 35         | 11005182        | WHEEL Z=9                        | PIGNON Z=9                       | Rad Z=9                            | RUOTA Z=9                             |
| 36         | 11031678        | EASY DRY DISPENSER APERTURE      | SUPPORT INFERIEUR                | Grundträger für Dosiersystem       | BOCCHETTA EROGAZIONE EASY DRY         |
| 37         | 11031681        | CARTER FOR GEAR EASY DRY         | CARTER POUR PIGNON               | Zahnradträger Dosiersystem         | CARTER X INGRANAGGI EASY DRY          |
| 38         | 11031680        | WHEEL Z=18 EASY DRY              | PIGNON Z=18 EASY DRY             | RUOTA Z=18 EASY DRY                | RUOTA Z=18 EASY DRY                   |
| 39         | 11005188        | LID CARTER GEAR                  | CACHE FRONTAL                    | Abdeckung zu Dosiersystem          | COPERCHIO CARTER INGRANAGGIO          |
| 40         | 21001290        | KIT NEW POWDER DISPENSING SYSTEM | KIT DISTRIBUTION POWDRE NEW      | Kit Dosiersystem Produktbehälter   | KIT BOCCHETTA EROGAZIONE NEW          |
| 41         | 21002190        | KIT EASY DRY 2                   | KIT EASY DRY 2                   | Kit EASY DRY 2                     | KIT EASY DRY 2                        |

**NOTE**  
Saeco

fino mat. 9010FS40018105  
da matr. 9010FS40018106

da matr. 9013FS40023972  
da matr. 9013FS40023972

da matr. 9013FS40023972  
fino mat. 9010FS40018105  
fino mat. 9010FS40018105

da matr. 9013FS40023972  
da matr. 9013FS40023972  
da matr. 9013FS40023972

da matr. 9013FS40023972

da matr. 9013FS40023972  
da matr. 9010FS40018106  
da matr. 9013FS40023972  
da matr. 9013FS40023972  
da matr. 9013FS40023972  
da matr. 9010FS40018106  
da matr. 9010FS40018106  
fino mat. 9013FS40023971

Saeco

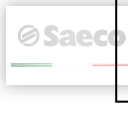
**E - DESCRIPCION**

**D - BEZEICHNUNG**

**F - DESCRIPTION**

**UK - DESCRIPTION**

**I - DESCRIZIONE**



Cristallo 400

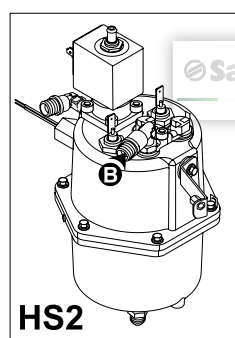
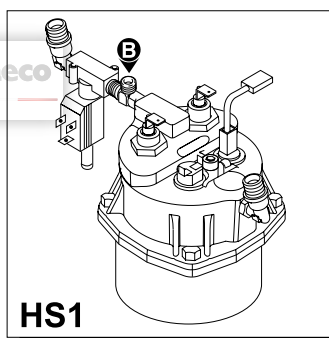
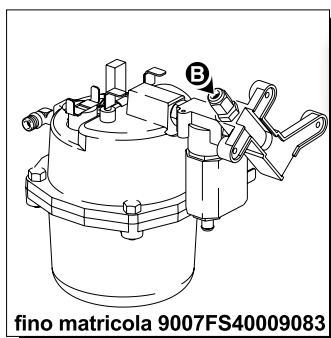
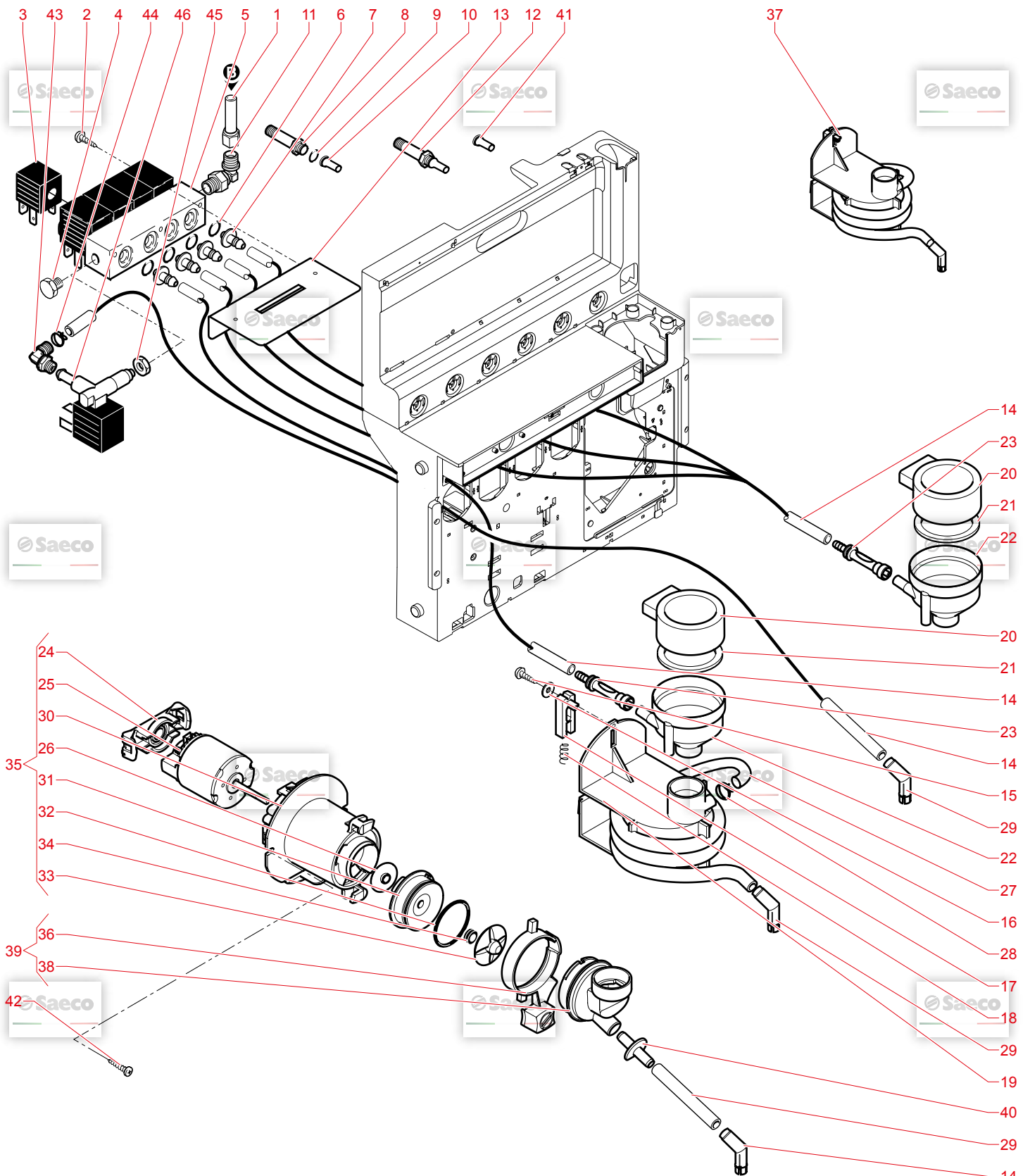
14/01/2019

06

E018.063

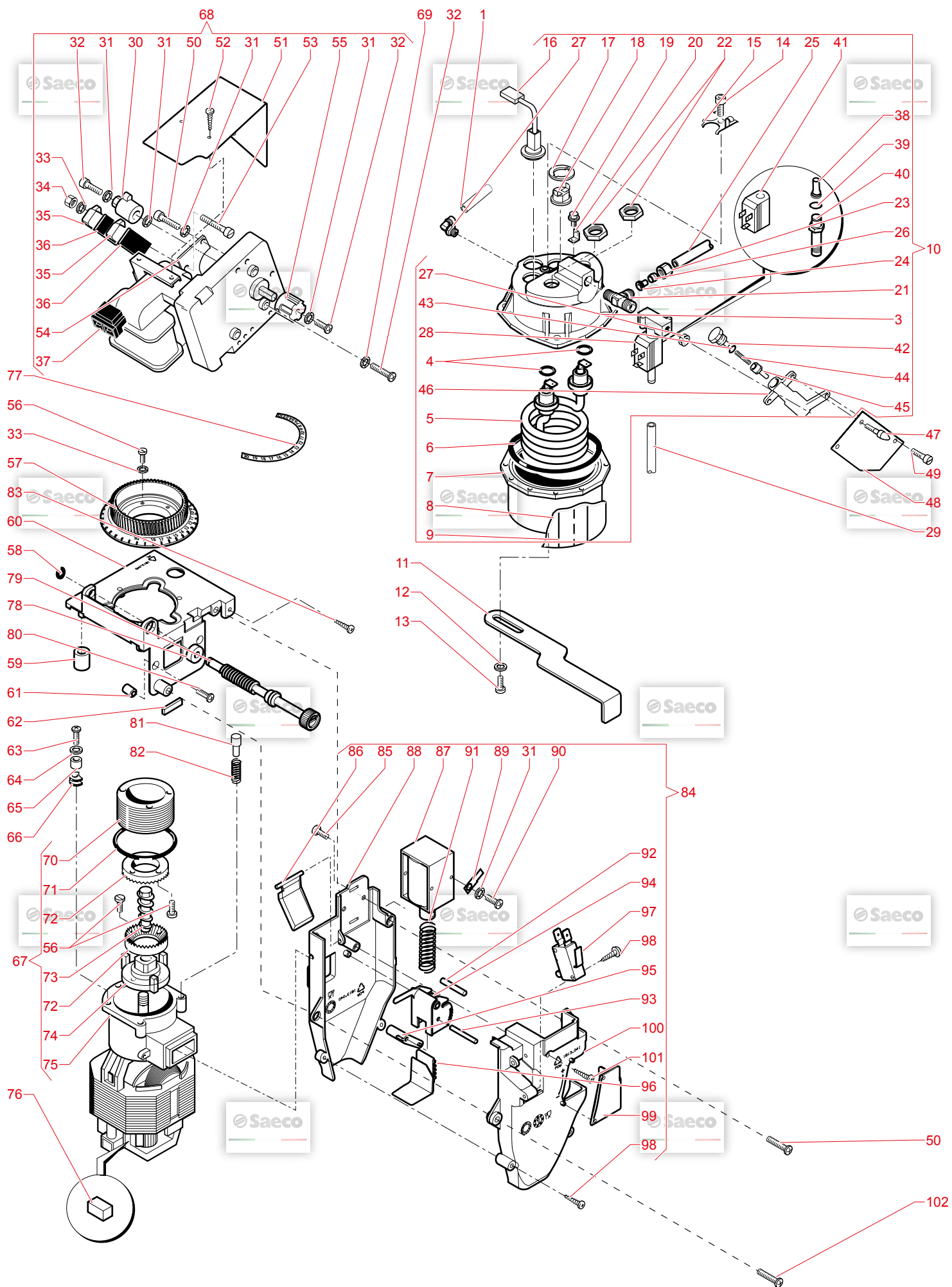
GAGGIO MONTANO

© by Saeco, a company of Evoca Group



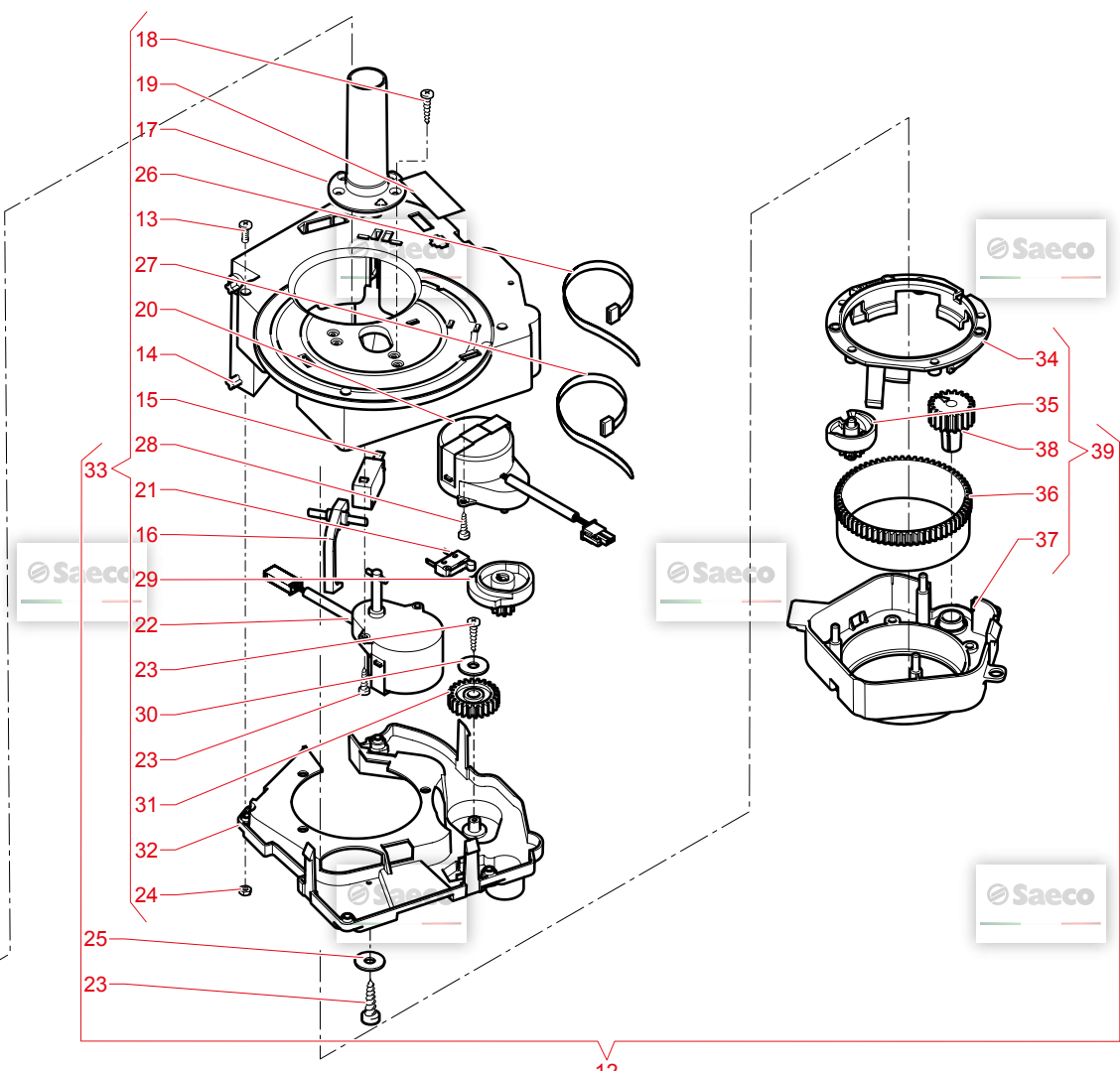
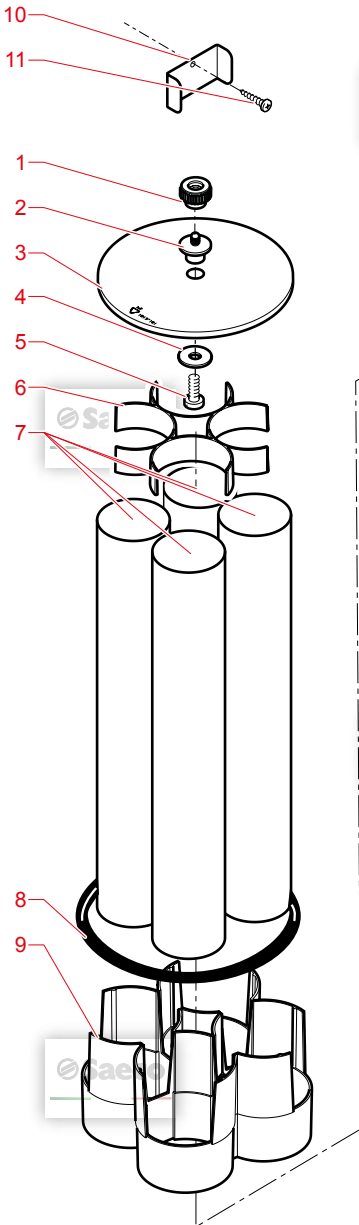
| N.POSI | COD          | I - DESCRIZIONE                     | UK - DESCRIPTION                   | F - DESCRIPTION                    | D - BEZEICHNUNG                    | E - DESCRIPCION                     | NOTE                          |
|--------|--------------|-------------------------------------|------------------------------------|------------------------------------|------------------------------------|-------------------------------------|-------------------------------|
| 1      | 11025292     | "ASS.TUBO TEFLON 3X6 L.230 1/8"-1"  | "TEFLON TUBE 3X6 L.230 1/8"-1/8"   | "ENS.TUBE TEFLON 3X6 L.230 1/8"-1" | Teflonschlauch 3x6 l=230mm / 1/8   | "ASS.TUBO TEFLON 3X6 L.230 1/8"-1"  | HS2                           |
| 2      | 11025297     | "ASS. TUBO TEFLON 3X6 L.310 1/8"-1" | "TEFLON TUBE 3X6 L.310 1/8"-1/8"   | "ASS.TUBO TEFLON 3X6 L.310 1/8"-1" | Teftonschlauch 3x6 l=310mm / 1/8   | "ASS. TUBO TEFLON 3X6 L.310 1/8"-1" | HS1                           |
| 3      | 129516803    | VITE TCB 3.5X19 DIN 7981 NIK        | SCREW TCB3.5X19 DIN 7981 NICK      | VIS 3.5*19 DIN 7981                | Spule 3.5x19 DC M249               | VITE TCB 3.5X19 DIN 7981 NIK        | fino mat. 9007FS40009611      |
| 4      | 0862.R07     | BOBINA X MM 3 VIE 24V DC M249       | SOLENOID FOR MM VALVE 3 WAY 24V    | BOBINE ELECTROVANNE 3VOIE 24V      | Spule HST 11023762                 | BOBINA X MM 3 VIE 24V DC M249       | da matr. 9007FS40009612       |
| 5      | 20005373     | RIC. BOBINA EVT HST 11023762        | SOLENOID X HST 11023762            | BOBINE ELECTROVANNE HST 11023762   | Sechskantschraube 1/8", Messing    | RIC. BOBINA EVT HST 11023762        | SN 9007FS40008612-9009FS40016 |
| 6      | 12001169     | TAPPO OTTONE 1/8 GAS CONICO TEA     | BRASS CAP 1/8 GAS CONICAL TEA      | BOUH.LAITON 1/8 GAS CONIQ TEA      | Elektroventil-Block DC             | BLOCCETTO 4 ELETTROVALVOLE DC O     | fino mat. 9007FS40009611      |
| 7      | 11009225     | BLOCC 4 ELETTROVALVE DC OLAB        | BLOCK 4 ELECTROVALVE DC OLAB       | BLOC 4 ELECTROVALVE DC OLAB        | Elektroventilsatz DC OLAB TEA      | BLOCCETTO 4 ELETTROVALVOLE DC O     | da matr. 9007FS40009612       |
| 8      | 11011470     | BLOCCETTO 4 ELETTROVALVOLE DC O     | BLOCK 4 ELECTROVALVE DC OLAB TEA   | BLOC 4 ELECTROVALVES DC OLAB TEA   | Block mit 4 Elektroventilen DC     | ***BLOCCETTO 4 ELETTROVALVOLE D     |                               |
| 9      | 9121.156.00P | OR 2025 SILICONE                    | 4 ELECTROVALVE DC BLOCK            | BLOC 4 EV DC                       | O-Ring 2025 Silicon                | OR 2025 SILICONE                    |                               |
| 10     | NM01.004     | RACCORDO PORTAGOMMA TEA             | RUBBER HOLDER CONNECTOR TEA        | JOINT 2025                         | Verschraubung mit Schlauchanschl   | RACCORDO PORTAGOMMA TEA             |                               |
| 11     | 11011453     | CANOTTO                             | TUBE                               | RACCORD TEA                        | Stutzen                            | CANOTTO                             |                               |
| 12     | 0875.R10     | OR X CANOTTO                        | OR X TUBE                          | JOINT TUBE ELECTROVANNE            | O-Ring für Stutzen                 | OR X CANOTTO                        | fino mat. 9007FS40009611      |
| 13     | 0875.R11     | NUCLEO CON MOLLA                    | NUCLEUS FOR SPRING                 | JOINT TUBE ELECTROVANNE            | Kern mit Feder                     | NUCLEO CON MOLLA                    |                               |
| 14     | 11025082     | "RACCORDO ORIENT.DADO/OGV 1/8" G M" | "1/8" G M/CONICAL ORIENT. NUT/OGV" | NOYAU ELECTROVANNE                 | Raccord 1/8 eine Seite schraubba   | "RACCORDO ORIENT.DADO/OGV 1/8" G M" |                               |
| 15     | 20005374     | ASS.NUCLEO FIS-MOB.X 11009225       | ASS.NUCLEO FIS-MOB.X 11009225      | NUCLEUS MOB. 6000BH/BODN X 11009   | SPULENERN MIT FEDER X 11009225     | ASS.NUCLEO FIS-MOB.X 11009225       |                               |
| 16     | 9111.7157    | PIASTRA ELETTROVALVOLE              | PLATE                              | PLAQUE                             | Platte Elektroventile              | PIASTRA ELETTROVALVOLE              |                               |
| 17     | 9972.072     | TUBO SILICONE 5X8 L.2000MM          | SILICONE TUBE 5X8 L.2000MM         | TUBE SILICONE MARRON L2M 5X8       | Schraube 30 x 8                    | TUBO SILICONE MARRON 5X8 L.2000     |                               |
| 18     | U116.005     | VITE AUT.PT TCB 3.0X8 WN 1441 ZN    | screw AUT.PT TCB 3.0X8 WN 1441     | VIS DE FIXATION                    | Unterflanscheibe 4,3X16 UNI 5931   | VITE AUT.PT TCB 3.0X8 WN 1441 ZN    |                               |
| 19     | U207.004     | ROSETTA PIANA 4.3X16 UNI 6592 ZN    | PLAIN WASHER 4.3X16 UNI 6592 GAL   | RONDELL 4.3*16 UNI6592ZNP          | Feder für Schieber                 | ROSETTA PIANA 4.3X16 UNI 6592 ZN    |                               |
| 20     | 9111.209.060 | CURSORE X FISSAGGIO MIX A SPIRALE   | CURSOR FOR SPIRAL MIXER FIXING     | CURSEUR X FISSAGIO MIX A SPIRALE   | Miscelatore Gehäuse Teemischer P50 | CURSORE X FISSAGGIO MIX A SPIRAL    |                               |
| 21     | 9111.211     | MOLLA X CURSORE MISCELATORE         | SPRING FOR MIXER CURSOR            | RESSORT DE CURSEUR                 | Mixer für Tee                      | MOLLA X CURSORE MISCELATORE         |                               |
| 22     | 9111.643.060 | MISCELATORE THE X TUBO 11 MM        | RAPID FIXING MIXER                 | PIECE SUPPORT MIXER                | Trichterabdeckung braun            | MISCELATORE THE X TUBO 11 MM        |                               |
| 23     | 9111.010.060 | COPERCHIO X IMBUTO MARRON           | LID FOR FUNNEL BROWN               | BOL. PROD.LYOPHILISE SEC           | Dichtung Trichter P7/P10           | COPERCHIO X IMBUTO MARRON           |                               |
| 24     | 9111.011.060 | IMBUTO X POLVERI MARRON             | SEAL FOR FUNNEL BROWN              | RONDELLE DE BOL                    | Trichter Pulver P7/P10             | IMBUTO X POLVERI MARRON             |                               |
| 25     | 1863.A07     | ASS.UGELLO ESPRESSO                 | ESPRESSO NOZZLE                    | RACCORD TUBE                       | Wasserschluss Mixerschale          | ASS.UGELLO ESPRESSO                 |                               |
| 26     | 9111.711.270 | AGG.MOTORE ARANCIO RAL2004 MIXER    | MOTOR COUPLING ORANGE RAL          | AGG.MOTORE ARANCIO RAL2004 MIXER   | Motoraufhängung                    | AGG.MOTORE ARANCIO RAL2004 MIXER    |                               |
| 27     | 9111.248.00P | MOTORE MIXER '05 24V DC - M.B.T.    | MIXER MOTOR '05 24V DC             | MOTEUR MIXEUR '05 24V DC           | Motormotor 24V DC Diamante         | MOTORE MIXER '05 24V DC - M.B.T.    |                               |
| 28     | 9111.773.060 | ANELLO PROTEZIONE MOTORE MIXER      | MOTOR PROTECTION RING              | ANNEAU DE PROTECTION MOTEUR MIXE   | Distanzbuchse                      | ANELLO PROTEZIONE MOTORE MIXER      |                               |
| 29     | 9972.055     | TUBO SILICONE 7X11 L.2000MM         | SILICONE TUBE 7X11 L.2000MM        | TUBE SILICONE 8X12                 | Siliconschlauch 8x12, l=2mtr.      | TUBO SILICONE 8X12 L=2000 MM        |                               |
| 30     | NV99.072     | FASCETTA STRINGITUBO D. 11.6/12.    | HOSE CLAMP D. 11.6/12.3            | ATTACHE D. 11.6/12.3               | Schlauchklemme D=11.6-12.3         | FASCETTA STRINGITUBO D. 11.6/12.    |                               |
| 31     | 9111.349     | UGELLO EROGAZIONE GOMITO            | ELBOW DISPENSING NOZZLE            | BUSE SORTIE COUDE                  | Produktaustrifanschluss beweglich  | UGELLO EROGAZIONE GOMITO            |                               |
| 32     | 9111.769.150 | FLANGIA MIXER '05                   | MIXER FLANGE                       | CORPS DE MIXER '05                 | Flansch zu Mischermotor            | FLANGIA MIXER '05                   |                               |
| 33     | 9111.770.060 | COPERTURA FLANGIA MIXER '05         | COVER MIXER FLANGE                 | COLLERETTE COUVERCLE MIXER         | Abdeckung Flansch zu Mischermoto   | COPERTURA FLANGIA MIXER '05         |                               |
| 34     | NM03.012     | OR ORM 0320-25 NBR                  | OR ORM 0320-25 NBR                 | JOINT 0320-25 NBR                  | O-Ring 0320-25 NBR                 | OR ORM 0320-25 NBR                  |                               |
| 35     | 9111.772.060 | VENTOLINA A DISCO MIXER '05         | DISK FAN                           | DISQUE INTERMEDIAIRE               | Mixerflügel                        | VENTOLINA A DISCO MIXER '05         |                               |
| 36     | NM05.015     | V-RING MIXER '05                    | V-RING MIXER '05                   | JOINT MIXEUR '05                   | V-Ring Mixer '05                   | V-RING MIXER '05                    |                               |
| 37     | 9111.160.06P | ASS.MIXER '05 24V DC                | ASS.MIXER '05 24V DC               | MIXEUR COMPLET 24V DC              | Mixermotor kpl. 24V                | ASS.MIXER '05 24V DC                |                               |
| 38     | 9111.230.270 | GHIERA BLOCCAGGIO MIXER ARANCIO     | MIXER LOCKING RING NUT ORANGE RA   | BAGUE DE BLOPAGE MIXEUR            | Verschließring Mischbeh.Inst.-Kaf  | GHIERA BLOCCAGGIO MIXER ARANCIO     |                               |
| 39     | 1863.A10     | ASS.MIXER A SPIRALE FS400           | ASS.MIXER FS400                    | ENSEMBLE MIXER THE                 | Spiralmischer kpl. FS400           | ASS.MIXER A SPIRALE FS400           |                               |
| 40     | 9111.227.060 | CORPO MIXER                         | MIXER CASING                       | CORPS MIXEUR 5P LYO                | Mixergehäuse P500 / CombiSnack     | CORPO MIXER                         |                               |
| 41     | 9110.027.060 | ASS.CORPO MIX                       | MIX CASING ASS.                    | KIT MIXEUR COMBI                   | Mischerhalter kpl. Inst.-Kaff      | ASS.CORPO MIX                       |                               |
| 42     | 9111.232.060 | MANICOTTO PORTATUBO STANDARD        | STD TUBE HOLDER SLEEVE             | RACCORD TUBE                       | Anschlußmuffe Mischbehält.stand.   | MANICOTTO PORTATUBO STANDARD        |                               |
| 43     | 9111.233.060 | MANICOTTO PORTATUBO DECAFFEINATO    | DECAF TUBE HOLDER SLEEVE           | EMBOUIT TUBE                       | Anschlußstück                      | MANICOTTO PORTATUBO DECAFFEINATO    |                               |
| 44     | 20007305     | RIC. NUCLEO EVT HS1 11023762        | SPARE EV MOBILE CORE 11023762      | RIC. NUCLEO EVT HS1 11023762       | SPARE EV MOBILE CORE 11023762      | RIC. NUCLEO EVT HS1 11023762        |                               |
| 45     | U116.006     | VITE AUT.PT.TCB 3.5X12 WN 1441 Z    | SCREW AUT.PT TCB 3.5X12 WN 1441    | VIS AUT.PT TCB 3.5X12              | Linse-Schraube 3.5x12 WN1441ZNP    | VITE AUT.PT TCB 3.5X12 WN 1441 Z    |                               |
| 46     | NR10.014     | "RACCORDO 1/8" D.6 ORIENTABILE"     | "CONNECTOR 1/8" D.6 REVOLVING"     | "RACCORD 1/8" D.6 ORIENTABLE"      | Klemmfeder d=8,5mm                 | "RACCORDO 1/8" D.6 ORIENTABILE"     |                               |
| 47     | NV99.036     | FASCETTA STRINGIT. D=8.5 09993.4    | HOSECLAMP D=8.5 09993.41.00        | ATTACHES 09993.41.00               | "Sechskantmutter 1/8" GAS h=4,5mm" | FASCETTA STRINGIT. D=8.5 09993.4    |                               |
| 48     | 9991.035     | DADO 1/8 H.4.5                      | NUT 1/8 H.4.5                      | ECROU 1/8 H.4.5                    | ELEKTROVENTIL 24V TEA              | DADO 1/8 H.4.5                      |                               |
| 49     | 11027286     | ELETTROVALVE 24V DC TEA             | ELETTROVALVE 24V DC TEA            | ELECTROVANNE 24VDC TEA             |                                    | ELETTROVALVOLA 2 VIE 24V DC TEA     |                               |





| N.POSI | COD          | I - DESCRIZIONE                    | UK - DESCRIPTION                       | F - DESCRIPTION                  | D - BEZEICHNUNG                        | E - DESCRIPCION                    |
|--------|--------------|------------------------------------|--|----------------------------------|--|------------------------------------|
| 1      | 9971.015     | TUBO TEFLON 4X6 L.2 METRI          | TEFLON TUBE 4X6 L.2 MT                 | TUYAU TEFLON 4X6 L=2M            | Telfonschlauch 4x6 Meterware           | TUBO TEFLON 4X6 L.2 METRI          |
| 2      | NR10.014     | "RACCORDO 1/8" D.6 ORIENTABILE"    | "CONNECTOR 1/8" D.6 REVOLVING"         | "RACCORDO 1/8" D.6 ORIENTABLE"   | "Racord 1/8" D=6 beweglich             | "RACCORDO 1/8" D.6 ORIENTABILE"    |
| 3      | 11002259     | CORPO SUPERIORE M6 TEA             | UPPER DOSER CASING M6 TEA              | CORPS SUPERIEUR M6 TEA           | HERMOBLOCK OBERTEIL M6 TEA             | CORPO SUPERIORE M6 TEA             |
| 4      | 11000972     | OR 3050 FKM 80 FD PEROXIDICA       | OR 3050 FKM 80 FD PEROXIDICA           | JOINT OR 3050 FKM 80 FD PEROXIDI | O-Ring 3050 PEROXID                    | OR 3050 FKM 80 FD PEROXIDICA       |
| 5      | 11007593     | RES.CALD. 120V 1000W INC.800       | RES CALD.V230 W1000                    | NON UTILISE POUR LA FRANCE ET LE | Heizung Cristallo/Rubino/Topazio       | RES.CALD. 120V 1000W INC.800       |
| 6      | 9011.255.00A | OR ORM 0730-40 FPM 70 +5 IRHD N    | OR ORM 0730-40 FPM 70+5 IRHD BL        | JOINT DE CHAUDIERE OR ORM 0730-4 | O-Ring 0730-40 Viton 75 FDA            | OR ORM 0730-40 FPM 70 +5 IRHD N    |
| 7      | NM04.010     | CORPO INFERIORE M6 VENDING TEA     | LOWER OVERSIZE CASING M6 VENDING       | CORPS INFERIEUR DE CHAUDIERE M6  | Thermoblock-Unterteil M6               | CORPO INFERIORE M6 VENDING TEA     |
| 8      | 9011.254     | ISOLANTE CALDAIA OTTONE            | BRASS BOILER ISOLATOR                  | ISOLANT THERMIQUE CHAUDIERE      | Isolierung z. Boiler                   | ISOLANTE CALDAIA OTTONE            |
| 9      | 9991.161     | NASTRO CALDAIA ACQUA E VAPORE L=   | WATER *STEAM BOILER STRAP L=250        | STRAP EAU CHAUDE ET VAPEUR       | Klebeband 50x265mm, Aluminium          | NASTRO CALDAIA ACQUA E VAPORE L=   |
| 10     | 11003769     | ASS.CALDAIA CRISTALLO400 120V      | BOILER ASS.: CRISTALLO400 120V         | NON UTILISEE PAR LA FRANCE ET LE | Boiler kpl. Cristallo 400 - 300mm      | ASS.CALDAIA CRISTALLO400 120V      |
| 11     | 11121477     | ASS.CALDAIA 230V TEA               | CHASE BOILER                           | ENS. CHAUD. 230V TEA             | Boiler kpl. Cristallo 230V TEA         | ASS.CALDAIA 230V TEA               |
| 12     | U207.001     | STAFFA CALDAIA                     | PLAIN WASHER 5.3X10 UNI 6592 GAL       | SUPPORT CHAUDIERE                | Halterung für Thermoblock              | STAFFA CALDAIA                     |
| 13     | U043.021     | ROSETTA PIANA 5.3X10 UNI 6592 ZN   | screw TCBC M5.0X8 UNI 6592 ZN          | RONDELL 5.3*10 UNI6592 ZN        | Scheibe A5.3 DIN 125 verz.             | ROSETTA PIANA 5.3X10 UNI 6592 ZN   |
| 14     | 12001052     | VITE TCEI M4.0X6 UNI 5931 8.8 ZI   | SCREW TCEI M4.0X6 DIN 912 ZIN          | VIS TCEI M4.0X6 UNI 5931 ZIN     | Linsenschraube M5x8 DIN 7985 ver       | VITE TCEI M4.0X6 UNI 5931 8.8 ZI   |
| 15     | 226830200    | MOLLA FERMA 3 TERMOSTATI           | RETAIN SPRING 3 THERM. +THERMAL        | RESSORT THERMOSTATIQUE           | Thermostatfeder 3 Thermosta            | MOLLA FERMA 3 TERMOSTATI+TERMOFU   |
| 16     | 11000990     | ASS.SENSORE FS400                  | ASS.SENSOR FS400                       | REGULATEUR DE CHAUFFE FS400      | Temperatursensor Cristallo 230V        | ASS.SENSORE FS400                  |
| 17     | 11003810     | ASS.SENSORE CRISTALLO400 120V      | SENSOR ASS. CRISTALLO400 120V          | ENSEMBLE SONDE CRISTALLO 400 120 | SENSOR CRISTALLO400 120V               | ASS.SENSORE CRISTALLO400 120V      |
| 18     | 9991.085     | RONDELLA FERMATERMOSTATI           | THERMOSTAT FIXING WASHER               | RONDELLE DE THERMOSTAT           | Thermostatabschlühung d= 15mm          | RONDELLA FERMATERMOSTATI           |
| 19     | NE09.021     | TERMOSTATO 150°NC FASTON 90°       | THERMOSTAT 150°NC FASTON 90°           | HERMOSTAT 150                    | Thermostat 150°C                       | TERMOSTATO 150°NC FASTON 90°       |
| 20     | U023.020     | VITE TCEI M6X20 UNI 5931 8.8 ZIN   | SCREW TCEI M6X20 UNI 5931 ZIN          | VIS M6X20                        | Zylinderschr. M6x20 DIN 912 verz       | VITE TCEI M6X20 UNI 5931 8.8 ZIN   |
| 21     | NE15.031     | LINGUETTA MASCHIO PIANA 6.3 D.6,   | MALE TONGUE PLAIN 6.3 D.6.3            | LANGUETTE DE TERRE 6.3 D.6.3     | Schutzleiteranschluß zu Schraube       | LINGUETTA MASCHIO PIANA 6.3 D.6,   |
| 22     | 11011454     | RACCORDO A T X CALDAIA TEA         | "*****" CONNECTOR FOR BOILER TEA T**** | RACCORD EN T POUR CHAUDIERE TEA  | "*****" CONNECTOR FOR BOILER TEA T**** | RACCORDO A T X CALDAIA TEA         |
| 23     | 9991.029     | DADO X RESISTENZA                  | "NUT FOR RESISTOR                      | ECROU DE LA RESISTANCE           | Sechskantmutter zur Heizschlange       | DADO X RESISTENZA                  |
| 24     | 9991.007     | "DADO X RACCORDO 1/8"****          | "NUT FOR CONNECTOR 1/8"****            | RACCORD 1/8 GAS                  | Sechskantmutter 1/8 GAS Mess. b=       | "DADO X RACCORDO 1/8"****          |
| 25     | 9991.009     | BOCCOLA INTERNA D.4                | INSIDE BUSH D.4                        | BAGUE ETANCHEITE INTERNE         | Stützhülse d=4mm Messing               | BOCCOLA INTERNA D.4                |
| 26     | 9991.129     | BOCCOLA INTERNA D.4 OTTONE NIK     | INTERNAL BUSH D.4 BRASS NIK            | DOUILLE INTERNE D.4              | Hülse Innen D.4 SG/700                 | BOCCOLA INTERNA D.4 OTTONE NIK     |
| 27     | 9991.008     | TUBO TEFLON 4X6 L.250 MM           | TEFLON TUBE 4X6 L.250 MM               | TUBE TEFLON 4X6 L.250 MM         | Telfonschlauch 4x6 mm messing          | TUBO TEFLON 4X6 L.250 MM           |
| 28     | 9991.035     | BOCCOLA ESTERNA D.6                | EXTERNAL BUSH D.6                      | BAGUE D'ETANCHEITE               | Klemmhülse d=6 mm messing              | BOCCOLA ESTERNA D.6                |
| 29     | 9121.145.00P | DADO 1/8 H.4.5                     | NUT 1/8 H.4.5                          | ECROU 1/8 H.4.5                  | "Sechskantmutter 1/8" GAS h=4.5mm"     | DADO 1/8 H.4.5                     |
| 30     | 9972.057     | ELETTROVALVOLA 3 VIE DC            | ELECTROVALVE 3 WAYS                    | ELECTROVAVNE 3 VOIES             | Elektroventil P8                       | ELETTROVALVOLA 3 VIE DC            |
| 31     | 9972.052     | TUBO SILICONE 5X8 L.2000MM         | SILICONE TUBE 5X8 L.2000MM             | TUBE SILICONE MARRON L2M 5X8     | Siliconschlauch 5x8, l=2mtr., bra      | TUBO SILICONE MARRON 5X8 L.2000    |
| 32     | 128310404    | CAMMA X MOTORIDUTTORE NERA         | CAM FOR RATIO MOTOR BLACK              | CAME MOTEUR REDUCTEUR            | Doppelnocken Scheibe schwarz           | CAMMA X MOTORIDUTTORE NERA         |
| 33     | 128324002    | ROSETTA UNI 8842 A4 BRUNITA        | WASHER UNI 8842 A4 BURNISHED           | RONDELLE UNI 8842 A4             | Fächerschleibe A4.3 DIN 6798 verz      | ROSETTA UNI 8842 A4 BRUNITA        |
| 34     | U302.002     | ROSETTA DENT. 3.3X5.8 UNI 3703 Z   | TGB SCREW M4X10 UNI 7687 ZNP           | VIS TGB M4X10 UNI 7687           | Schraube M4x10                         | VITE TGB M4X10 UNI 7687 ZNP        |
| 35     | NE05.066     | ROSETTA DENT. 3.3X5.8 UNI 3703 Z   | TOOTHED WASHER 3.3X5.8 UNI 3703        | RONDELLE DENT. 3.3X5.8 UNI 3703  | FEDERING 3.3x5.8                       | ROSETTA DENT. 3.3X5.8 UNI 3703 Z   |
| 36     | 9991.014     | MICROINTERRUTTORE CROUZET          | MICROSWITCH CHERRY D4190A1             | ECROU M3 UNI 5588 ZNP            | Mutter M3                              | MICROINTERRUTTORE CROUZET          |
| 37     | 11032817     | CARTONCINO X MICROINTERRUTTORE     | CARD FOR MICRO SWITCHES                | MICRO INTERRUPTEUR CROUZET       | Mikroschalter Getriebemotor Cris       | CARTONCINO X MICROINTERRUTTORE     |
| 38     | 11032818     | MOTORIDUTTORE IN PLASTICA PACCO 30 | RATIO MOTOR 30 PACK 220/40-50          | PLAQ.SUPP.MICRO INTERRUPT        | Isolationscheibe                       | MOTORIDUTTORE IN PLASTICA PACCO 30 |
| 39     | 11032819     | MOTORIDUTTORE IN PLASTICA PACCO 30 | RATIO MOTOR 30 PACK 120/60             | MOTEUR REDUCTEUR                 | Getriebemotor 120/60                   | MOTORIDUTTORE IN PLASTICA PACCO 30 |
| 40     | 0862.R17     | ASS.NUCLEO MOB.D.9 SPEC.MOLLA DU   | ASS.NUCLEUS                            | MOTEUR REDUCTEUR                 | Getriebemotor 220/60                   | ASS.NUCLEO MOB.D.9 SPEC.MOLLA DU   |
| 41     | 0862.R15     | ORM 0-100 10X1.5 NBR SOPRA BOBIN   | ORM 0-100 10X1.5 NBR UP COIL           | JOINT 0-100 10X1.5 NBR UP COIL   | Pleuel kpl. mit Feder d=9 mm           | ORM 0-100 10X1.5 NBR SOPRA BOBIN   |
| 42     | 0862.R07     | "ASS.CANNOTTO 3/2 VIE""OR.SUP.D."  | ASS.TUBE 3/2 WAYS                      | ENS CANAL 2 VOIES                | O-Ring 0-100 ø10x1.5 E-Ventil          | "ASS.CANNOTTO 3/2 VIE""OR.SUP.D."  |
| 43     | 9991.212     | BOBINA X MM 3 VIE 24V DC M249      | SOLENOID FOR MM VALVE 3 WAY 24V        | BOBINE ELECTROVAVNE 3VOIE 24V    | Spule 3-Weg 24V DC M249                | BOBINA X MM 3 VIE 24V DC M249      |
| 44     | 140321462    | RACCORDO SUPPORTO CALDAIA NIK      | CONNECTOR BOILER SUPPORT               | RACCORD SUPPORT DE CHAUDIERE     | Racord zu Support Thermoblock          | RACCORDO SUPPORTO CALDAIA NIK      |
| 45     | 126765317    | MOLLA PIST CALD.MAGIC 9011.007 A   | O-RING 2018 SILICONE                   | RESSORT 2018                     | O-Ring 2018 Silikon                    | MOLLA PIST CALD.MAGIC 9011.007 A   |
| 46     | 9019.A01     | ASS.SPILLO                         | PIN ASS.                               | PISTON                           | Ventilfeder                            | ASS.SPILLO                         |
| 47     | 9019.A20     | ASS.SPILLO IN OTTONE NIK           | PIN ASS. BRASS NIK                     | PIECE INTERMEDIAIRE NIK          | Messing-Nadel kpl.                     | ASS.SPILLO IN OTTONE NIK           |
| 48     | 9161.271     | SUPPORTO CALDAIA TELONATO          | BOILER TEFLON SUPPORT                  | SUPPORT CHAUDIERE NIK            | Ventilsupport P7PL                     | SUPPORTO CALDAIA TELONATO          |
| 49     | 9111.473     | SUPPORTO CALDAIA OTT. NIK          | BRASS BOILER SUPPORT NIK               | SUPPORT CHAUDIERE NIK            | Boilersupport Teflon                   | SUPPORTO CALDAIA OTT. NIK          |
| 50     | 9011.005     | ISOLANTE X SUPPORTO CALDAIA        | INSULATOR FOR BOILER SUPPORT           | ISOLANT SUPPOR CHAUDIERE         | Isolierung zu Boilerhalterung          | ISOLANTE X SUPPORTO CALDAIA        |
| 51     | U044.013     | PERNO X CALDAIA                    | PEG FOR BOILER                         | PIVOT POUR CHAUDIERE             | Fixiersstift mit Gewinde M4            | PERNO X CALDAIA                    |
| 52     | 128225502    | VITE TSPC M4.0X12 UNI 7688 ZNP     | screw TSPC M4.0X12 UNI 7688 GALV       | VIS M4.0X12 UNI 7688 GALV        | Senkschraube M4x12 DIN 965 verz.       | VITE TSPC M4.0X12 UNI 7688 ZNP     |
| 53     | 11004285     | VITE TCB M4X25 UNI 7687 ZNP        | TCB SCREW M4X25 UNI 7687 ZNP           | VIS TCB M4X25 7687               | Linsenschraube M4x25 DIN 7985 ve       | VITE TCB M4X25 UNI 7687 ZNP        |
| 54     | 129511903    | SQUADRETTA RIPARO MOTORIDUTTORE    | CENTRAL UNIT MOTOR STEEL CARTER        | CARTER UNITE MOTEUR              | Schutzrinne Getriebemotor              | SQUADRETTA RIPARO MOTORIDUTTORE    |
| 55     | U034.001     | VITE TCB 2.9X6.4 DIN 7981 BZ NIK   | SC-REW TCB 2.9X6.4 DIN 7981 BZ NIK     | VIS TCB 2.9X6.4 UNI 7981 BZ NICK | Blechschraube 2.9x6.4 Ni               | VITE TCB 2.9X6.4 DIN 7981 BZ NIK   |
| 56     | 9991.015     | VITE TCI M3.0X30 UNI 6107 ZNP      | screw TCI M3.0X30 UNI 6107 GALV.       | VIS TCI M3X30UNI6107 ZNP         | Zylinderschr.M3x30 DIN 84 verz.        | VITE TCI M3.0X30 UNI 6107 ZNP      |
| 57     | 9991.013     | PIASTRINA X MICRO                  | PLATE FOR MICRO                        | PLAQUETTE MICRO INTERRUPT        | Montageblech für Mikroschalter         | PIASTRINA X MICRO                  |
| 58     | U043.007     | GIUNTO X MOTORIDUTTORE             | JOINT FOR RATIO MOTOR                  | PIGNON MICRO REDUCTEUR           | Kupplung GServiceiebemotor P8 A        | GIUNTO X MOTORIDUTTORE             |
| 59     | 1813.103.A20 | VITE TCBC M3.0X8 UNI 7687 ZNP      | screw TCBC M3.0X8 UNI 7687 GALV.       | VIS TCBC M3X8UNI 7687 ZNP        | Linsenschraube M3x8 DIN 7985 ver       | VITE TCBC M3.0X8 UNI 7687 ZNP      |
| 60     | U701.011     | GHIERA DI REGOLAZIONE MACINE       | RING NUT OF GRIND REGULATION           | BAGUE DE REGLAGE                 | Einstellring Mahlgrad SG200            | GHIERA DI REGOLAZIONE MACINE       |
| 61     | 1813.046.050 | ANELLO ELASTICO 5 UNI 7434 ACC.    | STEEL SNAP RING 5 UNI 7434             | ANNEAU                           | Sicherungsring ø5 elastisch            | ANELLO ELASTICO 5 UNI 7434 ACC.    |
| 62     | 1813.045.A20 | GOMMINO SUPPORTO MACININO          | RUBBER GRIND SUPPORT                   | GOMME SUPPORT MEULE              | Stützgummi zu Mahlwerk                 | GOMMINO SUPPORTO MACININO          |
| 63     | 1813.045.A20 | SUPPORTO MACININO                  | GRIND SUPPORT                          | SUPPORT DE MOULIN                | Support Mahlweromotor SG200            | SUPPORTO MACININO                  |

| N.POSI<br>COD | I - DESCRIZIONE | UK - DESCRIPTION                    | F - DESCRIPTION                   | D - BEZEICHNUNG                   | E - DESCRIPCION                     |
|---------------|-----------------|-------------------------------------|-----------------------------------|-----------------------------------|-------------------------------------|
| 61            | 1813.097.A20    | DISTANZIALE X MACINACAFFE' H=11,    | ENTRETOISE                        | Distanzstück zu Mahlwerk          | DISTANZIALE X MACINACAFFE' H=11,    |
| 62            | 1813.177        | GUARNIZIONE SUPPORTO MACININO       | SUPPORT SEAL                      | Dichtung zu Mahlwerk              | GUARNIZIONE SUPPORTO MACININO       |
| 63            | 12002052        | VITE TCB M4X16 ZN-B                 | ZN-B TCB SCREW M4X16              | LINSEN BLECHSCHCHR. M4,0X16       | VITE TCB M4X16 ZN-B                 |
| 64            | U203.001        | ROSETTA PIANA 4,3X8 UNI 1749 ZNP    | PLAIN WASHER 4,3X8 UNI 1749 GAL   | RONDELLE 4,3X8 UNI 1749 ZNP       | ROSETTA PIANA 4,3X8 UNI 1749 ZNP    |
| 65            | 9141.003        | DISTANZIALE X GOMMINO               | SPACER FOR RUBBER                 | RONDELLE D'ECARTEMENT             | DISTANZIALE X GOMMINO               |
| 66            | 9991.005        | GOMMINO X MACINACAFFE'              | RUBBER FOR COFFEE GRINDER         | SILENT BLOC                       | GOMMINO X MACINACAFFE'              |
| 67            | 9140.001.00A    | ASS.MOTORE MACINACAFFE'220/230V     | COFFEEGRINDER MOTOR ASS.220/230V  | SILENT BLOC CAFE MOULU            | ASS.MOTORE MACINACAFFE'220/230V     |
| 67            | 9140.001.00F    | ASS.MOTORE MACINACAFFE'120V         | COFFEEGRINDER MOTOR ASS.120V      | MOTEUR MOUTURE 220/230V           | ASS.MOTORE MACINACAFFE'120V         |
| 68            | 11003788        | ASS.MOTORIDUTTORE CRISTALLO400 120V | ASS.RATIOMOTOR CRISTALL0400 120V  | NON UTILISEE PAR LA FRANCE ET LE  | ASS.MOTORIDUTTORE CRISTALLO400 120V |
| 68            | 11005172        | ASS.MOTORIDUTTORE CRISTALL0400 220V | ASS.RATIOMOTOR CRISTALL0400 220V  | ENSEMBLE MOTORREDUCTEUR CRISTALLO | ASS.MOTORIDUTTORE CRISTALL0400 220V |
| 68            | 9120.060.00A    | ASS.MOTORIDUTTORE X DA 230V FS40    | ASS.RATIOMOTOR FOR DA 230V FS400  | MOTEUR REDUCTEUR FS400            | ASS.MOTORIDUTTORE X DA 230V FS40    |
| 69            | U207.002        | ROSETTA PIANA 4,3X9 UNI 6592 ZNP    | PLAIN WASHER 4,3X9 UNI 6592 GAL   | RONDELLE 4,3*9 UNI6592 ZNP        | ROSETTA PIANA 4,3X9 UNI 6592 ZNP    |
| 70            | 9141.008        | VITE DI REGOLAZIONE MANOPOLA        | KNOB ADJUSTMENT SCREW             | VIS DE ANNEAU DE REGLAGE          | VITE DI REGOLAZIONE MANOPOLA        |
| 71            | 140321560       | OR 3187 NBR                         | O-RING 3187 NBR                   | JOINT NBR 3187                    | OR 3187 NBR                         |
| 72            | 9141.081        | MACINA PIANA D.43                   | FLAT MILL D.43                    | MEULE D.43                        | MACINA PIANA D.43                   |
| 73            | 9141.001        | VITE DI INCREMENTO MC IN OTTONE     | BRASS INCREMENT SCREW MC          | VIS D'ENTRAINEMENT CAFE           | VITE DI INCREMENTO MC IN OTTONE     |
| 74            | 9141.007        | VENTOLINA                           | FAN                               | SUPPORT DE MEULE                  | VENTOLINA                           |
| 75            | 9140.002.00A    | ASS.MOTORE CON CALOTTA 230V         | MOTOR ASS.WITH CAP 230V           | MOTEUR MOUTURE 500                | ASS.MOTORE CON CALOTTA 230V         |
| 75            | 9140.002.00F    | ASS.MOTORE CON CALOTTA 120V         | MOTOR ASS.WITH CAP 120V           | NON UTILISEE PAR LA FRANCE ET LE  | ASS.MOTORE CON CALOTTA 120V         |
| 76            | 0701.R34        | SPAZZOLA MOTORE MACINACAFFE'        | MOTOR BRUSH                       | BROCHE DE MOTEUR                  | SPAZZOLA MOTORE MACINACAFFE'        |
| 77            | 15000422        | ETICHETTA GRADUAZIONE MACINATURA    | LABEL GRADUATION GRINDING         | ETIQUETTE DE GRADUATION MOULIN    | GOMMINO ANTIVIBRAZIONE              |
| 78            | 1813.159        | GOMMINO ANTIVIBRAZIONE              | ANTIVIBRATION RUBBER              | SILENT BLOC                       | GOMMINO ANTIVIBRAZIONE              |
| 79            | 1813.104.A20    | VITE REGOLAZIONE MACININO           | ADJUSTMENT SCREW WITH TUBE HOLDE  | VIS DE REGLAGE                    | VITE TSPC M4,0X25 UNI 7688 ZNP      |
| 80            | U044.022        | VITE TSPC M4,0X25 UNI 7688 ZNP      | screw TSPC M4,0X25 UNI 7688 GALV. | VIS TSPC M5,0X8 UNI 7688 GALV.    | PERNO MANOPOLA                      |
| 81            | 9141.005        | PERNO MANOPOLA                      | KNOB PIN                          | AIGUILLE D'ARRAETOR               | PERNO MANOPOLA                      |
| 82            | 126769118       | MOLLA X PERNO FERMA MANOPOLA (H=    | SPRING FOR KNOB STOP PIN (H=19)   | RESSORT D'ARXE                    | MOLLA X PERNO FERMA MANOPOLA (H=    |
| 83            | U116.006        | VITE AUT.PT TCB 3,5X12 WN 1441 Z    | SCREW AUT.PT TCB 3,5X12 WN 1441   | VIS AUTPT TCB 3.5X12              | VITE AUT.PT TCB 3,5X12 WN 1441 Z    |
| 84            | 1813.A10.A2A    | ASS.DOSATORE 6-11 GR. 120V UL       | DOSER ASS. 6-11 GR.               | DOSEUR                            | ASS.DOSATORE 6-11 GR.               |
| 84            | 1813.A10.A2N    | ASS.DOSATORE 6-11 GR. 220V 60HZ     | DOSER ASS. 6-11 GR. 220V 60HZ     | NON UTILISEE PAR LA FRANCE ET LE  | ASS.DOSATORE 6-11 GR. 220V UL       |
| 85            | 12002151        | VITE TSP M3X4 UNI 7688 INOX         | TSP SCREW M3X4 UNI 7688 SS        | VIS TSP M3X4 UNI 7688             | ASS.DOSATORE 6-11 GR. 220V 60HZ     |
| 86            | 1813.042.A20    | PALETTA DOSATORE                    | DISPENSER PALLET                  | PALETTE DOSEUR                    | VITE TSP M3X4 UNI 7688 INOX         |
| 87            | 9121.235.00A    | ELETTROM. PER DOSATORE CON NUCLE    | ELECTROMAGNET FOR DISPENSER WITH  | ELECTROAIMANT DOSEUR CAFE SG200   | PALETTA DOSATORE                    |
| 87            | 9121.235.00F    | ELETTROM. X DOSAT/INUCLEO 120V 6    | ELECTROMAGNET X DISPENSER WNUCL   | NON UTILISEE PAR LA FRANCE ET LE  | ELETTROM. PER DOSATORE CON NUCLE    |
| 87            | 9121.235.00N    | ELETTROM. X DOSAT/INUCLEO 220V 6    | ELECTROMAGNET X DISPENSER WNUCL   | NON UTILISEE PAR LA FRANCE ET LE  | ELETTROM. X DOSAT/INUCLEO 120V 6    |
| 88            | 1813.040.A20    | GUSCIO DOSATORE                     | DISPENSER SHELL                   | CARTER DE DOSEUR                  | ELETTROM. X DOSAT/INUCLEO 220V 6    |
| 89            | NE15.003        | LINGUETTA MASCHIO PIANA 6,3 D.5,    | MALE TONGUE PLAIN 6,3 D.5,2       | LANGUETTE 6,3 D.5,2               | GUSCIO DOSATORE                     |
| 90            | 129821402       | VITE TCB M3X4 UNI 7687 ZNP          | SCREW M3X4 UNI 7687 ZNP           | TCB SCREW M3X4 UNI 7687 ZNP       | VITE TCB M3X4 UNI 7687 ZNP          |
| 91            | 1813.127        | MOLLA X ELETTROMAGNETE DOSATORE     | SPRING FOR ELECTROMAGNET          | RESSORT ELECTROAIMANT             | MOLLA X ELETTROMAGNETE DOSATORE     |
| 92            | 1813.091        | PERNO ELETTROMAGNETE                | PIN FOR DISPENSER REGULATION      | AXE ELECTROAIMANT                 | PERNO ELETTROMAGNETE                |
| 93            | 1813.043.A20    | REGOLATORE DOSATORE                 | DISPENSER REGULATION              | DOSEUR                            | REGOLATORE DOSATORE                 |
| 94            | 1813.078.A20    | LEVA REGOLAZIONE                    | ADJUSTMENT LEVER                  | LEVIER D'AJUSTEMENT               | REGOLATORE DOSATORE                 |
| 95            | 1813.044.A20    | PALETTA X REGOLATORE                | PALLET FOR REGULATION             | PLAQUE                            | LEVA REGOLAZIONE                    |
| 96            | NE05.062        | MICROINTERRUTTORE C/ROTELLA         | MICROSWITCH + WHEEL               | MICROCONTACT                      | PALETTA X REGOLATORE                |
| 97            | U116.004        | VITE AUT.PT TCB 3,0X16 WN 1441 Z    | screw AUT.PT TCB 3,0X16 WN 1441   | VIS TCB 3X16                      | MICROINTERRUTTORE C/ROTELLA         |
| 98            | 1813.191.A20    | COPERTURA DOSATORE                  | DISPENSER COVER                   | COUVERCLE DOSEUR                  | VITE AUT.PT TCB 3,0X16 WN 1441 Z    |
| 99            | 1813.041.A20    | GUSCIO ESTERNO DOSATORE             | OUTSIDE SHELL DISPENSER           | CARTIER EXTERIEUR DE DOSEUR       | COPERTURA DOSATORE                  |
| 100           | 129514003       | VITE TCB 2,9X22,2 DIN 7981 NIK      | SCREW TCB 2,9X22,2 DIN 7981 NICK  | VIS TCB 2,9X22,2 DIN7981          | GUSCIO ESTERNO DOSATORE             |
| 102           | 12002039        | VITE TCB M4X12 ZN-B                 | SCREW TCB M4X12 ZN-B              | VIS TCB M4X12 ZN-B                | VITE TCB 2,9X22,2 DIN 7981 NIK      |



| N.POSI | COD          | I - DESCRIZIONE                      | UK - DESCRIPTION                 | F - DESCRIPTION                   | D - BEZEICHNUNG                  | E - DESCRIPCION                  |
|--------|--------------|--------------------------------------|----------------------------------|-----------------------------------|----------------------------------|----------------------------------|
| 1      | 12002034     | VOLANTINO ZIGRINATO D.18 BOCC.OT     | KNOB WITH BUSH M5                | KNOB WITH BUSH M5                 | KNOB WITH BUSH M5                | VOLANTINO ZIGRINATO D.18 BOCC.OT |
| 2      | 11010585     | PERNO CENTROGGIO COLONNA BICCHIE     | CENTRAL PIN FOR CUP COLUMN       | AXE CENTRALE COLONNE GOBELET      | AXIALSCHRAUBE BECHERTURM         | PERNO CENTROGGIO COLONNA BICCHIE |
| 3      | 11028032     | COPERCHIO SERBATOIO BICCHIERI 4      | TANK LID GLASSES                 | COUVERCLE TUBES GOBELETS 4 COLON  | BECHERTURM ABDECKUNG             | COPERCHIO SERBATOIO BICCHIERI 4  |
| 4      | U207.009     | ROSETTA PIANA 5.5X15 UNI 6593 ZN     | PLAIN WASHER 5.5X15 UNI 6593 GA  | RONDELLE                          | Scheible 5.5x15, verzinkt        | ROSETTA PIANA 5.5X15 UNI 6593 ZN |
| 5      | U043.021     | VITE TCBC M5.0X8 UNI 7687 ZNP        | screw TCBC M5.0x8 UNI 7687 GALV. | VIS TCBCM5X8 UNI 7687 ZNP         | Linsenschraube M5x8 DIN 7985 ver | VITE TCBC M5.0X8 UNI 7687 ZNP    |
| 6      | 11005072     | MOLLA FISSAGGIO TUBO BICCHIERE       | CUP TUBE FIXING SPRING           | SUPPORT TUBE GOBELET              | Feder Befestigung Becherrohr     | MOLLA FISSAGGIO TUBO BICCHIERE   |
| 7      | 1863.054     | TUBO BICCHIERI                       | CUP TUBE                         | TUBE GOBELET                      | Becherrohr Cristallo 400         | TUBO BICCHIERI                   |
| 8      | NM02.002     | OR 4412 EPDM                         | OR 4412 EPDM                     | JOINT 4412 EPDM                   | O-Ring 4412 EPDM                 | OR 4412 EPDM                     |
| 9      | 11000976     | SERBATOIO BICCHIERI UNIFICATO        | TANK DRINKS                      | GOBELETTEUSE                      | Halterung Becherrohre Cristallo  | SERBATOIO BICCHIERI UNIFICATO    |
| 10     | 1813.162     | SQUADRETTA FERMO DISPENSER           | BRACKET STOP DISPENSER           | PLAQUE DE FERMETURE               | Befestigungswinkel zu Becherausg | SQUADRETTA FERMO DISPENSER       |
| 11     | U110.004     | VITE AUT.TCB 3.5X6.5 DIN 7981 F      | screw AUT.TCB 3.5x6.5 DIN 7981 F | VIS AUT.TCB 3.5X6.5 DIN 7981 F    | Schraube 3.5x6.5 DIN 7981 F      | VITE AUT.TCB 3.5X6.5 DIN 7981 F  |
| 12     | 11000785     | ASS.DISTRIBUTORE BICCHIERI 120V      | CASING UPPER CUP DISTRIBUTOR UL  | NON UTILISEE POUR LA FRANCE ET LE | BECHERSPENDER KPLT. 120V UL D.73 | ASS.DISTRIBUTORE BICCHIERI 120V  |
| 13     | 11000868     | ASS.DISTRIBUTORE BICCHIERI D.73      | CRISTALLO400 ASSEMBLED DISPENSER | DISTRIBUTEUR GOBELET D.73         | Becherspender kplt. 220V d=73    | ASS.DISTRIBUTORE BICCHIERI D.73  |
| 14     | 9110.140.A2A | ASS.DISTRIBUTORE BICCHIERI           | CUP DISTRIBUTOR                  | DISTRIBUTEUR GOBELET              | Becherspender kplt. 230V d=70    | ASS.DISTRIBUTORE BICCHIERI       |
| 15     | U034.001     | VITE TC M3.0X30 UNI 6107 ZNP         | screw TC M3.0x30 UNI 6107 GALV.  | VIS TC M3X30UNI6107 ZNP           | Zylinderschr.M3x30 DIN 84 verz.  | VITE TC M3.0X30 UNI 6107 ZNP     |
| 16     | 11000785     | CORPO SUPERIORE DISTRIBUTORE BIC     | UPPER CASING DISPENSER GLASSES   | CORPS SUPERIEUR DISTRIBUTEUR      | Gehäuse Becherspender oben       | CORPO SUPERIORE DISTRIBUTORE BIC |
| 17     | 11000868     | CORPO SUPERIORE DISTRIBUTORE BIC     | CASING UPPER CUP DISTRIBUTOR UL  | NON UTILISEE PAR LA FRANCE ET BE  | Gehäuse Becherspender oben UL Ve | CORPO SUPERIORE DISTRIBUTORE BIC |
| 18     | NE05.065     | MICROINTERRUTTORE CHERRY D41R-QG     | MICROSWITCH CHERRY D41R-QGAD_61  | MICRO CONTACT D41R-QGAD_61        | Mikroschalter Becherausgabearm   | MICROINTERRUTTORE CHERRY D41R-QG |
| 19     | 1813.067.A20 | LEVA PRESENZA BICCHIERI              | LEVER                            | LEVIER PRESENCE GOBELET           | Schaltelenent zu Becher          | LEVA PRESENZA BICCHIERI          |
| 20     | 11000642     | CANOTTO PER GESTELLO BICCHIERI       | TUBE FOR BASKET GLASSES          | TUBE A GOBELETS                   | Stutzen zu Becherkorb            | CANOTTO PER GESTELLO BICCHIERI   |
| 21     | U142.008     | PANELVIT TSP 3.5X12 DIN 7505 A Z     | PANELVIT TSP 3.5X12 DIN 7505 A G | VIS TSP 3.5X12 DIN 7505 A GAL     | Schraube TSP 3.5x12 DIN 7505     | PANELVIT TSP 3.5X12 DIN 7505 A Z |
| 22     | 11001467     | ETICHETTA ADESIVA PVC 54X30 MM       | ADHESIVE LABEL PVC 54X30 MM      | ETIQUETTE ADHESIVE 54MMX30MM      | AUFKLEBER SCHWARZ 54MMX30MM      | ETICHETTA ADESIVA PVC 54X30 MM   |
| 23     | 9121.226.00A | MOTORE SAIA UDS 5 RPM 220V           | MOTOR SAIA UDS 5 RPM 220V        | MOTEUR SAIA UDS 5 RPM 220V        | Motor zu Becherwerk 230V / 50Hz  | MOTORE SAIA UDS 5 RPM 220V       |
| 24     | 9121.226.00F | MOTORE SAIA UDS 5 RPM 120V 60HZ      | RATIOMOTOR SAIA UDS 5RPM 120V 60 | NON UTILISEE PAR LA FRANCE ET LE  | Motor zu Becherwerk 120V / 60Hz  | MOTORE SAIA UDS 5 RPM 120V 60HZ  |
| 25     | NE05.064     | MICROINTERRUTTORE SAIA V4NC          | MICROSWITCH SAIA V4NC            | MICRO CONTACT                     | Mikroschalter Ausgabemotor SG    | MICROINTERRUTTORE SAIA V4NC      |
| 26     | 11000391     | MOTORE SAIA UDS1ND5M75CAN2WZ239      | MOTOR SAIA UDS1ND5M75CAN2WZ239   | MOTEUR SAIA UDS1ND5M75CAN2WZ239   | Motor Turmbewegung 230V/50Hz     | MOTORE SAIA UDS1ND5M75CAN2WZ239  |
| 27     | 11000481     | MOTORE SAIA COLONNA BICCH PERNO      | MOTOR SAIA CUP DISPENSER D6 PIVO | NON UTILISEE PAR LA FRANCE ET LE  | Motor Turmbewegung 120V          | MOTORE SAIA COLONNA BICCH PERNO  |
| 28     | U116.005     | VITE AUT.PT.TCB 3.0X8 WN 1441 ZN     | screw AUT.PT.TCB 3.0X8 WN 1441   | VIS DE FIXATION                   | Schraube 30 x 8                  | VITE AUT.PT.TCB 3.0X8 WN 1441 ZN |
| 29     | U324.005     | DADO M3 FLANGIATO BASE DENTELLAT     | NUT M3 FLANGED INDENTED BASE     | ECROU                             | Mutter M3 mit Flansch            | DADO M3 FLANGIATO BASE DENTELLAT |
| 30     | U212.006     | ROSETTA 3.2X11X0.5 ZNP               | WASHER 3.2X11X0.5 ZNP            | RONDELLE 3.2X11X0.5 ZNP           | Scheible 3.2x11 D= 0,5mm         | ROSETTA 3.2X11X0.5 ZNP           |
| 31     | NF11.002     | FASCETTA AUTOBLOC.W=2.5 L=98 BIA     | SELF LOCK STRIP W=2.5 L=98       | ATTACHE                           | Kabelbinder RTA Art. 5203        | FASCETTA AUTOBLOC.W=2.5 L=98 BIA |
| 32     | 144320200    | FASCETTA AUTOBLOC.W=2.6 L=200 B      | SELF LOCK STRIP W=2.6 L=200      | COLLIER AUTOSERRANT L=200MM       | Kabelbinder J=200mm              | FASCETTA AUTOBLOC.W=2.6 L=200 B  |
| 33     | U109.005     | VITE AUT.TCB 3.5X16 DIN 7981 C N     | screw AUT.TCB 3.5X16 DIN 7981 C  | VIS TCBC3.5X16DIN7981CNK          | Linsen-Blechs. 3.5x16 DIN 7981 N | VITE AUT.TCB 3.5X16 DIN 7981 C N |
| 34     | 1863.066.A20 | CAMMA SGANCIO BICCHIERI              | DISENGAGE CAM GLASSES            | PIGNON MICRO                      | Auslösung Becher                 | CAMMA SGANCIO BICCHIERI          |
| 35     | U201.001     | ROSETTA PIANA 3.2X9 DIN 7349 ZNP     | PLAIN WASHER 3.2X9 DIN 7349 GALV | ROUE DENTEE                       | Scheible 3.2 DIN 7349 verz.      | ROSETTA PIANA 3.2X9 DIN 7349 ZNP |
| 36     | 1813.068.A20 | RUOTA DENTATA FOLLE                  | TOOTHED WHEEL                    | RONDELLE                          | Zahnrad zu Becherspender         | RUOTA DENTATA FOLLE              |
| 37     | 1813.062.A20 | CORPO INFERIORE DISTRIB.BICCHIER UL  | LOWER CASING DISPENSER GLASSES U | CORPS INFERIEUR                   | Gehäuse Becherspender unten      | CORPO INFERIORE DISTRIB.BICCHIER |
| 38     | 1813.308.050 | CORPO INFERIORE DISTRIB.BICCHIERI UL | LOWER CASING DISPENSER GLASSES U | NON UTILISEE PAR LA FRANCE ET BE  | Gehäuse Becherspender unten UL V | CORPO INFERIORE DISTRIB.BICCHIER |
| 39     | 11003955     | ASS.CORPO DISTRIB.BICCHIERI FS40     | FS400 UL ASSEMBL CUP DISP. GROUP | CORPS DISTRIBUTION GOBELET FS400  | Becherspender kplt. 230V/50Hz    | ASS.CORPO DISTRIB.BICCHIERI FS40 |
| 40     | 9110.151.A2A | ANELLO BLOCCAGGIO CHIOCCIOLE FAS     | RETAINING RING                   | COURONNE DE BLOCAJE               | HALTEKRANZ ZAHNRÄDER             | ANELLO BLOCCAGGIO CHIOCCIOLE FAS |
| 41     | 11000786     | CHIOCCIOLA X BICCHIERI D.70          | SNAIL FOR GLASSES D.70           | GALET GOBELETTEUSE D.70           | SATELLIT FÜR BECHER D=70MM       | CHIOCCIOLA X BICCHIERI D.70      |
| 42     | 1813.072.A20 | RUOTA DENTATA X CHIOCCIOLE           | TOOTHED WHEEL FOR SNAIL          | ROUE DENTEE                       | ZAHNRADKLANZ BECHERAUSGABE       | RUOTA DENTATA X CHIOCCIOLE       |
| 43     | 1813.073.A20 | SUPPORTO CHIOCCIOLE FASATO           | SNAIL SUPPORT                    | SUPPORT GALET                     | AUFNAHME ZAHNRÄDER               | SUPPORTO CHIOCCIOLE FASATO       |
| 44     | 11000833     | RUOTA DENTATA MOVIMENTO MANUALE      | TOOTHED WHEEL                    | ROUE DENTEE                       | ZAHNRAD MOTOR BECHERAUSGABE      | RUOTA DENTATA MOVIMENTO MANUALE  |
| 45     | 1813.074.A20 | ASS.SUPPORTO CHIOCCIOLE FASATO       | ASS.SNAIL SUPPORT                | ENS SUPPORT GOBELETTEUSE          | Becherwerk kplt.d=70             | ASS.SUPPORTO CHIOCCIOLE FASATO   |
| 46     | 11000835     | ASS.SUPPORTO CHIOCCIOLE FASATO D     | ASSSEMBLY SUPPORT                | NON UTILISEE PAR LA FRANCE ET BE  | Becherwerk kplt.d=73             | ASS.SUPPORTO CHIOCCIOLE FASATO D |



NOTE

solo UL

solo UL

Cristallo 400

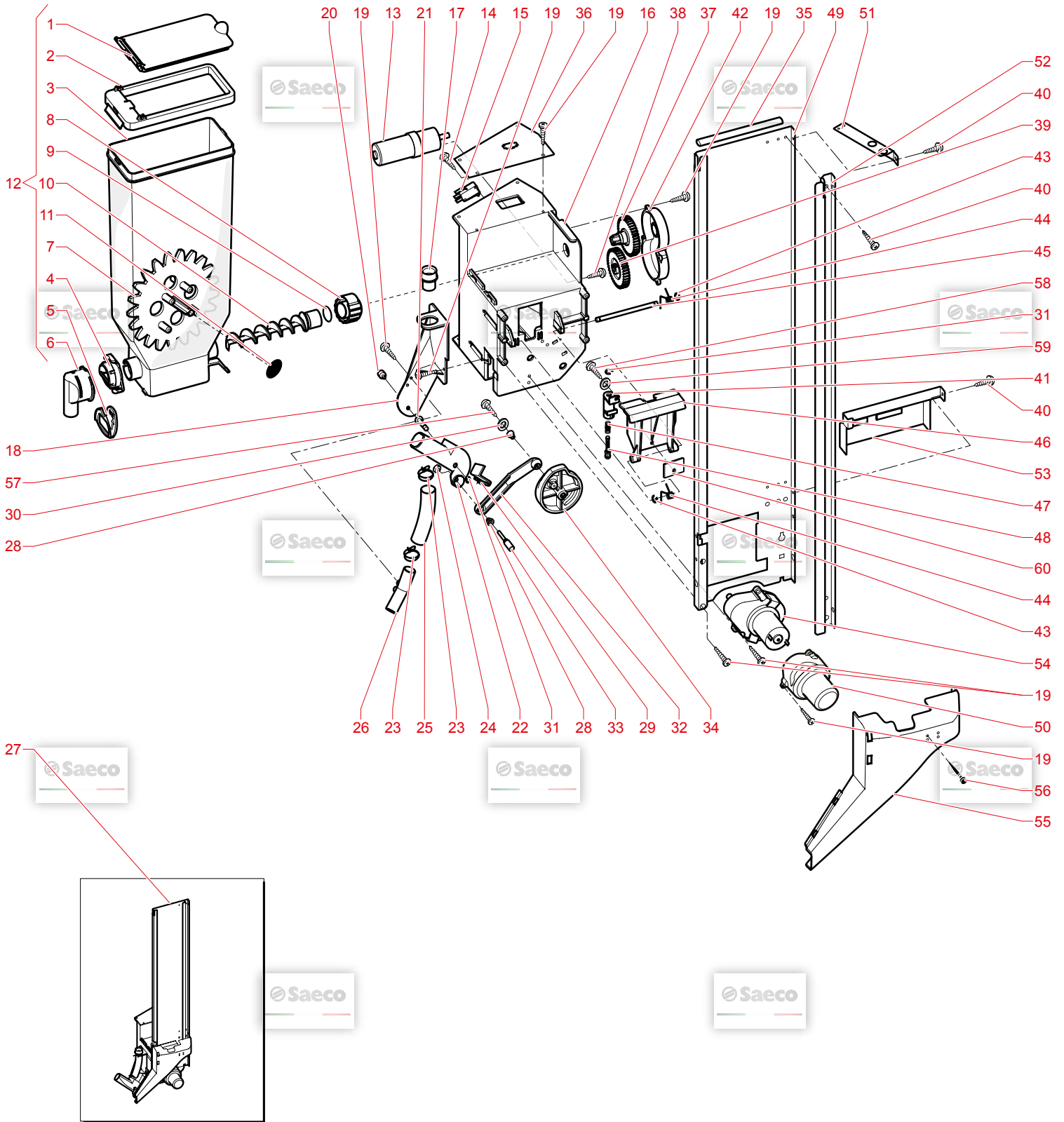
14/01/2019

10

E018.063

GAGGIO MONTANO

© by Saeco, a company of Evoca Group



| N.POSI | COD          | I - DESCRIZIONE                   | UK - DESCRIPTION                  | F - DESCRIPTION                   | D - BEZEICHNUNG                  | E - DESCRIPCION                   |
|--------|--------------|-----------------------------------|-----------------------------------|-----------------------------------|----------------------------------|-----------------------------------|
| 1      | 9111.683     | COPERCHIETTO SOLUBILI             | SOLUBLE COVER                     | COUVERCLE SOLUBLE                 | Produktbehälterdeckel            | COPERCHIETTO SOLUBILI             |
| 2      | 9111.686     | COPERCHIO CONTENITORE ZUCCHERO    | COVER SUGAR CONTAINER             | COUVERGLE BACA A SUCRE            | Deckel z. Zuckerbehälter         | COPERCHIO CONTENITORE ZUCCHERO    |
| 3      | 9111.685     | CONTENITORE ZUCCHERO              | SUGAR CONTAINER                   | BAC A SUCRE                       | GRUNDTRÄGER ZUCKERBEHÄLTER       | CONTENITORE ZUCCHERO              |
| 4      | 9111.630.060 | BOCCOLA X SERBATI POLVERI C/AGGAN | BUSH FOR POWDERS TANK             | BAGUE EMBOUT POU DRE              | Hülse für Produktbehälter        | BOCCOLA X SERBATI POLVERI C/AGGAN |
| 5      | 9111.338.270 | PARATIA CHIUSURA BOCCHETTA ARANC  | BULKHEAD FOR APERT. CLOSURE ORAN  | VOLET FERMETURE ORANGE            | Verschluss für Stutzen, orange   | PARATIA CHIUSURA BOCCHETTA ARANC  |
| 6      | 11032878     | BOCCHETTA X TRAMOGGIA X AGGANCI   | Aperture for solubles hopper      | EMBOUIT POU DRE                   | Stutzen braun für Pulvertrichter | BOCCHETTA X TRAMOGGIA X AGGANCI   |
| 7      | 11032878     | RUOTA CONTENITORE ZUCCH BPA FREE  | CONTAINER WHEEL SUGAR BPA FREE    | ROUE BAC SUCRE                    | FÖRERRAD ZUCKER                  | RUOTA CONTENITORE ZUCCH BPA FREE  |
| 8      | 11012130     | BOCCOLA POSTERIORE RINFORZATA     | BACK BUSH REINFORCE               | DOUILLE RENFORCEE                 | Anschlußflansch hinten verstärkt | BOCCOLA POSTERIORE RINFORZATA     |
| 9      | NM03.013     | OR 2,3X15 NBR                     | OR 2,3X15 NBR                     | JOINT T2,3 D 15 NBR               | O-Ring Verschluss 2,3x15 P7 NBR  | OR 2,3X15 NBR                     |
| 10     | 9111.726     | COCLEA CONTENITORE ZUCCHERO       | SCROLL SCREW SUGAR CONTAINER      | VIS SANS FIN                      | Schnecke Zuckerbehälter          | COCLEA CONTENITORE ZUCCHERO       |
| 11     | 9111.646     | ADESIVO X SERBATOIO               | ADHESIVE FOR TANK                 | ADHESIF FOUR BAC                  | Aufkleber zu Produktbehälter     | ADESIVO X SERBATOIO               |
| 12     | 9110.137     | ASS.CONTENITORE ZUCCHERO          | SUGAR RATIO MOTOR 24V DC          | BAC SUCRE COMPLET C400            | Zuckerbehälter kpl. Cristallo    | ASS.CONTENITORE ZUCCHERO          |
| 13     | 9121.106.00P | MOTORIDUTTORE ZUCCHERO 24V D.C.   | SUGAR RATIO MOTOR 24V DC          | MOTEUR SUCRE DA10P 24V DC         | Motor Zuckerförderung 24V Gleich | MOTORIDUTTORE ZUCCHERO 24V D.C.   |
| 14     | U110.007     | VITE AUT.T.CB 2,9X16 DIN 7981 F Z | SCREW AUT.T.CB 2,9X16 DIN 7981 F  | VIS AUT.T.CB 2,9X16 DIN 7981 F ZN | Linsen-Blechs. 2,9x16 DIN 7981-F | VITE AUT.T.CB 2,9X16 DIN 7981 F Z |
| 15     | NE05.002     | MICROINTERRUTTORE                 | MICRO SWITCH                      | MICRO MOTEUR REDUC.D.ASP          | Microschalter 3-polig P7/P8/P10  | MICROINTERRUTTORE                 |
| 16     | 11033196     | SUPP.PALETTIERA 9111.684.A20 LAV  | SUPPORT STIRRER                   | SUPPORT PALETTE                   | Support Rührstäbchenspender      | SUPP.PALETTIERA 9111.684.A20 LAV  |
| 17     | 9111.684.A20 | BOCCHETTA TUBO ZUCCHERO           | APERTURE SUGAR TUBE               | EMBOUIT DE TUBE SUCRE             | Support Rührstäbchenspender      | BOCCHETTA TUBO ZUCCHERO           |
| 18     | 9111.686.A20 | SUPPORTO BASCULINA ZUCCHERO       | SUPPORT SUGAR CONVEYER            | SUPPORT DE BASCULE                | Support Zuckerklappe             | SUPPORTO BASCULINA ZUCCHERO       |
| 19     | U116.006     | VITE AUT.PT TCB 3,5X12 WN 1441 Z  | SCREW AUT.PT TCB 3,5X12 WN 1441   | VIS AUT.PT TCB 3,5X12             | Linsen-Schraube 3,5x12 WN1441ZNP | VITE AUT.PT TCB 3,5X12 WN 1441 Z  |
| 20     | 11000388     | POMELLO M 3 BASCULINA ZUCCHERO    | KNOB M3 SUGAR CONVEYER            | BOUTTON DE BASCULE SUCRE          | Drehknopf M3                     | POMELLO M 3 BASCULINA ZUCCHERO    |
| 21     | 11000389     | PERNO ZIGRNATO BASCULINA ZUCCHE   | GRAINED PIVOT SUGAR COVEYER       | PIVOT LEVIER SUCRE                | Bolzen zu Zuckerklappe           | PERNO ZIGRNATO BASCULINA ZUCCHE   |
| 22     | 9111.690     | BASCULINA ZUCCHERO                | SUGAR CONVEYER                    | BEG SUCRE                         | Zuckerklappe Cristallo           | BASCULINA ZUCCHERO                |
| 23     | 9111.553     | MOLLA AUTOSERRANTE X TUBO D.22    | SELF-ENERGIZING SPRING FOR TUBE   | COLLIER AUTOSERRANT D.22          | Klemmfeder für Schlauch D. 22    | MOLLA AUTOSERRANTE X TUBO D.22    |
| 24     | 123160302    | DADO M3 ALTO UNI 5587 ZINCATO     | NUT M3 HIGH UNI 5587 GALVANIZED   | ECROU M3 HIGH UNI 5587 GALVANIZE  | Mutter M3 UNI 5587               | DADO M3 ALTO UNI 5587 ZINCATO     |
| 25     | 9111.700     | TUBO ZUCCHERO                     | SUGAR TUBE                        | TUBE SUCRE                        | Zuckerlauf                       | TUBO ZUCCHERO                     |
| 26     | 9111.697     | RACCORDO TUBO ZUCCHERO            | CONNECTOR SUGAR TUBE              | RACCORD TUBE SUCRE                | Schlauchanschluß Zucker Cristall | RACCORDO TUBO ZUCCHERO            |
| 27     | 11013180     | ASS.DISTR.PALETTE/ZUCCH.CRIST400  | ASSEMBLY SUGAR/SPOONS DISPENSER   | ENSEMBLE DISTRIB.PALETTE/SUCRE12  | ASS.DISTR.PALETTE/ZUCCH.CRIST400 | ASS.DISTR.PALETTE/ZUCCHERO 25R    |
| 28     | 11033213     | ASS.DISTRIB.PALETTE/ZUCCHERO 25R  | DISPENSER STIRRER /SUGAR 25RPM    | DISTRIBUTEUR PALETTE/SUCRE C400   | Rührstäbchenspender kpl. 230V/   | ASS.DISTRIB.PALETTE/ZUCCHERO      |
| 29     | 9111.138     | ASS.DISTRIB.PALETTE/ZUCCHERO      | DISTRIB.ASS. STIRRER /SUGAR       | AXE SPHERIQUE                     | Kugelbolzen                      | ASS.DISTRIB.PALETTE/ZUCCHERO      |
| 30     | 9111.727     | PERNO SFERICO                     | SPHERICAL PIN                     | AXE SPHERIQUE                     | Kugelbolzen                      | PERNO SFERICO                     |
| 31     | U201.001     | PARATIA BASCULINA ZUCCHERO        | BULKHEAD SUGAR CONVEYER           | BEG SUCRE                         | Führung Zuckerklappe             | PARATIA BASCULINA ZUCCHERO        |
| 32     | U201.011     | ROSETTA PIANA 3,2X9 DIN 7349 ZNP  | PLAIN WASHER 3,2X9 DIN 7349 GALV  | RONDELLE                          | Scheibe 3,2 DIN 7349 verz.       | ROSETTA PIANA 3,2X9 DIN 7349 ZNP  |
| 33     | 9111.691     | ANELLO ELASTICO 5 UNI 7434 ACC.   | STEEL SNAP RING 5 UNI 7434        | ANNEAU                            | Sicherungsring ø5 elastisch      | ANELLO ELASTICO 5 UNI 7434 ACC.   |
| 34     | 11004295     | BIELLA DISTRIBUTORE ZUCCHERO      | CONNECTING ROD SUGAR DISPENSER    | BIELLE DISTRIBUTION SUCRE         | Pleuel Zuckerverteiler           | BIELLA DISTRIBUTORE ZUCCHERO      |
| 35     | 9111.688.A20 | POMELLO BLOCCAGGIO BIELLA TUBO Z  | KNOB FOR SUGAR CONNECTING ROD PI  | CAMME DISTRIBUTEUR DE SUCRE       | Nockenpleuel zu Zuckerschlauch   | POMELLO BLOCCAGGIO BIELLA TUBO Z  |
| 36     | 9111.688     | CAMMA DISTRIBUTORE ZUCCHERO       | CAM SUGAR DISPENSER               | CAMME DISTRIBUTEUR DE SUCRE       | Nockenwelle Zuckerspender        | CAMMA DISTRIBUTORE ZUCCHERO       |
| 37     | 9111.668     | CONTRAPESO PALETTE D.10           | STIRRER DISP.COUNTERWEIGHT D.10   | CONTREPOIDS PALETTE D.10 L.90     | Gegengewicht für Rührstäbchen L= | CONTRAPESO PALETTE D.10           |
| 38     | 9111.669     | CONTRAPESO PALETTE D.10 L.103MM   | STIRRER DISP.COUNTERWEIGHT D.10   | CONTREPOIDS PALETTE D.10 L.103MM  | Rührstäbchengewicht ø10mm, 103mm | CONTRAPESO PALETTE D.10 L.103MM   |
| 39     | 9111.745     | CONTRAPESO PALETTE L=113MM        | STIRRER DISP.COUNTERWEIGHT        | CONTRE POIDS DE PALETTE L=113MM   | GEGENGEWICHT RÜHRSTÄBCHENS. 113  | CONTRAPESO PALETTE L=113MM        |
| 40     | 9111.707     | PIASTRA RINFORZO PALETTIERA       | REINFORCING PLATE                 | PLAQUE DE RENFORT                 | Verstärkung Rührstäbchensp.      | PIASTRA RINFORZO PALETTIERA       |
| 41     | 9111.694     | GIUNTO CON INGRANAGGIO            | JOINT WITH GEAR                   | ENGRENAGE BAC SUCRE               | Zahnrad oben Zuckermotor Cristal | GIUNTO CON INGRANAGGIO            |
| 42     | U116.005     | VITE AUT.PT TCB 3,0X8 WN 1441 ZN  | screw AUT.PT TCB 3,0X8 WN 1441    | VIS DE FIXATION                   | Schraube 3,0 x 8                 | VITE AUT.PT TCB 3,0X8 WN 1441 ZN  |
| 43     | 9111.695     | INGRANAGGIO Z 40                  | GEAR Z40                          | ENGRENAGE Z40                     | Zahnrad z=40                     | INGRANAGGIO Z 40                  |
| 44     | U110.004     | VITE AUT.T.CB 3,5X6,5 DIN 7981 F  | screw AUT.T.CB 3,5X6,5 DIN 7981 F | VIS AUT.T.CB 3,5X6,5 DIN 7981 F   | Schraube 3,5x6,5 DIN7981F        | VITE AUT.T.CB 3,5X6,5 DIN 7981 F  |
| 45     | 9111.737     | SUPPORTO PUNTALE                  | SUPPORT                           | SUPPORT                           | Support Zwinge                   | SUPPORTO PUNTALE                  |
| 46     | 9111.687.A20 | COPERCHIO INGRANAGGI              | GEAR COVER                        | CARTER ENGRENAGE                  | Abdeckung Zahnrad                | COPERCHIO INGRANAGGI              |
| 47     | U701.006     | ANELLO ELASTICO 3,2 UNI 7434      | SNAP RING 3,2 UNI 7434            | ANNEAU ELASTIQUE                  | Sicherungsring ø3,2 elastisch    | ANELLO ELASTICO 3,2 UNI 7434      |
| 48     | 9111.730     | MOLLA ESPULSORE PALETTE           | SPRING                            | RESSORT                           | Feder Rührstäbchenauswerfer      | MOLLA ESPULSORE PALETTE           |
| 49     | 9111.376     | PERNO X ESPULSORE PALETTE         | PIN FOR STIRRER EXPELLER          | AXE EXPULSION PALETTE             | Bolzen zu Rührstäbchenauswerfer  | PERNO X ESPULSORE PALETTE         |
| 50     | 11011240     | ESPULSORE PALETTE NERO NEW        | STIRRER EXPELLER BLACK NEW        | EXPULSEUR PALETTES                | Rührstäbchenauswerfer            | ESPULSORE PALETTE NERO NEW        |
| 51     | 1031341      | MOLLA X PALETTIERA                | SPRING                            | RESSORT PALETTE                   | Stützfeder                       | MOLLA X PALETTIERA                |
| 52     | 11002209     | PUNTALE                           | PIN                               | CLAVETTE                          | Kappe                            | PUNTALE                           |
| 53     | U11009886    | GUIDA PALETTE CRISTALLO400 NEW    | STIRRER GUIDE CRISTALLO400 NEW    | GUIDE PALETTE CRISTALLO400 NEW    | Träger für Rührstäbchen          | GUIDA PALETTE CRISTALLO400 NEW    |
| 54     | 11025411     | COPERCHIO X MOTORE PALETTE CRIST  | BRACKET SPOON'S MOTOR COVER       | SUPPORT MOTEUR                    | Abdeckung Zuckermotor            | COPERCHIO X MOTORE PALETTE CRIST  |
| 55     | 9111.706     | STAFFA GUIDA PALETTE              | BRACKET FOR STIRRER GUIDE         | LEVIER DE GUIDE                   | Sleg zu Rührstäbchenführung      | STAFFA GUIDA PALETTE              |
| 56     | 9111.693     | GUIDA PALETTE REGOLABILE          | STIRRER GUIDE                     | GUIDE PALETTE                     | Rührstäbchenführung einstellbar  | GUIDA PALETTE REGOLABILE          |
| 57     | 9111.739     | CARTER ESPULSIONE PALETTE         | CARTER STIRRER EXPULSION          | CARTER EXPULSION PALETTE          | Abdeckung Rührstäbchenauswerfer  | MOTORIDUTTORE FIBER 37RPM         |
| 58     | 11025284     | MOTORIDUTTORE FIBER 37RPM         | MOTORIDUTTORE FIBER 37RPM         | MOTOREDUCTEUR 37RPM R150          | Getriebemotor FIBER 37 RPM       | MOTORIDUTTORE FIBER 37RPM         |
| 59     | 11033191     | MOTORIDUTTORE MECHTEX 25 RPM      | GEAR MOTOR MECHTEX 25 RPM         | MOTEUR POU DRE MECHTEX 25 RPM     | Getriebemotor MECHTEX 25 RPM     | MOTORIDUTTORE MECHTEX 25 RPM      |
| 60     | 9121.107.00P | MOTORIDUTTORE PALETTE FIBER       | STIRRER RATIO MOTOR FIBER         | MOTEUR PALETTE ET BRAS NEW 24V R  | Rührstäbchenmotor 24V P10        | MOTORIDUTTORE PALETTE FIBER       |
| 61     | 9111.698.A20 | SCIVOLO PALETTE                   | STIRRER SLIDE                     | GUIDE PALETTE                     | Zuckerrutsche                    | SCIVOLO PALETTE                   |
| 62     | 9161.082     | AGGANCIO IN GOMMA                 | RUBBER COUPLER                    | FIXATION CAOUTCHOUC               | Gummikupplung                    | AGGANCIO IN GOMMA                 |
| 63     | U116.004     | VITE AUT.PT TCB 3,0X16 WN 1441 Z  | screw AUT.PT TCB 3,0X16 WN 1441   | VIS TCB 3X16                      | Spax-Schraube 3x16 DIN 7981 verz | VITE AUT.PT TCB 3,0X16 WN 1441 Z  |
| 64     | U1107.003    | VITE AUT.PT TCB 2,5X10 WN 1442 Z  | screw AUT.PT TCB 2,5X10 WN 1442   | VIS AUT.PT TCB 2,5X10 WN1442      | Linsen-Schraube 2,5x10 WN 1442   | VITE AUT.PT TCB 2,5X10 WN 1442 Z  |
| 65     | U207.003     | ROSETTA PIANA 3,2X7 UNI 6592 ZNP  | PLAIN WASHER 3,2X7 UNI 6592 GALV  | RONDELLE 3,2X7 UNI 6592 ZNP       | Scheibe A3,2 DIN 125 verz.       | ROSETTA PIANA 3,2X7 UNI 6592 ZNP  |
| 66     | 11025089     | PIASTRINA RINFORZO ESPULSORE      | PLATE REINFORCEMENT               | PLAQUE DE RENFORT                 | Verstärkungsplättchen            | PIASTRINA RINFORZO ESPULSORE      |



da matr. 9015FS40028814  
fino mat. 9015FS40028813

fino mat. 9015FS40028813  
da matr. 9015FS40028814  
fino mat. 9015FS40028813

SN 9011FS40018651>9011FS40028  
da matr. 9015FS40028814  
fino mat. 9011FS40018650

solo pal. 90

Cristallo 400

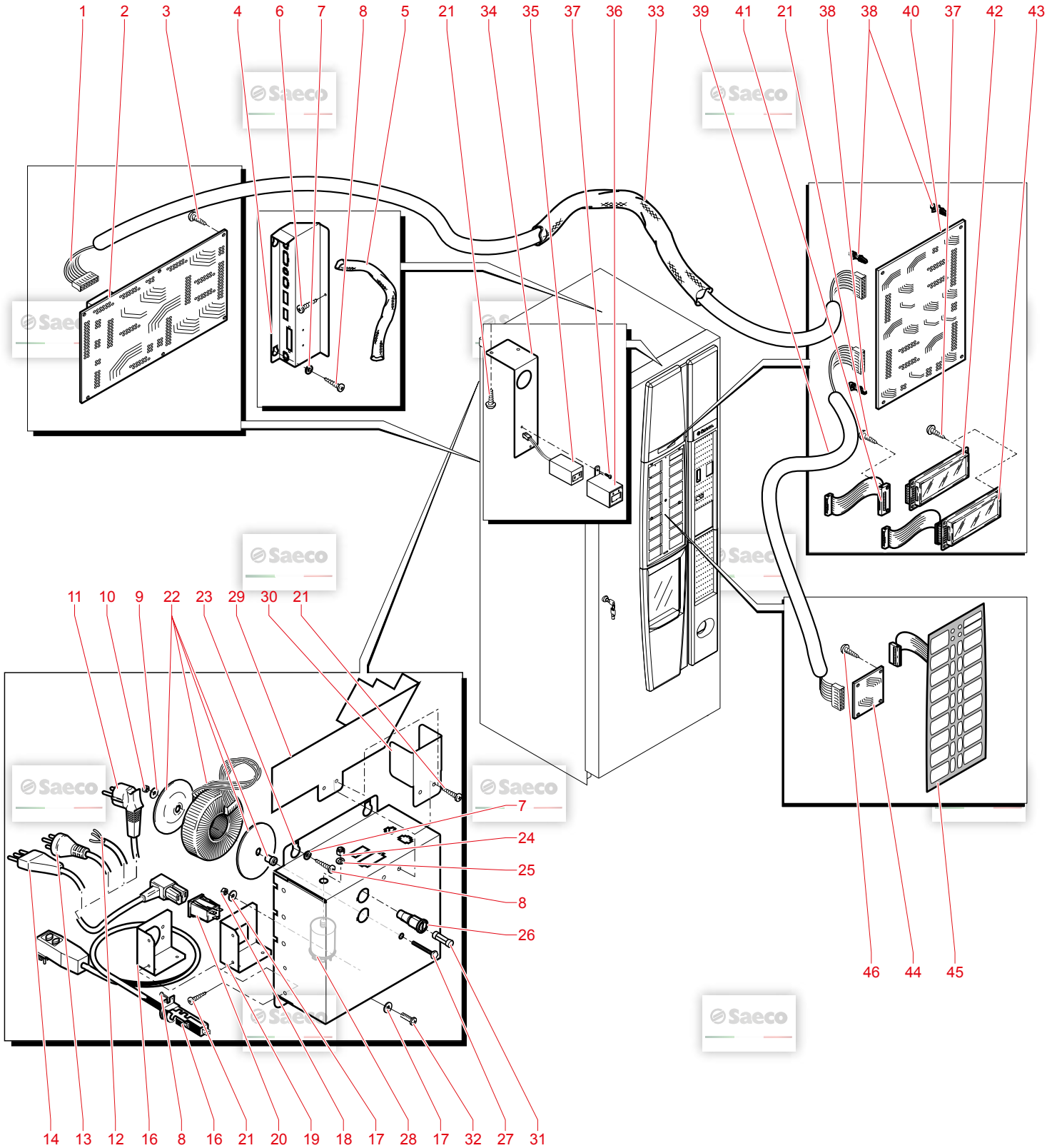
14/01/2019

11

E018.063

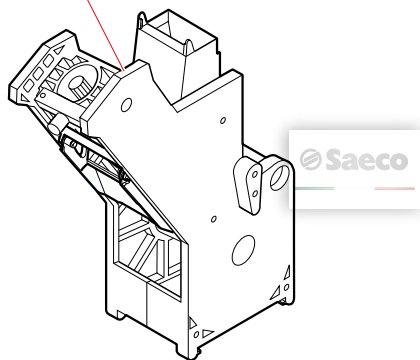
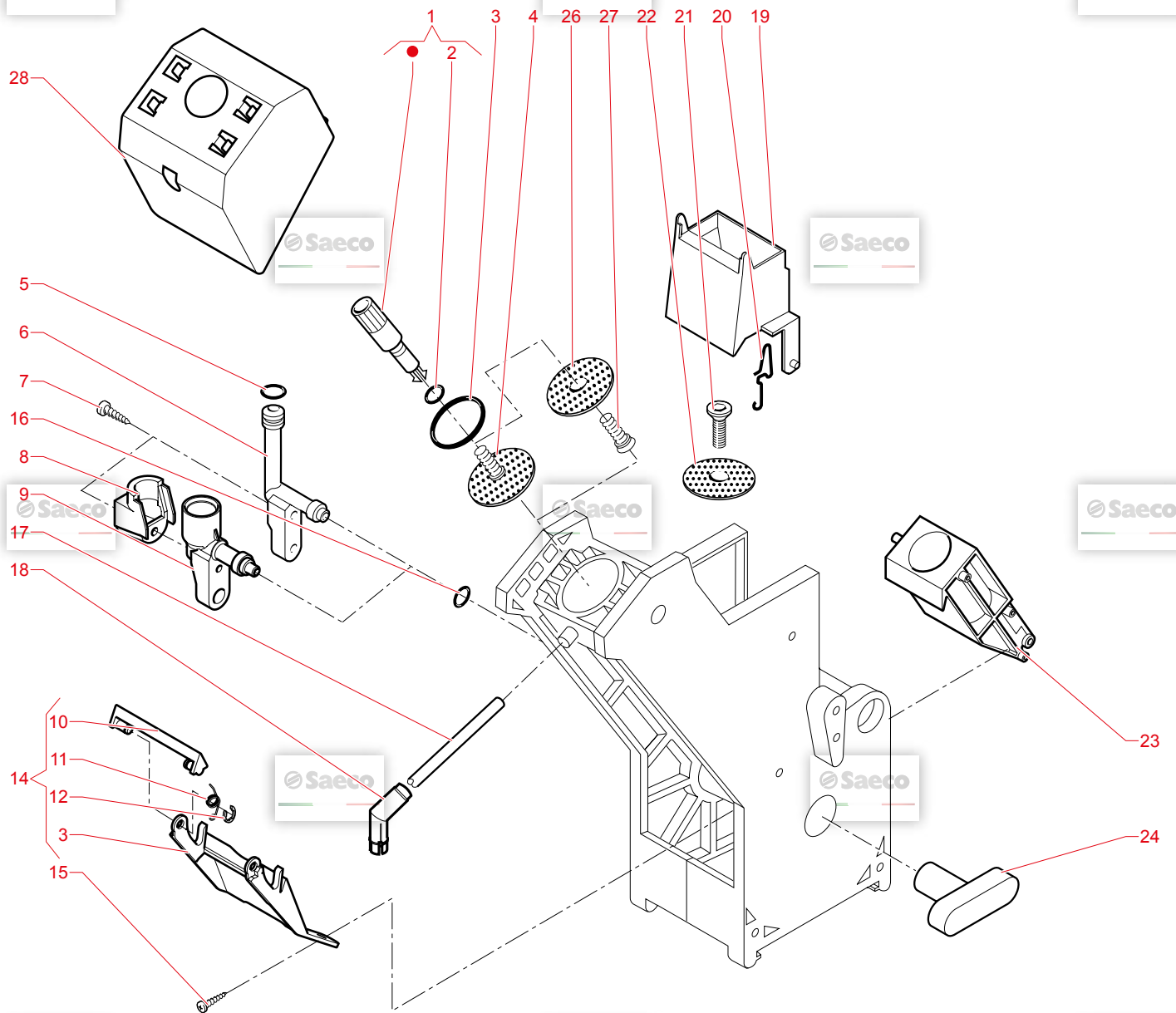
GAGGIO MONTANO

© by Saeco, a company of Evoca Group

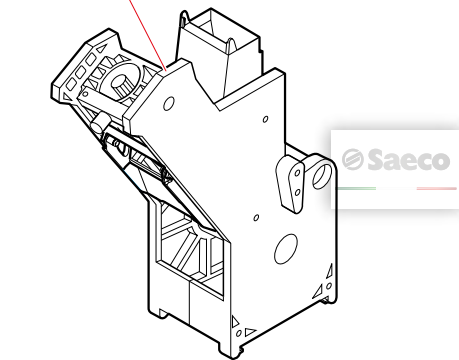
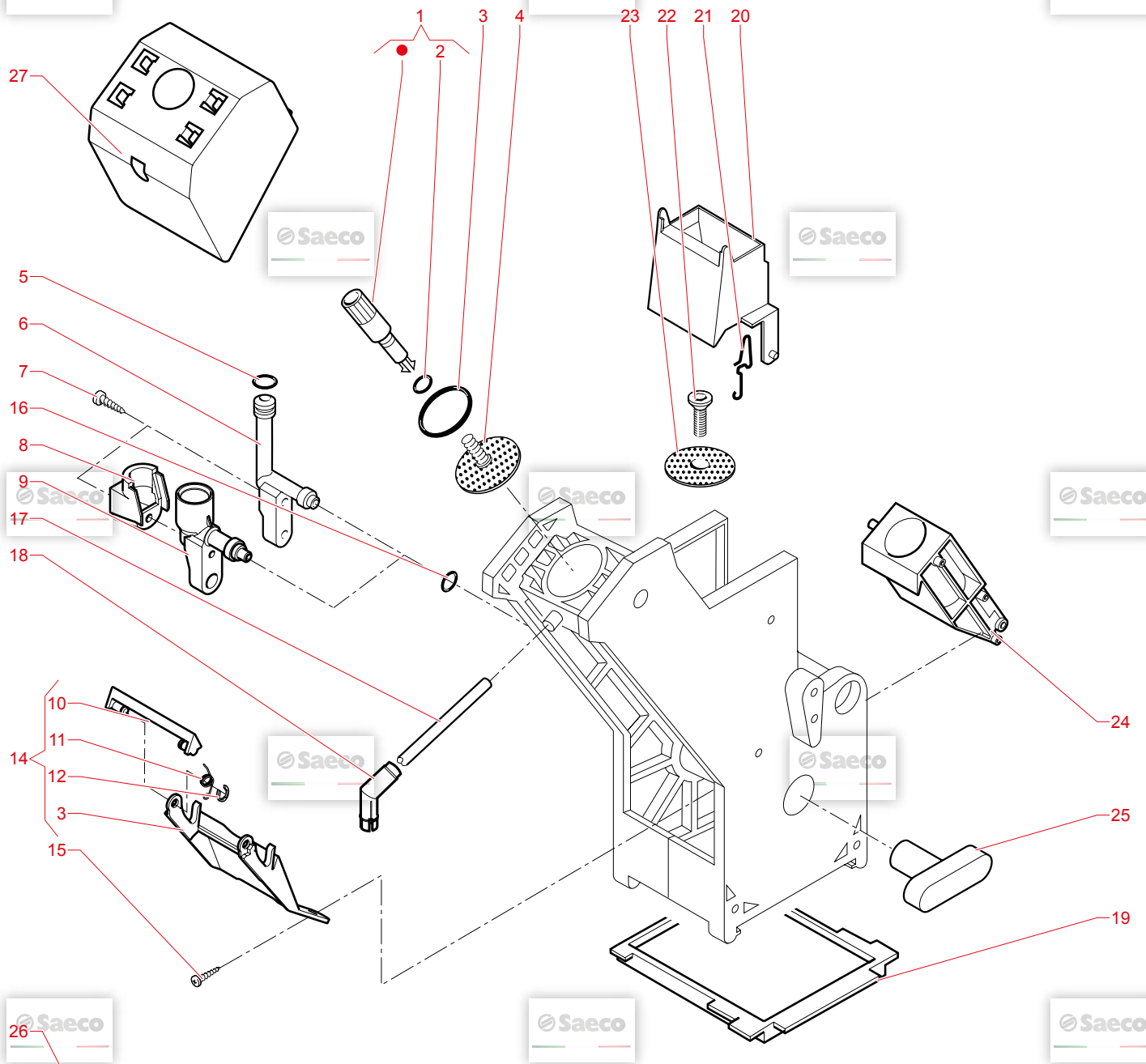




| N.POSI | COD          | I - DESCRIZIONE                    | UK - DESCRIPTION                  | F - DESCRIPTION                   | D - BEZEICHNUNG                         | E - DESCRIPCION                    | NOTE  |
|--------|--------------|------------------------------------|-----------------------------------|-----------------------------------|---|------------------------------------|---|
| 1      | 1863.603     | FLAT CABLE PROLUNGA CPU/IO         | FLAT CABLE                        | CABLE INTERCONEXION CPU/PU/ISSAN  | Flachbandkabel                          | FLAT CABLE PROLUNGA CPU/IO         |   |
| 2      | 1863.636     | SCHEDA POWER FS400                 | POWER CARD FS400                  | PLATINE PUISSANCE FS400/600       | Leistungsplatine FS400                  | SCHEDA POWER FS400                 |   |
| 3      | U116.006     | VITE AUT.PT TCB 3,5X12 WN 1441 Z   | SCREW AUT.PT TCB 3,5X12 WN 1441   | VIS AUT.PT TCB 3,5X12             | Linse-Schraube 3,5x12 WN1441ZNP         | VITE AUT.PT TCB 3,5X12 WN 1441 Z   |   |
| 4      | 1863.070     | SCATOLA X CONNETTORI               | BOX                               | BOITE                             | Verkaufskarton                          |                                    |   |
| 5      | 11001619     | GUAINA X CAVI L.520 mm             | CABLE TUBE L.520 mm               | GAINE L=520 mm                    | Schutzmantel z. Schlauch L=520          | GUAINA X CAVI L.520 mm             |   |
| 6      | U109.003     | VITE AUT.TCB 3,5X9,5 DIN 7981 C    | SCREW TCB 3,5X9,5 DIN 7981 C NIC  | VIS TCB3,5X9,5DIN7981CNIK         | Linse-Blechsch. 3,5x9,5 DIN 7981        | VITE AUT.TCB 3,5X9,5 DIN 7981 C    |   |
| 7      | 11011054     | PERNO X BORCHIA D.8 POM            | PIN FOR BOSS D.8                  | ENTRETOISE D.8                    | Linse-BOSS D.8                          | PERNO X BORCHIA D.8 POM            |   |
| 8      | U110.005     | VITE AUT.TCB 3,9X9,5 DIN 7981 F    | screw AUT.TCB 3,9X9,5 DIN 7981 F  | VIS AUT.TCB 3,9X9,5 DIN 7981 F    | Linse-Blechschraube 3,9x9,5 DIN         | VITE AUT.TCB 3,9X9,5 DIN 7981 F    |   |
| 9      | U207.013     | ROSETTA PIANA 6,5X18 UNI 6592 ZN   | PLAIN WASHER 6,5X18 UNI 6592 GAL  | RONDELLE 6,5X18 UNI 6592 GALV     | Unterlegscheibe 6,5x18 DIN 125 v        | ROSETTA PIANA 6,5X18 UNI 6592 ZN   |   |
| 10     | U310.004     | DADO AUTOBLOC.M6 UNI 7473 ZNP      | nut SELF LOCK.M6 UNI 7473         | ECROU AUTOBLOC.M6 UNI 7473 ZNP    | Sechskantmutter M6 DIN 985 verz.        | DADO AUTOBLOC.M6 UNI 7473 ZNP      |   |
| 11     | U101.050     | CAVO SCHUKO CON SPINA EN60320 C1   | CABLE SCHUKO WITH PLUG EN60320 C  | CORDON ALIMENTATION               | Anschlusskabel ohne Stecker             | CAVO SCHUKO CON SPINA EN60320 C1   |   |
| 12     | NE01.053     | CAVO CON SPINA EN60320 C13         | CABLE WITH PLUG EN60320 C13       | CABLE AVEC PRISE EN60320 C13      | Anschlusskabel Schweiz                  |                                    |   |
| 13     | NE01.053     | CAVO AUSTRAL. CON SPINA EN60320 C  | CABLE AUSTRAL. +PLUG EN60320 C13  | CABLE AUSTRAL. +PRISE EN60320 C13 | Anschlusskabel Australien               |                                    |   |
| 14     | NE01.093     | CAVO AL.ARGENTO.SPINA EN60320 C    | CABLE ARGENTINA + PLUG EN60320 C  | CABLE ARGENTINA + PLUG EN60320 C  | Anschlusskabel Argentinien              |                                    |   |
| 15     | 178000119    | CAVO AL.BRA.3X1 10AV2 NER.L=120    | BLACK POWER CABLE BRUZIL L=1200   | NON UTILISEE PAR LA FRANCE ET LE  | Kabel 3X1 10AV2 NER.L=1200              | BLACK POWER CABLE BRAZIL L=1200    |   |
| 16     | U102.051     | CAVO SVIZZERA CON SPINA EN60320    | CABLE SWITZERLAND WITH PLUG EN60  | CABLE FOUR LA SUISSE EN603        | Anschlusskabel Schweiz                  |                                    |   |
| 17     | U1008469     | CAVO ALIMENTAZIONE USA X SCAT.PA   | USA CABLE SUPPORT ELECTRONIC PAR  | SUPPORT BOITE (USA)               | Kabelsupport US Version                 |                                    |   |
| 18     | U208.003     | ROSETTA DENT. 5,1X9 BRU            | TOOTHED WASHER 5,1X9 BRU          | RONDELLE 5,1X9,9 BRU              | Zahnscheibe 05,1x9                      | ROSETTA DENT. 5,1X9 BRU            |   |
| 19     | U302.003     | DADO ESAGONALE M4 UNI 5589 ZN      | GALV.NUT HEXAGONAL M4 UNI 5589 Z  | ECROU HEXAGONAL M4 UNI 5589 ZN    | Mutter M4 UNI 5589 ZN                   | DADO ESAGONALE M4 UNI 5589 ZN      |   |
| 20     | 11000546     | SQUADRETTA X PRESA VASCHETTA       | POWER CONNECTOR SUPPORT           | SUPPORT DE SOCLE                  | Winkel zu Steckdose                     |                                    |   |
| 21     | 187850400    | PRESA AUTOBLOC.TRIPOLO OCS LAVA    | TRIPLOE SOCKET SELF-LOCKING       | SOCLE DE PRISE                    | Stecker OCS                             |                                    |   |
| 22     | NE19.023     | TRASFOR. TOROIDALE COMBI 240V/120V | TOROIDAL TRANSFORMER COMBI 240V   | NON UTILISEE PAR LA FRANCE ET BE  | Ringtransformatör UL Version            | PRESA AUTOBLOC.TRIPOLO OCS LAVA    |   |
| 23     | NE19.028     | TRASFORMATORE TOROIDALE FS 400     | TOROIDAL TRANSFORMER FS 400       | SUPPORT FOR MIXER                 | Ringtransformatör 230V                  | TRASFOR. TOROIDALE COMBI 240V/120V |   |
| 24     | 1863.045     | CARTER ALIMENTAZIONE               | ASPIRATION CASING FOR MIXER       | ASPIRATION CASING FOR MIXER       | Saugkammer M8 DIN 934 verz.             | TRASFORMATORE TOROIDALE FS 400     |   |
| 25     | U302.007     | DADO ESAGONALE M8 UNI 5588 ZNP     | nut HEXAGONAL M8 UNI 5588         | ECROU HEXAGONAL M8 UNI 5588       | Sechskantmutter M8 DIN 934 verz.        | DADO ESAGONALE M8 UNI 5588 ZNP     |   |
| 26     | U208.009     | ROSETTA DENT. 8,4X15 UNI 3703 BR   | TOOTHED WASHER 8,4X15 UNI 3703    | RONDELLE DENT. 8,4X15 UNI 3703 B  | Fächerscheibe A8,4 DIN 6798 brün        | ROSETTA DENT. 8,4X15 UNI 3703 BR   |   |
| 27     | U005.013     | PORTAFUSIBILE CON TAPPO A VITE     | FUSE HOLDER WITH SCREW ON CAP     | PORTIE FUSIBLES                   | Sicherungshalter                        | PORTAFUSIBILE CON TAPPO A VITE     |   |
| 28     | 12001353     | FILTRO ANTIDIST.BLOC.VITE 16A      | screw TE M6,0X70 UNI 5739 GALV.   | VIS TE M6,0X70 UNI 5739 GALV.     | Schraube M6x70 DIN 933 verz.            | FILTRO ANTIDIST.BLOC.VITE 16A      |   |
| 29     | 11008600     | CARTER CABLAGGIO UL CRISTALLO400   | LOCKING SCREW ANTIDISTURB FILTER  | FILTRE ANTI PARASITE 16A          | Entstörfilter 16A                       |                                    |   |
| 30     | 11033867     | PIASTRA SICUREZZA X CONNET.SCAT.   | SAFETY PLATE FOR EL.BOX CONNECTO  | EQUERRE DE PROTECTION             | Abdeckung elektrischer Anschluss        |                                    |   |
| 31     | NE13.002     | FUSIBILE 6,3X32 8A 250V RITARDAT   | FUSE 6,3X32 8A 250V DELAYED UL    | FUSIBLE 6,3X3,2 8A 250V           | Sicherung Glasrohr 8A 250V              | FUSIBILE 6,3X32 8A 250V RITARDAT   |   |
| 32     | NE13.081     | FUSE F.GSA15-R 6,3X32 15A 250V R   | FUSE 6,3X32 16A 250V DELAYED UL   | NON UTILISEE PAR LA FRANCE ET LE  | Feisicherung 6,3x32 15A 250V            | FUSE F.GSA15-R 6,3X32 15A 250V R   |   |
| 33     | 11003521     | VITE TCB.D M4X12 ZN-B              | SCREW TCB.D TORX 20 M4X12 ZN-B    | VIS TCB.D M4X12 ZN-B              | Schraube 3,5x48x28 TORX                 | VITE TCB.D M4X12 ZN-B              |   |
| 34     | 1863.027     | GUAINA X CAVI L.620MM              | 620MM CABLE TUBE                  | gaine de cablage 620 mm           | Schutz z. Schlauch L=1,78 cm            | GUAINA X CAVI L.620MM              |   |
| 35     | NET3.025.00P | PIASTRINA CONTAMPULSI              | PIASTRINA CONTAMPULSI             | SUPPORT COMPTEUR IMPULSIONS       | Aufnahmetratten elektromagnetisch       | CONTAMPULSI KEISU GX-06R 24V       | HS2 fino mat. 9011FS40018650<br>fino mat. 9011FS40018650<br>da matr. 9011FS40018651<br>solo abbinato con il 192200500 |
| 36     | 9991.140.050 | PORTA CONTAMPULSI KEISU GX-06R     | IMPULSE COUNTER KEISU GX-06R 24V  | COMPTEUR IMPULSIONS KEISU GX-06R  | Zählwerk KEISU GX-06R 24V DC            | PORTA CONTAMPULSI KEISU GX-06R     |   |
| 37     | U116.005     | VITE AUT.PT TCB 3,0X8 WN 1441 ZN   | screw AUT.PT TCB 3,0X8 WN 1441    | COMPTEUR                          | Schraube für Zähler Keisu               | VITE AUT.PT TCB 3,0X8 WN 1441 ZN   |   |
| 38     | 9111.402     | DISTANZIALE X SCHEDA               | SPACER FOR CARD                   | VIS DE FIXATION                   | Halterung                               | DISTANZIALE X SCHEDA               |   |
| 39     | 0875.650     | FLAT COLLEGAM. TASTIERA/CPU        | FLAT CONNECTOR TOUCH PANEL/CPU    | ENTRETOISE PLATINE                | Flachbandkabel Tastatur/CPU             | FLAT COLLEGAM. TASTIERA/CPU        |   |
| 40     | 11022282     | AS.CPU+SW CRISTALLO400 HS2         | CPU+SW AS.CRISTALLO400 HS2        | BRANCHEMENT PLAT CLAVIER/CPU      | CPU inklusive Software Cristallo        | AS.CPU+SW CRISTALLO400 ESPRESSO    |   |
| 41     | 11023404     | AS.CPU+SW CRISTALLO400 ESPRESSO    | CPU+SW AS. Cristallo400 Espresso  | AS.CPU+SW CRISTALLO400 ESPRESSO   | CPU inklusive Software Cristallo        | AS.CPU+SW Cristallo400/600 Esp/T   |   |
| 42     | 11026055     | AS.CPU+SW Cristallo400/600 Esp/T   | CPU+SW AS. Cristallo400/600 Esp/T | CPU+SW AS. Cristallo400/600 Esp/T | Flachbandkabel 16pol. Display Cr        | AS.CPU+SW Cristallo400/600 Esp/T   |   |
| 43     | 11021700     | FLAT CABLE M/F 16 POLI L.300MM     | FLAT CABLE 16 POLES L.300MM       | FLAT CABLE M/F 16 POLI L.300MM    | Flachbandkabel 16pol. Display Cr        | FLAT CABLE M/F 16 POLI L.300MM     |   |
| 44     | 1863.631     | FLAT CABLE DISPLAY                 | FLAT CABLE                        | CABLE DISPLAY                     | Flachbandkabel Display Cristallo        | FLAT CABLE DISPLAY                 |   |
| 45     | 11000299     | DISPLAY FS400 GRIGIO               | DISPLAY FS400 GREY                | AFFICHEUR FS400                   | Display grau FS400                      | DISPLAY FS400 GRIGIO               |   |
| 46     | 192200500    | DISPLAY 20X2 LCD BLUE STN + FLAT   | 20x2 LCD BLUE DISPLAY STN + FLAT  | PLATINE 20X2 LCD BLUE STN+FLAT    | LCD-Display 20x2 blau + Flachban        | DISPLAY 20X2 LCD BLUE STN + FLAT   |   |
| 47     | 0875.651     | SCHEDINO COLLEGAMENTO TASTIERA     | TOUCH PANEL CONNECTION CARD       | PLATINE CONNEXION CLAVIER         | Verbindungssprint Tastatur/elektronik/T | SCHEDINO COLLEGAMENTO TASTIERA     |   |
| 48     | 11001850     | TASTIERA A MEMBRANA ROSSA          | RED MEMBRANE KEYBOARD             | CLAVIER ROUGE                     | Tastaturfolie                           | TASTIERA A MEMBRANA ROSSA          |   |
| 49     | 11014247     | TASTIERA ADES.MEMBR. CRISTALLO400  | SWITCH PUSHBUTTON GREY            | CLAVIER CRISTALLO 400 BLACK       | Folienastatur C400                      | TASTIERA ADES.MEMBR. CRISTALLO400  |   |
| 50     | 11030948     | TASTIERA ADES.MEMBR. CRISTALLO600  | SWITCH PUSHBUTTON GREY            | CLAVIER CRISTALLO 600 C.B. GRIS   | Folienastatur C600                      | TASTIERA ADES.MEMBR. CRISTALLO600  |   |
| 51     | U110.004     | VITE AUT.TCB 3,5X6,5 DIN 7981 F    | screw AUT.TCB 3,5X6,5 DIN 7981 F  | VIS AUT.TCB 3,5X6,5 DIN 7981 F    | Schraube 3,5x6,5 DIN7981F               | VITE AUT.TCB 3,5X6,5 DIN 7981 F    |   |



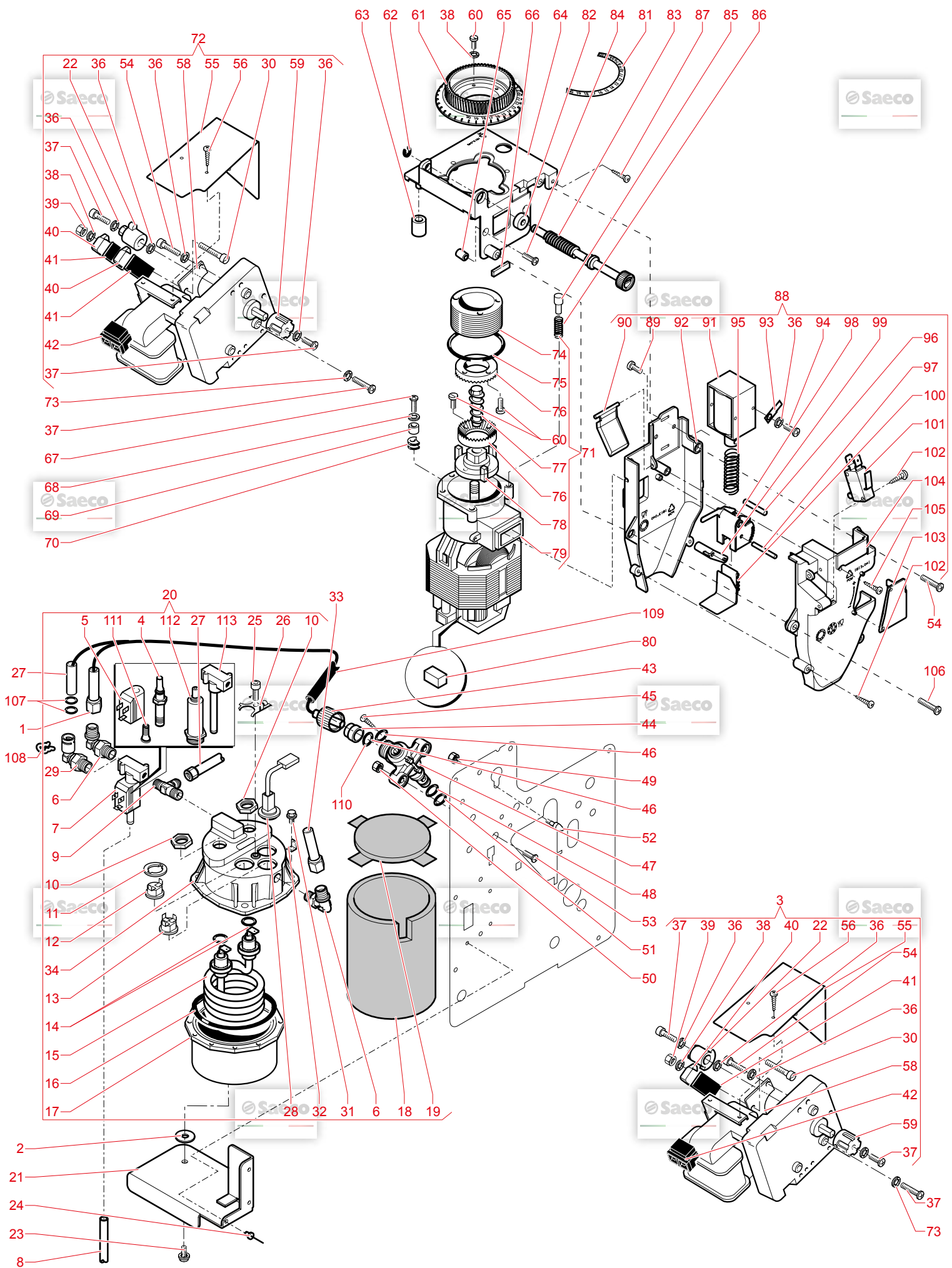
| N.POSI<br>COD | I - DESCRIZIONE | UK - DESCRIPTION                  | F - DESCRIPTION                  | D - BEZEICHNUNG                   | E - DESCRIPCION                   |
|---------------|-----------------|-----------------------------------|----------------------------------|-----------------------------------|-----------------------------------|
| 1             | 9169.A14.060    | PIN FOR PERCOLATOR BROWN          | AXE DE GRILLE                    | Boizen kplf. zu Sieb              | ASS. PERNO X DOCCIA COMPLETO MARR |
| 2             | NM02.006        | OR R5 TERMOIL                     | JOINT R5 EPDM                    | O-Ring R5 Siebhalterung alle Cer  | OR R5 TERMOIL                     |
| 3             | 140322061       | O-RING 4112 EPDM                  | JOINT 4112                       | O-Ring 4112 EPDM                  | OR 4112 EPDM                      |
| 4             | 324000100       | SS PERCOLATOR D=34 SCREW FOR UNI  | GRILLE SUPERIEURE                | Sieb mit Gewindestift ø34 bis Se  | DOCCIA AC. INOX D=34 CON VITE     |
| 5             | 140320461       | OR ORM 0080-20 TERMOIL            | PIPETTE A EAU                    | O-Ring 0080-20 Wasserreinlaustut  | OR ORM 0080-20 TERMOIL            |
| 6             | 322000501       | WATERFLOW PISTON BROWN            | PIPETTE A EAU                    | STUTZEN-EINLAUF BRAUN BG          | PISTONE MARRONE PASSAGGIO ACQUA   |
| 7             | 129512921       | SCREW TCB TORX 10 AB 2.9X13 SHEE  | VIS TCB TORX 10 AB 2.9X13 SS     | Schraube 2,9X13                   | VITE TCB AB 2.9X13 LAMIERA INOX   |
| 8             | 11010013        | CARTER FOR WUFF PREHEATING UNIT   | CARTER DE SORTIE PIPEPTE GROUPE  | Abdeckung Kaffeelauf              | CARTER X MANICOTTO GRUPPO PRERIS  |
| 9             | 11005371        | UNIT COFFEE MUFF                  | PIPEPTE DE GROUPE                | Wasserreinlaustutzen BG C600      | MANICOTTO GRUPPO CAFFE'           |
| 10            | 9111.537.060    | BROWN SCRAPER COFFEE GROUP        | RACLETTE POUR GROUPE             | Trichter Brühgruppe               | RASCHIATORE GRUPPO CAFFE' MARRONE |
| 11            | 9111.520        | SPRING FOR SCRAPER SECTION 0.6    | RACLETTE POUR GROUPE             | Feder für Abstreifer BG P500N     | MOLLA X RASCHIATORE SEZIONE 0.6   |
| 12            | U701.006        | SNAP RING 3.2 UNI 7434            | RESSORT POUR RACLETTE            | Sicherungsring ø3.2 elastisch     | ANELLO ELASTICO 3.2 UNI 7434      |
| 13            | 9111.539.060    | FORK FOR SCRAPER                  | FOURCHE POUR RACLETTE            | Gabel zu Trichter                 | FORCELLA PER RASCHIATORE          |
| 14            | 9110.067.060    | SCRAPER ASS. FOR CAPPUCCINAT. TUB | RACLETTE COMPLET                 | Abstreifer kplf. Brühgruppe SG    | ASS. RASCHIATORE X SG500/700      |
| 15            | U110.013        | screw AUT. TCB 3.9X6.5 DIN 7981 F | VIS .TCB 3.9X6.5 DIN 7981 F NIK  | Schraube 3,9X6,5                  | VITE AUT.TCB 3.9X6.5 DIN 7981 F   |
| 16            | 140321462       | O-RING 2018 SILICONE              | JOINT 2018                       | O-Ring 2018 Silikon               | OR 2018 SILICONE                  |
| 17            | 9972.057        | SILICONE TUBE 5X8 L.2000MM        | TUBE SILICONE MARRON L2M 5X8     | Siliconschlauch 5x8, l=2mtr., bra | TUBO SILICONE MARRON 5X8 L.2000   |
| 18            | 9111.349        | ELBOW DISPENSING NOZZLE           | BOUSE SORTIE COUDE               | Produktlaufanschluss beweglich    | UGELLO EROGAZIONE GOMITO          |
| 19            | 322001201       | MOBILE SCRAPER BROWN NARROW       | RECEPTACLE MOUTURE DIGITAL       | Trichter Brühgruppe SA, P-Geräte  | RASCHIATORE MOBILE MARRON TYP ST  |
| 20            | 9161.425        | SPRING FOR SCRAPER                | RESSORT DE TREMIS                | Federbügel zu Trichter            | MOLLA X TRAMOGGIA                 |
| 21            | 129851921       | TSP SCREW M3X6 UNI 7688 SS        | VIS TSP M3X6 UNI 7688            | Schraube M3x6 DIN 965 INOX        | VITE TSP M3X6 UNI 7688 INOX       |
| 22            | 324000200       | SS PERCOLATOR D=34 FOR UNIT       | GRILLE INFRIEURE                 | Sieb ø34                          | DOCCIA AC. INOX D=34 X GRUPPO     |
| 23            | 222711101       | BROWN GROUND COFF CONTAINER D=36  | CHAMBRE GROUPE                   | Brühkammer braun                  | AS. CONT. CAF. MAC. D=36          |
| 24            | 9161.021.060    | KEY FOR BREW UNIT BROWN           | CLE DE GROUPE                    | Einsteilschlüssel für Brühheihel  | CHIAVE X GRUPPO CAFFE' MARRON     |
| 25            | 11005421        | BREW UNIT 7 GRAMS CRISTALLO600    | GROUPE CAFE 7GR CRISTALLO600 HS1 | Brühgruppe 7g Cristallo 400/600   | GRUPPO CAFFE' 7GR CRISTALLO600    |
| 25            | 11023330        | BREW UNIT 7 GRAMS                 | GROUPE CAFE 7GR HS2              | Brühgruppe 7g                     | GRUPPO CAFFE' 7GR DOCCIA          |
| 25            | 9160.078.060    | BROWN BREW UNIT DA 10P 7 GRAMS    | GROUPE CAFE 7GR NEW 10 P/G700    | Brühgruppe kplf. 7gr              | GRUPPO CAFFE' C/RASCHIATORE 7GR   |
| 26            | 11012630        | PERCOLATOR D.34                   | GRILLE INFRIEURE D.34            | Sieb Brühgruppe oben d=34         | DOCCIA ELFO D.34                  |
| 27            | 129852821       | TSP SCREW M3X14 UNI 7688 SS       | VIS TSP M3X14 UNI 7688 SS        | Senkkopfschraube 3x10             | VITE TSP M3X14 UNI 7688 INOX      |
| 28            | 11013053        | CARTER FOR DOSER UNIT             | PROTECTION GROUPE CAFE           | Abdeckung Brühgruppe              | CARTER X GRUPPO CAFFE'            |



| N.POSI<br>COD | I - DESCRIZIONE | UK - DESCRIPTION                 | F - DESCRIPTION                  | D - BEZEICHNUNG                   | E - DESCRIPCION                   |
|---------------|-----------------|----------------------------------|----------------------------------|-----------------------------------|-----------------------------------|
| 1             | 9169.A14.150    | PIN FOR PERCOLATOR GREY          | AXE BLOAGE GRILLE SUP GRIS       | Rändelspahnmutter grau            | ASS.PERNO X DOCCIA COMPLETO GRIG  |
| 2             | NM02.006        | OR R5 TERMOIL                    | JOINT R5 EPDM                    | O-Ring R5 Siebhalterung alle Cer  | OR R5 TERMOIL                     |
| 3             | NM01.044        | OR ORM 0320-40 SILICONE PTFE/FDA | JOINT OR 0320-40 SILICONE        | O-Ring ORM 0320-40                | OR ORM 0320-40 SILICONE PTFE/FDA  |
| 4             | 9161.036        | UPPER PERCOLATOR FOR UNIT        | GRILLE SUPERIEURE                | Sieb oben Brühgruppe l=15mm       | DOCCIA SUPERIORE X GRUPPO         |
| 5             | 140320461       | OR ORM 0080-20 TERMOIL           | JOINT DE PIPE TTE 0080-20        | O-Ring 0080-20 Wassereinlaufstut  | OR ORM 0080-20 TERMOIL            |
| 6             | 322000559       | WATER FLOW PISTON GREY           | PISTON PASSAGE EAU               | Elnlaufstutzen grau               | PISTONE GRIGIO PASSAGGIO ACQUA    |
| 7             | 129512921       | SCREW TCB TORX 10 AB 2.9X13 SS   | VIS TCB TORX 10 AB 2.9X13 SS     | Schraube 2,9X13                   | VITE TCB AB 2.9X13 LAMIERA INOX   |
| 8             | 11010013        | CARTER FOR MUFF PREHEATING UNIT  | CARTER DE SORTIE PIPE TTE GROUPE | Abdeckung Kaffeelauf              | CARTER X MANICOTTO GRUPPO PRERIS  |
| 9             | 11005371        | UNIT COFFEE MUFF                 | PIPE TTE DE GROUPE               | Wassereinlaufstutzen BG C600      | MANICOTTO GRUPPO CAFFE'           |
| 10            | 9111.537.150    | GREY SCRAPER COFFEE GROUP        | RACLETTE DE GROUPE CAFÉ          | Federbügel zu Trichter grau       | RASCHIATORE GRUPPO CAFFE GRIGIO   |
| 11            | 9111.520        | SPRING FOR SCRAPER SECTION 0.6   | RESSORT POUR RACLETTE            | Feder für Abstreifer BG P500N     | MOLLA X RASCHIATORE SEZIONE 0.6   |
| 12            | U701.006        | SNAP RING 3.2 UNI 7434           | ANNEAU ELASTIQUE                 | Sicherungsring ø3.2 elastisch     | ANELLO ELASTICO 3.2 UNI 7434      |
| 13            | 9111.539.150    | FORK FOR SCRAPER                 | FOURCHE POUR RACLETTE            | Gabel zu Trichter                 | FORCELLA PER RASCHIATORE          |
| 14            | 9110.067.150    | SCRAPER ASS.FOR CAPPUCINAT. TUB  | ENSEMBLE RACLETTE DE GROUPE      | Federbügel+Gabel kplt. zu Tricht  | ASS.RASCHIATORE X SG500/700       |
| 15            | U110.013        | screw AUT.TCB 3.9X6.5 DIN 7981 F | VIS .TCB 3.9X6.5 DIN 7981 F NIK  | Schraube 3,9X6,5                  | VITE AUT.TCB 3.9X6.5 DIN 7981 F   |
| 16            | 140321462       | O-RING 2018 SILICONE             | JOINT 2018                       | O-Ring 2018 Silikon               | OR 2018 SILICONE                  |
| 17            | 9972.057        | SILICONE TUBE 5X8 L.2000MM       | TUBE SILICONE MARRON L2M 5X8     | Siliconschlauch 5x8, l=2mtr.,bra  | TUBO SILICONE MARRON 5X8 L.2000   |
| 18            | 9111.349        | ELBOW DISPENSING NOZZLE          | BUSE SORTIE COUDE                | Produktauslaufanschluß beweglich  | UGELLO EROGAZIONE GOMITO          |
| 19            | 9161.020.060    | PLATE FOR COFFEE UNIT BROWN      | RECUPE RATEUR CAFE               | Pulverauffangschale Brühgr. brau  | PIATTINO X GRUPPO CAFFE MARRON    |
| 20            | 3220001259      | MOBILE SCRAPER GREY NARROW       | ENTONNOIR 9GR PROFI 2            | Trichter schmale Form, grau       | RASCHIATORE MOBILE GRIGIO (STRET  |
| 21            | 9161.425        | SPRING FOR SCRAPER               | RESSORT DE TREMIS                | Federbügel zu Trichter            | MOLLA X TRAMOGGIA                 |
| 22            | 129851921       | TSP SCREW M3X6 UNI 7688 SS       | VIS TSP M3X6 UNI 7688            | Senkschraube M3x6 DIN 965 INOX    | VITE TSP M3X6 UNI 7688 INOX       |
| 23            | 9161.037        | LOWER PERCOLATOR FOR UNIT        | GRILLE INFERIEURE                | Sieb unten Brühgruppe             | DOCCIA INFERIORE X GRUPPO         |
| 24            | 11002626        | ASS. COFFEE CONTAINER GREY 9 GR. | CHAMBRE GROUPE CAFE 9GR.         | Brütkammer kplt. grau 9 gr.       | ASS.CONTENTITORE CAFFE GRIGIO 9 G |
| 25            | 9161.021.060    | KEY FOR BREW UNIT BROWN          | CLE DE GROUPE CAFE               | Einsteckschlüssel für Brütheinhei | CHIAVE X GRUPPO CAFFE' MARRON     |
| 26            | 11005422        | BREW UNIT 9 GRAMS                | GROUPE CAFE 9GR                  | Brühgruppe kplt.                  | GRUPPO CAFFE' 9GR                 |
| 26            | 9160.079.150    | BREW UNIT 9 GRAMS                | GPE CAFE 9GR PIPE TTE MALE       | Brühgruppe kplt. P500/700N/SG200  | GRUPPO CAFFE' C/RASCHIATORE 9 GR  |
| 27            | 11013053        | CARTER FOR DOSER UNIT            | PROTECTION GROUPE CAFE           | Abdeckung Brühgruppe              | CARTER X GRUPPO CAFFE'            |

NOTE

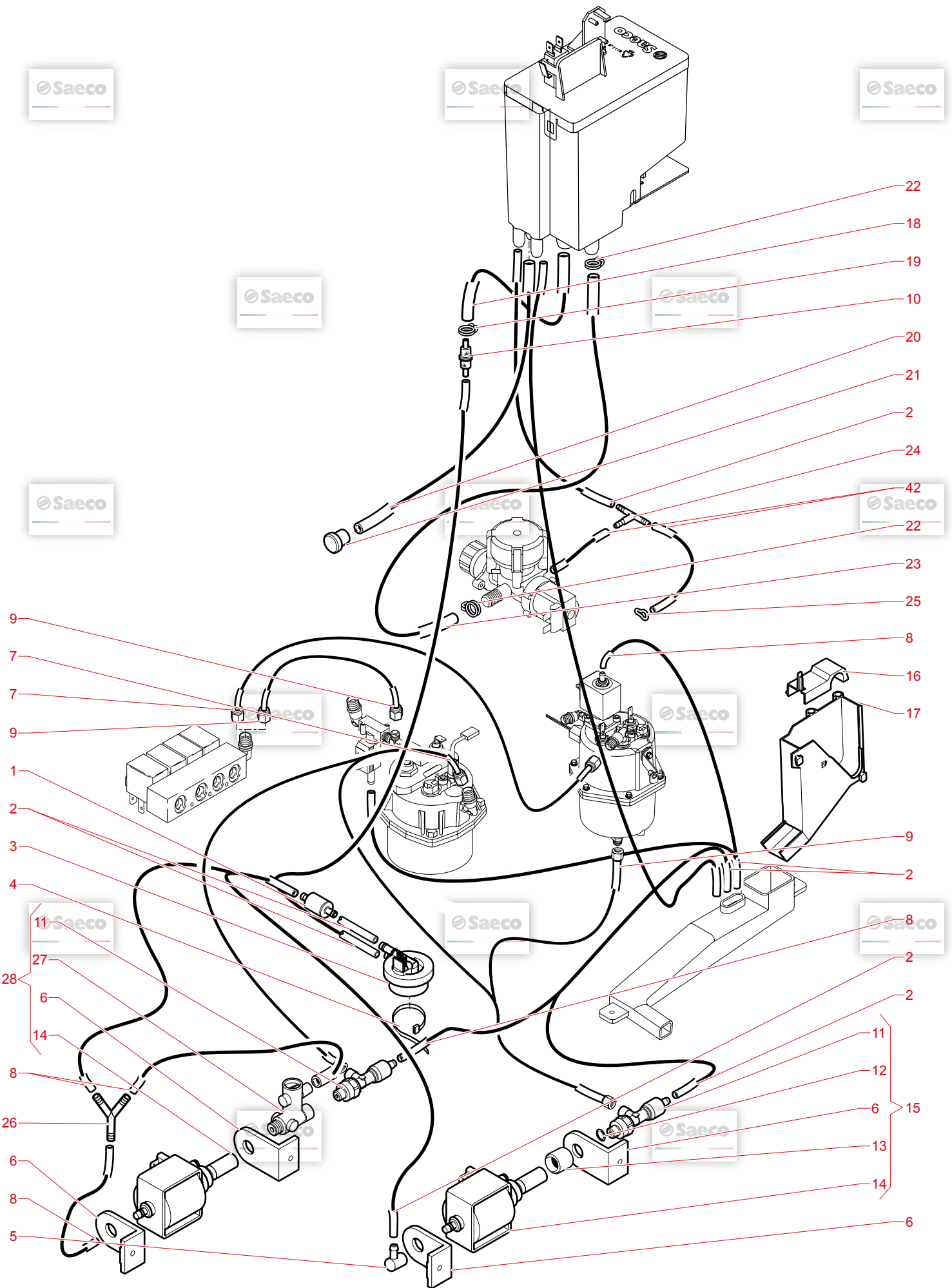
fino matr. 9007FS40009083  
fino matr. 9007FS40009083  
da matr. 9007FS40009084  
da matr. 9007FS40009084



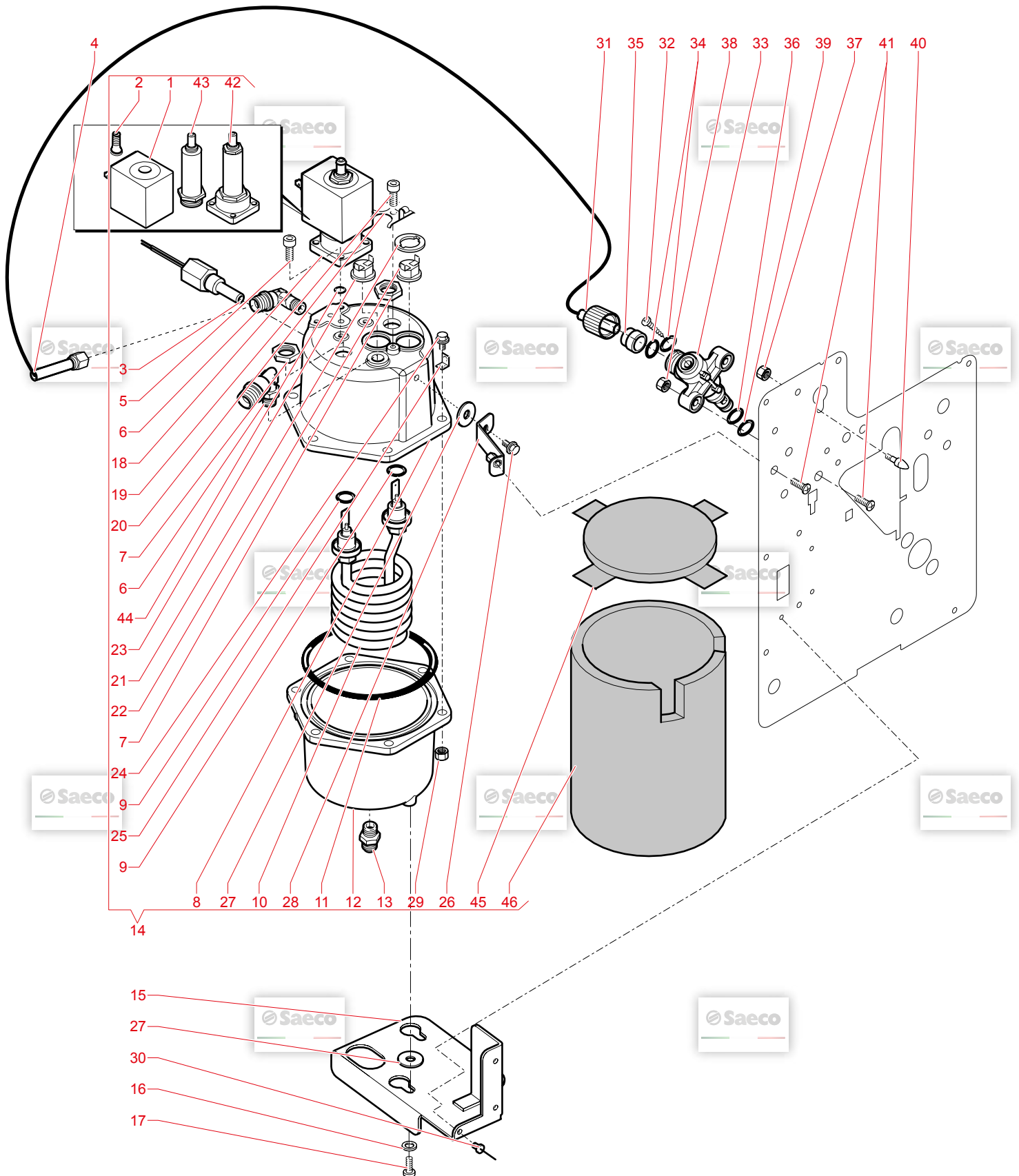
| N.POSI | COD          | I - DESCRIZIONE                       | UK - DESCRIPTION                   | F - DESCRIPTION                    | D - BEZEICHNUNG                    | E - DESCRIPCION                     | NOTE                          |
|--------|--------------|---------------------------------------|------------------------------------|------------------------------------|------------------------------------|-------------------------------------|-------------------------------|
| 1      | 11025408     | ASS.TUBO TEFLON 3x6 L290 GODRONE      | TUBE ASSEMBLY TEFLON 3X6 L.290MM   | ENS.TUBE TEFLON 3X6 L290 GODRONE   | ASS.TUBO TEFLON 3x6 L290 GODRONE   | ASS.TUBO TEFLON 3x6 L290 GODRONE    |                               |
| 2      | 9111.501     | RONDELLA DI ISOLAMENTO                | INSULATION WASHER                  | RONDELLE ISOLANT                   | Isolierscheibe                     |                                     | da matr. 9010FS40017598       |
| 3      | 11025216     | ASS.RATIOMOTOR FOR DA 230V FS400      | ASS RATIONOMOTOR FOR DA 230V FS400 | MOTEUR REDUCTEUR FS400             | Getriebemotor kplt. 230V/ 50Hz-    | ASS.MOTORIDUTTORE CRIST400 230V     | da matr. 9010FS40017598       |
| 3      | 11025217     | ASS.MOTORIDUTTORE CRIST400 220/60 FS4 | ASS.RATIOMOTOR FOR DA 220/60 FS4   | MOTEUR REDUCTEUR FS400             | Getriebemotor kplt. 220V/ 60Hz-    | ASS.MOTORIDUTTORE CRIST400 220/60 1 | da matr. 9014FS40026494       |
| 3      | 11025218     | ASS.MOTORIDUTTORE CRIST400 120V       | ASS.RATIOMOTOR FOR DA 120V FS400   | MOTEUR REDUCTEUR FS400             | Getriebemotor kplt. 120V/ 1Mikros  | ASS.MOTORIDUTTORE CRIST400 120V     | da matr. 9014FS40026494       |
| 4      | 20007307     | RIC. EVT S/BOMB. EVT HSI 11023762     | SPARE EVT HSI 11023762             | RIC. EVT S/BOMB. EVT HSI 11023762  | SPARE EVT HSI 11023762             | RIC. EVT S/BOMB. EVT HSI 11023762   | da matr. 9014FS40026495       |
| 5      | 20005373     | RIC. BOBINA EVT HSI 11023762          | SOLENOID HVT 11023762              | BOBINE ELECTROVANNI.HS1.11023762   | Spule HSI 11023762                 | RIC. BOBINA EVT HSI 11023762        |                               |
| 5      | 20007361     | RIC. BOBINA EVT ODE                   | SOLENOID EVT ODE                   | BOBINE ELECTROVANNI ODE            | Spule EVT ODE                      | RIC. BOBINA EVT ODE                 |                               |
| 6      | 12001181     | RACCORDO BICONO A L.M 1/8X06 OTT      | BICONICAL CONNECT. L.M 1/8X06 TE   | RACCORD 906 LM 1/8"06 OTT. TEA     | "Verschraubung 90° 1/8"x06 P7 TEA" | RACCORDO BICONO A L.M 1/8X06 OTT    |                               |
| 7      | 11023762     | ELETTROVALVOLA 3 VIE 24V DC DC        | ELECTROVALVE OLAB 3 WAYS 24V DC    | ELECTROVANNIE OLAB 3 VOIES 24V DC  | Elettrovalvola OLAB P8 24V DC TEA  | ELETTROVALVOLA 3 VIE 24V DC DC      |                               |
| 7      | 11032408     | ELETTROVALVOLA 3 VIE 24V DC           | ELECTROVALVE ODE 3 WAYS 24V DC     | ELECTROVANNIE ODE 3 VOIES 24V DC   | Elettrovalvola ODE P8 24V DC       | ELETTROVALVOLA 3 VIE 24V DC DC      |                               |
| 8      | 9972.057     | TUBO SILICONE 5X8 L.2000MM            | SILICONE TUBE 5X8 L.2000MM         | TUBE SILICONE MARRON L2M 5X8       | Siliconschlauch 5x8. l=2mtr. bra   | TUBO SILICONE MARRON 5X8 L.2000     |                               |
| 9      | 11011454     | RACCORDO A T X CALDAIA TEA            | RACCORD EN T POUR CHAUDIERE TEA    | "CONNECTOR FOR BOILER TEA T"       | RACCORDO A T X CALDAIA TEA         |                                     |                               |
| 10     | 9991.029     | DADO X RESISTENZA                     | NUT FOR RESISTOR                   | ECROU DE LA RESISTANCE             | Sechskantmutter zur Heizschlange   | DADO X RESISTENZA                   |                               |
| 11     | 9991.085     | RONDELLA FERWATERMOSTATI              | THERMOSTAT FIXING WASHER           | RONDELLE DE THERMOSTAT             | Thermostatabschluchring d=15mm     | RONDELLA FERWATERMOSTATI            |                               |
| 11     | 9991.085     | TERMOSTATO 150°NC FASTON 90°          | THERMOSTAT 150°NC FASTON 90°       | HERMOSSTAT 150                     | Thermostat 150°C                   | TERMOSTATO 150°NC FASTON 90°        |                               |
| 12     | NE09.021     | TERMOSTATO 175° INT-15L-5126          | THERMOSTAT 175° INT-15L-5126       | HERMOSSTAT 175° INT-15L-5126       | Thermostat Heizung Office One      | TERMOSTATO 175° INT-15L-5126        |                               |
| 13     | 189428700    | OR. 3050 FKM 80 FD PEROXIDICA         | OR 3050 FKM 80 FD PEROXIDICA       | JOINT OR 3050 FKM 80 FD PEROXIDI   | O-Ring 3050 PEROXID                | OR. 3050 FKM 80 FD PEROXIDICA       |                               |
| 14     | 11000972     | RESISTENZA CALDAIA 230V 1000W         | RES CALD. V230 W1000 INC.800       | RESISTANCE 230V 1000W INC.800      | Heizschlange Boiler V230 W1000 I   | RESISTENZA CALDAIA 230V 1000W       |                               |
| 15     | 11007580     | RES.CALD. 120V 1000W INC.800          | RES CALD. V120 W1000 INC.800       | RES CALD. V230 W1000 INC.800       | Heizschlange Boiler V230 W1000 I   | RES.CALD. 120V 1000W INC.800        |                               |
| 16     | 11004.010    | OR ORM 0730-40 FPM 70 +5 IRHD N       | OR ORM 0730-40 FPM 70+5 IRHD BL    | NON UTILISE POUR LA FRANCE ET LE   | Heizung Cristallo/Rubino/Topazio   | OR ORM 0730-40 FPM 70 +5 IRHD N     |                               |
| 17     | 9011.226     | CORPO INFERIORE M6 VENDING TEA        | LOWER OVERSIZE CASING M6 VENDING   | CORPS INFERIEUR OR ORM 0730-4      | Thermoblock-Unterteil M6           | CORPO INFERIORE M6 VENDING TEA      |                               |
| 18     | 11030779     | ISOLANTE PERIMETR. CALDAIA 300CC      | COFFEE BOILER 600CC UPPER ISOLAT   | ISOLANT CHAUDIERE                  | ISOLATION                          | ISOLANTE PERIMETR. CALDAIA 300CC    |                               |
| 19     | 11030777     | ISOLANTE SUP.CALDAIA 300CC VENDI      | COFFEE BOILER 600CC UPPER ISOLAT   | ISOLANT CHAUDIERE                  | ISOLATION                          | ISOLANTE SUP.CALDAIA 300CC VENDI    |                               |
| 20     | 11025319     | ASS.CALDAIA C.B. TEA 230V             | BOILER 230V TEA                    | CHAUD.COMPL.ETE 230V TEA           | Boiler kplt. HSI TEA 230V          | ASS.CALDAIA C.B. TEA 230V           | HSI fino matr. 9014FS40026494 |
| 20     | 11031131     | ASS.CALDAIA C.B. TEA 230V             | BOILER CRISTALLO 0600 C.B. 230V    | CHAUD.COMPL.C B 230V               | Boiler kplt. HSI TEA 230V          | ASS.CALDAIA C.B. TEA 230V           | Gran Gusto                    |
| 20     | 11032545     | ASS.CALDAIA PHEdra ODE 230V           | BOILER PHEdra ODE 230V             | ENS. CHAUDIERE PHEdra ODE 230V     | Boiler kplt. PHEdra ODE 230V       | ASS.CALDAIA PHEdra ODE 230V         | da matr. 9014FS40026495       |
| 20     | 11032688     | ASS.CALDAIA CRISTALLO ODE 230V        | BOILER CRISTALLO ODE 230V          | ENS. CHAUDIERE CRISTALLO ODE 230   | Boiler kplt. CRISTALLO ODE 230V    | ASS.CALDAIA CRISTALLO ODE 230V      | da matr. 9014FS40026505       |
| 21     | 11005639     | PIASTRA SUPPORTO CALDAIA              | SUPPORT PLATE BOILER               | PLAQUE SUPPORT CHAUDIERE           | Montagetafel Boiler                | PIASTRA SUPPORTO CALDAIA            |                               |
| 22     | 9991.037     | CAMMA X MOTORIDUTTORE 1 MICRO         | CAM FOR RATIONOMOTOR 1 MICRO       | CAM FOR RATIONOMOTOR 1 MICRO       | Exzentrisscheibe Antriebsmotor     | CAMMA X MOTORIDUTTORE 1 MICRO       |                               |
| 23     | U046.005     | VITE T5 M5,0X10 C/RODNELLA            | screw T5 M5,0X10 WITH WASHER       | VIS T5 M5X10                       | Schraube M 5x10 mit Unterlagsche   | VITE T5 M5,0X10 C/RODNELLA          |                               |
| 23     | NF11.115     | RIVETTO A STRAPPO D.3 X 6 INOX        | BLIND RIVETS                       | RIVET D.3 X 6 INOX                 | BLIENDNIETTE 3X 6                  | RIVETTO A STRAPPO D.3 X 6 INOX      |                               |
| 25     | 12001032     | VITE TCEI M4,0X6 UNI 5931 8.8 ZI      | SCREW TCEI M4,0X6 DIN 912 ZIN      | VIS TCEI M4,0X6 UNI 5931 ZIN       | Schraube M4X0,6 UNI5931            | VITE TCEI M4,0X6 UNI 5931 8.8 ZI    |                               |
| 26     | 226830200    | MOLLA FERMA 3 TERMOSTATI+TERMOFU      | RETAIN SPRING 3 THERM. + THERMAL   | RESSORT THERMOSTATIQUE             | Thermostathelfeder 3 Thermosta     | MOLLA FERMA 3 TERMOSTATI+TERMOFU    |                               |
| 27     | 11025292     | "ASS.TUBO TEFLON 3X6 L.230 1/8"-1"    | "TEFLON TUBE 3X6 L.230 1/8"-1/8"   | "ENS.TUBE TEFLON 3X6 L.230 1/8"-1" | Teflonschlauch 3x6 l=230mm / 1/8   | "ASS.TUBO TEFLON 3X6 L.230 1/8"-1"  |                               |
| 28     | 11000990     | ASS.SENSORE X FS400                   | ASS.SENSOR FS400                   | REGULATEUR DE CHAUFFE FS400        | Temperatursensor Cristallo 230V    | ASS.SENSORE X FS400                 |                               |
| 28     | 11003870     | ASS.SENSORE CRISTALLO400 120V         | SENSOR ASS.CRISTALLO400 120V       | "RACC.ORIENT.DADO/OGV.1/8" CONICO" | SENSOR CRISTALLO400 120V           | ASS.SENSORE CRISTALLO400 120V       |                               |
| 29     | 11029569     | "RACC.ORIENT.DADO/OGV.1/8" CONICO"    | CONNECTOR                          | "RACC.ORIENT.DADO/OGV.1/8" CONICO" | CONNECTOR                          | "RACC.ORIENT.DADO/OGV.1/8" CONICO"  |                               |
| 30     | U034.002     | VITE TCI M3,0X20 UNI 6107 ZNP         | screw TCI M3,0X20 UNI 6107 GALV.   | VIS TCI M3,0X20 UNI 6107 GALV.     | Linsenschraube M3x20 DIN 84 verz.  | VITE TCI M3,0X20 UNI 6107 ZNP       |                               |
| 31     | U023.020     | LINGUETTA MASCHIO PIANA 6,3 D.6       | MALE TONGUE PLAIN 6.3 D.6.3        | LANGUETTE DE TERRE 6.3 D.6.3       | Zylinderleier M6x20 DIN 912 verz   | LINGUETTA MASCHIO PIANA 6,3 D.6     |                               |
| 31     | NE15.013     | "ASS.TUBO TEFLON 3X6 L.310 1/8"-1"    | "TEFLON TUBE 3X6 L.310 1/8"-1/8"   | "ASS.TUBO TEFLON 3X6 L.310 1/8"-1" | Teflonschlauch 3x6 l=310mm / 1/8   | "ASS.TUBO TEFLON 3X6 L.310 1/8"-1"  |                               |
| 33     | 11002289     | CORPO SUPERIORE M6 TEA                | UPPER DOSER CASING M6 TEA          | CORPS SUPERIEUR M6 TEA             | Thermoblock Oberteil M6 TEA        | CORPO SUPERIORE M6 TEA              |                               |
| 35     | 9991.012.050 | CAMMA X MOTORIDUTTORE NERA            | CAM FOR RATIONOMOTOR BLACK         | CAME MOTEUR REDUCTEUR              | Doppelnockencheibe schwarz         | CAMMA X MOTORIDUTTORE NERA          |                               |
| 36     | 128310404    | ROSETTA UNI 8842 A4 BRUNITA           | WASHER UNI 8842 A4 BURNISHED       | RONDELLE UNI 8842 A4               | Facherschraube A4 3 DIN 6798 verz  | ROSETTA UNI 8842 A4 BRUNITA         |                               |
| 37     | 128924002    | VITE TCB M4X10 UNI 7687 ZNP           | TCB SCREW M4X10 UNI 7687 ZNP       | VIS TCB M4X10 UNI 7687             | Schraube M4x10                     | VITE TCB M4X10 UNI 7687 ZNP         |                               |
| 38     | U208.002     | ROSETTA DENT. 3,3X5,8 UNI 3703 Z      | TOOTHED WASHER 3.3X5.8 UNI 3703    | RONDELLE DENT. 3.3X5.8 UNI 3703    | Mutter M3                          | ROSETTA DENT. 3,3X5,8 UNI 3703 Z    |                               |
| 39     | U302.002     | DADO ESAGONALE M3 UNI 5588 ZNP        | nut HEXAGONAL M3 UNI 5588          | ECROU M3 UNI 5588 ZNP              | Mikroschalter Getriebemotor Cris   | DADO ESAGONALE M3 UNI 5588 ZNP      |                               |
| 40     | NE05.066     | MICROINTERRUTTORE CROUZET             | MICROSWITCH CHERRY D41901A         | MICRO INTERRUTEUR CROUZET          | Isolationscheibe                   | MICROINTERRUTTORE CROUZET           |                               |
| 41     | 9991.014     | CARTONCINO X MICROINTERRUTTORE        | CARD FOR MICRO SWITCHES            | PLAQUE SUPP.MICRO INTERRUPT        | Getriebemotor 230/240-50           | CARTONCINO X MICROINTERRUTTORE      |                               |
| 42     | 11032817     | MOTORIDUTTORE IN PLASTICA PACCO 23    | RATIOMOTOR 30 PACK 230/240-50      | MOTEUR REDUCTEUR                   | Getriebemotor 120/60               | MOTORIDUTTORE IN PLASTICA PACCO 23  |                               |
| 42     | 11032818     | MOTORIDUTTORE IN PLASTICA PACCO 30    | RATIOMOTOR 30 PACK 120/60          | MOTEUR REDUCTEUR 120/60            | Getriebemotor 220/60               | MOTORIDUTTORE IN PLASTICA PACCO 30  |                               |
| 43     | 11032819     | GODRONE FEMMINA M14                   | RATIOMOTOR 30 PACK 220/60          | MOTEUR REDUCTEUR                   | Getriebemotor 220/60               | GODRONE FEMMINA M14                 |                               |
| 43     | 11005743     | GODRONE FEMMINA M14 X TUBO 4X2        | KNURLED FEMALE HAND BOLT M14       | ECROU M14                          | Anschluß Vorheizung C800           | GODRONE FEMMINA M14 X TUBO 4X2      |                               |
| 44     | 11005741     | BOCCOLA ESTERNA D.6 X GODRONE         | CONNECTOR D 6                      | OGIVE EXTERNE D 6                  | Klemmhülse Vorheizung C600         | BOCCOLA ESTERNA D.6 X GODRONE       |                               |
| 45     | U109.037     | VITE AUT.TCB 4,8X13 DIN 7981 C N      | screw AUT.TCB 4,8X13 DIN 7981 C    | VIS AUT.TCB 4,8X13 DIN 7981 C NI   | Schraube TCB 4,8x13 DIN 7981 NIK   | VITE AUT.TCB 4,8X13 DIN 7981 C N    |                               |
| 46     | 140321462    | OR 2018 SILICONE                      | O-RING 2018 SILICONE               | JOINT 2018                         | O-Ring 2018 Silikon                | OR 2018 SILICONE                    |                               |
| 47     | 11005370     | PERNO X MANICOTTO                     | PIN FOR MUFF                       | PIPEPTE DE CHAUDIERE               | Ventilzapfen C800                  | PERNO X MANICOTTO                   |                               |
| 48     | 11013173     | OR ORM 0090-20 FKM 80 FD VERDE P      | OR ORM 0090-20 FKM 80 FD GREEN P   | JOINTS ORM 0090-20 FKM 80 FD VER   | O-Ring 0090-20 FKM 80 FD grün V    | OR ORM 0090-20 FKM 80 FD VERDE P    |                               |
| 49     | U302.001     | DADO ESAGONALE M5 UNI 5588 ZNP        | nut HEXAGONAL M5 UNI 5588          | ECROU M5 UNI 5588 ZNP              | Mutter M5 UNI 5588 ZNP             | DADO ESAGONALE M5 UNI 5588 ZNP      |                               |
| 50     | U302.003     | DADO ESAGONALE M4 UNI 5588 ZN         | GALV.NUT HEXAGONAL M4 UNI 5588 Z   | ECROU HEXAGONAL M4 UNI 5588 ZN     | Mutter M4 UNI 5588 ZN              | DADO ESAGONALE M4 UNI 5588 ZN       |                               |
| 51     | 11013174     | OR ORM 0050-20 FKM 80 FD VERDE P      | OR ORM 0050-20 FKM 80 FD GREEN P   | JOINTS ORM 0050-20 FKM 80 FD VER   | O-Ring 0050-20 FKM 80 FD grün V    | OR ORM 0050-20 FKM 80 FD VERDE P    |                               |
| 52     | 11006046     | PERNO X CALDAIA                       | PEG FOR BOILER                     | PIVOT POUR CHAUDIERE               | Senkschraube M4x12 DIN 7688 ZNP    | PERNO X CALDAIA                     |                               |
| 53     | U044.013     | VITE TSPC M4,0X12 UNI 7688 ZNP        | screw TSPC M4,0X12 UNI 7688 GALV   | VIS M4,0X12 UNI 7688 GALV          | Senkschraube M4x12 DIN 965 verz    | VITE TSPC M4,0X12 UNI 7688 ZNP      |                               |
| 54     | 129825502    | VITE TCB M4X25 UNI 7687 ZNP           | TCB SCREW M4X25 UNI 7687 ZNP       | VIS TCB M4X25 7687                 | Linsenschraube M4x25 DIN 7985 ve   | VITE TCB M4X25 UNI 7687 ZNP         |                               |
| 55     | 11004285     | SQUADRETTA RIPARO MOTORIDUTTORE       | CENTRAL UNIT MOTOR STEEL CARTER    | CARTIER UNITE MOTEUR               | Schutzwinkel Getriebemotor         | SQUADRETTA RIPARO MOTORIDUTTORE     |                               |
| 55     | 11014251     | SQUADRETTA RIPARO MOTORIDUTTORE       | CENTRAL UNIT MOTOR STEEL CARTER    | CARTIER UNITE MOTEUR               | Schutzwinkel Getriebemotor         | SQUADRETTA RIPARO MOTORIDUTTORE     |                               |
| 56     | 129511903    | VITE TCB 2,9X6,4 DIN 7981 BZ NIK      | SCREW TCB 2,9X6,4 DIN 7981 BZ NI   | VIS TCB 2,9X6,4 DIN 7981 BZ NICK   | Blechschraube 2,9X6,4 NI           | VITE TCB 2,9X6,4 DIN 7981 BZ NIK    |                               |

| N.POSI | COD          | I - DESCRIZIONE                   | UK - DESCRIPTION                   | F - DESCRIPTION                  | D - BEZEICHNUNG                   | E - DESCRIPCION                   | NOTE |
|--------|--------------|-----------------------------------|------------------------------------|----------------------------------|-----------------------------------|-----------------------------------|------|
| 57     | U034.001     | VITE TCI M3,0X30 UNI 6107 ZNP     | screw TCI M3,0X30 UNI 6107 GALV.   | VIS TCI M3X30UNI6107 ZNP         | Zylinderstr.M3x30 DIN 84 verz.    | VITE TCI M3,0X30 UNI 6107 ZNP     |      |
| 58     | 9991.015     | PIASTRINA X MICRO                 | PLATE FOR MICRO                    | PLAQUETTE MICRO INTERRUPT        | Montageblech für Microschalter    | PIASTRINA X MICRO                 |      |
| 59     | 9991.013     | GIUNTO X MOTORIDUTTORE            | JOINT FOR RATIO MOTOR              | PIGNON MICRO REDUCTEUR           | Kupplung GServicebemerotor P5 A   | GIUNTO X MOTORIDUTTORE            |      |
| 60     | U043.007     | VITE TCBC M3,0X8 UNI 7687 ZNP     | screw TCBC M3,0X8 UNI 7687 GALV.   | VIS TCBCM3X8UNI 7687 ZNP         | Linsenschraube M3x8 DIN 7985 ver  | VITE TCBC M3,0X8 UNI 7687 ZNP     |      |
| 61     | 1713.103.A20 | GHIERA DI REGOLAZIONE MACINE      | RING NUT OF GRIND REGULATION       | BAGUE DE REGLAGE                 | Einstellung Mähgrad SG200         | GHIERA DI REGOLAZIONE MACINE      |      |
| 62     | U701.011     | ANELLO ELASTICO 5 UNI 7434 ACC.   | STEEL SNAP RING 5 UNI 7434         | ANNEAU                           | Sicherungsring ø5 elastisch       | ANELLO ELASTICO 5 UNI 7434 ACC.   |      |
| 63     | 1813.046.050 | GOMMINO SUPPORTO MACININO         | GRIND SUPPORT                      | GOMME SUPPORT MEULE              | Supporto Mahlwermotor SG200       | GOMMINO SUPPORTO MACININO         |      |
| 64     | 1813.045.A20 | SUPPORTO MACININO                 | RUBBER SUPPORT                     | SUPPORT DE MOULIN                | Supporto Mahlwermotor SG200       | SUPPORTO MACININO                 |      |
| 65     | 1813.097.A20 | DISTANZIALE X MACINACAFFE' H=11,  | SPACER                             | ENTRETOISE                       | Distanzstück zu Mahlwerk          | DISTANZIALE X MACINACAFFE' H=11,  |      |
| 66     | 1813.177     | GUARNIZIONE SUPPORTO MACININO     | SUPPORT SEAL                       | SILENT BLOC                      | Dichtung zu Mahlwerk              | GUARNIZIONE SUPPORTO MACININO     |      |
| 67     | 12002052     | VITE TCB M4X16 ZN-B               | ZN-B TCB SCREW M4X16               | VIS TCBCM4X16UNI7687ZNP          | LINSEN BLECHSCHR. M4,0X16         | VITE TCB M4X16 ZN-B               |      |
| 68     | U203.001     | ROSETTA PIANA 4,3X8 UNI 1749 ZNP  | FLAN WASHER 4,3X8 UNI 1749 GAL     | RONDELLE D'ECARTEMENT            | Schelle 4,3 x 8 verzinkt          | ROSETTA PIANA 4,3X8 UNI 1749 ZNP  |      |
| 69     | 9141.003     | DISTANZIALE X GOMMINO             | SPACER FOR RUBBER                  | SILENT BLOC CAFE MOULU           | Distanzhülse                      | DISTANZIALE X GOMMINO             |      |
| 70     | 9991.005     | GOMMINO X MACINACAFFE'            | RUBBER FOR COFFEE GRINDER          | SILENT BLOC CAFE MOULU           | Gummihalierung Mahlwermotor MA    | GOMMINO X MACINACAFFE'            |      |
| 71     | 9140.001.00A | ASS.MOTORE MACINACAFFE'220/230V   | COFFEEGRINDER MOTOR ASS.220/230V   | MOTEUR MOULURE 220/230V          | Mahlwermotor kpt. 230V PR         | ASS.MOTORE MACINACAFFE'220/230V   |      |
| 71     | 9140.001.00F | ASS.MOTORE MACINACAFFE'120V       | COFFEEGRINDER MOTOR ASS.120V       | NON UTILISEE PAR LA FRANCE ET LE | MAHLWERKMOTOR KPLT. 120V PR       | ASS.MOTORE MACINACAFFE'120V       |      |
| 72     | 11003768     | ASS.MOTORIDUTTORE CRISTALLO0400 1 | ASS.RATIO MOTOR CRISTALLO0400 120V | NON UTILISEE PAR LA FRANCE ET LE | Getriebemotor kpt. 120V / 2 Mik   | ASS.MOTORIDUTTORE CRISTALLO0400 2 |      |
| 72     | 11005172     | ASS.MOTORIDUTTORE CRISTALLO0400 2 | ASS.RATIO MOTOR CRISTALLO0400 220V | ENSEMBLE MOTOREDUCTEUR CRISTALLO | Getriebemotor kpt. 220V / 60Hz    | ASS.MOTORIDUTTORE CRISTALLO0400 2 |      |
| 72     | 9120.060.00A | ASS.MOTORIDUTTORE X DA 230V FS40  | ASS.RATIO MOTOR FOR DA 230V FS400  | MOTEUR REDUCTEUR FS400           | Getriebemotor kpt. 230V / 2 Mikr  | ASS.MOTORIDUTTORE X DA 230V FS40  |      |
| 73     | U207.002     | ROSETTA PIANA 4,3X9 UNI 6592 ZNP  | PLAIN WASHER 4,3X9 UNI 6592 GAL    | RONDELL 4,3 9 UNI6592 ZNP        | Schelle A4,3 DIN 125 verz.        | ROSETTA PIANA 4,3X9 UNI 6592 ZNP  |      |
| 74     | 9141.008     | VITE DI REGOLAZIONE MANOPOLA      | KNOB ADJUSTMENT SCREW              | VIS DE ANNEAU DE REGLAGE         | Gewindring h=25mm                 | VITE DI REGOLAZIONE MANOPOLA      |      |
| 75     | 140321560    | OR RING 3187 NBR                  | O-RING 3187 NBR                    | JOINT NBR 3187                   | O-Ring 3187 NBR                   | OR 3187 NBR                       |      |
| 76     | 9141.081     | MACINA PIANA D.43                 | FLAT MILL D.43                     | MEULE D.43                       | Mahlschleibe PR, PRGA, CA, P-Perà | MACINA PIANA D.43                 |      |
| 77     | 9141.001     | VITE DI INCREMENTO MC IN OTTONE   | BRASS INCREMENT SCREW MC           | VIS D'ENTRAINEMENT CAFE          | Mahlschnecke Messing              | VITE DI INCREMENTO MC IN OTTONE   |      |
| 78     | 9141.007     | VENTOLINA                         | FAN                                | SUPPORT DE MEULE                 | Mahlschleiben-Support             | VENTOLINA                         |      |
| 79     | 9140.002.00A | ASS.MOTORE CON CALOTTA 230V       | MOTOR ASS.WITH CAP 230V            | MOTEUR MOULURE 500               | Mahlwermotor 230V 50/60Hz         | ASS.MOTORE CON CALOTTA 230V       |      |
| 79     | 9140.002.00F | ASS.MOTORE CON CALOTTA 120V       | MOTOR ASS.WITH CAP 120V            | NON UTILISEE PAR LA FRANCE ET LE | MAHLWERKMOTOR 120V                | ASS.MOTORE CON CALOTTA 120V       |      |
| 80     | 0701.R34     | SPAZZOLA MOTORE MACINACAFFE'      | MOTOR BRUSH                        | BROCHE DE MOTEUR                 | Kohle Mahlwermotor                | SPAZZOLA MOTORE MACINACAFFE'      |      |
| 81     | 15000422     | ETICHETTA GRADUAZIONE MACINATURA  | LABEL GRADUATION GRINDING          | ETIQUETTE DE GRADUATION MOULIN   | Aufkleber zu MähgradEinstellung   | GOMMINO ANTIVIBRAZIONE            |      |
| 82     | 1813.159     | GOMMINO ANTIVIBRAZIONE            | ANTIVIBRATION RUBBER               | SILENT BLOC                      | Schwingungsdämpfer aus Gummi      | GOMMINO ANTIVIBRAZIONE            |      |
| 83     | 1813.104.A20 | VITE REGOLAZIONE MACININO         | ADJUSTMENT SCREW WITH TUBE HOLDE   | VIS DE REGLAGE                   | Gewindestift zu Mahlwerk kpt.     | VITE REGOLAZIONE MACININO         |      |
| 84     | U044.022     | VITE TSPC M4,0X25 UNI 7688 ZNP    | SCREW TSPC M4,0X25 UNI 7688 GALV.  | VIS TSPC M5,0X8 UNI 7688 GALV.   | Linsenschraube M4x25 DIN 965 ver  | VITE TSPC M4,0X25 UNI 7688 ZNP    |      |
| 85     | 9141.005     | PERNO MANOPOLA                    | KNOB PIN                           | AIGUILLE D'ARRETOIR              | Raststift i=19 mm Mahlwerk        | PERNO MANOPOLA                    |      |
| 86     | 126769118    | MOLLA X PERNO FERMA MANOPOLA (H=  | SPRING FOR KNOB STOP PIN (H=19)    | RESSORT D'AXE                    | Feder zu Raststift                | MOLLA X PERNO FERMA MANOPOLA (H=  |      |
| 87     | U116.006     | VITE AUT.PT TCB 3,5X12 WN 1441 Z  | SCREW AUT.PT TCB 3,5X12 WN 1441    | VIS AUTPT TCB 3,5X12             | Linsen-Schraube 3,5x12 WN1441ZNP  | VITE AUT.PT TCB 3,5X12 WN 1441 Z  |      |
| 88     | 11033675     | ASS.DOSATORE CRISTALLO LAVORATO   | ASS.DOSATOR FOR DISPENSER WITH     | ELECTROAIMANT DOSEUR CAFE SG200  | Klappe zu Dosierer                | ASS.DOSATORE CRISTALLO LAVORATO   |      |
| 88     | 11033677     | ASS.DOSATORE CRISTALLO LAVORATO   | ELECTROMAGNET X DISPENSER W/NUCL   | NON UTILISEE PAR LA FRANCE ET LE | Elektromagnet Dosierer 120V mit   | ASS.DOSATORE CRISTALLO LAVORATO   |      |
| 88     | 11033677     | ASS.DOSATORE CRISTALLO LAVO       | ELECTROMAGNET X DISPENSER W/NUCL   | NON UTILISEE PAR LA FRANCE ET LE | Elektromagnet Dosierer 120V/ 60H  | ASS.DOSATORE CRISTALLO LAVO       |      |
| 88     | 1813.A10.A2N | ASS.DOSATORE 6-11 GR. 220V 60HZ   | DISPENSER SHELL                    | CARTER DE DOSEUR                 | Gehäuse zu Dosierer               | ASS.DOSATORE 6-11 GR. 220V 60HZ   |      |
| 89     | 12002151     | VITE TSP M3X4 UNI 7688 INOX       | TSP SCREW M3X4 UNI 7688 SS         | DOSEUR                           | Sensschraube M3x4 DIN 965 INOX    | VITE TSP M3X4 UNI 7688 INOX       |      |
| 90     | 1813.042.A20 | PALETTA DOSATORE                  | DISPENSER PALLET                   | PALETTE DOSEUR                   | Elektromagnet Dosierer 230V mit   | PALETTA DOSATORE                  |      |
| 91     | 9121.235.00F | ELETTROM. X DOSAT./NUCLEO 120V 6  | ELECTROMAGNET FOR DISPENSER WITH   | ELECTROAIMANT DOSEUR CAFE SG200  | Elektromagnet Dosierer 120V mit   | ELETTROM. X DOSAT./NUCLEO 120V 6  |      |
| 91     | 9121.235.00N | ELETTROM. X DOSAT./NUCLEO 220V 6  | ELECTROMAGNET X DISPENSER W/NUCL   | NON UTILISEE PAR LA FRANCE ET LE | Elektromagnet Dosierer 120V/ 60H  | ELETTROM. X DOSAT./NUCLEO 220V 6  |      |
| 92     | 11033683     | GUSCIO DOSATORE 1813.040./A20 LAV | DISPENSER SHELL                    | CARTER DE DOSEUR                 | Gehäuse zu Dosierer               | GUSCIO DOSATORE 1813.040./A20 LAV |      |
| 93     | NE15.003     | LINGUETTA MASCHIO PIANA 6,3 D.5,  | MALE TONGUE PLAIN 6,3 D.5.2        | LANGUETTE 6,3 D.5.2              | Schraube                          | LINGUETTA MASCHIO PIANA 6,3 D.5,  |      |
| 94     | 126821402    | VITE TCB M3X4 UNI 7687 ZNP        | TCB SCREW M3X4 UNI 7687 ZNP        | TCB SCREW M3X4 UNI 7687 ZNP      | Blechschraube TCB M3x4 UNI 7687   | VITE TCB M3X4 UNI 7687 ZNP        |      |
| 95     | 1813.127     | MOLLA X ELETTROMAGNETE DOSATORE   | SPRING FOR ELECTROMAGNET           | RESSORT ELECTROAIMANT            | Feder zu Elektromagnet Dosierer   | MOLLA X ELETTROMAGNETE DOSATORE   |      |
| 96     | 1813.092     | PERNO ELETTROMAGNETE              | PIN FOR ELECTROMAGNET              | AXE ELECTROAIMANT                | Boizen zu Elektromagnet           | PERNO ELETTROMAGNETE              |      |
| 97     | 1813.091     | PERNO X REGOLATORE DOSATORE       | DISPENSER REGULATION               | AXE REGULATEUR                   | Boizen zu DosierEinstellung       | PERNO X REGOLATORE DOSATORE       |      |
| 98     | 1813.043.A20 | REGOLATORE DOSATORE               | DISPENSER REGULATION               | DOSEUR                           | Einstellvorrichtung zu Dosierer   | REGOLATORE DOSATORE               |      |
| 99     | 1813.078.A20 | LEVA REGOLAZIONE                  | ADJUSTMENT LEVER                   | LEVIER D'AJUSTEMENT              | LEVA REGOLAZIONE                  | LEVA REGOLAZIONE                  |      |
| 100    | 1813.044.A20 | PALETTA X REGOLATORE              | PALLET FOR REGULATION              | PLAQUE                           | Trichter zu Einstellvorrichtung   | PALETTA X REGOLATORE              |      |
| 101    | NE05.062     | MICROINTERRUTTORE CROTELLO        | MICROSWITCH + WHEEL                | MICROCONTACT                     | Mikroschalter zu Schwimmer        | MICROINTERRUTTORE CROTELLO        |      |
| 102    | U116.004     | VITE AUT.PT TCB 3,0X16 WN 1441 Z  | screw AUT.PT TCB 3,0X16 WN 1441    | VIS TCB 3X16                     | Spax-Schraube 3x16 DIN 7981 verz  | VITE AUT.PT TCB 3,0X16 WN 1441 Z  |      |
| 103    | 1813.191.A20 | COPERTURA DOSATORE                | DISPENSER COVER                    | COUVERGLE DOSEUR                 | Abdeckung zu Dosierer             | COPERTURA DOSATORE                |      |
| 104    | 11033684     | GUSCIO EST.DOSATORE 1813.041./A20 | OUTSIDE SHELL DISPENSER            | CARTER EXTERIEUR DE DOSEUR       | Gehäuse zu Dosierer extern        | GUSCIO EST.DOSATORE 1813.041./A20 |      |
| 105    | 12000390     | VITE AUT.TCB 2,9X25 DIN 7981 C N  | SCREW AUT.TCB 2,9X25 DIN 7981 C    | VIS TCB8,9X25 DIN7981C NIK       | Schraube 2,9x25 DIN7981 NIK       | VITE AUT.TCB 2,9X25 DIN 7981 C N  |      |
| 106    | 12002039     | VITE TCBM M4X12 ZN-B              | SCREW TCBM TORX 20 M4X12 ZN-B      | JOINT OR 2015 SILICONE ROUGE     | Schraube 3,8x48x28 TORX           | VITE TCBM M4X12 ZN-B              |      |
| 107    | 140328059    | FORCELLA X TUBO D=4 INOX          | SS FORK FOR TUBE D=4               | AGRAFE TUYAU                     | Sicherungsfeder Schlauch V1, RO   | FORCELLA X TUBO D=4 INOX          |      |
| 108    | 9972.236     | TUBO SILICONE NERO 7,5X9,3 L=200  | BLACK SILICONE TUBE 7,5X9,3 L=200  | OR 275 DE.8.04 SILICONE PERNO MA | OR 275 DE.8.04 SILICONE PERNO MA  | TUBO SILICONE NERO 7,5X9,3 L=200  |      |
| 109    | 12001810     | RIC. NUCLEO EVT HSI 11023762      | SPARE EV MOBILE CORE 11023762      | RIC. NUCLEO EVT HSI 11023762     | SPARE EV MOBILE CORE 11023762     | RIC. NUCLEO EVT HSI 11023762      |      |
| 111    | 20007305     | RIC. NUCLEO EVT HSI 11023762      | SPARE CORE EV ODE                  | NOYAU RUBIS ELECTROVANNNE ODE    | SPARE CORE EV ODE                 | RIC. NUCLEO EVT HSI 11023762      |      |
| 111    | 20007362     | RIC. CANNOTTO EVT HSI 11023762    | SPARE EVT HSI 11023762             | RIC. CANNOTTO EVT HSI 11023762   | RIC. CANNOTTO EVT HSI 11023762    | RIC. CANNOTTO EVT HSI 11023762    |      |
| 112    | 20007306     | RIC. CANNOTTO EVT ODE             | SPARE EVT ODE                      | CANAL ELECTROVANNNE ODE          | SPARE EVT ODE                     | RIC. CANNOTTO EVT ODE             |      |
| 112    | 20007363     | RIC. CANNOTTO EVT ODE             | SPARE EVT HSI 11032408             | ELECTROVANNNE SEULE 11032408 HSI | SPARE EVT 11032408                | RIC. CANNOTTO EVT ODE             |      |
| 113    | 20007364     | RIC. EVT S/BOB. EVT 11032408      | SPARE EVT 11032408                 |                                  |                                   | RIC. EVT S/BOB. EVT 11032408      |      |

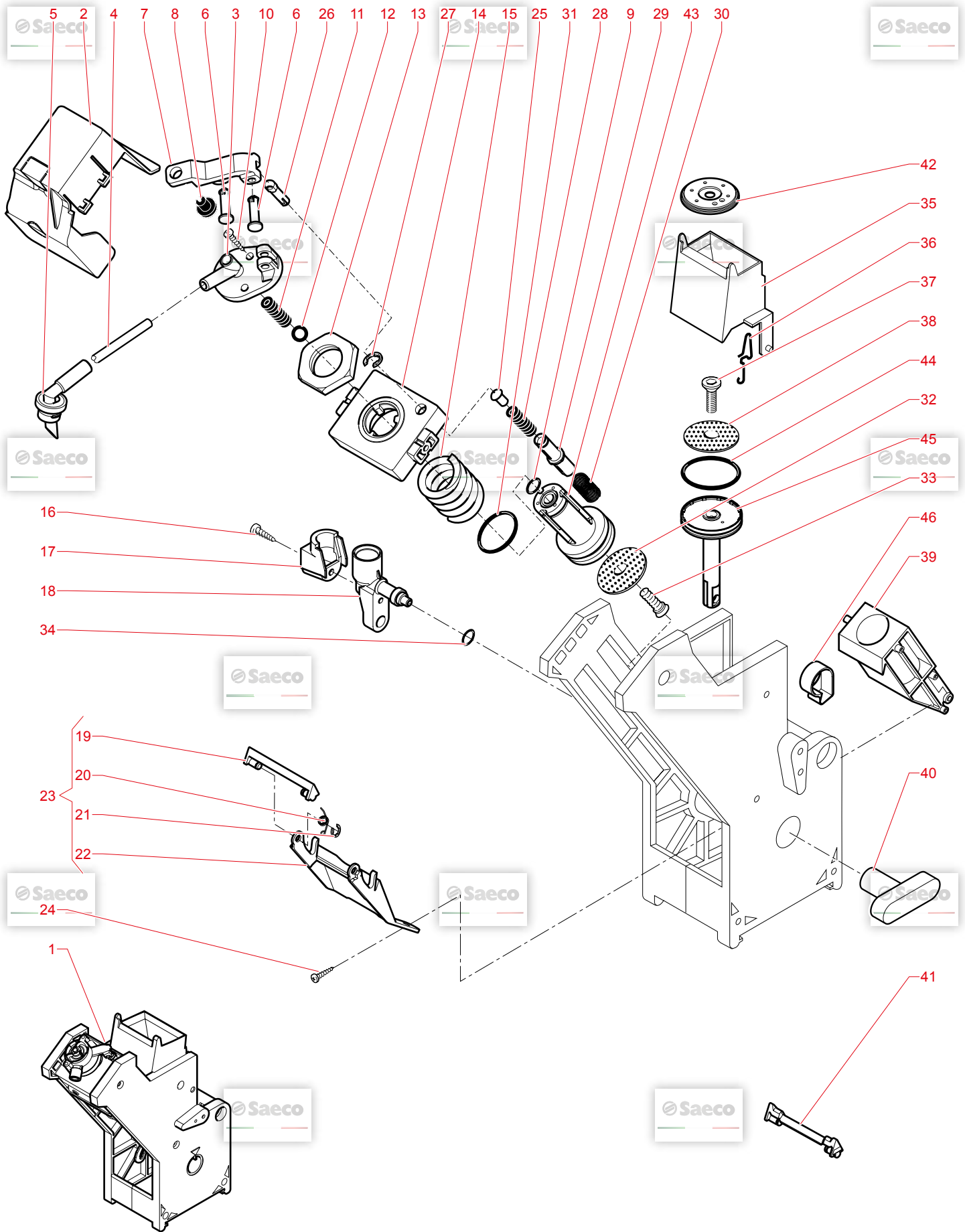




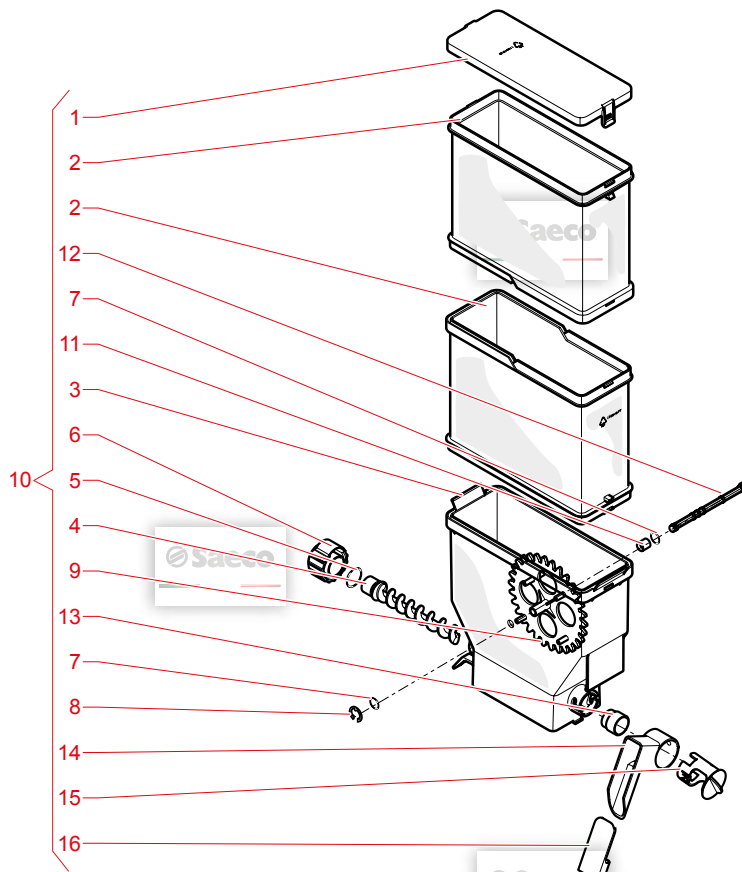
| N.POSI | COD          | I - DESCRIZIONE                      | UK - DESCRIPTION                 | F - DESCRIPTION                    | D - BEZEICHNUNG                      | E - DESCRIPCION                    | NOTE      |
|--------|--------------|--------------------------------------|----------------------------------|------------------------------------|--------------------------------------|------------------------------------|-----------|
| 1      | 11024178     | ASS.POLMONE ACQUA PHEDRA             | WATER FILTER PHEDRA              | FILTRE A EAU PHEDRA                | Wasserfilter                         | ASS.FILTRO ACQUA PHEDRA            |           |
| 2      | 9972.057     | TUBO SILICONE 5X8 L.2000MM           | SILICONE TUBE 5X8 L.2000MM       | TUBE SILICONE MARRON L2M 5X8       | TURBINE D=1,2                        | TUBO SILICONE MARRON 5X8 L.2000    |           |
| 3      | NV99.099     | AS.TURBINA D=1,2                     | TURBINE D=1,2 ASSY.              | DEBITMETRE D=1,2                   | TURBINE D=1,2                        | AS.TURBINA D=1,2                   |           |
| 4      | 144320200    | FASCIETTA AUTOBLOC.W=2,6 L=200 B     | SELF LOCK STRIP W=2.6 L=200      | COLLIER AUTOSERRANT L=200MM        | Kabelbinder, l=200mm                 | FASCIETTA AUTOBLOC.W=2.6 L=200 B   |           |
| 5      | 147920150    | RAC.INGRESSO A 90° POMPA NEU.        | 90° INLET PUMP CONNECTOR         | RACCORD 90° CAOUTCHOUC             | Pumpenanschlusswinkel 90° weiß Ku    | RAC.INGRESSO A 90° POMPA NEU.      |           |
| 6      | 149185850    | SUPP.POMPA EATON MAGIC 4002012       | EATON PUMP SUPPORT 4002012 MAGIC | SUPPORT DE POMPE                   | Pumpenhalterung Typ EATON sz.        | SUPP.POMPA EATON MAGIC 4002012     |           |
| 7      | 11025297     | "ASS.TUBO TEFLON 3X6 L.310 1/8"-1/8" | "TEFLON TUBE 3X6 L.310 1/8"-1/8" | "ASS.TUBO TEFLON 3X6 L.310 1/8"-1" | Teflonschlauch 3x6 l=310mm / 1/8     | "ASS.TUBO TEFLON 3X6 L.310 1/8"-1" |           |
| 8      | 9972.247     | TUBO SILICONE 5X10 L.1400MM          | SILICONE TUBE 5X10 L.1400MM      | TUBE SILICONE 5X10 L.1400 MM       | Siliconschlauch 5x10 l=1,4 mtr.      | TUBO SILICONE 5X10 60SH L=1400 M   |           |
| 9      | 11025292     | "ASS.TUBO TEFLON 3X6 L.230 1/8"-1"   | "TEFLON TUBE 3X6 L.230 1/8"-1/8" | "ENS.TUBE TEFLON 3X6 L.230 1/8"-1" | Teflonschlauch 3x6 l=230mm / 1/8     | "ASS.TUBO TEFLON 3X6 L.230 1/8"-1" |           |
| 10     | 144650300    | FILTRO IN ASPIRAZ.RETE 500 OV        | ASPIRATION FILTER GAUZE NET 500  | FILTRE D'ASPIRATION                | Wasserfilter 952 D=8 nur Express     | FILTRO IN ASPIRAZ.RETE 500 OV      |           |
| 11     | 11005590     | ASS.VALVOLA SICUREZZ.NRITORNORN      | SAFETY VALVE/NON RETURN ASS. NEW | VALVE ANTI RETOUR                  | Sicherheits- Rückschlagventil        | ASS.VALVOLA SICUREZZ.NRITORNORN    |           |
| 12     | NM02.020     | ***OR 2031 TERMOIL                   | OR 2031 TERMOIL                  | JOINT 2031                         | O-RING 2031                          | ***OR 2031 TERMOIL                 |           |
| 13     | 9071.098     | RINFORZO X POMPA ULKA                | REINFORCEMENT FOR ULKA PUMP      | EMBOUIT DE POMPE ULKA              | Verstärkung zu Ulka-Pumpe            | RINFORZO X POMPA ULKA              |           |
| 14     | 9070.042.00A | POMPA IN OTTONE                      | BRASS PUMP                       | BRASS PUMP                         | BRASS PUMP                           | POMPA IN OTTONE                    | solo 120V |
| 14     | 9070.042.00N | POMPA ULKA EX5 SD1                   | ULKA PUMP EX5 SD1                | NON UTILISEE PAR LA FRANCE ET LE   | Pumpe Ulka Ex5 220V / 60Hz SD1       | POMPA ULKA EX5 SD1                 |           |
| 14     | 9070.044.00F | POMPA ULKA EP5 D1                    | ULKA PUMP EP5 D1                 | POMPE ULKA EP5 D1                  | Pumpe Ulka EP5 D1                    | POMPA ULKA EP5 D1                  | solo 120V |
| 15     | 9070.043.00A | ASS.POMPA NON RITORNO                | ULKA PUMP+NON RETURN             | ENSEMBLE POMPE + RACCORD RA        | Pumpe 230V/50Hz m                    | ASS.POMPA NON RITORNO              |           |
| 15     | 9070.043.00N | ASS.POMPA ULKA EX5 SD1 NON RITOR     | ULKA PUMP EX5 SD1 +NON RETURN    | NON UTILISE PAR LA FRANCE ET LE    | Pumpe Ulka Ex5 220V/60Hz SD1 mit     | ASS.POMPA ULKA EX5 SD1 NON RITOR   |           |
| 16     | 9070.045.00F | ASS.POMPA ULKA EP5 D1 120V           | ULKA PUMP ASS EP5 D1 120V        | NON UTILISEE PAR LA FRANCE ET LE   | PUMPE ULKA KOMPLETT 120 V            | ASS.POMPA ULKA EP5 D1              |           |
| 17     | 9161.262.060 | COPERTURA CANALINO RACCOGLIGOCCE     | DRIP CHANNEL COVER               | COUV.CANAL DECOMPRESSION           | Abdeckung zu Auffangtrichter, br     | COPERTURA CANALINO RACCOGLIGOCCE   |           |
| 17     | 9111.597.050 | CANALINO SCARICO CAFFE' CORTO        | COFFEE DISCHARGE CHANNEL SHORT   | CANAL EAU USEES                    | Restwassersammler CS, P8             | CANALINO SCARICO CAFFE' CORTO      |           |
| 18     | 9972.141     | TUBO SILICONE 7X11 L.160MM           | SILICONE TUBE 7X11 L.160MM       | TUBE SILICONE 7X11 L.160 MM        | SILIKONSCHLAUCH 7X11 L=160 MM        | TUBO SILICONE 7X11 L.160MM         |           |
| 19     | NV99.072     | FASCETTA STRINGITUBO D. 11.6/12.     | HOSE CLAMP D. 11.6/12.3          | ATTACHE D. 11.6/12.3               | Schlauchklemme D=11.6-12.3           | FASCETTA STRINGITUBO D. 11.6/12.   |           |
| 20     | 9972.335     | TUBO SILICONE 7X11 L.1240MM          | SILICONE TUBE 7X11 L.135MM       | TUBE SILICONE 7X11 L.135 MM        | Siliconschlauch 7x11 L=1240          | TUBO SILICONE 7X11 L.1240 MM       |           |
| 21     | NV03.006     | TAPPO KAPSTO LPN 615/010             | CAP KAPSTO LPN 615/010           | BOUCHON LPN 615/010                | Verschluß                            | TAPPO KAPSTO LPN 615/010           |           |
| 22     | NV99.050     | FASCETTA STRINGITUBO D. 13.3/14.     | HOSECLAMP D. 13.3/14.1           | ATTACHE D. 13.3/14.1               | Klemmfeder d=13,3/14,1mm             | FASCETTA STRINGITUBO D. 13.3/14.   |           |
| 23     | 9972.134     | TUBO SILICONE 7X11 L.850MM           | SILICONE TUBE 7X11 L.850MM       | SILICONE TUBE 7X11 L.850 MM        | Siliconschlauch 7x11 L=850 mm        | SILICONE TUBE 7X11 L.850 MM        |           |
| 24     | NV99.004     | RACCORDO A T.MORONI 8026047 D=8      | CONNECTOR T.MORONI 8026047 D=8   | RACCORD EN T 8026047 D=8           | T-Raccordo Moroni 8026047 d=8 mm     | RACCORDO A T.MORONI 8026047 D=8    |           |
| 25     | 9111.141     | MOLLA CHIUSURA TUBO SCARICO          | DISCHARGE TUBE CLOSURE SPRING    | GOUPILLE                           | Klemmfeder                           | MOLLA CHIUSURA TUBO SCARICO        |           |
| 26     | 147920800    | RACCORDO Y D=8 ART.80.26.048 KA.     | Y CONNECTOR D=8 ART.80.26.048 KA | RACCORDO Y D=8 ART.80.26.048 KA.4  | "Verteilerstück ""Y"" ø8 Kunststoff" | RACCORDO Y D=8 ART.80.26.048 KA.   |           |
| 27     | 20007360     | VALV. B7E BYPASS C/SCARICO 0i.8      | BYPASS VALVE FLUID-O-TECH B7E    | VALVE BYPASS FLUID-O-TECH B7E      | BYPASS VALVE FLUID-O-TECH B7E        | VALV. B7E BYPASS C/SCARICO 0i.8    |           |
| 28     | 11032988     | ASS.POMPA EX5 SD1 CRISTALLO 230V     | ASSEMBLY PUMP EX5 SD1 230V       | ENS. POMPE EX5 SD1 230V            | ASSEMBLY PUMP EX5 SD1 230V           | ASS.POMPA EX5 SD1 CRISTALLO 230V   |           |



| N.POSI | COD       | I - DESCRIZIONE                   | UK - DESCRIPTION                  | F - DESCRIPTION                   | D - BEZEICHNUNG                     | E - DESCRIPCION                   | NOTE                     |
|--------|-----------|-----------------------------------|-----------------------------------|-----------------------------------|-------------------------------------|-----------------------------------|--------------------------|
| 1      | 20006583  | RIC. BOBINA EVT HS2 11012534      | COIL EVT HS2 11012534             | RIC. BOBINA EVT HS2 11012534      | SPULE EVT HS2 11012534              | RIC. BOBINA EVT HS2 11012534      | fino mat. 9015FS40028275 |
| 2      | 20007361  | SOLENOID EVT ODE                  | SOLENOID EVT ODE                  | BOBINE ELECTROVANNE ODE           | Spule EVT ODE                       | RIC. BOBINA EVT ODE               | da matr. 9015FS40028276  |
| 3      | 20006974  | ASS.NUCLEO MOBILE OLAB 8000-836   | MOBILE NUCLEUS OLAB 8000-836      | ENS NOYAU ELECTROV. OLAB 8000-83  | Spulenkm. 8000-836                  | ASS. NUCLEO MOBILE OLAB 8000-836  | da matr. 9015FS40028275  |
| 4      | 20007362  | RIC.NUCLEO EVT ODE                | SPARE CORE EV ODE                 | NOYAU RUBIS ELECTROVANNE ODE      | SPARE CORE EV ODE                   | RIC.NUCLEO EVT ODE                | da matr. 9015FS40028276  |
| 5      | 11005388  | ASS.SONDA AD IMMERSIONE           | IMMERSION PROBE ASS.              | SONDE IMMERGEE                    | Tauchsond. / Temp.fühler            | ASS. SONDA AD IMMERSIONE          |                          |
| 6      | 11012549  | ASS.TUBO TEFLON 3x6 L220MM        | TUBE ASSEMBLY TEFLON 3x6 L.220MM  | ENS. TUBE TEFLON 3x6 L220 ECR0U 7 | TUBE ASSEMBLY TEFLON 3x6 L.220MM    | ASS. TUBO TEFLON 3x6 L220 GODRONE |                          |
| 7      | 12001179  | VITE TCEI M4,0X12 UNI 5931 8.8 Z  | SCREW TCEI M4,0X12 UNI 5931 8.8   | VIS TCEI M4,0X12 UNI 5931 8.8 ZI  | SCHRAUBE M4X12 UNI 5931             | VITE TCEI M4,0X12 UNI 5931 8.8 Z  |                          |
| 8      | 12001181  | RACCORDO BICONO A L.M. 1/8X06 OTT | BICONICAL CONNECT. L.M. 1/8X06 TE | RACCORD 906 LM 1/8"06 OTT. TEA    | "Verschraubung 90° 1/8" x06 P7 TEA" | RACCORDO BICONO A L.M. 1/8X06 OTT |                          |
| 9      | 9991.029  | DADO X RESISTENZA                 | NUT FOR RESISTOR                  | ECROU DE LA RESISTANCE            | Sechskantmutter zur Heizschlange    | DADO X RESISTENZA                 |                          |
| 10     | 11000972  | CORPO SUPERIORE CALDAIA 600CC TE  | UPPER CASING BOILER 600CC TEA     | CORPS SUPERIEUR CHAUDIERE 600cc   | CORPO SUPERIORE CALDAIA 600CC TE    | CORPO SUPERIORE CALDAIA 600CC TE  |                          |
| 11     | 11000972  | OR 3050 FKM 80 FD PEROXIDICA      | OR 3050 FKM 80 FD PEROXIDICA      | JOINT OR 3050 FKM 80 FD PEROXIDI  | O-Ring 3050 PEROXID                 | OR 3050 FKM 80 FD PEROXIDICA      |                          |
| 12     | 11005374  | RES.CALDAIA 230V / 1550W INOX     | HEAT ELEMENT BOILER 230V / 1550W  | RESISTANCE CHAUDIERE 230V / 1550W | HEIZSPIRALE 230V / 1550W            | RESISTENZA CALDAIA 230V / 1550W   |                          |
| 13     | 12000770  | OR ORM 4350 VITON                 | OR ORM 4350 VITON                 | JOINT DE CHAUDIERE 4350 VITON     | O-Ring 4350 Viton                   | OR ORM 4350 VITON                 | solo 120V                |
| 14     | 11012529  | CORPO INFERIORE CALDAIA 600CC TE  | LOWER CASING BOILER 600CC TEA     | CORPS INFERIEUR CHAUDIERE 600cc   | CORPO INFERIORE CALDAIA 600CC TE    | CORPO INFERIORE CALDAIA 600CC TE  |                          |
| 15     | 11027089  | RACCORDO INGRESSO ACQUA TEA       | WATER INLET CONNECTOR             | RACCORD ARRIVEE EAU               | WASSEREINFÜHRUNGSZUSATZ             | RACCORDO INGRESSO ACQUA           |                          |
| 16     | 11025320  | ASS.CALD.600CC DOO CRISTALLO0600  | BOILER ASS. CRISTALLO600 600CC12  | ENSEMBLE CHAUDIERE CRISTALLO600   | Boiler kpl. HS2 TEA 120V            | ASS.CALD.600CC DOO CRISTALLO0600  |                          |
| 17     | 11025321  | PIASTRA SUPPORTO CALDAIA 600CC    | SUPPORT PLATE BOILER 600CC        | ASS. CHAUD.230/50 TEA             | Boiler kpl. HS2 TEA 230V            | ASS.CALD.600CC DOO TEA 230V       |                          |
| 18     | 11068090  | ROSETTA PIANA 5.3X10 UNI 6592 ZN  | PLAIN WASHER 5.3X10 UNI 6592 GAL  | RONDELL 5.3*10 UNI6592 ZN         | Montageplatte Boiler                | ROSETTA PIANA 5.3X10 UNI 6592 ZN  |                          |
| 19     | U207.001  | VITE TE M4,0X10 UNI 5739 ZNP      | screw TE M4,0X10 UNI 5739 GALV.   | VIS TE M4,0X10 UNI 5739 ZNP       | Schlebe A5,3 DIN 125 verz.          | VITE TE M4,0X10 UNI 5739 ZNP      |                          |
| 20     | 11012534  | ELETTROVALVOLA 2/3 VIE N.C.TEA    | TEA ELECTROVALVE 2/3 WAY N.C.     | ELECTROVANNE 2/3 VOIES N.C.TEA    | Elektroventil 2/3 Wege TEA besch    | ELETTROVALVOLA 2/3 VIE N.C.TEA    |                          |
| 21     | 12001052  | VITE TCEI M4,0X6 UNI 5931 8.8 ZI  | SCREW TCEI M4,0X6 DIN 912 ZIN     | VIS TCEI M4,0X6 UNI 5931 ZIN      | Schraube M4X0,6 UNI5931             | VITE TCEI M4,0X6 UNI 5931 8.8 ZI  |                          |
| 22     | 226760100 | MOLLA FERMA 3 TERMOSTATI          | RETAINING SPRING 3 THERMOSTATS    | RESSORT THERMOSTATIQUE            | Thermostathalterer f. 3 Thermo      | MOLLA FERMA 3 TERMOSTATI          |                          |
| 23     | 9991.085  | RONDELLA FERMATERMOSTATI          | THERMOSTAT FIXING WASHER          | RONDELLE DE THERMOSTAT            | Thermostatabschlußring d=15mm       | RONDELLA FERMATERMOSTATI          |                          |
| 24     | NE09.021  | TERMOSTATO 150°NC FASTON 90°      | THERMOSTAT 150°NC FASTON 90°      | HERMOSTAT 150                     | Thermostat 150°C                    | TERMOSTATO 150°NC FASTON 90°      |                          |
| 25     | 189428700 | TERMOSTATO 175° -1NT-15L-5126     | THERMOSTAT 175° -1NT-15L-5126     | THERMOSTAT 175° -1NT-15L-5126     | Thermostat Heizung Office One       | TERMOSTATO 175° -1NT-15L-5126     |                          |
| 26     | U023.020  | VITE TCEI M6X20 UNI 5931 8.8 ZIN  | SCREW TCEI M6X20 UNI 5931 ZIN     | VIS M6X20                         | Zylinderschr. M6x20 DIN 912 verz    | VITE TCEI M6X20 UNI 5931 8.8 ZIN  |                          |
| 27     | NE15.031  | LINGUETTA MASCHIO PIANA 6.3 D.6.  | MALE TONGUE PLAIN 6.3 D.6.3       | LANGUEUETTE DE TERRE 6.3 D.6.3    | Schraube M 6x10 mit Unterlegsche    | LINGUETTA MASCHIO PIANA 6.3 D.6.  |                          |
| 28     | U046.005  | RONDELLA DII ISOLAMENTO           | INSULATION WASHER                 | RONDELLE ISOLANTE                 | Isolierscheibe                      | RONDELLA DII ISOLAMENTO           |                          |
| 29     | 9111.501  | DADO ESAGONALE M6 UNI 5588 ZNP    | nut HEXAGONAL M6 UNI 5588         | ECROU M6 UNI 5588 ZNP             | Haltevitel zu Boiler                | DADO ESAGONALE M6 UNI 5588 ZNP    |                          |
| 30     | U302.004  | RIVETTO A STRAPPO D.3 X 6 INOX    | BLIND RIVETS                      | RIVET D.3 X 6 INOX                | Sechskantmutter M6 DIN 934 verz.    | DADO ESAGONALE M6 UNI 5588 ZNP    |                          |
| 31     | 11005743  | GODRONE FEMMINA M14               | KNURLED FEMALE HAND BOLT M14      | ECROU M14                         | BLIENDNIETE 3X 6                    | GODRONE FEMMINA M14               |                          |
| 32     | U109.037  | VITE AUT.TCB 4.8X13 DIN 7981 C N  | screw AUT.TCB 4.8X13 DIN 7981 C   | VIS AUT.TCB 4.8X13 DIN 7981 C NI  | Anschluß Vorheizung C600            | VITE AUT.TCB 4.8X13 DIN 7981 C N  |                          |
| 33     | 11005370  | PERNO X MANICOTTO                 | PIN FOR MUJFF                     | PIPETTE DE CHAUDIERE              | Ventilzapfen C600                   | PERNO X MANICOTTO                 |                          |
| 34     | 140321462 | OR 2018 SILICONE                  | O-RING 2018 SILICONE              | JOINT 2018                        | O-Ring 2018 Silikon                 | OR 2018 SILICONE                  |                          |
| 35     | 11005741  | BOCCOLA ESTERNA D.6 X GODRONE     | CONNECTOR D.6                     | OGIVE EXTERNE D.6                 | Klemmhülse Vorheizung C600          | BOCCOLA ESTERNA D.6 X GODRONE     |                          |
| 36     | 11013173  | OR ORM 0090-20 FKM 80 FD VERDE P  | OR ORM 0090-20 FKM 80 FD GREEN P  | JOINTS ORM 0090-20 FKM 80 FD VER  | O-Ring 0090-20 FKM 80 FD grün V     | OR ORM 0090-20 FKM 80 FD VERDE P  |                          |
| 37     | U302.001  | DADO ESAGONALE M5 UNI 5588 ZNP    | nut HEXAGONAL M5 UNI 5588         | ECROU M5 UNI 5588 ZNP             | Mutter M5                           | DADO ESAGONALE M5 UNI 5588 ZNP    |                          |
| 38     | U302.003  | DADO ESAGONALE M4 UNI 5588 ZN     | GALV NUT HEXAGONAL M4 UNI 5588 Z  | ECROU HEXAGONAL M4 UNI 5588 ZN    | Mutter M4 UNI 5588 ZN               | DADO ESAGONALE M4 UNI 5588 ZN     |                          |
| 39     | 11013174  | OR ORM 0050-20 FKM 80 FD VERDE P  | OR ORM 0050-20 FKM 80 FD GREEN P  | JOINTS ORM 0050-20 FKM 80 FD VER  | O-Ring 0050-20 FKM 80 FD grün V     | OR ORM 0050-20 FKM 80 FD VERDE P  |                          |
| 40     | 11006046  | PERNO X CALDAIA                   | PEG FOR BOILER                    | PIVOT POUR CHAUDIERE              | SCHRÄUBTUTZEN BOILERHALTERUNG       | PERNO X CALDAIA                   |                          |
| 41     | U044.013  | VITE TSPC M4,0X12 UNI 7688 ZNP    | screw TSPC M4,0X12 UNI 7688 GALV  | VIS M4,0X12 UNI 7688 GALV         | Senkschraube M4x12 DIN 965 verz.    | VITE TSPC M4,0X12 UNI 7688 ZNP    |                          |
| 42     | 20007311  | RIC. EVT S/BOB. EVT HS2 11012534  | SPARE EVT HS2 11012534            | RIC. EVT S/BOB. EVT HS2 11012534  | SPARE EVT HS2 11012534              | RIC. EVT S/BOB. EVT HS2 11012534  |                          |
| 43     | 20007370  | RIC. EVT S/BOB. EVT 11012534      | SPARE EVT 11012534                | ELECTROVANNE SEULE 11012534 HS2   | SPARE EVT 11012534                  | RIC. EVT S/BOB. EVT 11012534      |                          |
| 44     | 20007310  | RIC. CANNOTTO EVT HS2 11012534    | SPARE EVT HS2 11012534            | CHEMINÉE HS2 11012534             | SPARE EVT HS2 11012534              | RIC. CANNOTTO EVT HS2 11012534    |                          |
| 45     | 20007362  | RIC. OR EVT HS2 11012534          | SPARE OR EVT HS2 11012534         | CANAL ELECTROVANNE ODE            | SPARE OR EVT HS2 11012534           | RIC. OR EVT HS2 11012534          |                          |
| 46     | 11030776  | ISOLANTE SUP.CALDAIA 600CC VENDI  | COFFEE BOILER 600CC UPPER ISOLAT  | ISOLANT CHAUDIERE                 | ISOLATION                           | ISOLANTE SUP.CALDAIA 600CC VENDI  |                          |
| 47     | 11030778  | ISOLANTE PERIMETR. CALDAIA 600CC  | COFFEE BOILER 600CC UPPER ISOLAT  | ISOLANT CHAUDIERE                 | ISOLATION                           | ISOLANTE PERIMETR. CALDAIA 600CC  |                          |



| N.POSI | COD          | I - DESCRIZIONE                    | UK - DESCRIPTION                  | F - DESCRIPTION                   | D - BEZEICHNUNG                   | E - DESCRIPCION                    | NOTE |
|--------|--------------|------------------------------------|-----------------------------------|-----------------------------------|-----------------------------------|------------------------------------|------|
| 1      | 11030408     | ASS.GRUPPO CAFFE' 7GR GRAN GUSTO   | BREWING UNIT ASS. 7GR GRAN GUSTO  | GRUPE CAFÉ 7GR GRAN GUSTO         | Brühtgruppe kplrt. GRAN GUSTO     | ASS.GRUPPO CAFFE' 7GR GRAN GUSTO   |      |
| 2      | 11029737     | PROTEZIONE VALVOLA SFIATO GRUPPO   | PROTECTION VALVE                  | PROTECTION VALVE DU GROUPE        | PROTECTION VALVE                  | PROTEZIONE VALVOLA SFIATO GRUPPO   |      |
| 3      | 11029311     | COPERCHIO VALVOLA SFERA            | COVER BALL VALVE                  | VALVE COUVERTURE                  | COVER BALL VALVE                  | COPERCHIO VALVOLA SFERA            |      |
| 4      | 9872.345     | TUBO SILICONE 3,5X9 L.340MM        | SILICONE TUBE 3,5X9 L.340MM       | TUBE SILICONE 3,5X9 L.340MM       |                                   |                                    |      |
| 5      | 11033574     | UGELLO CAFFE' UNIFICATO            | COFFEE NOZZLES                    | COFFEE NOZZLES                    | Düse gefräst                      | UGELLO CAFFE' UNIFICATO            |      |
| 6      | 11030836     | PERNO X FISSAGGIO SUPP.VALVOLA S   | PIN FIXING VALVE SUPPORT          | GOUPILLE FIXATION SUPPORT VALVE   | PERNO X FISSAGGIO SUPP.VALVOLA S  | PERNO X FISSAGGIO SUPP.VALVOLA S   |      |
| 7      | 11029312     | CHIUSURA VALVOLA SFIATO            | BREATHER VALVE CLOSED             | VALVE FERMETURE                   | BREATHER VALVE CLOSED             | CHIUSURA VALVOLA SFIATO            |      |
| 8      | NV01.009     | GOMMINO PARACOLPI                  | RUBBER BUFFER                     | AMORTISSEUR                       | Gummipuffer                       | GOMMINO PARACOLPI                  |      |
| 9      | NM01.029     | OR ORM 0100-15 SILICONE            | OR ORM 0100-15 SILICONE           | JOINT ORM 0100-15 SILICONE        | O-Ring Silikon rot 10x1,6 mm      | OR ORM 0100-15 SILICONE            |      |
| 10     | U109.006     | VITE AUT.TCB 2,2X9,5 DIN 7981 C    | screw AUT.TCB 2,2X9,5 DIN 7981 C  | VIS TCB2.2X9.5DIN7981CNK          | Linsen-Bolzen. 2.2X9.5 DIN 7981   | VITE AUT.TCB 2,2X9,5 DIN 7981 C    |      |
| 11     | 126771918    | MOLLA CONTROPISTON GRUP SMART INOX | SS COFFEE UNIT CONTREPISTON SPR   | RESSORT CONTREPISTON              | Feder zu Kolben Brühtgruppe       | MOLLA CONTROPISTON GRUP SMART INOX |      |
| 12     | 12001811     | SFERA D.4,5 TEFLON X VALVOLA GRU   | SPHERE TEFLON D.4.5               | SPHERE TEFLON D.4.5               | SFERE TEFLON D.4.5                | SFERA D.4.5 TEFLON X VALVOLA GRU   |      |
| 13     | 11029317     | DADO TENUTA CONTROPISTONE MOBILE   | NUT SEAL PISTON MOVABLE           | ECROU DE TENUE CONTREPISTON       | NUT SEAL PISTON MOVABLE           | DADO TENUTA CONTROPISTONE MOBILE   |      |
| 14     | 11029316     | FLANGIA X PISTONE MOBILE           | FLANGE FOR CUPHOLDER              | BRIDE PISTON MOBILE               | FLANGIA X PISTON MOBILE           | FLANGIA X PISTONE MOBILE           |      |
| 15     | 11029308     | MOLLA X CONTROPISTONE MOBILE       | SPRING FOR MOVABLE COUNTERPISTON  | RESSORT CONTRE PISTON             | SPRING FOR MOVABLE COUNTERPISTON  | MOLLA X CONTROPISTONE MOBILE       |      |
| 16     | 129512921    | VITE TCB AB 2,9X13 LAMIERA INOX    | Screw TCB TORX 10 AB 2.9X13 SHEE  | VIS TCB TORX 10 AB 2.9X13 SS      | Schraube 2,9X13                   | VITE TCB AB 2,9X13 LAMIERA INOX    |      |
| 17     | 11010013     | CARTER X MANICOTTO GRUPPO PRERIS   | CARTER FOR MUFF PREHEATING UNIT   | CARTER DE SORTIE PIPEPETTE GROUPE | Abdeckung Kaffeerauslauf          | CARTER X MANICOTTO GRUPPO PRERIS   |      |
| 18     | 11005371     | MANICOTTO GRUPPO CAFFE'            | UNIT COFFEE MUFF                  | PIPEPETTE GROUPE                  | Wasserlaufstützen BG C600         | MANICOTTO GRUPPO CAFFE'            |      |
| 19     | 9111.537.060 | RASCHIATORE GRUPPO CAFFE' MARRONE  | BROWN SCRAPER COFFEE GROUP        | RACLETTE GROUPE CAFE              | Trichter Brühtgruppe              | RASCHIATORE GRUPPO CAFFE' MARRONE  |      |
| 20     | 9111.520     | MOLLA X RASCHIATORE SEZIONE 0,6    | SPRING FOR SCRAPER SECTION 0.6    | RESSORT POUR RACLETTE             | Feder für Abstreifer BG P500N     | MOLLA X RASCHIATORE SEZIONE 0,6    |      |
| 21     | U701.006     | ANELLO ELASTICO 3,2 UNI 7434       | SNAP RING 3,2 UNI 7434            | ANNEAU ELASTIQUE                  | Sicherungsscheibe 6 DIN 6799      | ANELLO ELASTICO 3,2 UNI 7434       |      |
| 22     | 9111.539.060 | FORCELLA PER RASCHIATORE           | FORK FOR SCRAPER                  | FOURCHE POUR RACLETTE             | Gabel zu Trichter                 | FORCELLA PER RASCHIATORE           |      |
| 23     | 9110.067.060 | ASS.RASCHIATORE X SG500/700        | SCRAPER ASS.FOR CAPPUCINAT. TUB   | RACLETTE CCOMPLET                 | Abstreifer kplrt. Brühtgruppe SG  | ASS.RASCHIATORE X SG500/700        |      |
| 24     | U110.013     | VITE AUT.TCB 3,9X6,5 DIN 7981 F    | screw AUT.TCB 3,9X6,5 DIN 7981 F  | VIS.TCB 3,9X6,5 DIN 7981 F NIK    | Schraube 3,9X6,5                  | VITE AUT.TCB 3,9X6,5 DIN 7981 F    |      |
| 25     | 9161.320     | VALVOLA X GRUPPO CAFFE' BIANCA     | VALVE FOR UNIT                    | VALVE DE GROUPE CAFE              | Ventilhalbkugel Brühtgruppe       | VALVOLA X GRUPPO CAFFE' BIANCA     |      |
| 26     | 11029313     | CURSORE COMPENSATORE X VALVOLA S   | CURSOR COMPENSATOR VALVE VENT     | VALVE CURSEUR COMPENSATEUR        | CURSOR COMPENSATORE X VALVOLA S   | CURSORE COMPENSATORE X VALVOLA S   |      |
| 27     | U701.007     | ANELLO ELASTICO 6 UNI 7434         | SNAP RING 6 UNI 7434              | ANNEAU DE SURETE                  | Sicherungsscheibe 6 DIN 7434      | ANELLO ELASTICO 6 UNI 7434         |      |
| 28     | 11029310     | MOLLA COMPENSATRICE X VALVOLA SF   | SPRING FOR RELIEF VALVE           | RESSORT COMPENSATEUR VALVE        | SPRING FOR RELIEF VALVE           | MOLLA COMPENSATRICE X VALVOLA SF   |      |
| 29     | 11029314     | CURSORE X VALVOLA SFIATO           | CURSOR FOR VALVE VENT             | CURSEUR DE VALVE                  | CURSORE X VALVOLA SFIATO          | CURSORE X VALVOLA SFIATO           |      |
| 30     | 140322061    | MOLLA X VALVOLA SFIATO             | SPRING FOR RELIEF VALVE           | RESSORT VALVE                     | SPRING FOR RELIEF VALVE           | MOLLA X VALVOLA SFIATO             |      |
| 31     | 140322061    | OR 4112 EPDM                       | O-RING 4112 EPDM                  | JOINT 4112                        | O-Ring 4112 EPDM                  | OR 4112 EPDM                       |      |
| 32     | 11012630     | DOCCIA ELFO D.34                   | PERCOLATOR D.34                   | GRILLE INFRIERIEUR D.34           | Sieb Brühtgruppe oben d=34        | DOCCIA ELFO D.34                   |      |
| 33     | U044.009     | VITE TSPC M3,0X8 UNI 7688 INOX     | SS SCREW TSPC M3,0X8 UNI 7688     | VIS TSPSCS M3,0X8 UNI 7688        | Schraube M3x8 DIN 965 INOX        | VITE TSPC M3,0X8 UNI 7688 INOX     |      |
| 34     | 140321462    | OR 2018 SILICONE                   | O-RING 2018 SILICONE              | JOINT 2018                        | O-Ring 2018 Silikon               | OR 2018 SILICONE                   |      |
| 35     | 322001201    | RASCHIATORE MOBILE MARRON TYP ST   | MOBILE SCRAPER BROWN NARROW       | RECEPTACLE MOULTURE DIGITAL       | Trichter Brühtgruppe SA, P-Geräte | RASCHIATORE MOBILE MARRON TYP ST   |      |
| 36     | 9161.425     | MOLLA X TRAMOGGIA                  | SPRING FOR SCRAPER                | RESSORT DE TREMIS                 | Federbügel zu Trichter            | MOLLA X TRAMOGGIA                  |      |
| 37     | 129851921    | VITE TSP M3X6 UNI 7688 INOX        | TSP SCREW M3X6 UNI 7688 SS        | VIS TSP M3X6 UNI 7688             | Senkschraube M3x6 DIN 965 INOX    | VITE TSP M3X6 UNI 7688 INOX        |      |
| 38     | 324000200    | DOCCIA AC.INOX D=34 X GRUPPO       | SS PERCOLATOR D=34 FOR UNIT       | GRILLE INFRIERIEUR                | Sieb ø34                          | DOCCIA AC.INOX D=34 X GRUPPO       |      |
| 39     | 222711101    | AS.CONT.CAF.MAC.D=36               | BROWN GROUND COFF. CONTAINER D=36 | CHAMBRE GROUPE CAFE               | Brünkammer braun                  | AS.CONT.CAF.MAC.D=36               |      |
| 40     | 9161.021.060 | CHIAVE X GRUPPO CAFFE' MARRON      | KEY FOR BREW UNIT BROWN           | CLE DE GROUPE CAFE                | Einsteilschlüssel für Brüheinheit | CHIAVE X GRUPPO CAFFE' MARRON      |      |
| 41     | 11012957     | RASATORE X GRUPPO CAFFE' 7-9GR.    | SCRAPER FOR COFFEE UNIT 7-9GR.    | RACLEUR GROUPE 7-9GR              | Bügel Sudabstreifung schwarz Brü  | RASATORE X GRUPPO CAFFE' 7-9GR.    |      |
| 42     | 11030122     | DISTANZIALE X DOSAG.6GR.CONTROPI   | SPACE                             | ENTRETOISE                        | SPACE                             | DISTANZIALE X DOSAG.6GR.CONTROPI   |      |
| 43     | 11029878     | ASS.CONTROPISTONE MOBILE           | ASS.CONTROPISTONE MOBILE          | ENS. CONTREPISTON                 | Kolben kplrt.                     | ASS.CONTROPISTONE MOBILE           |      |
| 44     | 140322500    | OR 2118 GOMMA NITRILICA            | O-RING 2118 NITRIL RUBBER         | JOINT OR 2118 GOMME               | O-Ring 2118                       | OR 2118 GOMMA NITRILICA            |      |
| 45     | 11029879     | ASS.PISTONE X GRUPPO CAFFE'        | ASS.PISTONE X GRUPPO CAFFE'       | ENS. PISTON                       | Kolben kplrt.                     | ASS.PISTONE X GRUPPO CAFFE'        |      |
| 46     | 11030309     | ANELLO X CAMMA PISTONE             | RING FOR CAM                      | ANELLO X CAMMA PISTONE            | RING FOR CAM                      | ANELLO X CAMMA PISTONE             |      |



| N.POSI<br>COD | I - DESCRIZIONE                                 | UK - DESCRIPTION                          | F - DESCRIPTION                            | D - BEZEICHNUNG                  | E - DESCRIPCION                                     |
|---------------|---|---|--|----------------------------------|---|
| 1             | 11001578<br>COPERCHIO CONTENITORE SOLUBILE S    | COVER CONTAINER SINGLE SOLUBLE            | COUVERCLE BAC SOLUBLE SIMPLE               | ABDECKUNG ZU EINZELBEHÄLTER      | COPERCHIO CONTENITORE SOLUBILE S                    |
| 2             | 11001577<br>PROLUNGA CONTENITORE SOLUBILE SI    | EXTENSION CONTAINER SINGLE SOLUB          | RALLONGE DE BAC SIMPLE                     | Erweiterung zu Einzel- Instandbe | PROLUNGA CONTENITORE SOLUBILE SI                    |
| 3             | 11001576<br>BASE CONTENITORE SOLUBILE SINGOL    | BASE CONTAINER SINGLE SOLUBLE             | BAC SOLUBLE                                | Grundträger Einzelbehälter       | BASE CONTENITORE SOLUBILE SINGOL                    |
| 4             | 11001658<br>COCLEA PER DEVIATORE                | SCROLL SCREW                              | VIS SANS FIN                               | Schnecke variabel                | COCLEA PER DEVIATORE                                |
| 5             | NM03.013<br>OR 2.3X15 NBR                       | OR 2.3X15 NBR                             | JOINT T2.3 D 15 NBR                        | O-Ring Verschluss 2.3x15 P7 NBR  | OR 2.3X15 NBR                                       |
| 6             | 11012130<br>OR ORM 0060-10 NBR                  | BACK BUSH REINFORCE<br>OR ORM 0060-10 NBR | DOUILLE RENFORCEE<br>JOINT ORM 0060-10 NBR | Anschlußflansch hinten verstärkt | BOCCOLA POSTERIORE RINFORZATA<br>OR ORM 0060-10 NBR |
| 7             | NM03.022<br>OR ORM 0060-10 NBR                  | SNAP RING 7 UNI 7434                      | RONDELLE 7 UNI 7434                        | O-Ring 0060-10 NBR               | ANELLO ELASTICO 7 UNI 7434                          |
| 8             | U701.003<br>RUOTA CONTENITORE DOPPIO            | WHEEL DOUBLE CONTAINER                    | ROUE DE CONTAINER DOUBLE                   | Sicherungsring ø7 elastisch      | RUOTA CONTENITORE DOPPIO                            |
| 9             | 9111.702<br>ASS.MONTATO CONT.SINGOLO C/DEVIA    | ASSEMBLY SINGLE CONTAINER W/SWIT          | BAC SIMPLE AVEC DEVIATEUR                  | Zahnrad Cristallo                | ASS.MONTATO CONT.SINGOLO C/DEVIA                    |
| 10            | 11004505<br>DISTANZIALE X RUOTA DENTATA BPA     | SPACE FOR GEAR BPA FREE                   | ENTRETOISE ROUE DENTEE                     | Einzelbehälter komplett / linker | DISTANZIALE X RUOTA DENTATA BPA                     |
| 11            | 11032945<br>PERNO RUOTA DENTATA CONT.SOLUB.S    | PIN WHEEL CONTAINER SINGLE SOLUB          | AXE CANNELE                                | Boizen zu Laufrad Produktbehälte | PERNO RUOTA DENTATA CONT.SOLUB.S                    |
| 12            | 11001580<br>BOCCOLA CONTENITORE                 | BUSH CONTAINER                            | EMBOUT BAC PRODUIT                         | Hülse zu Produktbehälter         | BOCCOLA CONTENITORE                                 |
| 13            | 11001654<br>CONDOTTO POLVERE ORIENTABILE        | POWDER DUCT                               | CONDUIT                                    | Verteiler Produktbehält.verstell | CONDOTTO POLVERE ORIENTABILE                        |
| 14            | 9111.425.060<br>BOCCOLA X CONDOTTO DX-SX COSMEC | BUSH FOR LEFT/RIGHT DUCT COSMEC           | BOUCHON CONDUIT                            | Verschluss Pulverausgabe         | BOCCOLA X CONDOTTO DX-SX COSMEC                     |
| 15            | 9111.428.060<br>TAPPO X CONDOTTO DX-SX          | PLUG FOR LEFT-RIGHT DUCT                  | EMBOUT                                     | Abdeckung zu Verteiler Produktbe | TAPPO X CONDOTTO DX-SX                              |
| 16            |   |   |  |                                  |   |

NOTE

solo Gran Gusto

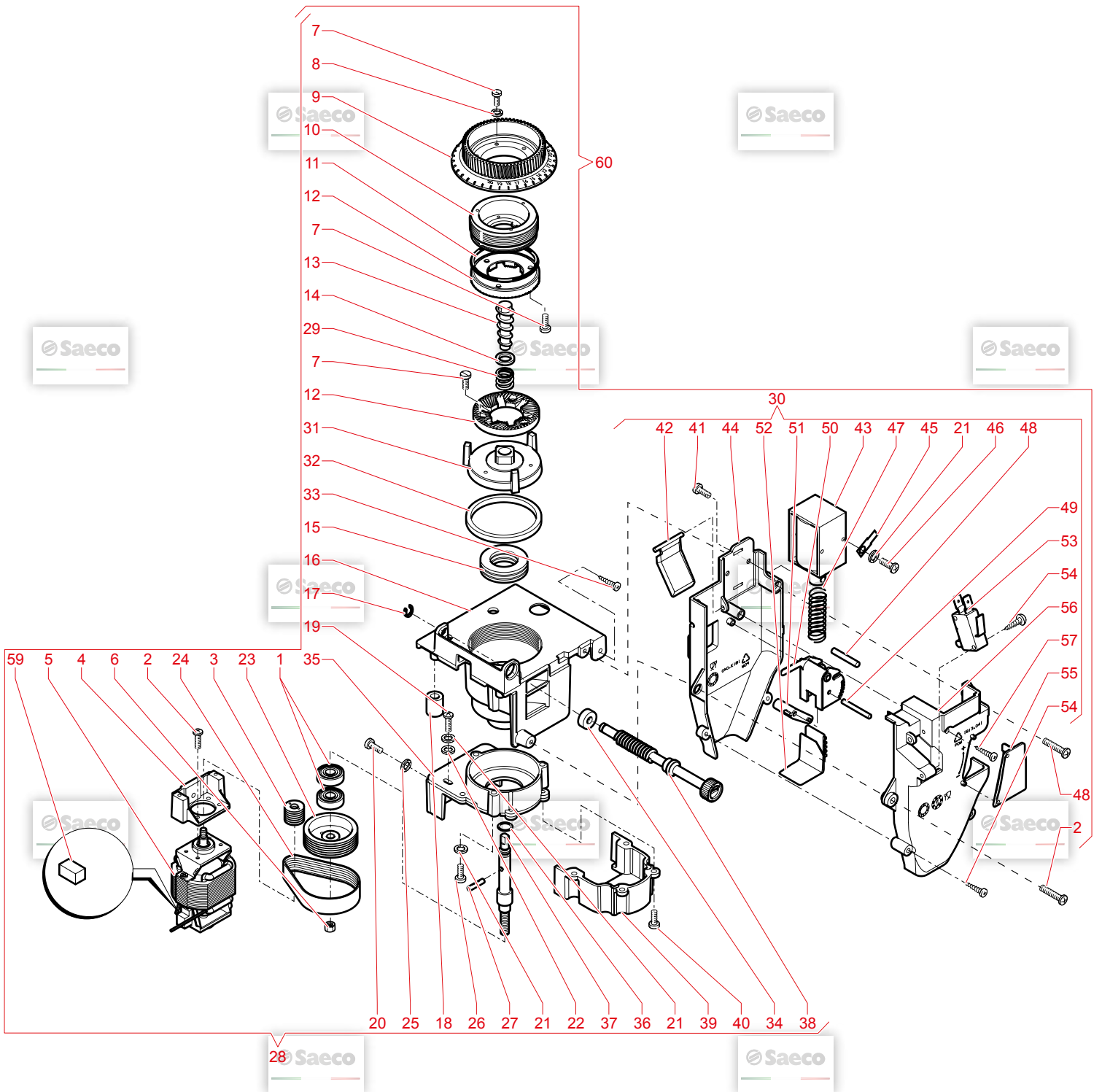
14/01/2019

20

E018.063

Cristallo 400





| N.POSI | COD          | I - DESCRIZIONE                     | UK - DESCRIPTION                                 | F - DESCRIPTION                     | D - BEZEICHNUNG                                     | E - DESCRIPCION                     |
|--------|--------------|-------------------------------------|--|-------------------------------------|---|-------------------------------------|
| 1      | 11025686     | CUSCINETTO RADIALE A SFERE RTP 6    | BEARING RTP 608-22                               | TAMPON RADIAL A SFERE RTP 608-22    | BEARING RTP 608-22                                  | CUSCINETTO RADIALE A SFERE RTP 6    |
| 2      | 12002039     | VITE TCBD M4X12 ZN-B                | SCREW TCBD TORX 20 M4X12 ZN-B                    | VIS TCBD M4X12 ZN-B                 | Schraube 3,5x48x28 TORX                             | VITE TCBD M4X12 ZN-B                |
| 3      | 11025690     | "PULLEY D.15 ""MACINE 48""          | "PULLEY D.15 ""GRIND 48""                        | "POULIE D.15 ""MACINE 48""          | "PULLEY D.15 ""GRIND 48""                           | "PULLEY D.15 ""MACINE 48""          |
| 4      | 11027163     | RAGNO SUPPORTO MOTORE MACINE D.4    | MOTOR SUPPORT GRINDERS D.48                      | SUPPORT MOULIN CAFE                 | MOTOR SUPPORT GRINDERS D.48                         | RAGNO SUPPORTO MOTORE MACINE D.4    |
| 5      | 11027396     | MOTORE MACINACAFFE D.48 230V        | COFFEEGRINDER MOTOR D.48 230V                    | MOTEUR MOULIN D.48 230V             | COFFEEGRINDER MOTOR D.48 230V                       | MOTORE MACINACAFFE D.48 230V        |
| 6      | U310.004     | DADO AUTOBLOC.M6 UNI 7473 ZNP       | nut SELF LOCK.M6 UNI 7473                        | ECROU AUTOBLOC.M6 UNI 7473 ZNP      | Sechskantmutter M6 DIN 985 verz.                    | DADO AUTOBLOC.M6 UNI 7473 ZNP       |
| 7      | U043.007     | VITE TCBC M3,0X8 UNI 7687 ZNP       | screw TCBC M3,0X8 UNI 7687 GALV.                 | VIS TCBC M3,0X8 UNI 7687 ZNP        | Linsenschraube M3x8 DIN 7985 ver                    | VITE TCBC M3,0X8 UNI 7687 ZNP       |
| 8      | U208.002     | ROSETTA DENT. 3,3X5,8 UNI 3703 Z    | TOOTHED WASHER 3,3X5,8 UNI 3703                  | RONDELLE DENT. 3,3X5,8 UNI 3703     | FEDERRING 3,3X5,8                                   | ROSETTA DENT. 3,3X5,8 UNI 3703 Z    |
| 9      | 1813.103.A20 | GHIERA DI REGOLAZIONE MACINE        | RING NUT OF GRIND REGULATION                     | BAGUE DE REGLAGE                    | Einstellung Mahigrad SG200                          | GHIERA DI REGOLAZIONE MACINE        |
| 10     | 11025692     | "PORTA MACINA SUPERIORE ""MACINE 4" | "UPPER GRINDING DISK HOLDER ""GRIN"              | PORTE MEULE SUPERIEURE              | "UPPER GRINDING DISK HOLDER ""GRIN"                 | "PORTA MACINA SUPERIORE ""MACINE 4" |
| 11     | 12001617     | OR 3206 NBR                         | OR 3206 NBR                                      | JOINT 3206                          | O-Ring 3206 NBR                                     | OR 3206 NBR                         |
| 12     | 11021838     | MACINA PIANA D.48                   | FLAT MILL D.48 TEA                               | MEULE D.48 TEA                      | FLAT MILL D.48 TEA                                  | MACINA PIANA D.48 TEA               |
| 13     | 11025695     | "VITE DI INCREMENTO ""MACINE 48""   | "INCREASE SCREW ""GRIND 48""                     | VIS D'ENTRAINEMENT                  | "INCREASE SCREW ""GRIND 48""                        | "VITE DI INCREMENTO ""MACINE 48""   |
| 14     | 11027418     | SPESORE X VITE DI INCREMENTO        | SPACER FOR SCREW OF INCREASE                     | ENTRETOISE POUR VIS DE INCREMENT    | SPACER FOR SCREW OF INCREASE                        | SPESORE X VITE DI INCREMENTO        |
| 15     | 11025699     | CUSCINETTO ASSIALE A SFERE RTP 5    | BEARING RTP 51104                                | TAMPON AXIAL RTP 51104              | BEARING RTP 51104                                   | CUSCINETTO ASSIALE A SFERE RTP 5    |
| 16     | 11027162     | CALOTTA MACINE D.48                 | GRINDERS CAP D.48                                | CLOTTE MOULIN D.48                  | GRINDERS CAP D.48                                   | CALOTTA MACINE D.48                 |
| 17     | U701.011     | ANELLO ELASTICO 5 UNI 7434 ACC.     | STEEL SNAP RING 5 UNI 7434                       | ANNEAU                              | Sicherungsring ø5 elastisch                         | ANELLO ELASTICO 5 UNI 7434 ACC.     |
| 18     | 1813.046.050 | GOMMINO SUPPORTO MACININO           | RUBBER GRIND SUPPORT                             | GOMME SUPPORT MEULE                 | Distanzstummel zu Mahlwerk                          | GOMMINO SUPPORTO MACININO           |
| 19     | 12002052     | VITE TCB M4X16 ZN-B                 | ZN-B TCB SCREW M4X16                             | VIS TCBC M4X16 UNI 7687 ZNP         | LINSEN BLECHSCHR. M4,0X16                           | VITE TCB M4X16 ZN-B                 |
| 20     | U023.004     | VITE TCEI M6,0X12 UNI 5931 ZIN      | screw TCEI M6,0X12 UNI 5931 GALV                 | VIS TCEI M6,0X12 UNI 5931 ZIN       | Schraube M6x12 UNI 5931 GALV.                       | VITE TCEI M6,0X12 UNI 5931 ZIN      |
| 21     | 128310404    | ROSETTA UNI 8842 A4 BRUNITA         | WASHER UNI 8842 A4 BURNISHED                     | RONDELLE UNI 8842 A4                | Fächerschleibe A4,3 DIN 6798 verz                   | ROSETTA UNI 8842 A4 BRUNITA         |
| 22     | U207.004     | ROSETTA PIANA 4,3X16 UNI 6592 ZN    | PLAIN WASHER 4,3X16 UNI 6592 GAL                 | RONDELL 4,3*16 UNI6592ZNP           | Unterlagscheibe 4,3x16 UNI 5931                     | ROSETTA PIANA 4,3X16 UNI 6592 ZN    |
| 23     | 11025689     | "PULLEGGIA D.40 ""MACINE 48""       | "PULLEY D.40 ""GRIND 48""                        | "POULIE D.40 ""MACINE 48""          | "PULLEY D.40 ""GRIND 48""                           | "PULLEGGIA D.40 ""MACINE 48""       |
| 24     | 11032130     | CINGHIA MULTITRAPEZOIDALE ELASTI    | BELT GRINDER COFFEE                              | COURROIE MULTITRAPEZOIDALE          | BELT GRINDER COFFEE                                 | CINGHIA MULTITRAPEZOIDALE ELASTI    |
| 25     | U208.006     | ROSETTA DENT. 6,4X11 UNI 3703 BR    | TOOTHED WASHER 6,4X11 UNI 3703                   | RONDELLE 6,4X11                     | Zahnschleibe ø6,4x11                                | ROSETTA DENT. 6,4X11 UNI 3703 BR    |
| 26     | 12001700     | VITE TCB M4X30 UNI 7687 ZNP         | SCREW TCB M4X30 UNI 7687 ZNP                     | VIS TCB M4X30 UNI 7687 ZNP          | Schraube TCB M4X30 UNI 7687 ZNP                     | VITE TCB M4X30 UNI 7687 ZNP         |
| 27     | U1025921     | SPINA CINTAGLI CENT UNI-EN 2874     | POWER PLUG UNI-EN 28743 D.3X14                   | RIVET UNI-EN 28743 D.3X14           | POWER PLUG UNI-EN 28743 D.3X14                      | SPINA CINTAGLI CENT UNI-EN 2874     |
| 28     | 11027165     | ASS.MACINACAFFE D.48                | COFFEE GRINDER D.48                              | ASS.MOULIN A CAFE D.48              | COFFEE GRINDER D.48                                 | ASS.MACINACAFFE D.48                |
| 29     | 11025694     | "MOLLA ""MACINE 48""                | "SPRING ""GRIND 48""                             | "RESSORT ""MACINE 48""              | "SPRING ""GRIND 48""                                | "MOLLA ""MACINE 48""                |
| 30     | 11033675     | ASS.DOSATORE CRISTALLO LAVORATO     | DOSEUR   | DOSEUR                              | Dosierer  | ASS.DOSATORE CRISTALLO LAVORATO     |
| 31     | 1813.A10.A2N | ASS.DOSATORE 6-11 GR. 220V 60HZ     | DOSEUR ASS. 6-11 GR. 220V 60HZ                   | DOSEUR                              | Dosierer kpl. 6-11g / 220V 60Hz                     | ASS.DOSATORE 6-11 GR. 220V 60HZ     |
| 32     | 11025691     | "PORTA MACINA INFERIORE ""MACINE 4" | "LOWER GRINDING DISK HOLDER ""GRIN"              | "PORTE MEULE INFERIEURE ""MACINE 4" | "LOWER GRINDING DISK HOLDER ""GRIN"                 | "PORTA MACINA INFERIORE ""MACINE 4" |
| 33     | 11027451     | ANELLO DE=47,4 DI=41,4H=4 IN FEL    | FELT RING DE=47,4 DI=41,4H=4                     | ANNEAU FEUTRE                       | FELT RING DE=47,4 DI=41,4H=4                        | ANELLO DE=47,4 DI=41,4H=4 IN FEL    |
| 34     | U116.006     | VITE AUT.PTT TCB 3,5X12 WN 1441 Z   | SCREW AUT.PTT TCB 3,5X12 WN 1441                 | VIS AUTOPT TCB 3,5X12               | Linsen-Schraube 3,5x12 WN1441ZNP                    | VITE AUT.PTT TCB 3,5X12 WN 1441 Z   |
| 35     | 1813.159     | GOMMINO ANTIVIBRAZIONE              | ANTIVIBRATION RUBBER                             | SILENT BLOC                         | Schwingungsdämpfer aus Gummi                        | GOMMINO ANTIVIBRAZIONE              |
| 36     | 140321662    | GUSCIO SUPPORTO MOTORE MACINE D.    | MOTOR SUPPORT GRINDERS D.48                      | COQUE SUPPORT MOTEUR                | MOTOR SUPPORT GRINDERS D.48                         | GUSCIO SUPPORTO MOTORE MACINE D.    |
| 37     | 11025693     | OR 2021 SILICONE                    | O-RING 2021 SILICONE                             | JOINT OR 2021                       | O-Ring 2021 Silicon                                 | OR 2021 SILICONE                    |
| 38     | 1813.104.A20 | "PERNO CENTRALE ""MACINE 48""       | "CENTRAL PIN ""GRIND 48""                        | PIVOT CENTRAL                       | "CENTRAL PIN ""GRIND 48""                           | "PERNO CENTRALE ""MACINE 48""       |
| 39     | 11027186     | VITE REGOLAZIONE MACININO           | ADJUSTMENT SCREW WITH TUBE HOLDE                 | VIS DE REGLAGE                      | Gewindestift zu Mahlwerk kpl.                       | VITE REGOLAZIONE MACININO           |
| 40     | U127.010     | GUSCIO CHIUSURA CINGHIA             | SHELL CLOSURE BELT                               | FERMETURE BANDE                     | Schraube selbsts. M4X10 DIN7500                     | GUSCIO CHIUSURA CINGHIA             |
| 41     | 12002151     | VITE TAPT.TCB M4,0X10 DIN 7500C     | screw TAPT.TCB M4,0X10 DIN 7500C                 | VIS TAPT.TCB M4,0X10 DIN 7500C      | Senkschraube M3x4 DIN 965 INOX                      | VITE TAPT.TCB M4,0X10 DIN 7500C     |
| 42     | 1813.042.A20 | VITE TSP M3X4 UNI 7688 INOX         | TSP SCREW M3X4 UNI 7688 SS                       | VIS TSP M3X4 UNI 7688               | Klapppe zu Dosierer                                 | VITE TSP M3X4 UNI 7688 INOX         |
| 43     | 9121.235.00A | PALETTA DOSATORE                    | DISPENSER PALLET                                 | PALETTE DOSEUR                      | Elektromagnet Dosierer 230V mit Gehäuse zu Dosierer | PALETTA DOSATORE                    |
| 44     | 11033683     | ELETTROM. PER DOSATORE CON NUCLE    | ELECTROMAGNET FOR DISPENSER WITH DISPENSER SHELL | CARTER DE DOSEUR                    | Elektromagnet Dosierer 230V mit Gehäuse zu Dosierer | ELETTROM. PER DOSATORE CON NUCLE    |
| 45     | NE15.003     | GUSCIO DOSATORE 1813.040.A20 LAV    | MALE TONGUE PLAIN 6,3 D.5,2                      | LANGUETTE 6,3 D.5,2                 | Schutzleiteranschluss zu Schraube                   | GUSCIO DOSATORE 1813.040.A20 LAV    |
| 46     | 129821402    | LINGUETTA MASCHIO PIANA 6,3 D.5,    | TCB SCREW M3X4 UNI 7687 ZNP                      | TCB SCREW M3X4 UNI 7687 ZNP         | Blechschrabe TCB M3X4 UNI 7687                      | LINGUETTA MASCHIO PIANA 6,3 D.5,    |
| 47     | 1813.127     | VITE TCB M3X4 UNI 7687 ZNP          | SPRING FOR ELECTROMAGNET                         | RESSORT ELECTROAIMANT               | Feder zu Elektromagnet Dosierer                     | VITE TCB M3X4 UNI 7687 ZNP          |
| 48     | 1813.092     | MOLLA X ELETTROMAGNETE DOSATORE     | PIN  | AXE ELECTROAIMANT                   | Perno a elettromagnete                              | MOLLA X ELETTROMAGNETE DOSATORE     |
| 49     | 1813.091     | PERNO X REGOLATORE DOSATORE         | PIN FOR DISPENSER REGULATION                     | DOSEUR                              | Einsteilvorrichtung zu Dosierer                     | PERNO X REGOLATORE DOSATORE         |
| 50     | 1813.043.A20 | REGOLATORE DOSATORE                 | ADJUSTMENT LEVER                                 | LEVIER D'AJUSTEMENT                 | LEVA REGOLAZIONE                                    | REGOLATORE DOSATORE                 |
| 51     | 1813.078.A20 | LEVA REGOLAZIONE                    | PALLET FOR REGULATION                            | PLAQUE                              | Trichter zur Einsteilvorrichtung                    | LEVA REGOLAZIONE                    |
| 52     | 1813.044.A20 | PALETTA X REGOLATORE                | MICROSWITCH + WHEEL                              | MICROCONTACT                        | Mikroschalter zu Schwimmer                          | PALETTA X REGOLATORE                |
| 53     | NE05.062     | MICROINTERRUTTORE C/ROTELLA         | screw AUT.PTT TCB 3,0X16 WN 1441                 | VIS AUT.PTT TCB 3,0X16              | Spax-Schraube 3x16 DIN 7981 verz                    | MICROINTERRUTTORE C/ROTELLA         |
| 54     | U116.004     | VITE AUT.PTT TCB 3,0X16 WN 1441 Z   | DISPENSER COVER                                  | COUVERCLE DOSEUR                    | Abdeckung zu Dosierer                               | VITE AUT.PTT TCB 3,0X16 WN 1441 Z   |
| 55     | 1813.191.A20 | COPERTURA DOSATORE                  | OUTSIDE SHELL DISPENSER                          | CARTER EXTERIEUR DE DOSEUR          | Gehäuse zu Dosierer extern                          | COPERTURA DOSATORE                  |
| 56     | 11033684     | GUSCIO EST.DOSATORE 1813.041.A20    | SCREW AUT.TCB 2,9X25 DIN 7981 C                  | VIS TCB3,9X25 DIN7981C NIK          | Schraube 2,9x25 DIN7981 NIK                         | GUSCIO EST.DOSATORE 1813.041.A20    |
| 57     | 12000390     | VITE AUT.TCB 2,9X25 DIN 7981 C N    | TCB SCREW M4X25 UNI 7687 ZNP                     | VIS TCB M4X25 UNI 7687 ZNP          | Linsenschraube M4x25 DIN 7985 ve                    | VITE AUT.TCB 2,9X25 DIN 7981 C N    |
| 58     | 129825502    | VITE TCB M4X25 UNI 7687 ZNP         | MOTOR BRUSH                                      | BROCHE DE MOTEUR                    | Kohle Mahlwerkmotor                                 | VITE TCB M4X25 UNI 7687 ZNP         |
| 59     | 20007420     | SPAZZOLA MOTORE MACINACAFFE' NEW    | COFFEE GRINDER D.48+DISPENSER 22                 | COFFEE GRINDER D.48+DISPENSER 22    | COFFEE GRINDER D.48+DISPENSER 22                    | SPAZZOLA MOTORE MACINACAFFE' NEW    |
| 60     | 11033678     | ASS.MACINACAFFE' D.48+DOSATORE C    | COFFEE GRINDER D.48 + DISPENSER                  | COFFEE GRINDER D.48 + DISPENSER     | COFFEE GRINDER D.48 + DISPENSER                     | ASS.MACINACAFFE' D.48+DOSATORE C    |



NOTE

Gran Guscio

© by Saeco, a company of Evoca Group - GAGGIO MONTANO

E018.063

14/01/2019

21

Cristallo 400



Il Costruttore si riserva il diritto di modificare, senza preavviso, le caratteristiche delle apparecchiature presentate in questa pubblicazione; declina inoltre ogni responsabilità per le eventuali inesattezze imputabili ad errori di stampa e/o trascrizione contenute nella stessa.

Le istruzioni, i disegni, le tabelle e le informazioni in genere contenute nel presente fascicolo sono di natura riservata e non possono essere riprodotte ne completamente ne parzialmente od essere comunicate a terzi senza l'autorizzazione scritta del Costruttore che ne ha la proprietà esclusiva.

The manufacturer reserves the right to modify, without prior notice, the characteristics of the equipment described in this publication; and further declines to accept any responsibility for any inaccuracies contained in this publication which can be ascribed to printing and/or transcription errors.

All instructions, drawings, tables and information contained in this publication are confidential and can neither be reproduced, completely or in part, nor be transmitted to third parties without the written permit of the Manufacturer, who has the sole ownership.

Le fabricant se réserve le droit de modifier, sans préavis, les caractéristiques des appareils présentes dans cette publication; en outre, elle decline toute responsabilité pour d'éventuelles inexactitudes imputables à des erreurs d'impression et/ou de transcription.

Tous droits de reproduction, complète ou partielle, des instructions, des dessins, des tableaux et de toutes les informations contenues dans cette publication sont réservés. Aucune communication à un tiers ne peut être faite sans une autorisation par écrit du Constructeur qui en a la propriété exclusive.

Der Hersteller behält sich das Recht vor, die Eigenschaften der hier beschriebenen Geräte ohne Voranzeige zu ändern und lehnt gleichzeitig jede Verantwortung für mögliche Unrichtigkeiten ab, die auf Druckfehler oder Abschreibfehler zurückzuführen sind.

Alle Anweisungen, Zeichnungen, Tabellen und Informationen, die im allgemeinen im vorliegenden Band enthalten sind, müssen als vertraulich betrachtet werden und können weder teilweise noch vollständig reproduziert bzw an Dritte ohne die schriftliche Ermächtigung des Herstellers weitergegeben werden, der das Alleineigentum besitzt.

El Constructorse reserva el derecho de modificar, sin previo aviso, las características de los aparatos presentados en esta publicación; además declina toda responsabilidad por los eventuales inexactitudes imputables a errores de imprenta y/o transcripción contenidos en la misma.

Las introducciones, los dibujos, las tablas y las informaciones en general contenidos en este fascículo son de tipo reservado y no se pueden reproducir, completamente o en parte, ni comunicar a terceros si la autorización escrita del Fabricante, el cual tiene la propiedad exclusiva.

