

Aulika Focus EVO

230V - 60Hz
240V - 50Hz
120V - 60 Hz

IT Italiano
EN English
FR Français
DE Deutsch
ES Español



(IT)

SOMMARIO

Tav. 01	Telaio / Estetica
Tav. 02	Componenti erogazione
Tav. 03	Impianto elettrico
Tav. 04	Elettrovalvole/Caldiaie
Tav. 05	Circuito Idrraulico
Tav. 06	Coperchio superiore/Contentitori
Tav. 07	Macinacaffè
Tav. 08	Motoriduttore
Tav. 09	Gruppo caffè
Tav. 10	Kits macchina

(EN)

INDEX

	Frame / aesthetics
	Dispensing components
	Electric system
	Solenoid Valves/Boilers
	Hydraulic System
	Top cover/Containers
	Grinder
	Gearmotor
	Coffee Group
	Kits Coffee machine

(FR)

INDEX

	Cadre / esthétique
	Distribution composants
	Installation électrique
	Electrovannes/Chaudières
	Circuit hydraulique
	Couverture supérieure/Conteneurs
	Moulin à café
	Motoréducteur
	Groupe de café
	Kits machine à café

(DE)

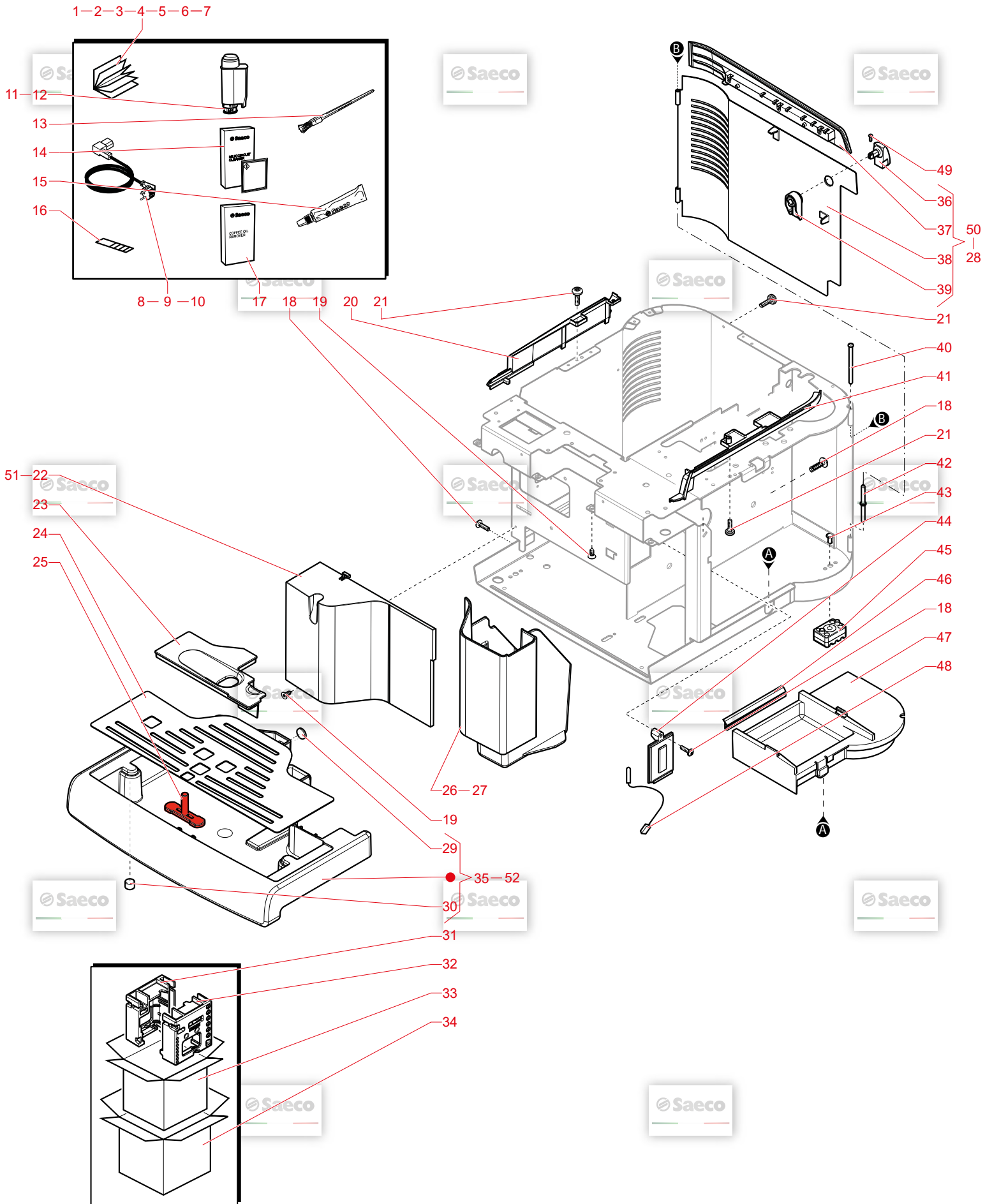
VERZEICHNIS

	Rahmen / Ästhetik
	Lieferbestandteile
	Schaltbrett
	Solenoidventile/Kessel
	Wasser Leitung
	Obere Abdeckung/Behälter
	Kaffeemühle
	Getriebemotor
	Kaffeegruppe
	Kit Kaffeemaschine

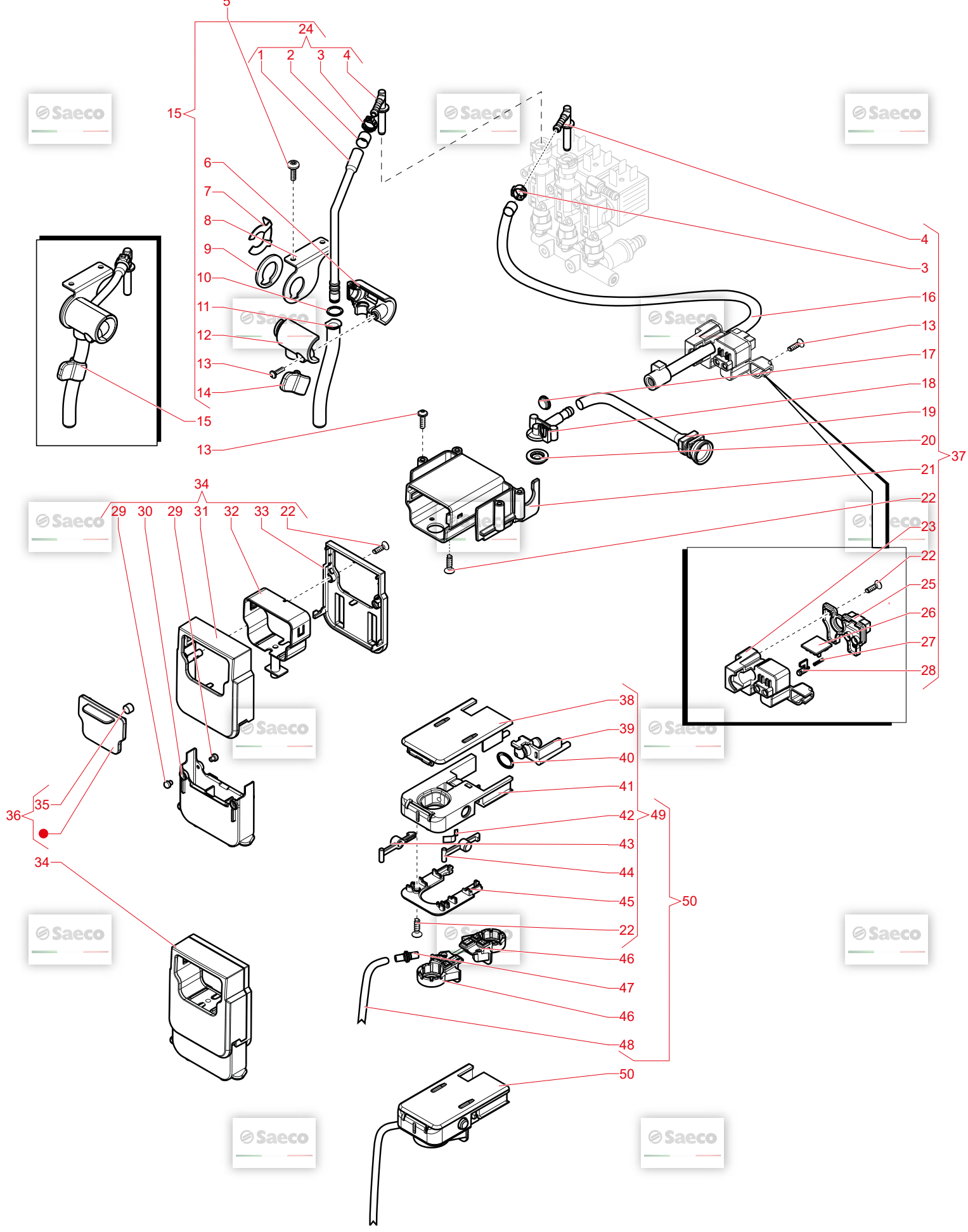
(ES)

INDICE

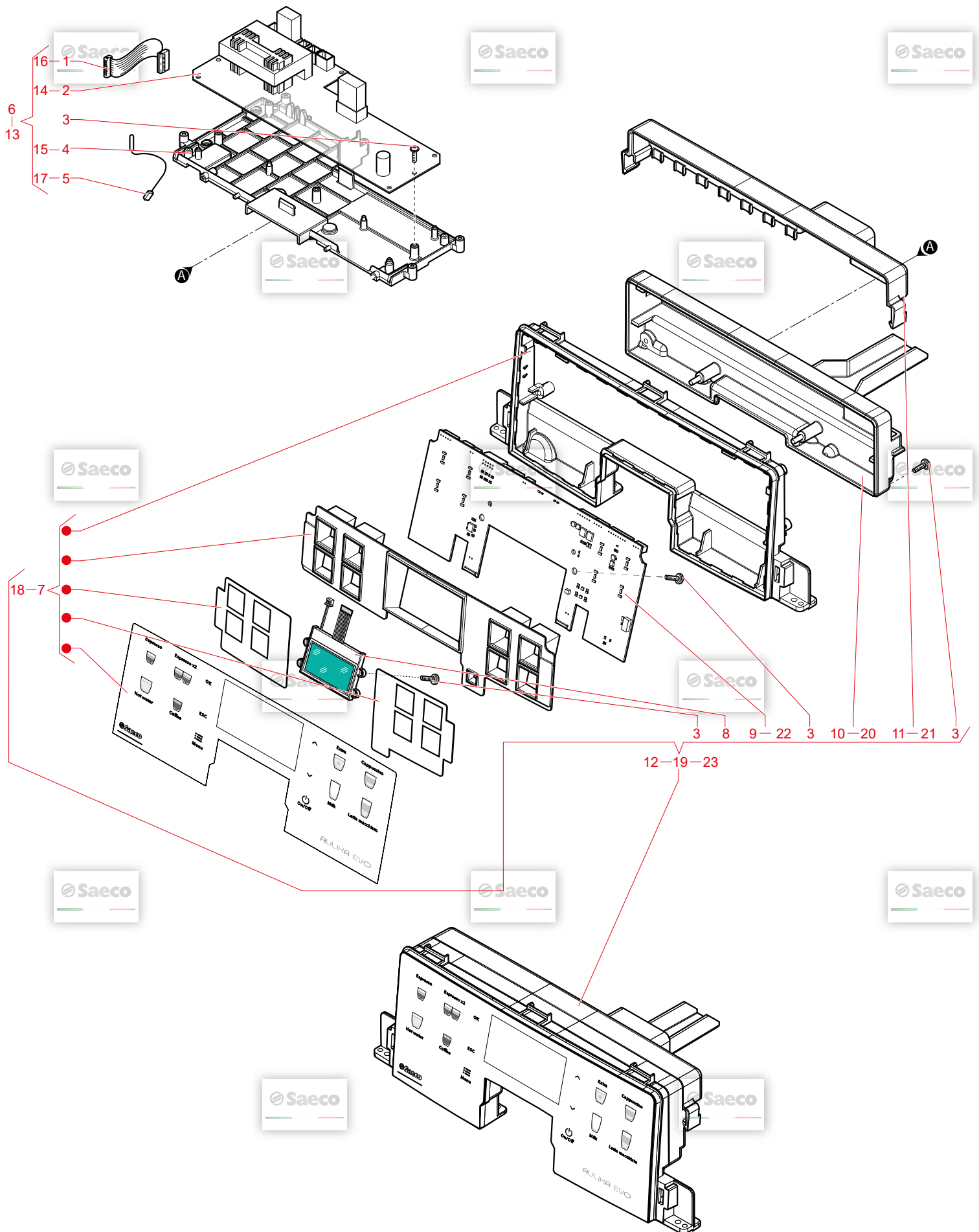
	Marco / estética
	Dispensación componentes
	Instalacion eléctrica
	Válvula de solenoide/Calderas
	Circuito idráulico
	Cubierta superior/Contenedores
	Molinillo de café
	Motorreductor
	Grupo de café
	Kits máquina de café



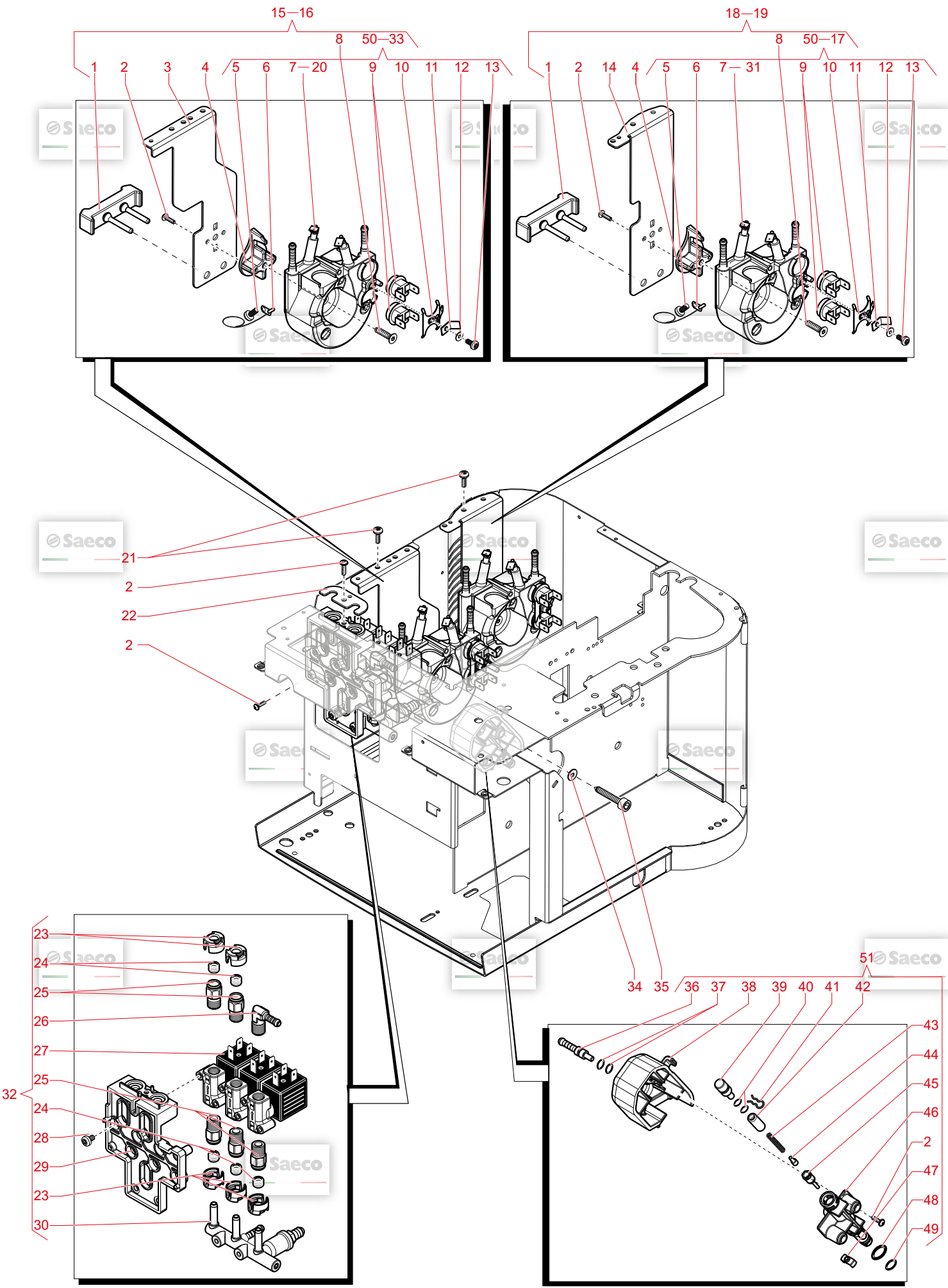
N.POSI	COD	I - DESCRIZIONE	UK - DESCRIPTION	F - DESCRIPTION	D - BEZEICHNUNG	E - DESCRIPCION	NOTE
1	263188	LIB.IST.SAE RYL EVO FOCUS IT	BLACK POWER CABLE SCHUIKO L=1200	CABLE ALIMENTATION	NETZANSCHLUßKABEL	CAVO AL SCH.3X1 H05VV-F NER.L=12	120V
2	263189	LIB.IST.SAE RYL EVO FOCUS GB	POWER CABLE S.JT3 USA BLACK UL L=	NON DISPONIBILE POUR LA FRANCE ET	Netz kabel schwarz USA L=1200 mm	CAVO AL USA SJT3 UL 16AWG NERO L	120V
3	263190	LIB.IST.SAE RYL EVO FOCUS FR	ACC MAVEA WATER FILTER 1UNIT(100	FLITRE BRITA INTENZA 1 UNITE (10	ACC MAVEA WATER FILTER 1UNIT(100	ACC MAVEA WATER FILTER 1UNIT(100	
4	263191	LIB.IST.SAE RYL EVO FOCUS DE	ACC BRITA WATER FILTER 1UNIT (10	PINCEAU	ACC BRITA WATER FILTER 1UNIT (10	ACC BRITA WATER FILTER 1UNIT (10	
5	263192	LIB.IST.SAE RYL EVO FOCUS ES	BRUSH FOR CLEANING	PASTILLE NETTOYAGE CIRCUIT LAIT	Reinigungsinsel	PENNELLO PER PULIZIA	
6	263199	LIB.IST.SAE EVO USA RYLJF ENG	ACC MILK CLEAN.POW.1U DISPL.CORE	TUBE DE GRAISSE SILICONE 5GR.	KLUBERLUB NH1 11-222 TUBE 5GR.	ACC MILK CLEAN.POW.1U DISPL.CORE	
7	183911050	CAVO AL SCH.3X1 H05VV-F NER.L=1	STICKER FOR WATER HARDNESS TEST	TEST DE DURETE D'EAU	Teststreifen Für Wasserhärte	TUBETTO GRASSO DI LUBRIFICAZIONE	
8	263200	CAVO AL USA SJT3 UL 16AWG NERO	ACC COF.OIL REMOVER 1UNIT CORE+W	ACC COF.OIL REMOVER 1UNIT CORE+W	TORXSCHRAUBE 3.5X12	STICKER TEST DUREZZA ACQUA	
9	637814600	ACC MAVEA WATER FILTER 1UNIT(1	SCREW TSP TORX 10 AB 3.5X9.5 SHE	VIS TSP 3.5X9.5	Senkkopfschraube 3,5 x 9,5	ACC COF.OIL REMOVER 1UNIT CORE+W	
10	21002661	CAVO AL USA SJT3 UL 16AWG NERO	BLK CASING LEFT CLOSING INSERT R	VIS TCB B 3.5X9.5 LAMIERA ZN-N	TORXSCHRAUBE 3,5X9,5	VITE TCB R 3.5X12 PLAST.ZN-N	
11	21002660	ACC BRITA WATER FILTER 1UNIT (10	SCREW TCB TORX B 3.5X9.5 SCHEET	COUVERGLE BAC EGOUTTEMENT	Deckel sz Abtropfschale New Roya	VITE TCB R 3.5X12 PLAST.ZN-N	
12	127309100	PENNELLO PER PULIZIA	BLACK DRIP TRAY COVER RYL	GRILLE BAC RECUPERATION EAU INOX	Abtropfgitter INOX	VITE TSP 3.5X9.5 DIN7982 TORX IN	
13	12000450	ACC MILK CLEAN.POW.1U DISPL.CO	BA/SS DRIP TRAY GRATE RYL/T	FLOTTEUR BAC EAU USEES ROUGE	RED FLOAT V2 FOR DRIP TRAY RYL	VITE TCB R 3.5X9.5 LAMIERA ZN-N	
14	4219460017941	TUBETTO GRASSO DI LUBRIFICAZIO	UNPAINTED DUMP BOX RYL ASSY.	AS.CAS.FONDI RYL NER.DIVERN.	AS.CAS.FONDI RYL NER.DIVERN.	INS.CHIUSSURA SX.BLK.CARC. RYLOE	
15	0301_961	STICKER TEST DUREZZA ACQUA	MAGNET D=9.5 X H=1.5	AIMANT BAC A MARC MAGIC	MAGNET	INS.CHIUSSURA SX.BLK.CARC. RYLOE	
16	21002663	ACC COF.OIL REMOVER 1UNIT CORE	MAGNET FOR FLOAT SUPERAUT.	FLOTTEUR MAGNETIQUE	Magnetscheibe d=9,5mm h=1,5mm	VITE TCB B 3.5X9.5 LAMIERA ZN-N	
17	12000450	VITE TCB R 3.5X12 PLAST.ZN-N	WHITE BOX RYL/T SAE ROYAL ONE TO	CARTON D'EMBALLAGE	WHITE BOX RYL/T SAE ROYAL ONE TO	VITE TCB R 3.5X9.5 LAMIERA ZN-N	
18	129535721	VITE TSP 3.5X9.5 DIN7982 TORX	UNPAINTED DRIP TRAY RYL ASSY.V2	7015/GREY DOOR CLOSURE KNOB	Verschluß Türe ROCL grau	VITE TCB R 3.5X9.5 LAMIERA ZN-N	
19	1036714	INS.CHIUSSURA SX.BLK.CARC. RYLO	BLK CASING CLOSING INSERT RYL/E	BLK CASING CLOSING INSERT RYL/E	BLK CASING CLOSING INSERT RYL/E	VITE TCB R 3.5X9.5 LAMIERA ZN-N	
20	12001622	VITE TCB B 3.5X9.5 LAMIERA ZN-	GREY DOOR CLOSURE LEVER	CLANCHE PORTILLON GRISE	Verschlußriegel grau	VITE TCB R 3.5X9.5 LAMIERA ZN-N	
21	263181	COPANT.CARC.RYLJF V.NER 5VA	NIK/BRASS PIN FOR DOOR SUPERAUT.	AXE DE PORTE	Scharnierbolzen oben	VITE TCB R 3.5X9.5 LAMIERA ZN-N	
22	263187	COP.VASCA REC.ACQ.RYL NER.	BLK CASING RIGHT CLOSING INSERT	AXE DE PORTE	Scharnierbolzen unten	VITE TCB R 3.5X9.5 LAMIERA ZN-N	
23	17000982	GRIGLIA VASCA REC.ACQ.RYL/T IN	BLACK RIGID FOOT FIXING PIN MYB9	PIVOT DE FIXATION PIED	Fixierungsnase Gehäusesfuß	VITE TCB R 3.5X9.5 LAMIERA ZN-N	
24	17000183	GALLEG.VASCA REC.ACQ.V2 RYL RO	GREY MOUNTING PLATE INSERT RYL	INSERT PLAQUE DE MONTAGE	GREY MOUNTING PLATE INSERT RYL	VITE TCB R 3.5X9.5 LAMIERA ZN-N	
25	17000991	GALLEG.VASCA REC.ACQ.V2 RYL RO	BLK CANN DUMP BOX REED SENS.V2 RY	PIED RIGIDE	Gehäusesfuß	VITE TCB R 3.5X9.5 LAMIERA ZN-N	
26	11031200	AS.CAS.FONDI RYL NER.DIVERN.	SEAL FOR UNIT PLATE	GARNITURE GROUPE CAFE	Dichtung Brühgruppenschale MA. R	VITE TCB R 3.5X9.5 LAMIERA ZN-N	
27	263182	AS.CAS.FONDI 5VA RYL VNER.	GREY BREW UNIT SUPPORT PLATE ROY	PLAQ.GROUPE CAFE GRISE	Schublade Brühgruppe MA. RO	VITE TCB R 3.5X9.5 LAMIERA ZN-N	
28	9991_093	AS.SPORT.CARC.RYLJF ACC.NER.	3P CONN DUMP BOX REED SENS.V2 RY	CONNECTEURS 3 POLES	3P.CONN.DUMP BOX REED SENS.V2 RY	VITE TCB R 3.5X9.5 LAMIERA ZN-N	
29	9161_111	MAGNETE D=9.5 X H=1.5	NAIL 2X6 UNI 7591 BURN.	RIVET	Niete 2X6	VITE TCB R 3.5X9.5 LAMIERA ZN-N	
30	9161_111	MAGNETE X GALLEGGIANTE SUPERAU	UNPAINTBLK FRONT CASING COVER R			VITE TCB R 3.5X9.5 LAMIERA ZN-N	
31	263187	INS.SX SCATOLA RYL EVOJF PS-E				VITE TCB R 3.5X9.5 LAMIERA ZN-N	
32	263186	INS.DX SCATOLA RYL EVOJF PS-E				VITE TCB R 3.5X9.5 LAMIERA ZN-N	
33	13001640	SCAT.BIA.RYL/T SAE ROYAL ONE T				VITE TCB R 3.5X9.5 LAMIERA ZN-N	
34	263185	SCATEST.AULIKA EVO FOC/BLK				VITE TCB R 3.5X9.5 LAMIERA ZN-N	
35	11036904	AS.VASCA REC.ACQ.RYL NER.DIVER				VITE TCB R 3.5X9.5 LAMIERA ZN-N	
36	0301_039.710	POM.CHIUSSURA SPORT.GRI/7015				VITE TCB R 3.5X9.5 LAMIERA ZN-N	
37	11036713	INS.SPORTELLO BLK RYLE				VITE TCB R 3.5X9.5 LAMIERA ZN-N	
38	263170	SPORT.CAR.RYLJF ACC.VER.NER.				VITE TCB R 3.5X9.5 LAMIERA ZN-N	
39	0301_040.150	LEVA CHIUSSURA SPORT.GRI.				VITE TCB R 3.5X9.5 LAMIERA ZN-N	
40	0301_019	SPINA SPORT.SUPERAUT.OT/NIK				VITE TCB R 3.5X9.5 LAMIERA ZN-N	
41	11036715	INS.CHIUSSURA DX.BLK.CARC. RYLO				VITE TCB R 3.5X9.5 LAMIERA ZN-N	
42	0301_020	SPINA SPORT.SUPERAUT.OT/NIK				VITE TCB R 3.5X9.5 LAMIERA ZN-N	
43	11021769	PERNO FISSAG.PIEDINO RIGIDO MY				VITE TCB R 3.5X9.5 LAMIERA ZN-N	
44	17000240	INS.PIAS.MONTAG.RYL.GRI.				VITE TCB R 3.5X9.5 LAMIERA ZN-N	
45	11021829	PIEDINO RIGIDO MYB9 NER/TRASP.				VITE TCB R 3.5X9.5 LAMIERA ZN-N	
46	9161_140	GUARNIZIONE X PIASTRA GRUPPO				VITE TCB R 3.5X9.5 LAMIERA ZN-N	
47	0301_041.150	PIAS.SUPP.GRUP.ROYAL.GRI.				VITE TCB R 3.5X9.5 LAMIERA ZN-N	
48	421946004691	AS.CONN.3P.SENS.REED.CAS.FOND.				VITE TCB R 3.5X9.5 LAMIERA ZN-N	
49	U433.001	CHIODO 2X6 UNI 7591 BRU				VITE TCB R 3.5X9.5 LAMIERA ZN-N	
50	263210	AS.SPORT.CARC.RYLJF USA. NER				VITE TCB R 3.5X9.5 LAMIERA ZN-N	
51	421944011841	COPANT.CARC.RYL/T NER.DIVERN.				VITE TCB R 3.5X9.5 LAMIERA ZN-N	
52	263179	AS.VASCA REC.ACQ.RYL VNER/L				VITE TCB R 3.5X9.5 LAMIERA ZN-N	



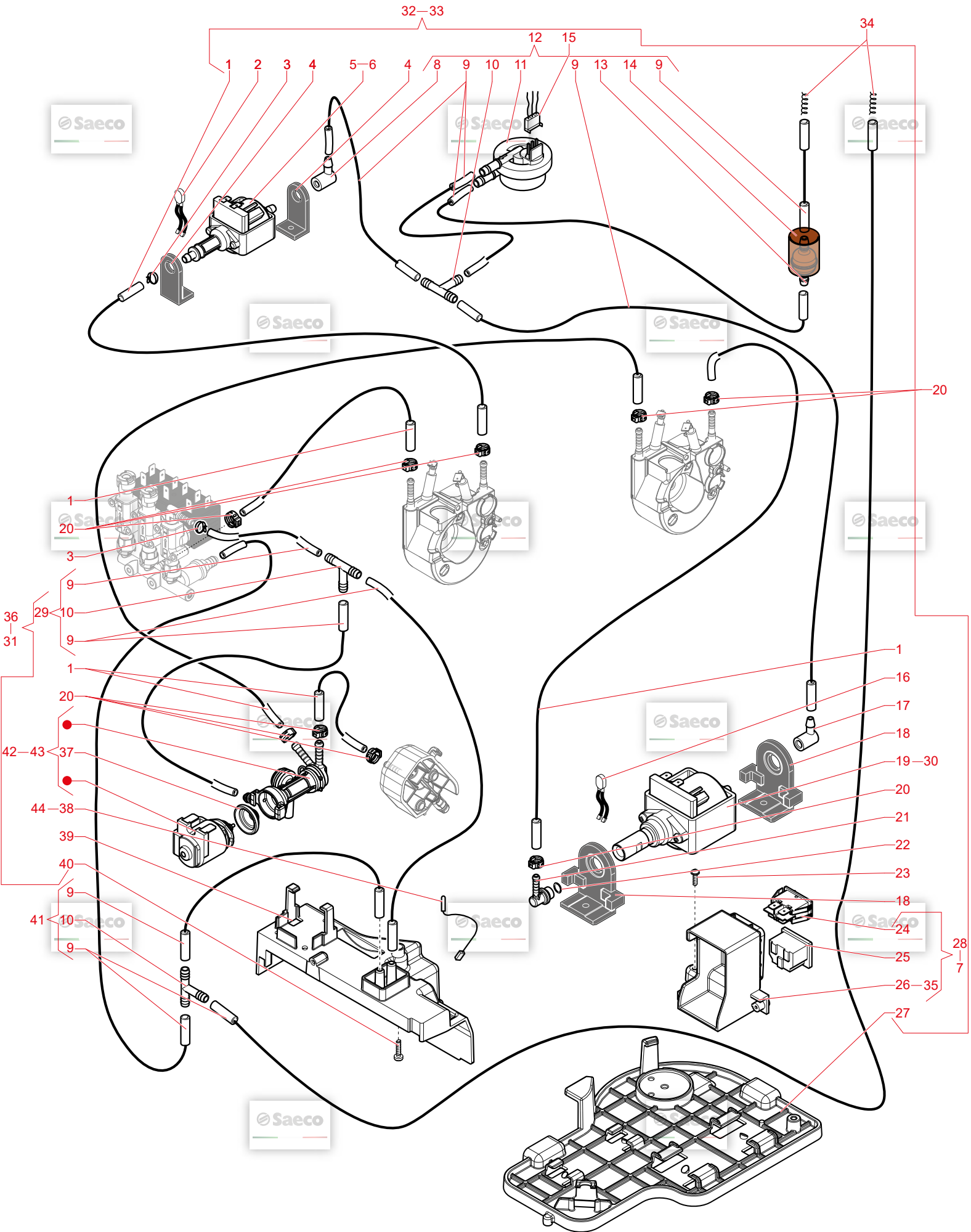
N.POSI COD	I - DESCRIZIONE	UK - DESCRIPTION	F - DESCRIPTION	D - BEZEICHNUNG	E - DESCRIPCION
1	11022989 TUBO EROG.VAP.MDS SILIC.NER.	BLACK SILIC.STEAM DISPENSER TUBE	BLACK SILIC.STEAM DISPENSER TUBE	Dampfrohr schwarz Silikon	BLACK SILIC.STEAM DISPENSER TUBE
2	11025683 TUBO DI=9.5 SP=0.30 L=10 NER.	BLACK TUBE DI=9.5 SP=0.30 L=10	BLACK TUBE DI=9.5 SP=0.30 L=10	BLACK TUBE DI=9.5 SP=0.30 L=10	BLACK TUBE DI=9.5 SP=0.30 L=10
3	12000892 FASCETTA OETIKER D=9.5 16700004	OETIKER CLAMP D=9.5 16700004	AGRAFES OETIKER D=9.5 16700004	OETTINGERKLEIMME D=9.5	FASCETTA OETIKER D=9.5 16700004
4	17002197 RAC.TUBO VAP/CAPPUC.V4 RYL NER	BLACK CAPPUCIN/STEAM TUBE CONNEC			
5	12001622 VITE TCB B 3.5X9.5 LAMIERA ZN-N	SCREW TCB TORX B 3.5X9.5 SCHEET	VIS TCB B 3.5X9.5 LAMIERA ZN-N	TORXSCHRAUBE 3.5X9.5	VITE TCB B 3.5X9.5 LAMIERA ZN-N
6	17000672 SUPP.POST.TUBO VAP RYL NER.	BLACK REAR STEAM TUBE SUPPORT RY	SUPPORT ARRIERE TUBE VAPEUR	BLACK REAR STEAM TUBE SUPPORT RY	SUPP.POST.TUBO VAP RYL NER.
7	NF11.084 MOLLA A FORCELLA ACC.FOSF.	PHOSPH/STEEL FOLK SPRING	RESSORT A FOURCHE	Klemmfeder HWD - Rohr Incantio, D	MOLLA A FORCELLA ACC.FOSF.
8	17000815 STAFFA SUPP.TUBO VAP RYL ACC.	STEEL STEAM TUBE SUPPORT BRACKET	EQUERRE APOURCTE	STEEL STEAM TUBE SUPPORT BRACKET	STAFFA SUPP.TUBO VAP RYL ACC.
9	11001624 RONDELLA TUBO VAP.P0049 NER.	BLACK STEAM TUBE WASHER P0049	RONDELLE DE BLOCAGE TUBE VAPEUR	Unterlagscheibe zu Dampfrohr	RONDELLA TUBO VAP.P0049 NER.
10	140321961 OR 2031 NFDA NBR 70 FDA	O-RING 2031 NFDA NBR 70 FDA	O-RING 2031 NFDA NBR 70 FDA	O-RING 2031 NFDA NBR 70 FDA	OR 2031 NFDA NBR 70 FDA
11	17000672 TUBO VAP RYL OT/CROM.TF	TF/CHROM.STEAM TUBE RYL	TUBE VAP RYL OT/CROM.TF	TUBO VAP RYL OT/CROM.TF	TUBO VAP RYL OT/CROM.TF
12	17000437 SUPP.ANT.TUBO VAP RYL NER.	BLACK FRONT STEAM TUBE SUPPORT R	SUPPORT AVANT TUBE VAPEUR	BLACK FRONT STEAM TUBE SUPPORT R	SUPP.ANT.TUBO VAP RYL NER.
13	12000450 VITE TCBR 3.5X12 PLAST.ZN	SCREW TCBR TORX 10 3.5X12 PLAST.	VIS TCBR TORX 10 3.5X12 PLAST.ZN	TORXSCHRAUBE 3.5X12	VITE TCBR 3.5X12 PLAST.ZN
14	17001574 IMPUGN.TUBO VAP RYL NER.	BLACK STEAM TUBE HANDGRIP RYLO	POIGNEE TUBE VAPEUR NOIRE	BLACK STEAM TUBE HANDGRIP RYLO	IMPUGN.TUBO VAP RYL NER.
15	10031416 AS.TUBO VAP.V3 RYL.T OT/TEA OT	TF/CHROM.STEAM TUBE V3 RYL.T ASS	AS.TUB VAP.V3 RYL.T OT/TEA OT/C	TF/CHROM.STEAM TUBE V3 RYL.T ASS	AS.TUBO VAP.V3 RYL.T OT/TEA OT/C
16	20007031 KIT RAC.USCITA VAP/CAPPUC.RYL NER	BLK CAPPUC.OUTPUT STEAM CONNECT.	KIT RACCORD DE SORTIE VAPEUR	BLK CAPPUC.OUTPUT STEAM CONNECT.	KIT RAC.USCITA VAP/CAPPUC.RYL NER
17	11014016 INS.MAGNETE MYB9 INOX	SS INSERT FOR MAGNET MYB9	INSERTION MAGNET	Aufnahme Magnet	SS.INSERT FOR MAGNET MYB9
18	17000614 RAC.INGRES.CAF.EROG.RYL NER.	BLACK DISPENSER TUBE RYL	TUBE EROGATION CAFE	Kaffeauslaufrohr schwarz	RAC.INGRES.CAF.EROG.RYL NER.
19	170000337 GUARN.EROG.CAF.RYL NER.	BLACK DISPENSER COFF.INLET CONNE	RACCORD PASSAGE CAFE	Raccord schwarz Kaffeezulauf	GUARN.EROG.CAF.RYL NER.
20	170000337 SUPP.EROG.CAF.RYL NER.	BLACK SEAL FOR COFFEE DISPENSER	CARNITURE EROGATION CAFE	Dichtung schwarz Kaffeauslauf	SUPP.EROG.CAF.RYL NER.
21	17000257 VITE TSP 3X10 PLAST.INOX	BLACK COFFEE DISPENSER SUPPORT R	SUPPORT EROGATION CAFE	BLACK COFFEE DISPENSER SUPPORT R	VITE TSP 3X10 PLAST.INOX
22	12000895 VITE TSP 3X10 PLAST.SS	SCREW TSP TORX 10 3X10 PLAST.SS	VIS TSP 3X10 PLAST.INOX	TORXSCHRAUBE 3X10	SUPP.SCHEDA CAPPUC.RYL NER.
23	12000339 SUPP.SCHEDA CAPPUC.RYL NER.	BLACK CAPPUCINATORE BOARD SUPPO	SUPPORT PLATINE CAPPUC.NOIR	BLACK CAPPUCINATORE BOARD SUPPO	SUPP.SCHEDA CAPPUC.RYL NER.
24	20007030 KIT TUBO USCITA VAP RYL NER.	BLACK OUTPUT STEAM TUBE KIT RYL	KIT TUBE VAPEUR	BLACK OUTPUT STEAM TUBE KIT RYL	KIT TUBO USCITA VAP RYL NER.
25	17000348 COP.SUPP.SCHEDA CAPPUC.RYL NER	BLK CAPPUCINATORE BOARD SUPP.CO	CORPS SUPPORT PLATINE CAPPUC. NO	BLK CAPPUCINATORE BOARD SUPP.CO	COP.SUPP.SCHEDA CAPPUC.RYL NER.
26	11025772 SCHEDA CAPPUC.RYL	CAPPUCINATORE BOARD RYL	PLATINE CAPPUCINATORE	CAPPUCINATORE BOARD RYL	SCHEDA CAPPUC.RYL
27	17000019 MOLLA INS.MICRO CARAF.MYB9 ACC	SS CARAFE MICRO INSERT SPRING MY	RESSORT INSERT	Feder zu Mikroschalter Karaffe	MOLLA INS.MICRO CARAF.MYB9 ACC.
28	17000421 INS.PRESENZA CAPPUC.RYL NER.	BLACK CAPPUCINATORE PRESENCE IN	INSERT PRESENCE CAPPUCINATORE	BLACK CAPPUCINATORE PRESENCE IN	INS.PRESENZA CAPPUC.RYL NER.
29	11013085 PATTINO EROG.CAF.MYB9 BIA.	WHITE COFFEE DISPENSER SLIDER MY	PATIN EROGATION CAFE	Gleitstück im Auslauf	PATTINO EROG.CAF.MYB9 BIA.
30	17000246 PARTE MOBILE EST.EROG.CAF RYL	BLACK EXT.MOBILE PART COF.DISPEN	BLACK EXT.MOBILE EXTERNE EROGATION	BLACK EXT.MOBILE PART COF.DISPEN	PARTE MOBILE EST.EROG.CAF RYL NE
31	11037042 COP.ANT.EROG.CAF RYL VERN.NER.	BLK FRONT COF.DISPENSER COVER	BLACK FRONT COFFEE DISPENSER COVER	BLK FRONT COFFEE DISPENSER COVER	COP.ANT.EROG.CAF RYL VERN.NER.
32	17000251 CORPO INT.EROG.CAF RYL NER.	BLACK INNER BODY COFFEE DISPENS	BLACK INNER BODY COFFEE DISPENS	BLACK INNER BODY COFFEE DISPENS	CORPO INT.EROG.CAF RYL NER.
33	17000248 COP.POS.EROG.CAF RYL NER.	BLACK REAR COVER COFFEE DISPENS	BLACK REAR COVER COFFEE DISPENS	BLACK REAR COVER COFFEE DISPENS	COP.POS.EROG.CAF RYL NER.
34	11036787 AS.EROG.CAF.RYL BLU	BLUE COFFEE DISPENSER RYL ASSY	BLUE COFFEE DISPENSER RYL ASSY	BLUE COFFEE DISPENSER RYL ASSY	AS.EROG.CAF.RYL BLU
35	9161.111 MAGNETE X GALLEGGIANTE SUPERAU	MAGNET FOR FLOAT SUPERAUT.		MAGNET	MAGNETE X GALLEGGIANTE SUPERAUT.
36	11037041 AS.COP.SUPP.EROG.CAF RYL.T VER	AS.COP.SUPP.EROG.CAF RYL.T VERBL	AS.COP.SUPP.EROG.CAF RYL.T VERBL	AS.COP.SUPP.EROG.CAF RYL.T VERBL	AS.COP.SUPP.EROG.CAF RYL.T VER
37	11031417 AS.SUPP.EROG.CAF V3 RYL.T OT/TE	BLK TEA/R COF.DISPENS.SUPP.V3 R	BLK UPPER CAPPUC.LID LASER.RYL	BLK UPPER CAPPUC.LID LASER.RYL	AS.SUPP.EROG.CAF V3 RYL.T OT/TEA
38	17004098 COP.SUPP.CAPPUCINAT.RYL NER.LA	BLACK CAPPUC.OUTPUT MILK CONNECTO	RACCORD ASPIRATION LAIT	BLACK CAPPUC.INPUT MILK CONNECTO	RAC.INGRES.LATTE CAPPUC.RYL NER.
39	17000785 RAC.INGRES.LATTE CAPPUC.RYL NE	OR 106 SILICONE	JOINT 106	O-Ring 106 SV. MC. P3/5	OR 106 SILICONE
40	NM01.028 CORPO CAPPUC.INGRES.SX RYL NER	BLACK LEFT ENTRY CAPPUCINAT.CAS	CORPS CAPPUCINATORE	BLACK LEFT ENTRY CAPPUCINAT.CAS	CORPO CAPPUC.INGRES.SX RYL NER.
41	17000338 MOLLA CONICA INSERTO CAPPUC.	INS.SX BLOCCAG.CAPPUC.RYL GRI.	INSERET GAUCHE BLOCAGE CAPPUCIN	INS SX BLOCCAG.CAPPUC.RYL GRI.	INS.SX BLOCCAG.CAPPUC.RYL GRI.
42	263235 INS.DX BLOCCAG.CAPPUC.RYL GRI.	INS.DX BLOCCAG.CAPPUC.RYL GRI.	INSERET DROIT BLOCAGE CAPPUCINAT	INS DX BLOCCAG.CAPPUC.RYL GRI.	INS.DX BLOCCAG.CAPPUC.RYL GRI.
43	17000389 INS.SX BLOCCAG.CAPPUC.RYL GRI.	COP.INF.CAPPUC.V2 RYL NER.	BLK LOWER CAPPUCINATORE LID V2	BLK LOWER CAPPUCINATORE LID V2	INS.DX BLOCCAG.CAPPUC.RYL GRI.
44	17000402 COP.INF.CAPPUC.V2 RYL NER.	RAC.TUBO ASPIR.+USCITA LATTE R	MILK INTAKE+OUTLET CONNECT.RYL V	MILK INTAKE+OUTLET CONNECT.RYL V	INS.DX BLOCCAG.CAPPUC.RYL GRI.
45	4219440593861 RAC.TUBO ASPIR.+USCITA LATTE R	INS.RAC.TUBO ASPIR.LATTE V2 RY	INSERT RACCORD.TUBE ASPIRATION L	Einsatz zu Raccord Milchrohr sch	MILK INTAKE+OUTLET CONNECT.RYL V
46	4219440593861 RAC.TUBO ASPIR.+USCITA LATTE R	TUBO SILICONE 3.5X6 L=500MM	TUBE SILICONE 3.5X6 L=500MM	SILICONE TUBE 3.5X6 L=500 MM	INS.RAC.TUBO ASPIR.LATTE V2 RYL
47	17001362 INS.RAC.TUBO ASPIR.LATTE V2 RY	AS.CAPPUC.V2 RYL/NER.SER.	BLK CAPPUCINATORE NOIR V2 HSC		TUBO SILICONE 3.5X6 L=500MM TAGL
48	11029672 TUBO SILICONE 3.5X6 L=500MM TA	KIT CAPPUCINATORE NERO	KIT BLK CAPPUCINATORE NOIR		BLK CAPPUCINATORE S/SCR.V2 RYLO
49	421941260042 AS.CAPPUC.V2 RYL/NER.SER.				KIT CAPPUCINATORE NERO
50	421946032811 KIT CAPPUCINATORE NERO				KIT CAPPUCINATORE NERO



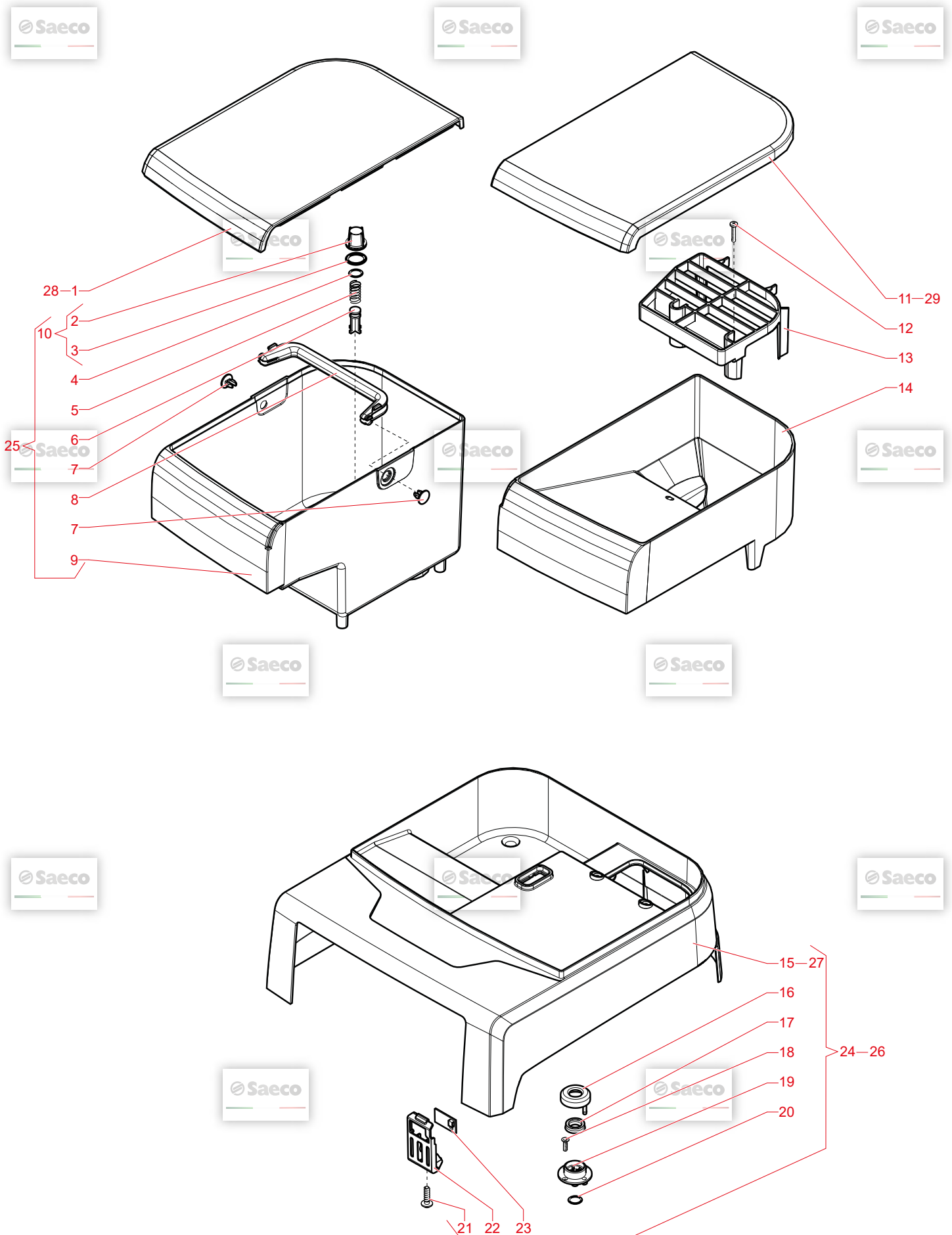
N.POSI COD	I - DESCRIZIONE	UK - DESCRIPTION	F - DESCRIPTION	D - BEZEICHNUNG	E - DESCRIPCION	NOTE
1	263204	FLAT CABLE 14P.CPU-PWR EVO RYL	PWR BOARD RYL/RYLO V2 230V	PWR BOARD RYL/RYLO V2 230V	PWR BOARD RYL/RYLO V2 230V	230V
2	421941307761	PWR BOARD RYL/RYLO V2 230V VITE	SCREW TCBR TORX 10 3.5X12 PLAST.	TORXSCHRAUBE 3.5X12	VITE TCBR 3,5X12 PLAST.ZN-N	230V
3	12000450	TCBR 3,5X12 PLAST.ZN-N	BLACK PWR BOARD SUPPORT RYL	BLACK PWR BOARD SUPPORT RYL	SUPP.SCHEDA PWR RYL NER.	230V
4	17000275	SUPP.SCHEDA PWR RYL NER.				230V
5	263203	AS. CONN. 2 POLI CC				230V
6	263212	AS.PARTI EL. RYL/E/F 230/50				230V
7	263222	AS.PANNEL. FRONT. RYL/E TOP V2				230V
8	12001779	DISPLAY 160x80 BIANCO	WHITE DISPLAY 160x80	WHITE DISPLAY 160X80	DISPLAY 160x80 BIANCO	230V
9	20000065	ASS. CPU+FW	ASSY CPU+FW			230V
10	11037020	COP.INF.FRONT.COMANDI RYL/E	CONTROL PANEL INF.COVER RYL/E			230V
11	11037021	COP.SUP.FRONT.COMANDI RYL/E	CONTROL PANEL SUP.COVER RYL/E			230V
12	263225	AS.FRONT.COM. RYL EVO FOCUS V2				230V
13	263221	AS.PARTI EL. RYL/E 120V				120V
14	263207	PWR BOARD AULIKA EVO B2B 120V	BLACK PWR BOARD SUPPORT RYL UL	BLACK PWR BOARD SUPPORT RYL UL	BLACK PWR BOARD SUPPORT RYL UL	120V
15	11028842	SUPP.SCHEDA PWR RYL UL NER. FLAT	2POLES CONNECT.SENSOR REED DUMP	2POLES CONNECT.SENSOR REED DUMP	2POLES CONNECT.SENSOR REED DUMP	120V
16	263204	CABLE 14P.CPU-PWR EVO RYL				120V
17	17800442	AS.CONN.2P.SENS.REED FONDI.CST				120V
18	263224	AS.PANNELLO FRONT. RYL/E 5VA				120V
19	263220	AS.FRONTALINO COMAND RYL/E 5VA				120V
20	263176	COP.INF.FRONT.COMAND RYL/E 5VA				120V
21	263177	COP.SUP.FRONT.COMAND RYL/E 5VA				120V
22	263310	CPU + SW CHN				CHN
23	263311	ASSIEME FRONTALINO CON SW SPEC				CHN



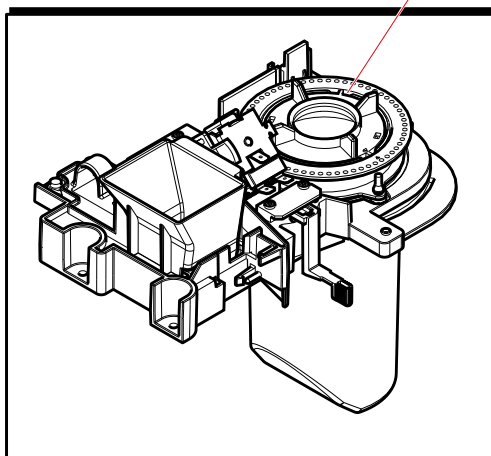
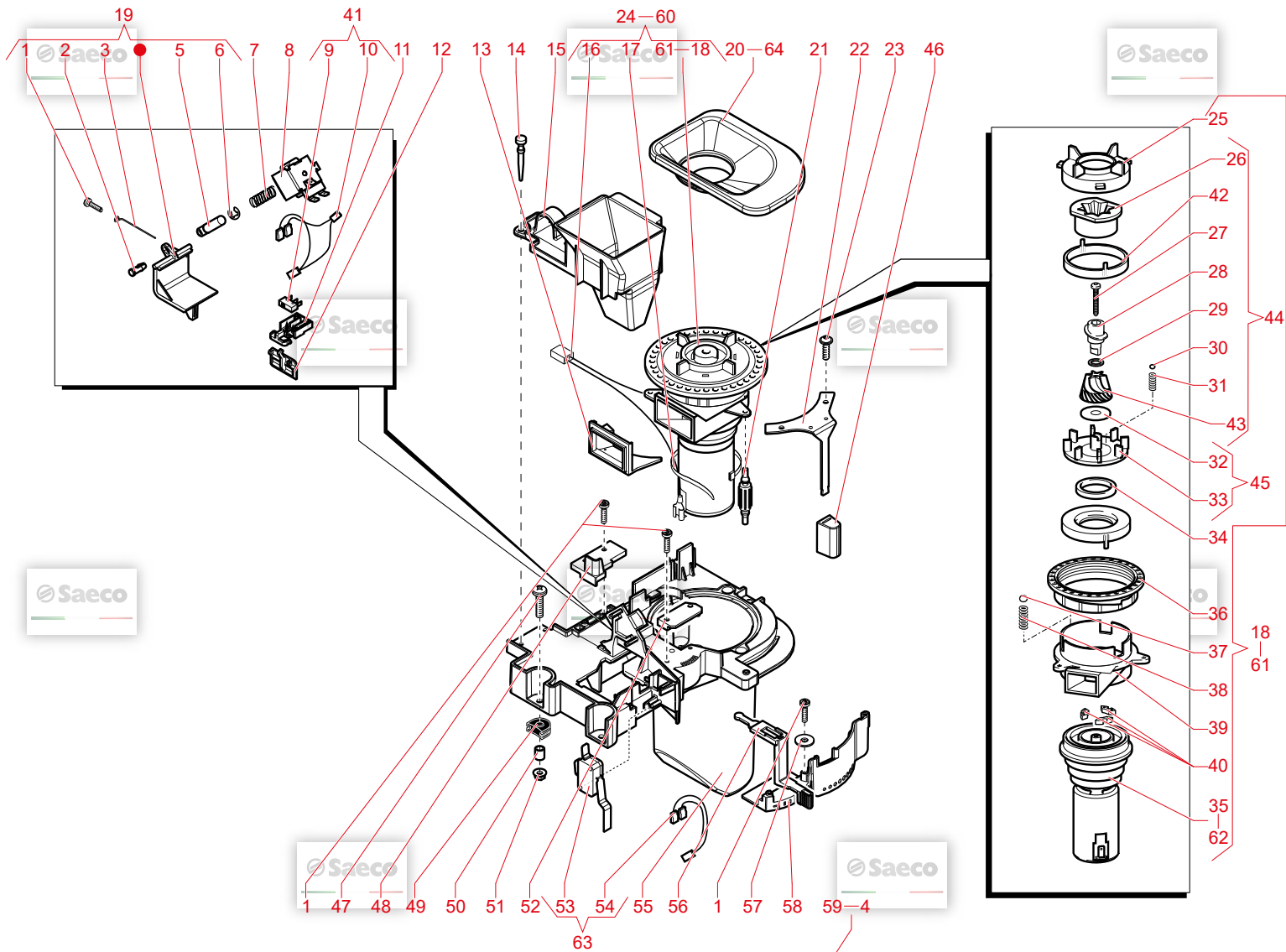
N.POSI	COD	I - DESCRIZIONE	UK - DESCRIPTION	F - DESCRIPTION	D - BEZEICHNUNG	E - DESCRIPCION	NOTE
1	17000471	ANTIVIBRANTE CALD.RYL.NER.	BLACK BOILER ANTIVIBRATION RYL	ANTIVIBRATION CHAUDIERE	BLACK BOILER ANTIVIBRATION RYL	ANTIVIBRANTE CALD.RYL.NER.	230V
2	12000450	VITE TCBR 3.5X12 PLAST.ZN-N	SCREW TCBR TORX 10 3.5X12 PLAST.	VIS TCBR TORX 10 3.5X12 PLAST.ZN	TORXSCHRAUBE 3.5X12	SUPP.CALD.TUB.VAP.V2 RYL ACC.	
3	4219440576892	SUPP.CALD.TUB.VAP.V2 RYL ACC.	STEEL STEAM TUB.BOL. BOILER SUPPORT	SUPP.CALD.TUB.VAP.V2 RYL ACC.	NEU SLIM TUB.BOL. BOILERS SUPPORT V2	NEU SLIM TUB.BOL. BOILERS SUPPORT V2	
4	421944057621	SUPP.FISSAG. CALDAIE TUB.SLIM V	NEU SLIM TUB.BOL. BOILERS SUPPORT V2	NEU SLIM TUB.BOL. BOILERS SUPPORT V2	Liensschraube M4x10 DIN/985, ve	VITE TCB PHISW 4X10 UNI 8112 ZNP	
5	190007402	VITE TCB PHISW 4X10 UNI 8112 Z	SCREW TAPT M4X10 DIN 985 GALV	SENSSEUR DE TEMPERATURE	Temperaturensensor NTC UL L=280 mm	SENSORE TEMPERATURA NTC UL L=280	
6	190000100	SENSORE TEMPERATURA NTC UL L=2	TUB.BOILER X54 1300W 230V ASSY.	CHAUDIERE TUBULAIRE NIE X54 1300	TUB.BOILER X54 1300W 230V ASSY.	TUB.BOILER X54 1300W 230V ASSY.	
7	421944024121	AS.CALD.TUB.XS4 1300W 230V	SCREW TSP TORX 10 5X35 PLAST.SS	VIS TSP 5X35 PLAST.INOX	Tox 10 5x35	SCREW TSP TORX 10 5X35 PLAST.SS	
8	12001369	VITE TSP 5X35 PLAST.INOX	THERMOSTAT ONE SHOT 190°	THERMOSTAT ONE SHOT 190°	THERMOSTAT ONE SHOT	TERMOSTATO ONE SHOT 190°	
9	12001033	TERMOSTATO ONE SHOT 190°	TUB.BOILER V3 UPPER THERM.FIXING	RESSOUR V3 UPPER THERM.THERMOSTAT	HALTBEÜGEL MIT PE	MOLLA FERM.TERMOS.SUP.CALD.TUB.V	
10	11001751	MOLLA FERM.TERMOS.SUP.CALD.TUB	BRASS BEINT FASTON 45° 6.3X0.8	RACCORD DE PROTECTION 45° 6.3X0.	Schutzleiterschleife 45°	FASTON PIEGATO 45° 6.3X0.8 OTT	
11	124390520	AS.CALD.TUB.XS4 1300W 230V	GALV.WASHER UNI 8842 A4	RONDELLE UNI 8842 A4 ZINC	FÄHRSCHRAIBE A4 3 DIN6798 VERZI	ROSETTA UNI 8842 A4 ZINC.	
12	128310402	ROSETTA UNI 8842 A4 ZINC.	SCREW TCB TORX 20 M4X8 AUTOFORMI	VIS CB TORX 20 M4X8 AUTOFORMING	TORXSCHRAUBE 4X8	SCREW TCB TORX 20 M4X8 AUTOFORMI	
13	12001715	VITE TCB M4X8 AUTOFORM.S/TEST.	STEEL COFFEE TUBOL.BOILER SUPPOR	SUPPORT CHAUD / TUBE CAFE	STEEL COFFEE TUBOL.BOILER SUPPOR	SUPP.CALD.TUB.CAF.RYL/T ACC.	
14	17000163	SUPP.CALD.TUB.CAF.RYL/T ACC.	STEAM TUB BOILER V2 RYL 230V ASS	CHAUDIERE TUBULAIRE VAPEUR COMPL			
15	4219441227702	AS.GEN.CALD.TUB.VAP.V2 RYL 230	COFFEE TUB.BOILER 230V V2 RYL/T	CHAUDIERE TUBULAIRE CAFE COMPLET			
16	2632229	AS.GEN.CALD.VAPEVO RYL 120V					
17	2632320	AS.CALD.SLIM EVO T190°-190°130					
18	421941227692	AS.GEN.CALD.TUB.CAF.V2 RYL/T 2					
19	2632228	AS.GEN.CALD.CAF.EVO RYL 120V					
20	11023153	AS.CALD.TUB.SLIM 1300W 120V	SLIM TUB.BOILER 1300W 120V ASSY.	SLIM TUB.BOILER 1300W 120V ASSY.	SLIM TUB.BOILER 1300W 120V ASSY.	SLIM TUB.BOILER 1300W 120V ASSY.	
21	12001622	VITE TCB B 3.5X9.5 LAMIERA ZN-N	SCREW TCB TORX B 3.5X9.5 SCHEET	VIS TCB B 3.5X9.5 LAMIERA ZN-N	TORXSCHRAUBE 3.5X9.5	VITE TCB B 3.5X9.5 LAMIERA ZN-N	
22	170004250	PIAS.BLOCCAG.RACCORDI RYL ACC.	STEEL CONNECTORS FIXING PLATE RY	PLAQUE DE BLOCAGE	STEEL CONNECTORS FIXING PLATE RY	PIAS.BLOCCAG.RACCORDI RYL ACC.	
23	17001178	"INS.RAC.1/8" GAS.ELETTROV.V2 RYL	"BLK.EV.1/8" GAS.CONNECTOR V2 INSE"	"BLK.EV.1/8" GAS.CONNECTOR V2 INSE"	"BLK.EV.1/8" GAS.CONNECTOR V2 INSE"	"INS.RAC.1/8" GAS.ELETTROV.V2 RYL"	
24	17001909	"GUARN.RAC.1/8" GAS.ELETTROV.V2	"RED.EV.CONNECTOR 1/8" GAS SEAL V2"	CONNECTEUR ROUGE	"RED.EV.CONNECTOR 1/8" GAS SEAL V2"	"GUARN.RAC.1/8" GAS.ELETTROV.V2 RY"	
25	11027334	"RAC.1/8" GAS.ELETTROV.V2 RYL OT"	"TEA/BRASS ELECTROV.CONNECT1/8" GA"	"RAC.1/8" GAS.ELETTROV.V2 RYL OT/T"	"RAC.1/8" GAS.ELETTROV.V2 RYL OT/T"	"RAC.1/8" GAS.ELETTROV.V2 RYL OT/T"	
26	11024469	RAC.90° CALD-SIL.TELATO AURA OT	L-FBRASS CONNECTOR FOR BOILER A	ELECTROV.VANNE 2 VOIES	RACCORD 90°	RAC.90° CALD-SIL.TELATO AURA OT/L	
27	17001262	EV.ODE 2 VIE 21JN1R4V20-X031	LFBASS 2W.EV.21JN1R4V20-X031	VIS TCB TORX 20 M4X6 ZN-B	LFBASS 2W.EV.21JN1R4V20-X031	LFBASS 2W.EV.21JN1R4V20-X031	
28	U043.012	VITE TCB TORX 20 M4X6 ZN-B	SCREW TCB TORX 20 M4X6 ZN-B	VIS TCB TORX 20 M4X6 ZN-B	Senkschraube TCB TORX 20 M4X6 ZN	VITE TCB TORX 20 M4X6 ZN-B	
29	170000168	SUPPELETTROV/RAC.3VIE RYL NER	BLACK ELECTROV/CONNECTOR SUPPRY	SUPPELETTROV/RAC.3VOIE NOIR	BLACK ELECTROV/CONNECTOR SUPPRY	SUPPELETTROV/RAC.3VIE RYL NER.	
30	17001908	AS.RAC.4V.OT+VALV.SIC.5.5-7 B.	BRASS 4WAYS CONNECT+SAFETY VALVE	ENS.VALVES 4 VOIES	BRASS 4WAYS CONNECT+SAFETY VALVE	AS.RAC.4V.OT+VALV.SIC.5.5-7 B.V3	
31	4219440406121	AS.CALD.TUB.XS4 1300W 120V	TUB.BOILER X54 1300W 120V ASSY.	ENS.BLOC ELECTROV.VANNE 3 VOIES 24			
32	11031414	AS.ELETTROVALVOLE V3 RYL/T OT/	TEA/BRASS ELECTROV.V3 24V RYL/T				
33	2632321	AS.CALD.SLIM EVO C2 T190°-190°					
34	128310521	ROSETTA UNI 8842 A5 INOX	WASHER UNI 8842 A5 SS	RONDELLE	Unterlegscheibe A5.3 DIN 6798 in	ROSETTA UNI 8842 A5 INOX	
35	11003555	VITE TCEI AUTOFILET.4.8X32 ZIN	GALVANIZED SELF-TAPPING SCREW 4,	VIS TCEI AUTOFILET.4.8X32 ZINC	Schraube 4,8 x 32 selbstschneide	VITE TCEI AUTOFILET.4.8X32 ZINC	
36	11000750	RAC.FAST LOCK DIR.TUBO SIL.RET	TEA/BRASS CONNECTOR FOR SILICONE	ADAPTEUR DE LIAISON TUBE	Raccord zu Adapter P124	RAC.FAST LOCK DIR.TUBO SIL.RETIN	
37	140328059	OR.2015 SILICONE PTFE/FDA	OR.2015 SILICONE PTFE/FDA	JOINT OR 2015 SILICONE ROUGE	O-RING 2015 SILIKON	OR.2015 SILICONE PTFE/FDA	
38	17000156	SUPP.PERNO PASS.ACQ.CALDA RYL	BLACK HOT WATER PIN SUPPORT RYL	SUPPORT PIVOT	BLACK HOT WATER PIN SUPPORT RYL	SUPP.PERNO PASS.ACQ.CALDA RYL NE	
39	11026413	TAPPO PERNO PASS.ACQ.CALDA RYL	TEA/BRASS HOT WATER PIN PLUG RYL	BOUCHON PIVOT	TEA/BRASS HOT WATER PIN PLUG RYL	TAPPO PERNO PASS.ACQ.CALDA RYL O	
40	140326662	OR ORM 0040-20 SILICONE	OR ORM 0040-20 SILICONE	JOINT OR 0040-20 SILICONE	O-Ring 0040-20 Silikon	OR ORM 0040-20 SILICONE	
41	9011.144	FORCELLA X TUBO D=4 INOX	SS FORK FOR TUBE D=4	AGRAFE TUYAU	Sicherungsfeder Schlauch V1. RO	FORCELLA X TUBO D=4 INOX	
42	11009012	BOCC.PERNO CALD OT/TEA	TEA/BRASS BOILER PIN BUSH	BAGUE LAITON	Fixierhülse zu Boiler messing	BOCC.PERNO CALD OT/TEA	
43	11009013	PERNO X PISTONCINO L=10 OT/TEA	TEA/BRASS PIN FOR PISTON L=10	PIVOT POUR PISTON L=10 OT/TEA	Slift zu Ventil L=10	PERNO X PISTONCINO L=10 OT/TEA	
44	9011.132	MOLLA PISTONCINO INOX	SS SPRING FOR PIN	RESSOUR POUR EPINGLE	FEDER VENTILSTUTZEN	MOLLA PISTONCINO INOX	
45	11009019	AS.PISTONCINO C/GOLA L=20.9 OT	TEA/BRASS PISTON L=20.9 ASSY.	ENS.PISTON	VENTILSTIFT + DICHTUNG VITON	AS.PISTONCINO C/GOLA L=20.9 OT/T	
46	9161.434	PERNO PASS.ACQ.CALDA	HOT WATER PIN	PIPETTE CHAUDIERE	Ventilzapfen MA-RD	PERNO PASS.ACQ.CALDA	
47	11005089	CURSORE CALD.V2 P119 PEEK NAT.	NATURAL CURSOR V2 FOR BOILER P11	CURSEUR DE CHAUDIERE P119	GLEITSTÜCK AUSLAUFSTUTZEN	CURSORE CALD.V2 P119 PEEK NAT.	
48	NM01.035	OR ORM 0090-20 SILICONE	OR ORM 0090-20 SILICONE	JOINT OR ORM 90-20	O-RING ORM 0090-20 SILICON	OR ORM 0090-20 SILICONE	
49	NM01.057	OR ORM 0050-20 SILICONE	OR ORM 0050-20 IN SILICONE	JOINT OR ORM 50-20	O-RING ORM 0050-20 SILICON	OR ORM 0050-20 SILICONE	
50	421941229822	AS.CALD.T.SLIM V2 C2 T190°-190	SLIM T.CHAUD.V2 C2 T190-190 1300	CHAUDIERE SLIM V2 T190°-190°1300	AS.CALD.T.SLIM V2 C2 T190°-190°1	AS.CALD.T.SLIM V2 C2 T190°-190°1	
51	11025744	AS.PERNO PASS.ACQ.CALDA RYL OT	TEA/BRASS HOT WATER PIN RYL ASSY	ENS.PIVOT PASSAGE EAU CHAUDE	TEA/BRASS HOT WATER PIN RYL ASSY	AS.PERNO PASS.ACQ.CALDA RYL OT/T	

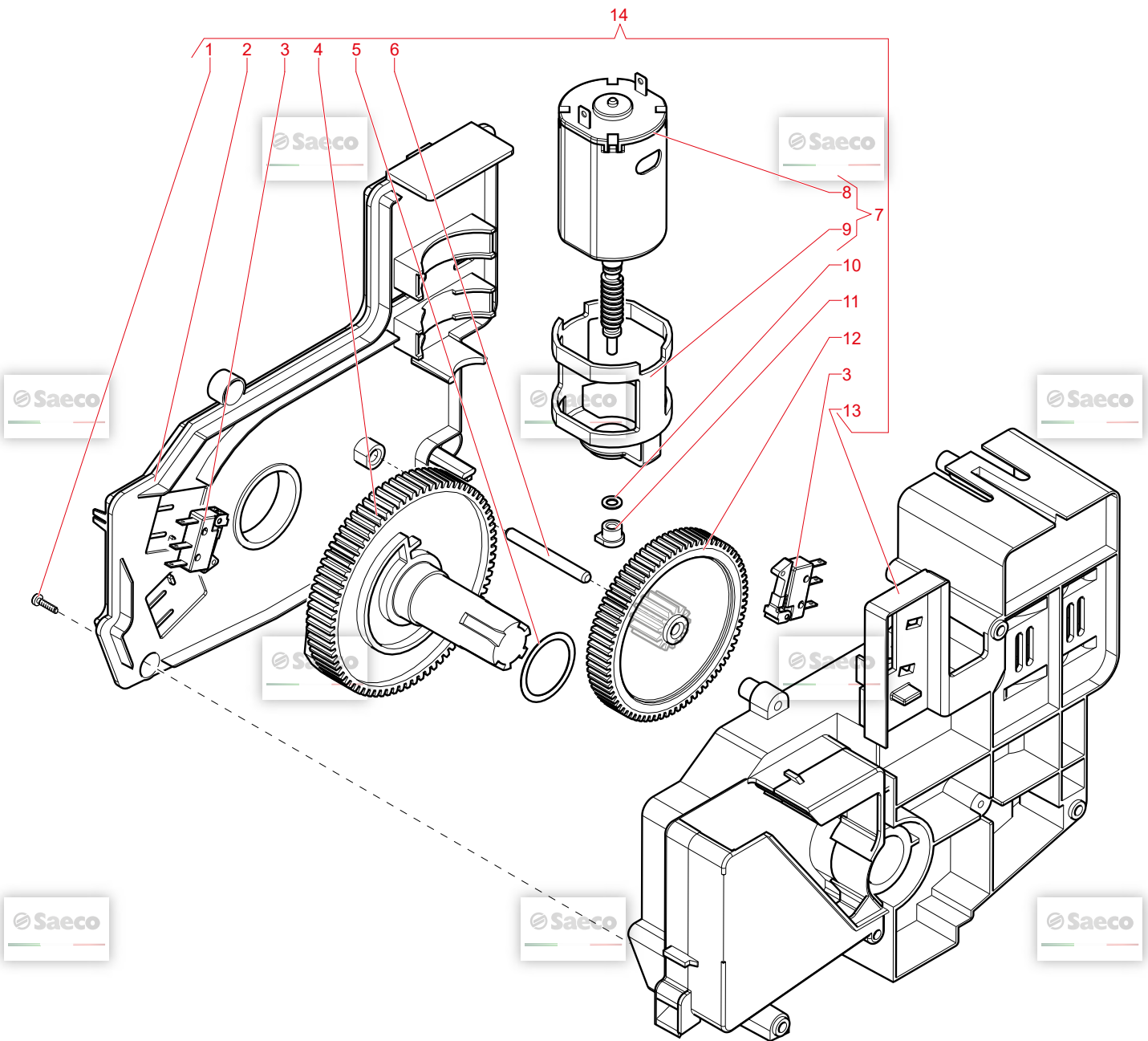


N.POSI COD	I - DESCRIZIONE	UK - DESCRIPTION	F - DESCRIPTION	D - BEZEICHNUNG	E - DESCRIPCION
1	11027788	TUBO SIL.RETIN.5X8.9 L=2000MM	TUBO SIL.RETIN.5X8.9 L=2000MM RO	TUBO SIL.RETIN.5X8.9 L=2000MM RO	TUBO SIL.RETIN.5X8.9 L=2000MM RO
2	17800203	AS.CONN.2P.POMPA VAP RYL UL	2POLES CONNECTOR STEAM PUMP RYL	2POLES CONNECTOR STEAM PUMP RYL	AS.CONN.2P.POMPA VAP RYL UL
3	18432020	MOLLA STRINGITUBO D=9.5MM ZINC	ATTACHE DE TUYAU D=9.5	Schlauchklammer Pumpenwinkel	MOLLA STRINGITUBO D=9.5MM ZINC.G
4	11029554	SUPP.POMPA UL.KA MF SBD/NER.	BLACK/SBD ULKA MF PUMP SUPPORT	BLACK/SBD ULKA MF PUMP SUPPORT	SUPP.POMPA UL.KA MF SBD/NER.
5	12001212	POMPA ULKA MF 230V-50HZ	POMPE ULKA MF 230V-50HZ	Ulka-Pumpe MF 230V-50HZ klein	POMPA ULKA MF 230V-50HZ
6	12001346	POMPA ULKA MF 120V-60HZ	ULKA PUMP MF 120V-60HZ	Ulka-Pumpe MF Klein 120V-60HZ	ULKA PUMP MF 120V-60HZ
7	263206	AS.CONN.IEC PRESA VASCHET. 120	90° INLET CONNECTOR FOR PUMP ULK	90° Anschlußgummil Pumpe	RAC.INGRESSO A 90° POMPA ULKA MF
8	11012193	RAC.INGRESSO A 90° POMPA ULKA	SILICONE TUBE 5X10 L.2000MM	Siliconschlauch 5x10 L.2000MM	TUBO SILICONE 5X10 TRASP. L.2000
9	11035450	TUBO SILICONE 5X10 TRASP. L.20	TRANS.CONNECTOR D=8 ART.80.26.04	RACCORD EN TE D=8mm	RAC.T D=8 ART.80.26.047 KA.461 T
10	147920300	RAC.T D=8 ART.80.26.047 KA.461	TURBINE D=1.2 ASSY.	DEBITMETRE D=1.2	AS.TURBINA D=1.2
11	NV99.099	AS.TURBINA D=1.2			
12	263227	ASS.GEN.TURBINA TOP RYL/H	TRANSP.WHTE ASPIRATION FILTER M	FILTRE D'ASPIRATION	FILTRO ASPIRAZ.MDS BIA/TRASP
13	12001595	FILTRO ASPIRAZ.MDS BIA/TRASP.	BLK PROTECTION FOR FOLK SPRING T	PROTECTION DE TUBE	PROTEZ.MOLLA A FORCELLA TUBO D=4
14	147756662	PROTEZ.MOLLA A FORCELLA TUBO D	6P.CONN.FLOWMETER V3 RYL UL ASSY	CONNECTEUR 6 POLES	6P.CONN.FLOWMETER V3 RYL UL ASSY
15	421946001551	AS.CONN.6P.TURBINA V3 RYL UL	2POLES CONNECTOR COFFEE PUMP RYL	CONNECTEUR 2 POLES POMPE CAFE	AS.CONN.2P.POMPA CAF RYL UL
16	17800202	AS.CONN.2P.POMPA CAF RYL UL	90° INLET PUMP SUPPORT	RACCORD 90° CAOUTCHOUC	RAC.INGRESSO A 90° POMPA NEU.
17	147920150	RAC.INGRESSO A 90° POMPA NEU.	BLACK PUMP SUPPORT GMYB	SUPPORT POMPE NOIR GMYB	SUPP.POMPA GMYB NER.
18	11022857	SUPP.POMPA GMYB NER.	ULKA PUMP EP5/S 120V-60HZ	NON UTILISE POUR LA FRANCE ET LE	POMPA ULKA EP5/S 120V-60HZ
19	12000131	POMPA ULKA EP5/S 120V-60HZ	OETIKER CLAMP D=9.5 16700004	AGRAFES OETIKER D=9.5 16700004	FASCETTA OETIKER D=9.5 16700004
20	12000892	FASCETTA OETIKER D=9.5 16700000	BLK PUMP OUTLET 90°CONNECTOR P00	RACCORD 90° SORTIE DE POMPE	RAC.90° USCITA POMPA P0049/B N
21	11001054	OR.2031 NFDA NBR 70 FDA	O-RING 2031 NFDA NBR 70 FDA	O-RING 2031 NFDA NBR 70 FDA	OR.2031 NFDA NBR 70 FDA
22	140321961	OR.2031 NFDA NBR 70 FDA	SCREW TORX 10.3.5X12 PLAST.	VIS TORX TORX 10.3.5X12 PLASTZN	VITE TCBR 3.5X12 PLASTZN
23	12000450	VITE TCBR 3.5X12 PLASTZN	BIPOLAR SWITCH FUSIT C1250AR	INTERRUPTEUR BIPOLAIRE	INT.BIPOL.FUSIT C1250AR
24	NE03.038	INT.BIPOL.FUSIT C1250AR	CUP SOCKET V3 EN 60320 C 13	SOCLE DE PRISE	PRESA A VASCH.C/SMUSSI V3 EN 603
25	12001883	PRESA A VASCH.C/SMUSSI V3 EN 6	BLACK SOCKET-SWITCH SUPPORT RYL	NON UTILISEE PAR LA FRANCE ET BE	BLACK SOCKET-SWITCH SUPPORT RYL
26	11028204	SUPP.PRESA E INTERRUT RYL ULN	BLACK COMPONENTS SUPPORT RYLO	SUPPORT DE COMPOSANT NOIR	SUPP.COMPONENTI RYLO NER.
27	17000973	SUPP.COMPONENTI RYLO NER.	VALVE/VEY DRAIN TUBES RYL ASSY.		
28	263201	AS.CONN.IEC PRESA VASCHETTA EU	ULKA PUMP EP5FMGW 230V-50HZ	POMPE ULKA EP5FMGW 230V-50HZ	ULKA PUMP EP5FMGW 230V-50HZ
29	11025741	AS.TUBI SCARICO E/V/VALV RYL	COMPONENTS SUPP.V3 230V RYLO ASS	AS.SUPP.COMPONENTI RYL/T 120V	AS.SUPP.COMPONENTI RYL/T 120V
30	421941305991	POMPA ULKA EP5FMGW 230V-50HZ	COMPONENTS SUPP.V3 230V RYLO ASS	AS.SUPP.COMPONENTI RYL/T 120V	
31	263232	AS.PROT+VALV.SC.RYL/T NER 120V	SPRING FOR TUBE PRODUCT 1	RESSORT POUR TUBE PRODUIT 1	MOLLA X TUBO PRODOTTO 1
32	11028609	AS.SUPP.COMPONENTI RYL/T 120V	BLACK SOCKET-SWITCH SUPPORT RYL	SUPPORT PRISE INTERRUPTEUR	SUPP.PRESA E INTERRUT RYL NER.
33	11034678	AS.SUPP.COMPONENTI V3 RYLO 230	230V/BLK PROT+BLWDOWN VALVE RYL	AS.PROT+VALV.SCARICO RYL/T NER/2	AS.PROT+VALV.SCARICO RYL/T NER/2
34	0701.081	MOLLA X TUBO PRODOTTO 1	BLWDOWN VALVE MEMBRANE SEAL P00	GUARNIZ A MEMBRANA VALV.SCARICO	GUARNIZ A MEMBRANA VALV.SCARICO
35	17000162	SUPP.PRESA E INTERRUT RYL NER.	3P.CONN.DUMP BOX REED SENS.V2 RY	CONNECTEURS 3 POLES	3P.CONN.DUMP BOX REED SENS.V2 RY
36	11025743	AS.PROT+VALV.SCARICO RYL/T NER.	BLACK DRIP TRAY PROTECTION RYL	PROTECTION BAC REC/EAU	PROT.VASCA REC.ACQ.RYL NER.
37	11001513	GUARNIZ A MEMBRANA VALV.SCARIC	SCREW TCB TORX 10.3X12 PLASTZN.	VIS TCB 3X12 PLASTZN-B	VITE TCB 3X12 PLAST.ZN-B
38	421946004691	AS.CONN.3P.SENS REED CAS.FOND.	WATER CONTAINER/VEY DRAIN TUBES R	BLOWDOWN VALVE V3 RYL 230V ASSY.	AS.VALV.SCARICO V3 RYL 230V
39	17000165	PROT.VASCA REC.ACQ.RYL NER.	BLWDOWN VALVE V3 RYL 230V ASSY.	BLOWDOWN VALVE V3 RYL 230V ASSY.	AS.VALV.SCARICO V3 RYL 230V
40	129913902	VITE TCB 3X12 PLASTZN-B	BLWDOWN VALVE V3 RYL 120V ASSY.	BLOWDOWN VALVE V3 RYL 120V ASSY.	AS.VALV.SCARICO V3 RYL 120V
41	11027095	AS.TUBI SCARICO E/V/CON.ACQ.RY	2POLES CONNECT/SENSOR REED DUMP	CONNECTEUR 2 POLES	2POLES CONNECT/SENSOR REED DUMP
42	11025742	AS.VALV.SCARICO V3 RYL 230V			
43	11028187	AS.CONN.2P.SENS REED FONDI CST			
44	17800042	AS.CONN.2P.SENS REED FONDI CST			



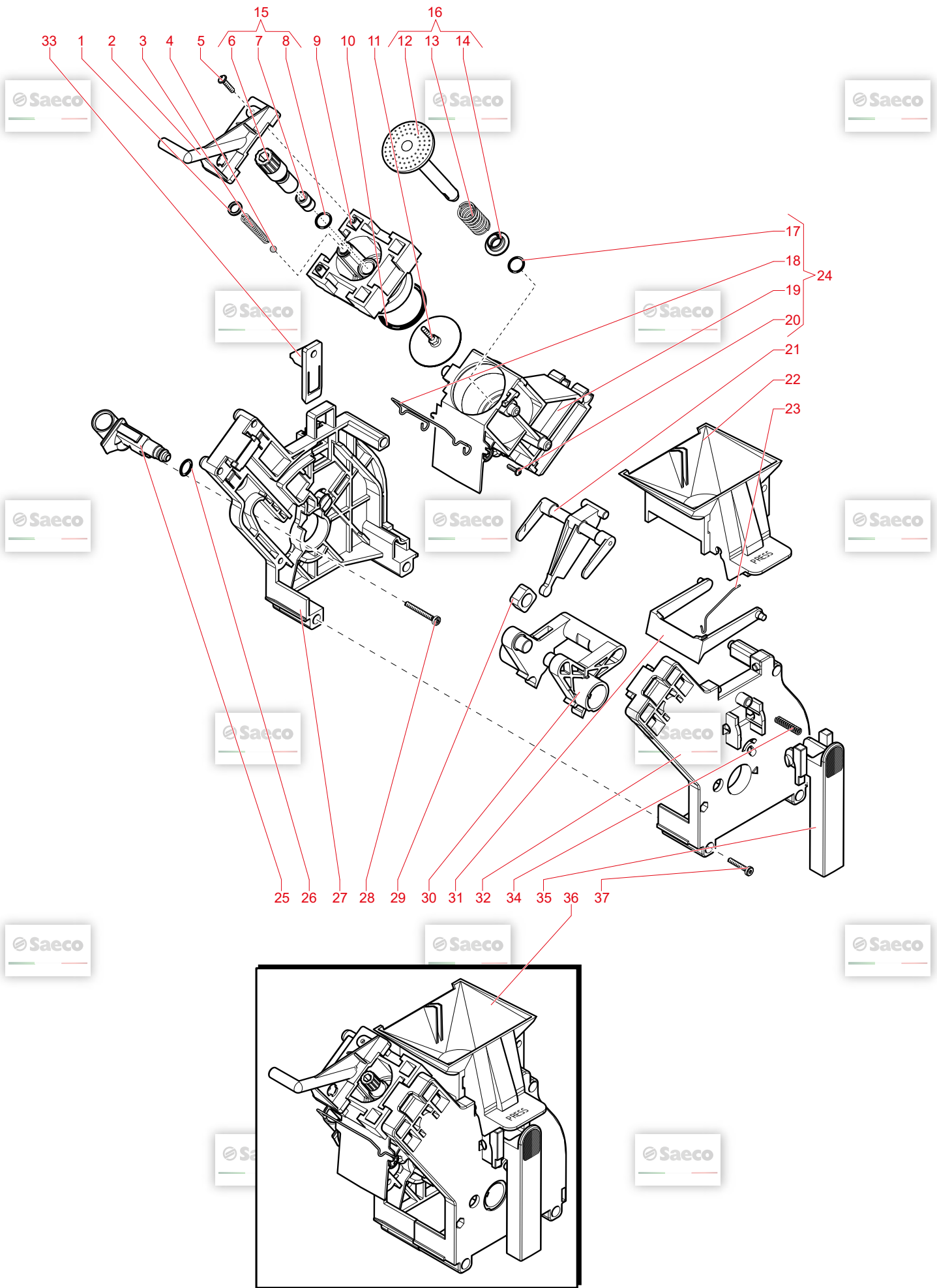
N.POSI	COD	I - DESCRIZIONE	UK - DESCRIPTION	F - DESCRIPTION	D - BEZEICHNUNG	E - DESCRIPCION	NOTE
1	263174	COP.CONT.ACQ.RYL/EF NER.	EXT. WATER NET FILTER D=30MM NOC	EXT. WATER NET FILTER D=30MM NOC	EXT. WATER NET FILTER D=30MM NOC	FILTRO EST. ACQ. A RETE D=30MM N	
2	11036042	FILTRO EST. ACQ. A RETE D=30MM	OR 2106 SILICONE	JOINT OR 2106 SILICONE	O-Ring 2106 Silicon	OR 2106 SILICONE	
3	NM01.022	OR 2106 SILICONE	OR ORM 0060-30 SILICONE	JOINT DE BAC 0060-30	O-Ring 0060-30 Silicon schwarz	OR ORM 0060-30 SILICONE	
4	140324362	OR ORM 0060-30 SILICONE	SS WATER CONTAINER VALVE SPRING	RESSORT DE VALVE	Druckfeder zu Wasser tankventill	MOLLA CILINDR. VALV. CONT.ACQ. INOX	
5	126764718	PIST.VALV. CONT.ACQ. GRI.	GREY PISTON FOR WATER CONTAINER	PISTON X VALVE BAC EAU	Ventil Wasserbehälter MA. RO. VI	PIST.VALV. CONT.ACQ. GRI.	
6	147660562	PIST.VALV. CONT.ACQ. GRI.	BLACK PLUG FOR WATER CONTAIN.HAN	BOUCHON POIGNEE BAC EAU	BLACK PLUG FOR WATER CONTAIN.HAN	TAPPO MANIGLIA CONT.ACQ.RYL NER.	
7	17001255	TAPPO MANIGLIA CONT.ACQ.RYL NER.	BLACK HANDLE WATER CONTAINER LID	POIGNEE BAC EAU NOIR	BLACK HANDLE WATER CONTAINER LID	MANIGLIA CONT.ACQ.RYLO NER.	
8	11025847	MANIGLIA CONT.ACQ.RYLO NER.	WHITE WATER CONTAINER EXT.FILTER	WHITE WATER CONTAINER EXT.FILTER	WHITE WATER CONTAINER EXT.FILTER	AS.FILTRO EST.CONT.ACQ.BIA.UJL	
9	263173	CONT.ACQ.RYL/EF GR/ITRASP.	SCREW TCB TORX 10 3X12 PLAST.SS	VIS TCB 3X12 PLAST.INOX	Vis 10 3x12	VITE TCB 3X12 PLAST.INOX	
10	11036095	AS.FILTRO EST.CONT.ACQ.BIA.UJL	TOP COVER BLK RYL/E	CACHE JOINT GRIS	Ventilkappe grau	COP.GUARN.GACO DIM 14 VALV.ACQ.G	
11	263172	COP.CONT.CAF.RYL/EF NER	GREY WATER VALVE GACO DIM 14 SEA	JOINT GACO	Lippendichtung GACO DIM 14	GUARN.GACO DIM14 VALV.CONT.ACQ.N	
12	12001431	VITE TCB 3X12 PLAST.INOX	NBR WATER CONT.VALVE GACO DIM14	VIS TSP 3X10 PLAST.INOX	TORXSCHRAUBE 3X10	SCREW.TSP TORX 10 3X10 PLAST.SS	
13	263175	GRIGLIA PROTEZ.CONT.CAF EVO	SCREW TSP TORX 10 3X10 PLAST.SS	SUPPORT JOINT	Ventilunterteil grau	CONT.GUARN.GACO DIM 14 VALV.ACQ.	
14	263171	CONT.CAF.RYL/EF GR/ITRASP.	GREY WATER VALVE GACO DIM 14 SEA	JOINT DE PIPEPTE 0080-20	O-Ring 0080-20 TERMOIL	OR ORM 0080-20 TERMOIL	
15	11036719	COP.CARC. BLK RYL/E	TOP COVER RYL/E FOCUS	VIS TCB TORX 10 3.5X12 PLAST.ZN	TORXSCHRAUBE 3.5X12	VITE.TCBR 3.5X12 PLAST.ZN-N	
16	0701.031.150	COP.GUARN.GACO DIM 14 VALV.ACQ	SCREW TCBR TORX 10 3.5X12 PLAST.	SUPPORT DE CAPTEUR DE NIVEAU D'E	BLACK WATER LEVEL SENSOR SUPPORT	SUPP.SENS.CAPACTIVO LIVEL.ACQ.R	
17	145842900	GUARN.GACO DIM14 VALV.CONT.ACQ	BLACK WATER LEVEL SENSOR SUPPORT	PLATINE SENSEUR NIVEAU D'EAU	CPU+SW WATER LEVEL SENSOR V3 ASS	CPU+SW WATER LEVEL SENSOR V3 ASS	
18	12000895	VITE TSP 3X10 PLAST.INOX	TOP COVER RYL/E ASSY	TOP COVER RYL/E ASSY	TOP COVER RYL/E ASSY	AS.COP.CARC. RYL/E	
19	0701.014.150	CONT.GUARN.GACO DIM 14 VALV.AC					
20	140320461	OR ORM 0080-20 TERMOIL					
21	12000450	VITE TCBR 3.5X12 PLAST.ZN-N					
22	17001444	SUPP.SENS.CAPACTIVO LIVEL.ACQ					
23	421941306721	AS.CPU+SW SENS.ACQ. V3					
24	11036744	AS.COP.CARC. RYL/E					
25	263211	AS.CONT.ACQ.RYL/E FOCUS					
26	263217	AS.COP.CARC. RYL/E 5VA					
27	263178	COP.CARC.VER/BLK RYL/E 5VA					
28	263183	COP.CONT.ACQ.RYL/EF VRN NER					
29	263184	COP.CONT.CAF.RYL/EF VRN NER					



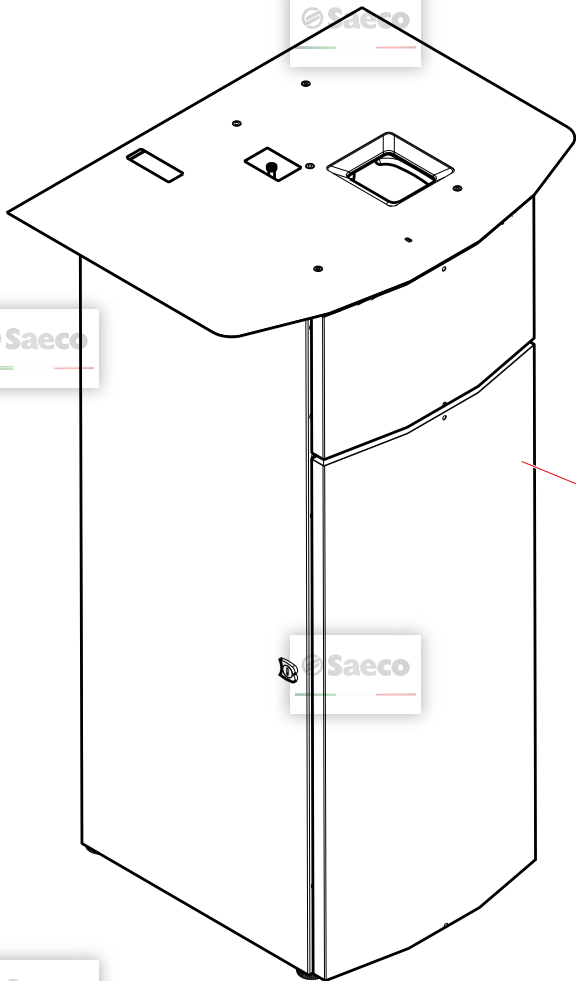
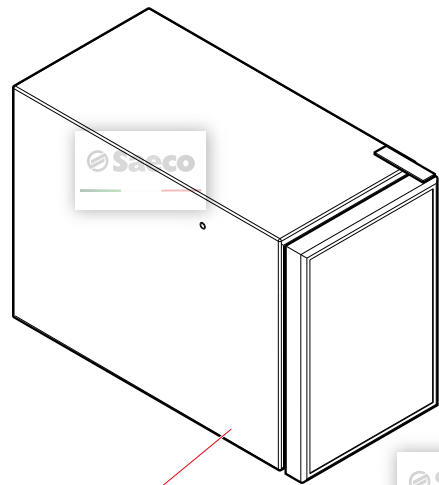


N.POSI COD	I - DESCRIZIONE	UK - DESCRIPTION	F - DESCRIPTION	D - BEZEICHNUNG	E - DESCRIPCION
1	129670202	TCB PANELVIT SCREW 3.5X16 TESTA	VIS TCB 3.5X16 TESTA D=8 ZNP	Blechschraube ST 3.5X16-Z1-C ver	VITE PANELVIT TCB 3.5X16 TESTA D
2	17000719	GREY RATIONMOTOR LID RYL	MILARD POUR MOTOREDUCTEUR	Deckel Getriebegehäuse grau	COP.MOTORID.RYL GRI.
3	NE05.038	MICROSWITCH 30V 0.3A	MICRO INTERRUPTEUR	MIKROSCHALTER	MICROINTERRUTTORE 30V 0.3A
4	11007137	BLACK GEAR Z=77 V/2 FOR RATIONMOTO	ENGRENAGE Z=77 MOTORID.V2 P124 N	Zahnrad Z=77 V2 P124 schwarz	INGR.Z=77 MOTORID.V2 P124 NER.
5	9161.368	MYLAR WASHER FOR RATIONMOTOR	RONDELLE MOTOREDUCTEUR	UNTERLEGSCHLEIBER GETRIEBEMOTOR	RONDELLA MYLAR X MOTORIDUTTORE
6	9121.039	STEEL PIN FOR RATIONMOTOR GEAR MA	STEEL PIN FOR RATIONMOTOR GEAR MA	STEEL PIN FOR RATIONMOTOR GEAR MA	PERNO INGR.MOTORID.MAGIC ACC.
7	11005214	MOTOR FOR RATIONMOTOR ASSY	MOTEUR AVEC CONDENSATEUR	MOTOR GETRIEBE	AS.MOTORE MOTORIDUTTORE
8	11003037	MOTOR FOR RATIONMOTOR ASSY	MOTEUR REDUCTEUR + CONDENSATEUR	GServiceitemotor.V2 Talea, Ode	AS.MOTORE MOTORID.C/COND.
9	9121.044	ANTIVIBRATION FOR MOTOR	AMORTISSEUR MOTEUR	VIBRATIONSDAEMPFER	ANTIVIBRANTE X MOTORE
10	148380200	BAKELIZATE WASHER D=5.5	RONDELLE D=5.5	DISTANZSCHEIBE BAKELIT	RONDELLA D=5.5 IN TELA BAKELIZZA
11	9121.046	BRONZE SINTERED BUSH FOR MOTOR R	JOINT DE MOTEUR	SINTERBUCHSE	BOCC.SINTERIZ.MOTORE MOTORID.BRO
12	146002800	GREY GEAR Z=13/90 FOR RATIONMOTOR	ENGRENAGE Z=13/90 MOTOREDUCTEUR	Zahnrad Z=13/90 grau P124	INGR.Z=13/90 MOTORID.P124 GRI.
13	11026258	GREY RATIONMOTOR CASING WITH TUBE	CARCASSE MOTOREDUCTEUR AVEC CANA	GEHÄUSE GETRIEBE GRAU	AS.CARC.MOTORID.C/CANALINO RYL G
14	263213				





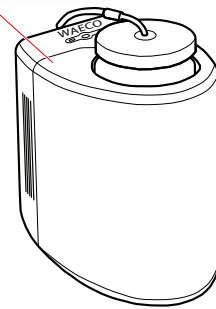
N.POSI COD	I - DESCRIZIONE	UK - DESCRIPTION	F - DESCRIPTION	D - BEZEICHNUNG	E - DESCRIPCION
1	11021334	GUARN.DE=11 DI=8 SP=1,4 X CONT	BLK COUNTERPISTON SEAL DE=11 DI=	GARNITURE CONTRE PISTON	GUARN.DE=11 DI=8 SP=1,4 X CONTRO
2	11003789	MANICOT.USCITA CAF.GRUP.ROYAL	BLACK COFF OUTLET SLEEVE BREW UN	RACCORD SORTIE CAFE ROYAL	MANICOT.USCITA CAF.GRUP.ROYAL NE
3	9161.222	MOLLA CONICA INOX	SS CONICAL SPRING	RESSORT SORTIE CONIQUE	MOLLA CONICA INOX
4	421944034451	SFERAD.5 MM IN.BORO. SILICATO	BOROSILICATE SPHERE D.5 MM	SPHERE D.5 MM	BOROSILICATE SPHERE D.5 MM
5	12002170	VITE TCB 3X16 TORX 10 PLAST.IN	SCREW TCB TORX 10 3X16 PLAST SS	SCREW TCB TORX 10 3X16 PLAST SS	VITE TCB 3X16 TORX 10 PLAST.INOX
6	147472850	PERINO X DOCCIA NERO	PIN BLACK FOR PERCOLATOR		
7	NF11.067	INS.PERNO BLOCCAG.DOCCIA OT.	BRASS INSERT FOR PERCOLATOR LOCK		
8	140324461	OR ORM 0060-20 TERMOIL	OR ORM 0060-20 TERMOIL	JOINT ORM 0060-20	OR ORM 0060-20 TERMOIL
9	11003796	CONTROPIST.GRUP.M5000 NER.	BLACK BREW UNIT COUNTERPISTON M5	CONTREPISTON GROUPE CAFE	CONTROPIST.GRUP.M5000 NER.
10	NM01.044	OR ORM 0320-40 SILICONE PTFE/FDA	OR ORM 0320-40 SILICONE PTFE/FDA	JOINT OR 0320-40 SILICONE	OR ORM 0320-40 SILICONE PTFE/FDA
11	9161.075	AS.DOCCIA DE=35.8 ELFO C/VITE	PERCOLATOR DE=35.8 ELFO ASSY.	GRILLE D 35.8	AS.DOCCIA DE=35.8 ELFO C/VITE E
12	11003077	AS.PIST.INTEGR.GRUP.8GR.NER.	BLK BREW UNIT INTEGRAL PISTON 8G	PISTON GROUPE CAFE P124 8GR	AS.PIST.INTEGR.GRUP.8GR.NER.
13	9161.198	MOLLA PIST.GRUP.8GR.INOX	SS 8GR BREW UNIT PISTON SPRING	RESSORT DU PISTON	MOLLA PIST.GRUP.8GR.INOX
14	9161.191	BOC.PIST.GRUP.8GR.-12GR.BIA.	WHITE 8GR-12GR BREW UNIT PISTON	RONDELLE DE BLOCAGE DU PISTON	BOC.PIST.GRUP.8GR.-12GR.BIA.
15	227470150	AS.PERNO X DOCCIA COMPLETO NER	PIN BLACK ASS FOR PERCOLATOR	AXE DE GRILLE	AS.PERNO X DOCCIA COMPLETO NERO
16	11036010	AS.GEN.PISTONE INTEGR.GRUP.CAF	BRW 8GR BREW UNIT NTEGR.PISTON G	PISTON GROUPE CAFE 8GR	AS.GEN.PISTONE INTEGR.GRUP.CAF 8
17	NM02.018	OR ORM 0090-25 TERMOIL	OR ORM 0090-25 TERMOIL	JOINT ORM 0090-25 EPDM	OR ORM 0090-25 TERMOIL
18	11001556	MOLLA RASAT.H=49 GRUP.CAF.SMAR	SS BREW UNIT SPRING H=49 SMART	RESSORT RACLEUR	MOLLA RASAT.H=49 GRUP.CAF.SMART
19	4219444014611	AS.CONT.CAF.C/BOC.SALD.GRUP.V2	BLK COF.CONTAIN.BREW UNIT V2 M500	CHAMBRE GROUPE CAFE NOIR V2 M500	BLK COF.CONTAIN.BREW UNIT V2 M50
20	129912521	VITE TCBR 3.5X14 PLAST.INOX	SCREW TCBR TORX 10 3.5X14 PLAST.	VIS TCBR TORX 10 3.5X14 PLAST.SS	VITE TCBR 3.5X14 PLAST.INOX
21	11003078	BIELLA GRUP.8GR.NER.	BLACK CONNECTING ROD BREW UNIT 8	BIELLE NOIRE	BIELLA GRUP.8GR.NER.
22	11003795	TRAMOG.GRUP.M5000 NER.SER.PRES	SS SCRAPER SPRING FOR BREW UNIT	ENTONNOIR GROUPE CAFE M5000	TRAMOG.GRUP.M5000 NER.SER.PRESS
23	9161.046	MOLLA RASATORE GRUP.INOX	SS SCRAPER SPRING FOR BREW UNIT	RESSORT D'ARRASAGE	MOLLA RASATORE GRUP.INOX
24	11004570	AS.CONT.CAF.GRUP.8G.P124 NER.	BLACK BREW UNIT COFFEE CONT.P124		AS.CONT.CAF.GRUP.8G.P124 NER.
25	9161.064.050	MANICOT.ENTRATA ACQ.GRUP.ROYAL	BLACK WATER INLET SLEEVE BREW UN	PIPETTE ENTREE D'EAU	MANICOT.ENTRATA ACQ.GRUP.ROYAL N
26	NM02.007	OR 2025 TERMOIL	OR 2025 IN TERMOIL	JOINT 2025 TERMOIL	OR 2025 TERMOIL
27	421941158532	PIAS.POS.V2 GRUP.M5000 NER.	BLACK BREW UNIT REAR PLATE V2 M5	PLAQUE ARRIERE GROUPE CAFE	BLACK BREW UNIT REAR PLATE V2 M5
28	12000550	VITE TCB 3X25 PLAST.INOX	SCREW TCB TORX 10 3X25 PLAST.SS	VIS TCB TORX 3x25 Plast.Ss	SCREW TCB TORX 10 3X25 PLAST.SS
29	9161.094.050	BLOC.FORATO GRUP.PANNER.	BLACK BREW UNIT DRILLED BLOCK	ENTRETOISE NOIRE	BLOC.FORATO GRUP.PANNER.
30	9161.066.050	ALBERO A GOMITO GRUP.M5000 NER	BLACK BREW UNIT ELBOW SHAFT M500	ARBRE DU GROUPE	ALBERO A GOMITO GRUP.M5000 NER.
31	11004161	RASATORE GRUP.M5000 NER.	BLACK SCRAPER FOR BREW UNIT M500	RACLEUR GROUPE	RASATORE GRUP.M5000 NER.
32	11003793	PIAS.ANT.GRUP.M5000 NER.	BLACK BREW UNIT FRONT PLATE M500	PLAQUE ANT. GROUPE M5000 NOIR	PIAS.ANT.GRUP.M5000 NER.
33	11004114	PIAS.AGGANC.GRUP.NER.	BLACK BREW UNIT COUPLING PLATE	PLAQUE FIXATION DU GROUPE	PIAS.AGGANC.GRUP.NER.
34	9161.075	MOLLA IMPUGNAT.GRUP.M5000	SS BREW UNIT HANDGRIP SPRING M50	RESSORT POIGNEE DE GROUPE	MOLLA IMPUGNAT.GRUP.M5000
35	11003791	IMPUGN.GRUP.M5000 NER.	BLACK BREW UNIT HANDGRIP M5000	POIGNEE DU GROUPE	IMPUGN.GRUP.M5000 NER.
36	11003800	GRUPPO CAFE' NERO	BLACK BREW UNIT	GROUPE CAFE	GRUPPO CAFE' NERO
37	12000897	VITE TCB TORX 3.5X20 PLAST.INO	SCREW TCB TORX 10 3.5X20 PLAST.S	VIS TCB TORX 10 3.5x20 Plast.Ss	SCREW TCB TORX 10 3.5X20 PLAST.S





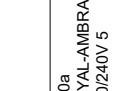

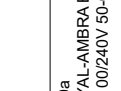
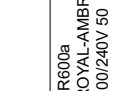
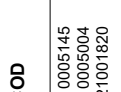


1

2

3



N.POSI COD	I - DESCRIZIONE	UK - DESCRIPTION	F - DESCRIPTION	D - BEZEICHNUNG	E - DESCRIPCION	NOTE
1	10005145 ACC FRIDGE FR7L BR9D R600a VE MOBILETTO AULIKA-ROYAL-AMBR ACC PR MANTENITORE 100/240V 50	FRIDGE FR7L BR9D R600a VE CABINET AULIKA-ROYAL-AMBRA BL ACC PR MANTENITORE 100/240V 50-6	FRIDGE FR7L BR9D R600a VE MEUBLE AULIKA-ROYAL-AMBRA BLK MILK COOLER 100/240V 50-60HZ BLK	FRIDGE FR7L BR9D R600a Unterschrank AULIKA-ROYAL-AMBRA Milchkühler 1L Phebra 100/240V 5	ACC FRIDGE FR7L BR9D R600a VE MOBILETTO AULIKA-ROYAL-AMBRA ACC PR MILK KEEPER 100/240V 50-6	
2	10005004 ACC FRIDGE FR7L BR9D R600a VE MOBILETTO AULIKA-ROYAL-AMBR ACC PR MANTENITORE 100/240V 50	FRIDGE FR7L BR9D R600a VE CABINET AULIKA-ROYAL-AMBRA BL ACC PR MANTENITORE 100/240V 50-6	FRIDGE FR7L BR9D R600a VE MEUBLE AULIKA-ROYAL-AMBRA BLK MILK COOLER 100/240V 50-60HZ BLK	FRIDGE FR7L BR9D R600a Unterschrank AULIKA-ROYAL-AMBRA Milchkühler 1L Phebra 100/240V 5	ACC FRIDGE FR7L BR9D R600a VE MOBILETTO AULIKA-ROYAL-AMBRA ACC PR MILK KEEPER 100/240V 50-6	
3	21001820 ACC FRIDGE FR7L BR9D R600a VE MOBILETTO AULIKA-ROYAL-AMBR ACC PR MANTENITORE 100/240V 50	FRIDGE FR7L BR9D R600a VE CABINET AULIKA-ROYAL-AMBRA BL ACC PR MANTENITORE 100/240V 50-6	FRIDGE FR7L BR9D R600a VE MEUBLE AULIKA-ROYAL-AMBRA BLK MILK COOLER 100/240V 50-60HZ BLK	FRIDGE FR7L BR9D R600a Unterschrank AULIKA-ROYAL-AMBRA Milchkühler 1L Phebra 100/240V 5	ACC FRIDGE FR7L BR9D R600a VE MOBILETTO AULIKA-ROYAL-AMBRA ACC PR MILK KEEPER 100/240V 50-6	
						
						
						
						
						
						
						
						Aulika Focus EVO
						15/01/2020
						10
						C0243X00
						GAGGIO MONTANO
						© by Saeco, a company of EVOCA Group



Il Costruttore si riserva il diritto di modificare, senza preavviso, le caratteristiche delle apparecchiature presentate in questa pubblicazione; declina inoltre ogni responsabilità per le eventuali inesattezze imputabili ad errori di stampa e/o trascrizione contenute nella stessa.

Le istruzioni, i disegni, le tabelle e le informazioni in genere contenute nel presente fascicolo sono di natura riservata e non possono essere riprodotte ne completamente ne parzialmente od essere comunicate a terzi senza l'autorizzazione scritta del Costruttore che ne ha la proprietà esclusiva.

The manufacturer reserves the right to modify, without prior notice, the characteristics of the equipment described in this publication; and further declines to accept any responsibility for any inaccuracies contained in this publication which can be ascribed to printing and/or transcription errors.

All instructions, drawings, tables and information contained in this publication are confidential and can neither be reproduced, completely or in part, nor be transmitted to third parties without the written permit of the Manufacturer, who has the sole ownership.

Le fabricant se réserve le droit de modifier, sans préavis, les caractéristiques des appareils présentes dans cette publication; en outre, elle decline toute responsabilité pour d'éventuelles inexactitudes imputables à des erreurs d'impression et/ou de transcription.

Tous droits de reproduction, complète ou partielle, des instructions, des dessins, des tableaux et de toutes les informations contenues dans cette publication sont réservés. Aucune communication à un tiers ne peut être faite sans une autorisation par écrit du Constructeur qui en a la propriété exclusive.

Der Hersteller behält sich das Recht vor, die Eigenschaften der hier beschriebenen Geräte ohne Voranzeige zu ändern und lehnt gleichzeitig jede Verantwortung für mögliche Unrichtigkeiten ab, die auf Druckfehler oder Abschreibfehler zurückzuführen sind.

Alle Anweisungen, Zeichnungen, Tabellen und Informationen, die im allgemeinen im vorliegenden Band enthalten sind, müssen als vertraulich betrachtet werden und können weder teilweise noch vollständig reproduziert bzw an Dritte ohne die schriftliche Ermächtigung des Herstellers weitergegeben werden, der das Alleineigentum besitzt.

El Constructor se reserva el derecho de modificar, sin previo aviso, las características de los aparatos presentados en esta publicación; además declina toda responsabilidad por los eventuales inexactitudes imputables a errores de imprenta y/o transcripción contenidos en la misma.

Las introducciones, los dibujos, las tablas y las informaciones en general contenidos en este fascículo son de tipo reservado y no se pueden reproducir, completamente o en parte, ni comunicar a terceros si la autorización escrita del Fabricante, el cual tiene la propiedad exclusiva.

